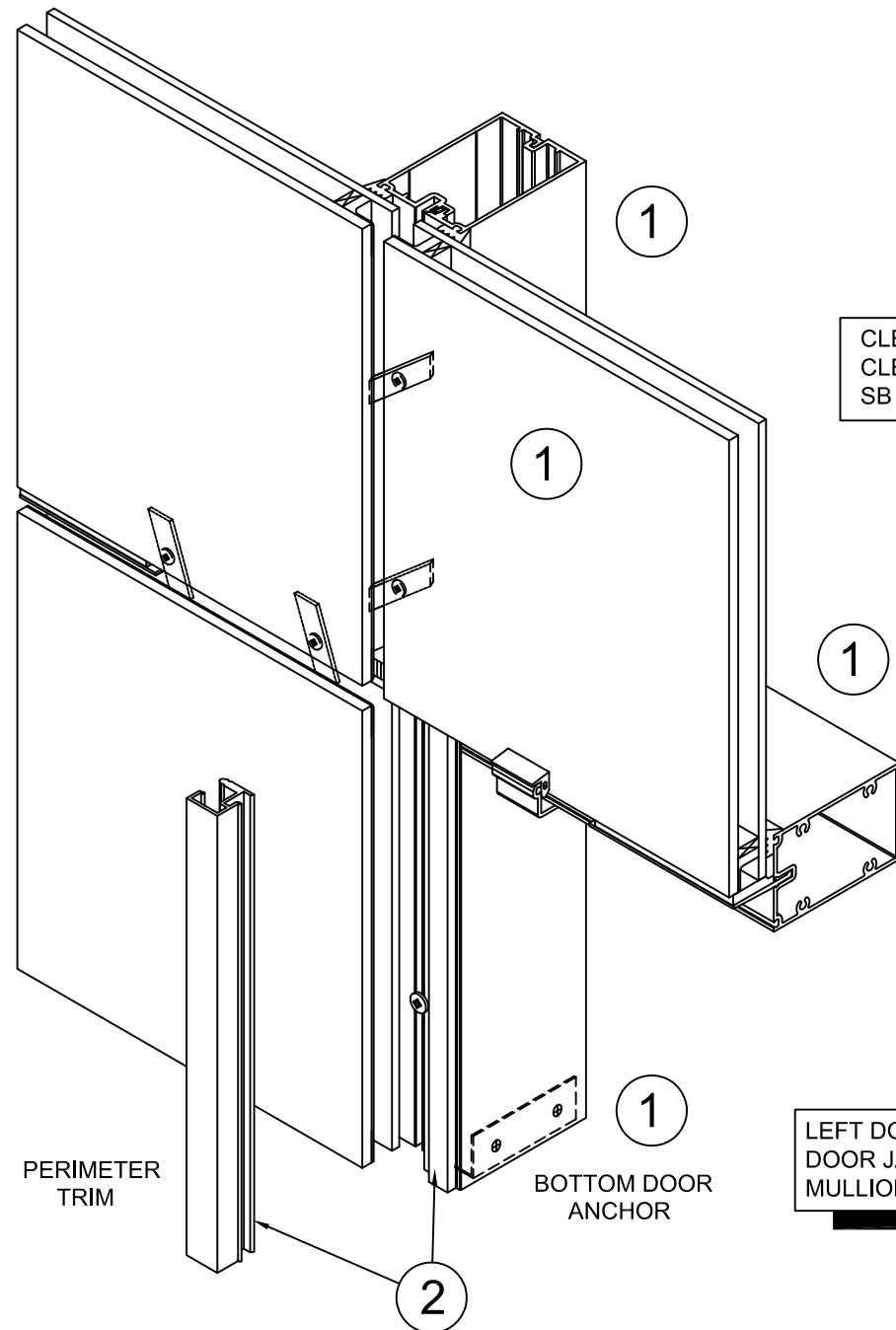


DOOR APPLICATION

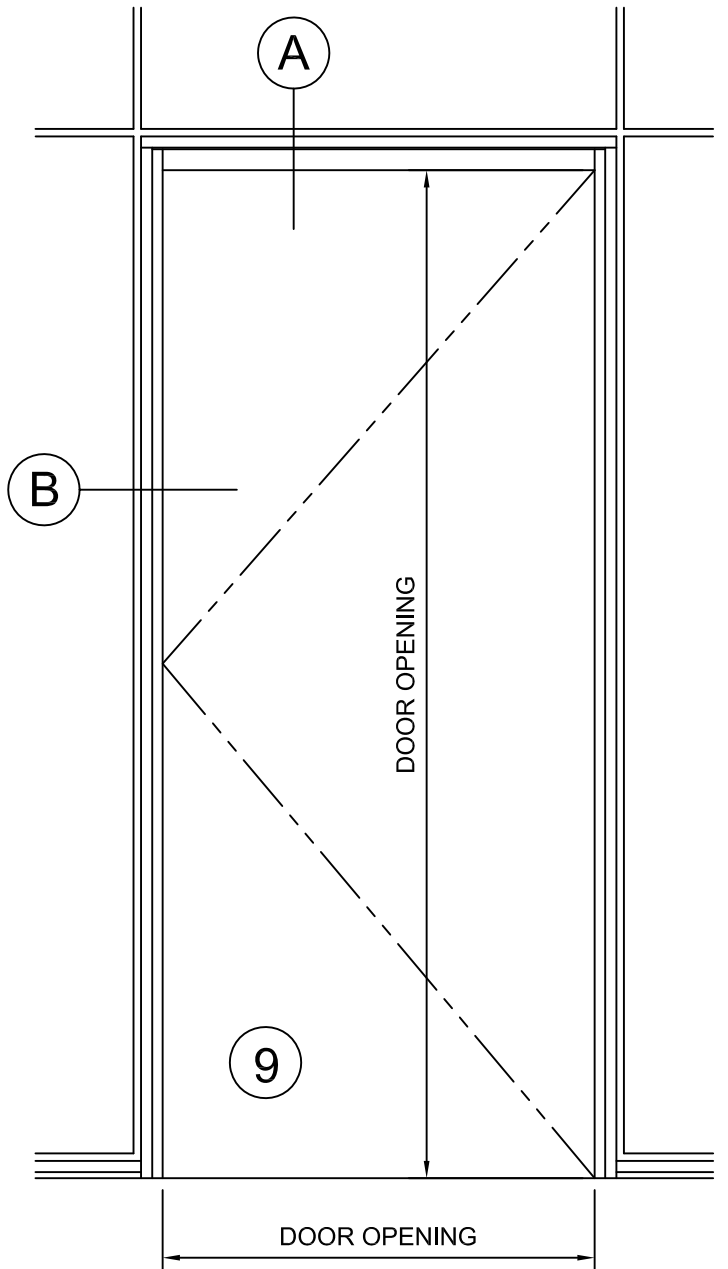
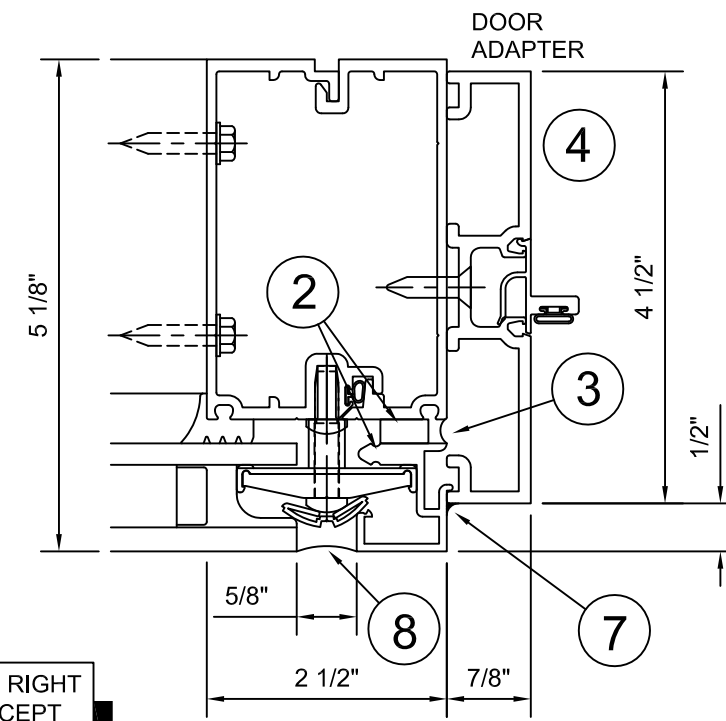
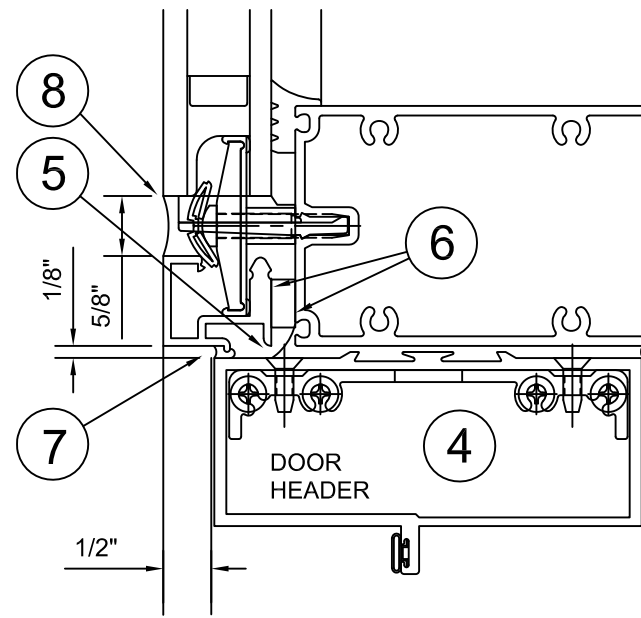
Use these instructions in conjunction with installation instructions 172970 or 172971 and approved shop drawings.

1. Install all framing members, bottom door anchors and glass per standard instructions and approved shop drawings. Mullion halves immediately beside door will run to the floor. Match drill .154 dia. holes [#23 drill] in bottom door anchors and apply 128-910 fasteners. Glazing temps at bottom of glass lite above the door are to remain in place.
2. Install vertical tape and vertical perimeter trim only around door opening. Apply toggle assemblies at verticals.
3. Seal along tape at verticals between perimeter trim and mullion at door opening, fillet seal around bottom of mullion half and marry to the perimeter seal at the face of the mullion tube at sill.
4. Install door adapters and door header per approved shop drawings.
5. Apply fillet seal along bottom of door head horizontal and top of door header and marry sealant to the seal between the vertical perimeter trim and vertical.
6. Install tape and perimeter trim at door head horizontal. Apply toggle assemblies.
7. Apply seal at face of door adapters and door header to perimeter trim.
8. Install backer and weather seals.
9. Install doors as required.



CLEARWALL SS APPLICATION SHOWN.
CLEARWALL SSI / SSIT AND CLEARWALL
SB / SBI / SBIT APPLICATIONS SIMILAR

LEFT DOOR JAMB SHOWN, RIGHT
DOOR JAMB OPPOSITE EXCEPT
MULLION ORIENTATION



172975

CONFIDENTIAL AND PROPRIETARY INFORMATION
KAWNEER COMPANY INC.

THESE DRAWINGS ARE THE SOLE AND EXCLUSIVE PROPERTY OF KAWNEER AND CONTAIN SENSITIVE, PRIVILEGED OR CONFIDENTIAL INFORMATION WHICH MAY BE USED ONLY FOR ITS BENEFIT. THE DISCLOSURE OF THESE DRAWINGS TO UNAUTHORIZED PERSONS IS STRICTLY PROHIBITED. THIS DOCUMENT AND ALL COPIES MUST BE RETURNED UPON DEMAND.
© COPYRIGHT KAWNEER COMPANY, INC., 2010



Product Engineering & Development

95514-018
12/20/16

CLEARWALL™
DOOR ADAPTER
INSTALLATION
INSTRUCTIONS

172975