

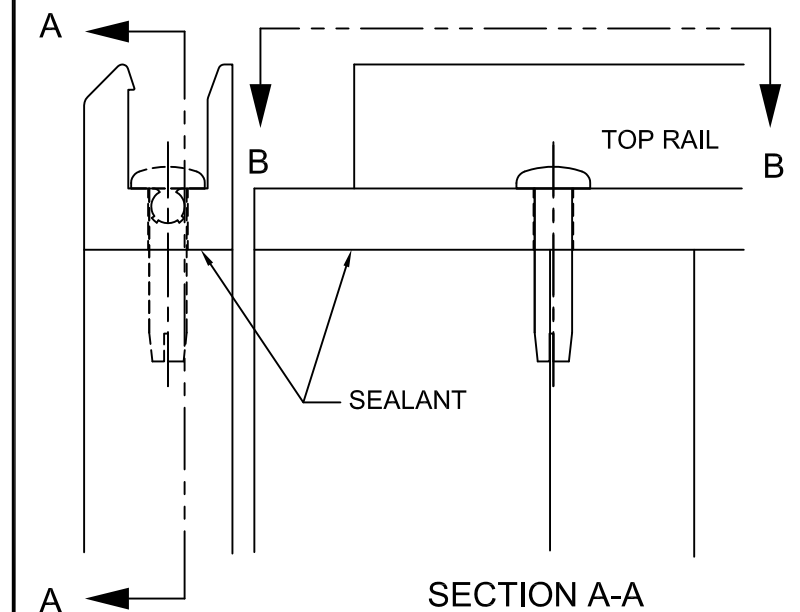
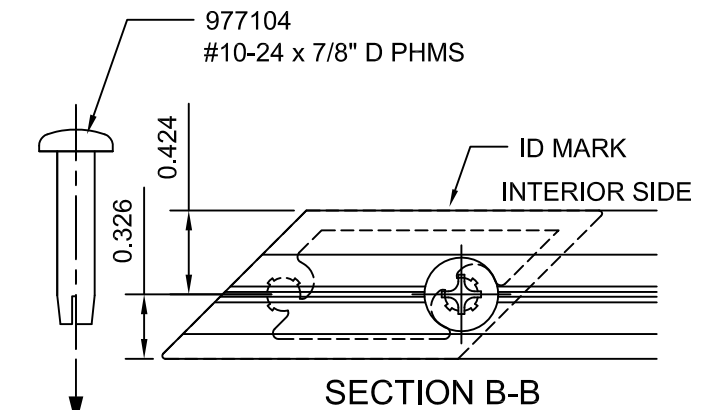
CONFIDENTIAL AND PROPRIETARY INFORMATION  
KAWNEER COMPANY INC.

THESE DRAWINGS ARE THE SOLE AND EXCLUSIVE PROPERTY OF KAWNEER AND CONTAIN SENSITIVE, PRIVILEGED OR CONFIDENTIAL INFORMATION WHICH MAY BE USED ONLY FOR ITS BENEFIT. THE DISCLOSURE OF THESE DRAWINGS TO UNAUTHORIZED PERSONS IS STRICTLY PROHIBITED. THIS DOCUMENT AND ALL COPIES MUST BE RETURNED UPON DEMAND.  
© COPYRIGHT KAWNEER COMPANY, INC., 2011

AT CLEARWALL™ SSI AND SSIT

VERTICAL CORNER INTERFACE

FOLLOW STANDARD INSTALLATION INSTRUCTIONS. IN LIEU OF 127162 TAPE SQUARE, USE SEALAT AT JOINTS BETWEEN INTERFACE PARTS. JOIN VERTICAL INTERFACE TO HORIZONTAL INTERFACE AND FIX TOGETHER WITH A 977104 THREAD CUTTING SCREW. ATTACH ALL FOUR CORNERS TOGETHER IN A SIMILAR MANNER TO MAKE A SQUARE OR RECTANGULAR FRAME.



**KAWNEER**  
AN ARCONIC COMPANY  
Product Engineering & Development

**CLEARWALL™  
SS/SSI/SSIT CORNER  
INSTALLATION  
INSTRUCTIONS**

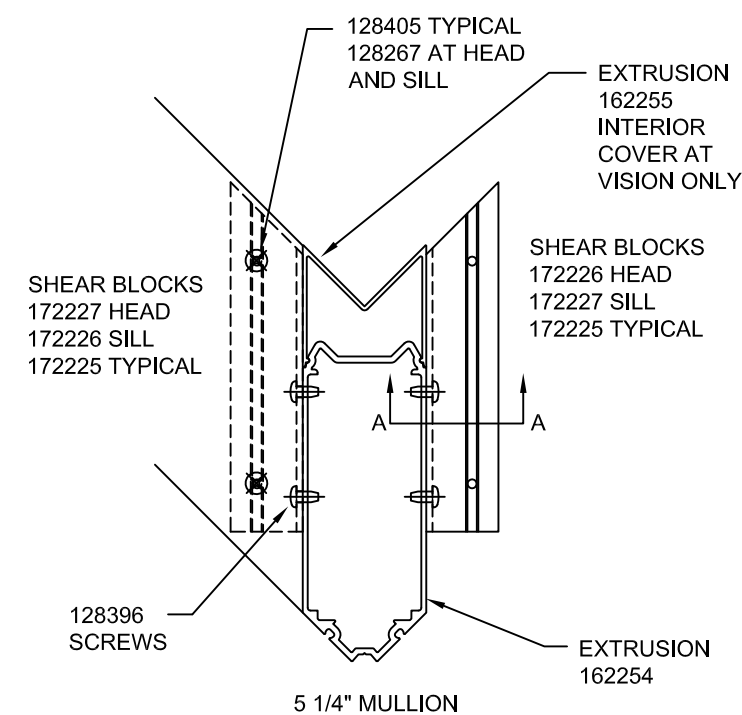
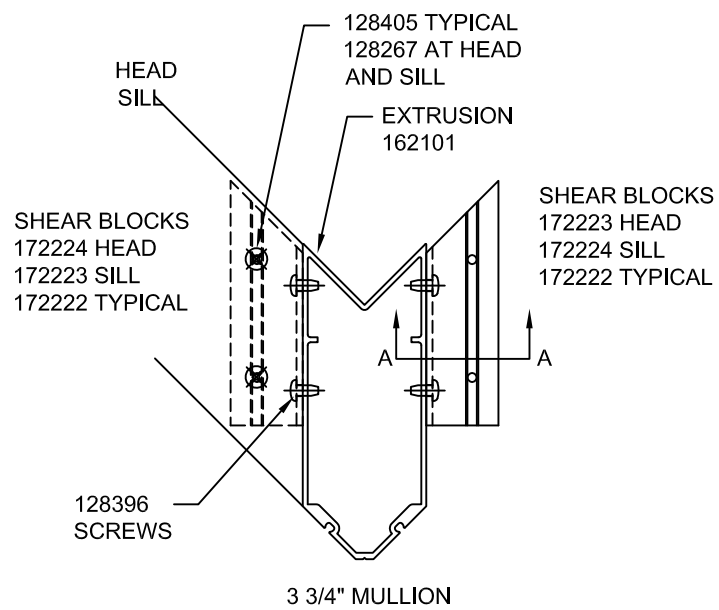
USE THESE INSTRUCTIONS IN CONJUNCTION WITH INSTALLATION INSTRUCTIONS 172970.

GLAZING TEMPORARIES ARE NOT INCLUDED FOR CORNER CONDITIONS.

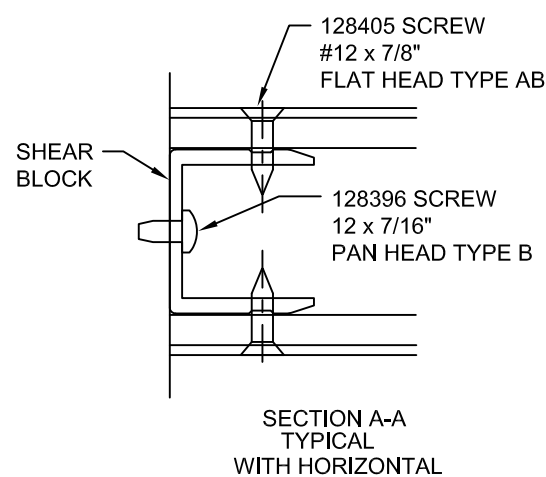
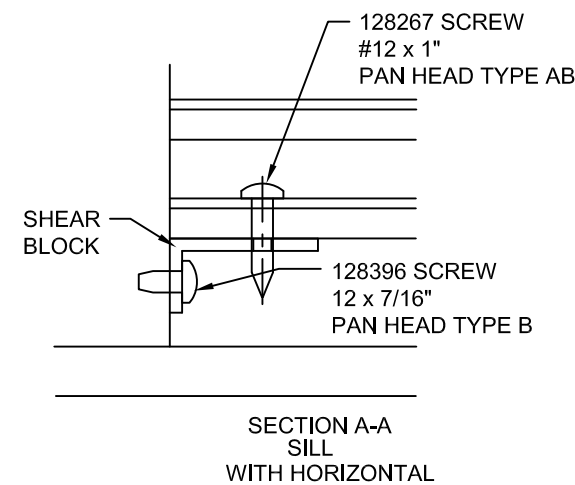
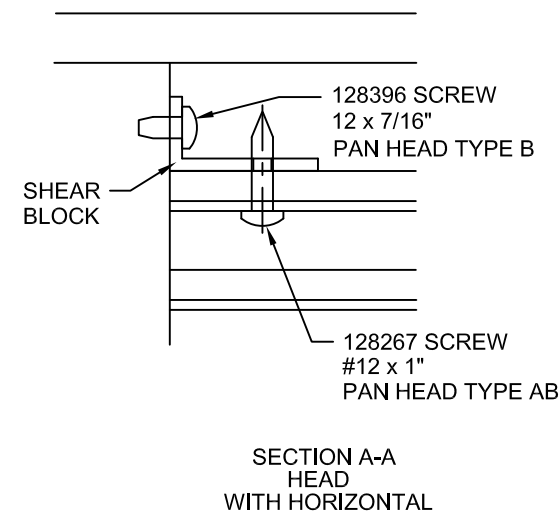
90° OUTSIDE CORNER

SHEAR BLOCK ASSEMBLY

NOTE:  
REFERENCE APPROVED SHOP DRAWING FOR HORIZONTAL TYPES AND LOCATIONS. PLEASE NOTE THAT HEAD AND SILL SHEAR BLOCKS ARE OPPOSITES FOR EACH SIDE OF MULLION.

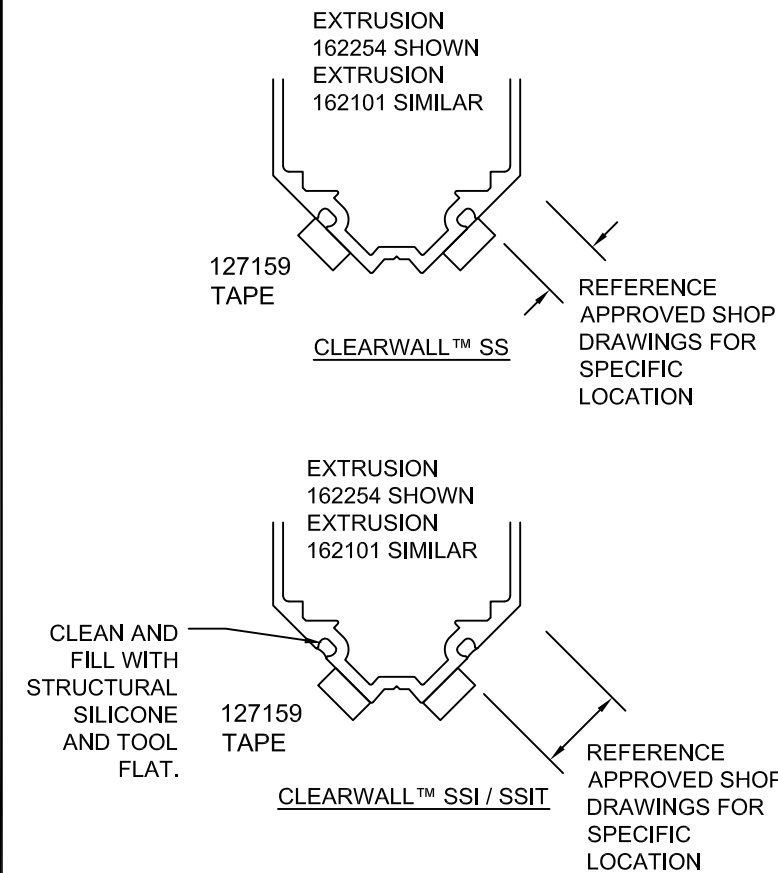


SHEAR BLOCK ASSEMBLY



CORNER GLAZING TAPE

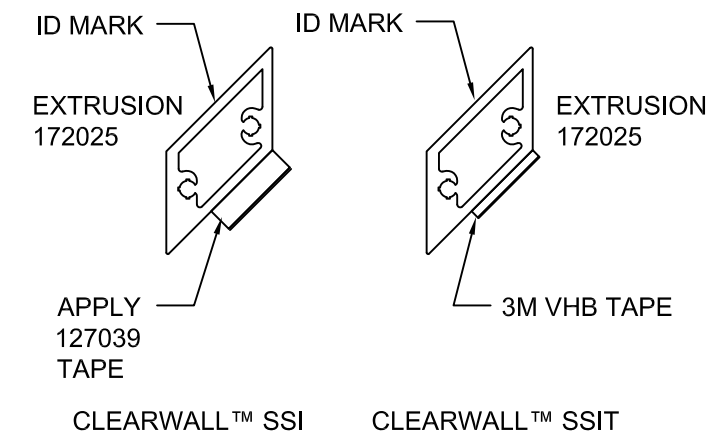
APPLY 127159 TAPE ALONG CORNER VERTICAL AT LOCATION SHOWN IN APPROVED SHOP DRAWINGS. LEAVE OUTSIDE LINER ON TAPE UNTIL READY TO GLAZE. APPLY INTERIOR GASKETS PER STANDARD INSTALLATION INSTRUCTIONS.



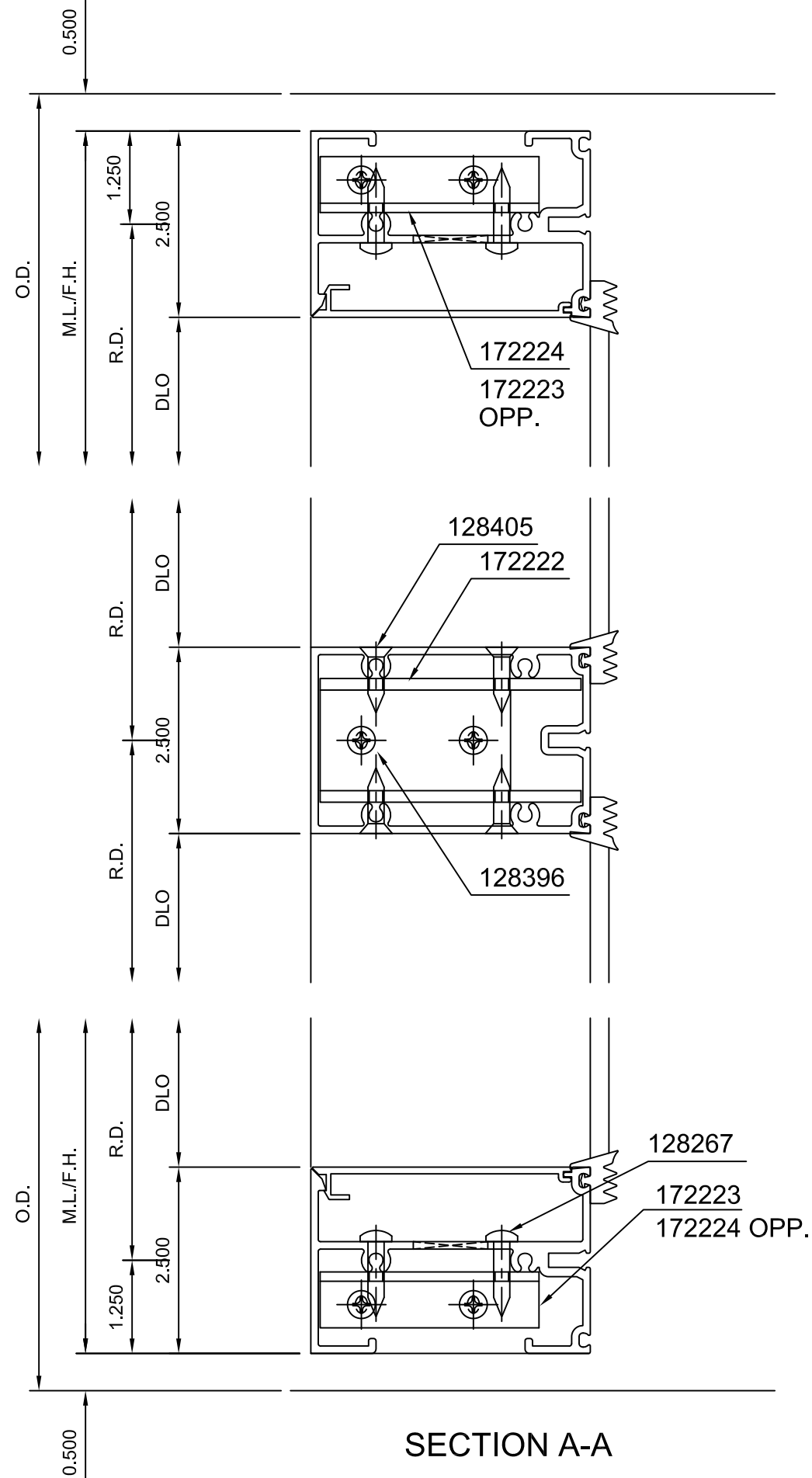
AT CLEARWALL™ SSI AND SSIT

VERTICAL CORNER INTERFACE

PLEASE NOTE LOCATION OF ID MARK ON VERTICAL CORNER INTERFACE. THIS ID MARK WILL ALWAYS BE TOWARD THE INTERIOR. THE INTERFACE IS NOT SYMMETRICAL. LEAVE OUTSIDE LINER IN PLACE UNTIL READY TO GLAZE GLASS.



THESE DRAWINGS ARE THE SOLE AND EXCLUSIVE PROPERTY OF KAWNEER AND CONTAIN SENSITIVE, PRIVILEGED OR CONFIDENTIAL INFORMATION WHICH MAY BE USED ONLY FOR ITS BENEFIT. THE DISCLOSURE OF THESE DRAWINGS TO UNAUTHORIZED PERSONS IS STRICTLY PROHIBITED. THIS DOCUMENT AND ALL COPIES MUST BE RETURNED UPON DEMAND.  
© COPYRIGHT KAWNEER COMPANY, INC., 2011



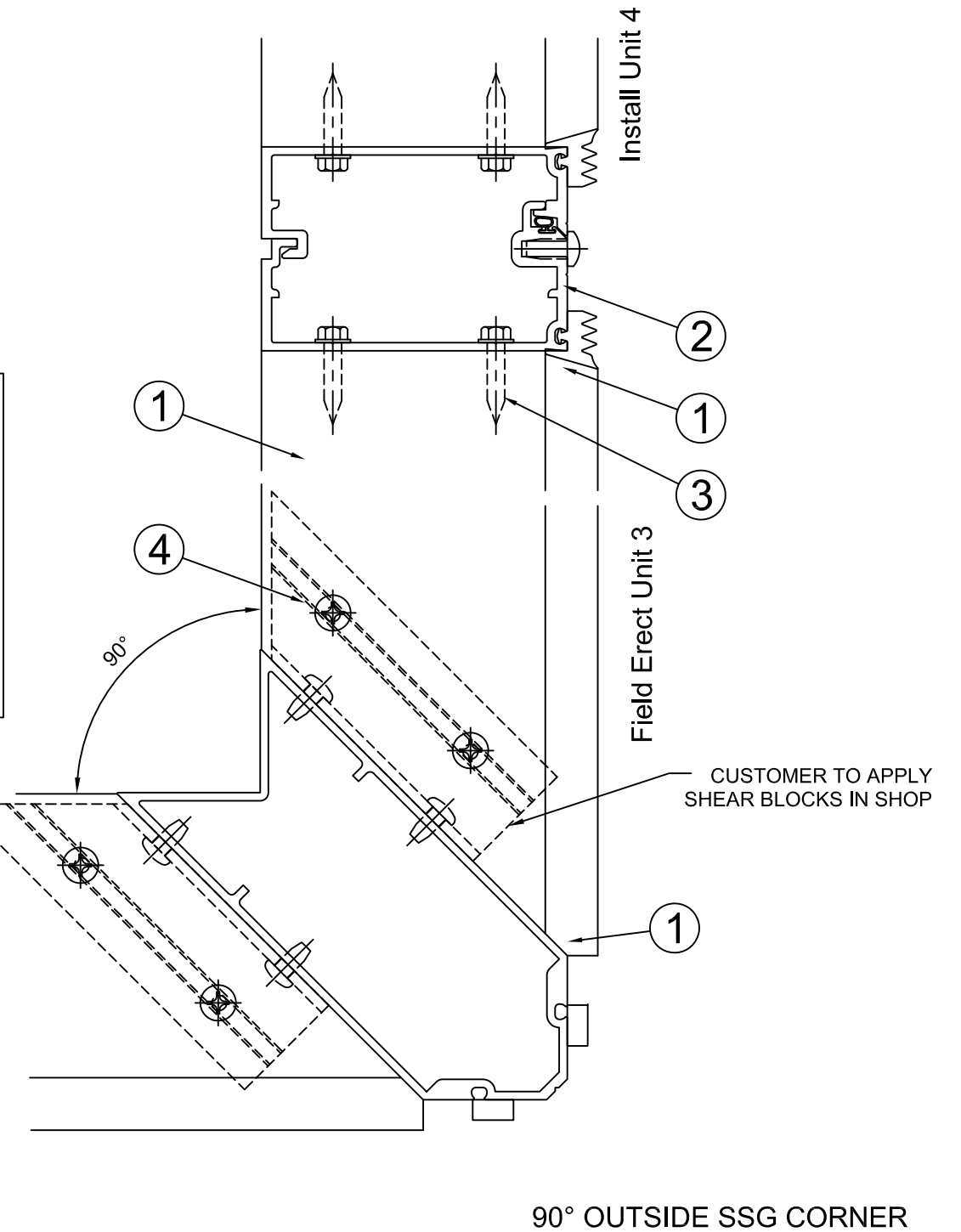
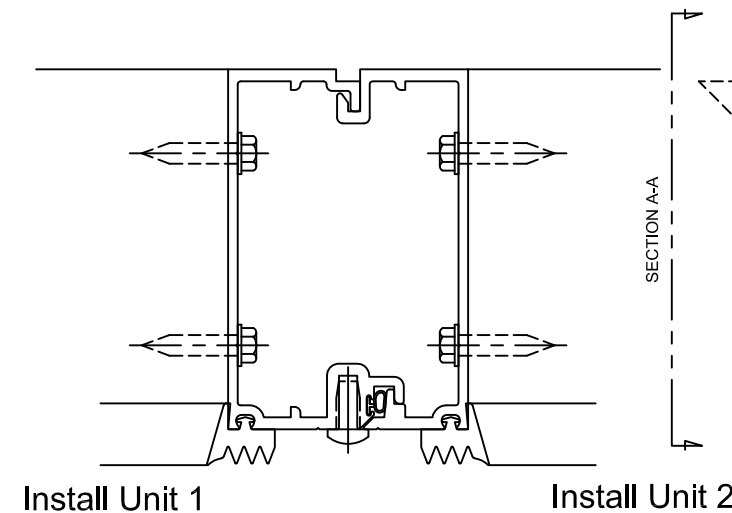
UNITS 1 AND 4 ARE TYPICAL CLEARWALL™ SS FRAME UNITS ASSEMBLED IN THE SHOP.

UNIT 2 IS A CLEARWALL™ SS MULLION HALF, HORIZONTALS, CORNER SHEAR BLOCKS, ANCHOR ANGLES AND A 1600 SYSTEM 2 CORNER MULLION AND CORNER T-ANCHOR. UNIT IS ASSEMBLED IN THE SHOP. SHEAR BLOCKS ON THE RIGHT SIDE OF THE CORNER MULLION CAN BE APPLIED IN THE SHOP.

UNIT 3 IS FIELD ASSEMBLED USING CLEARWALL™ SS HORIZONTALS AND MULLION HALF. ANCHOR ANGLES CAN BE APPLIED TO THE MULLION HALF IN THE SHOP.

UNIT 3 ERECTION SEQUENCE:

1. APPLY INTERMEDIATE HORIZONTALS AND SEALS PER STANDARD INSTALLATION INSTRUCTIONS
2. APPLY MULLION HALF
3. INSTALL FRAMING FASTENERS AT MULLION HALF
4. INSTALL FASTENERS AT SHEAR BLOCKS
5. APPLY PERIMETER FASTENER ANCHORS AT HEAD AND SILL
6. INSPECT SEALS AND REPAIR AS NEEDED
7. APPLY INTERIOR GASKETS AND SG TAPE
8. REFERENCE INSTALLATION INSTRUCTIONS AND APPROVED SHOP DRAWINGS FOR ADDITIONAL PART APPLICATIONS



3 3/4" MULLION DEPTH SHOWN  
5 1/4" MULLION DEPTH SIMILAR

		<b>CLEARWALL™ SS/SSI/SSIT CORNER INSTALLATION INSTRUCTIONS</b>
Product Engineering & Development		
95514-018 12/20/16	172972 SHEET 02 OF 02	