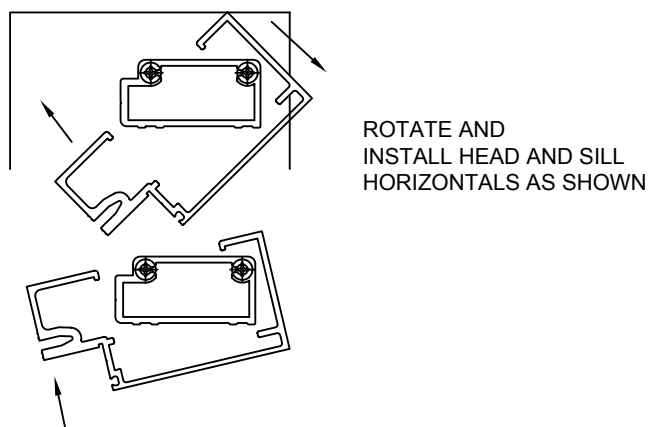
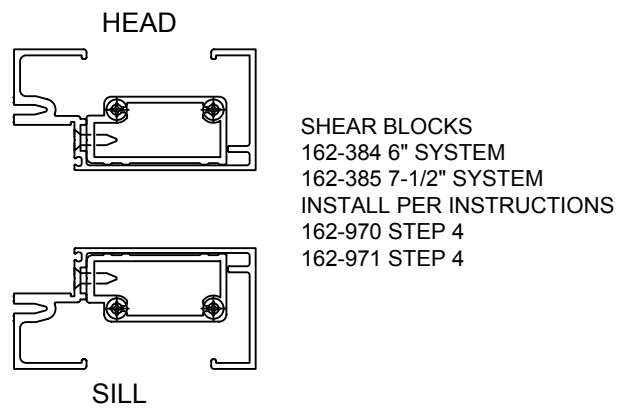
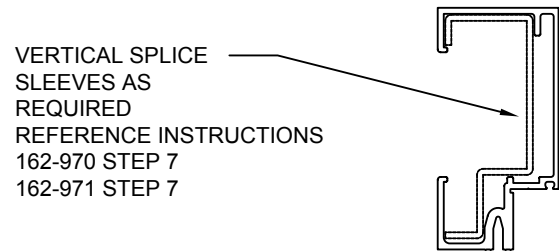
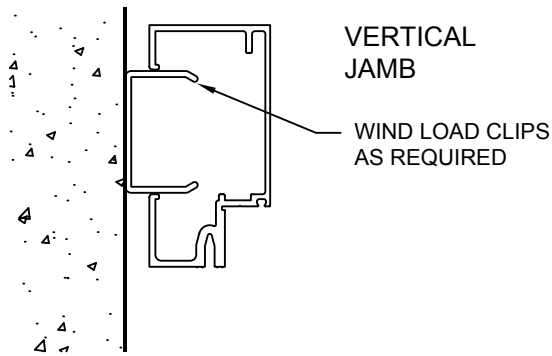
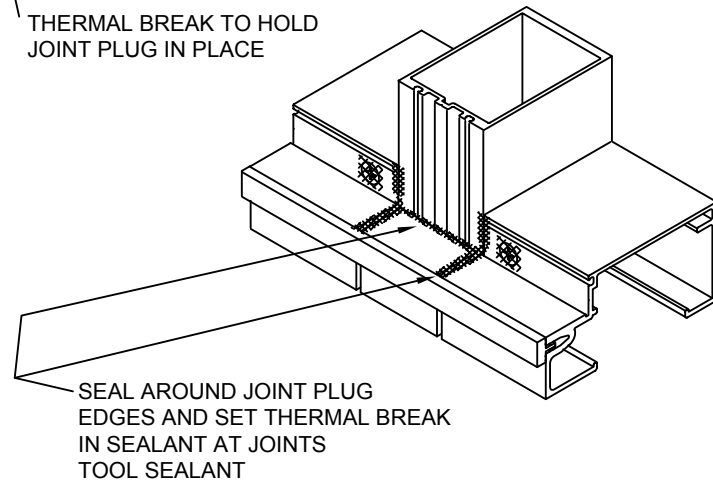
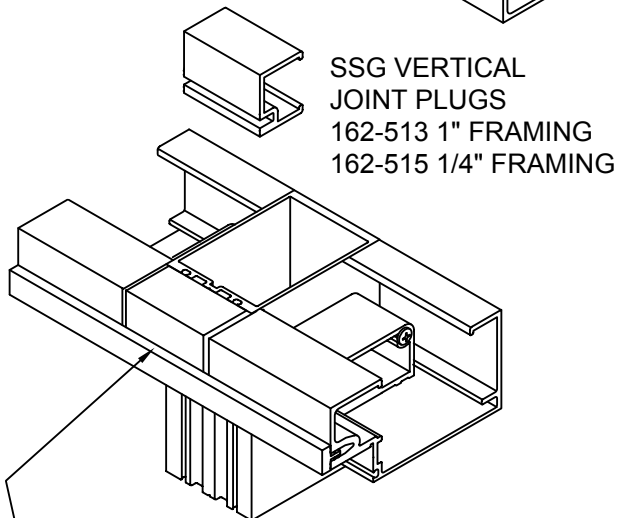
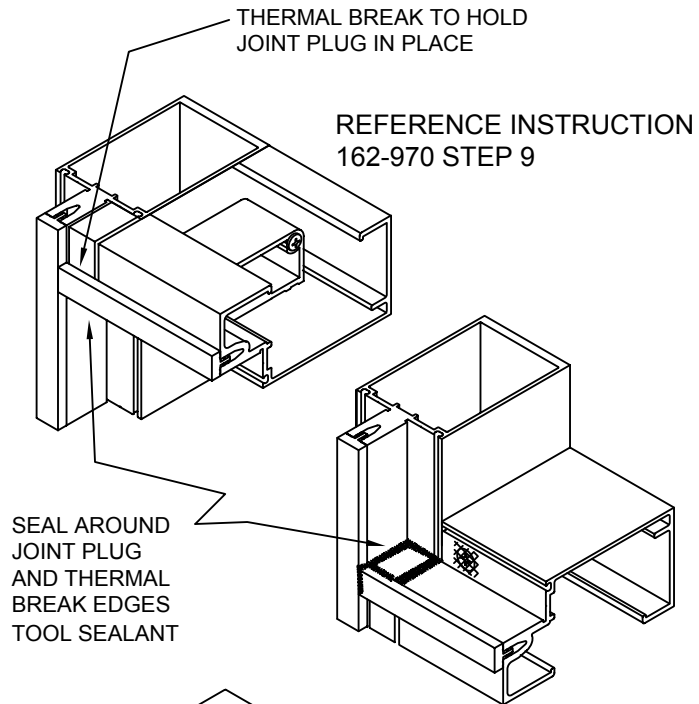


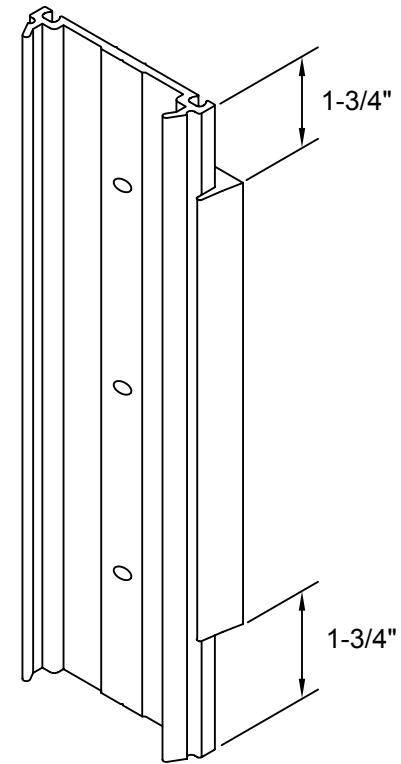
USE THESE INSTRUCTIONS IN CONJUNCTION WITH INSTALLATION INSTRUCTIONS 162-970 SHEETS 1 THRU 9 AND 162-971 SHEETS I THRU 12



CAPTURED VERTICAL JOINT PLUGS
162-512 1" FRAMING
162-514 1/4" FRAMING

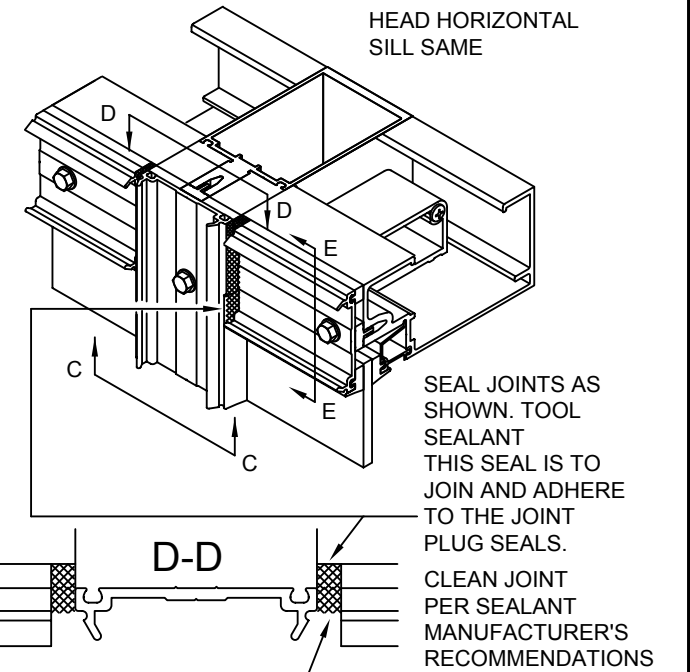
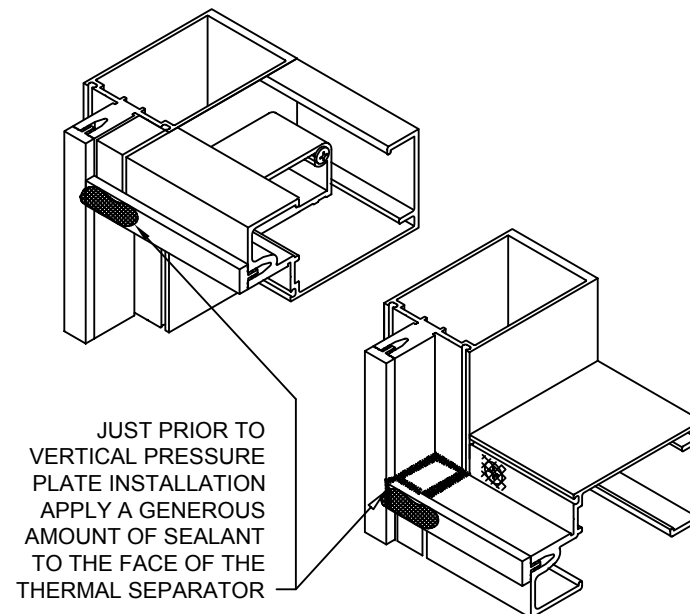


INSTALL VERTICAL PRESSURE PLATE GASKETS PER STEP 14 IN INSTRUCTION 162-970 EXCEPT STOP VERTICAL GASKETS SHORT DIMENSION SHOWN BELOW

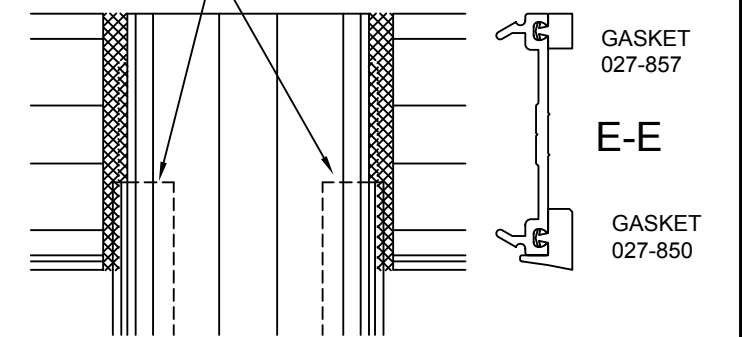


REMAINDER OF STEPS TO BE PER INSTRUCTIONS 162-970 AND 162-971

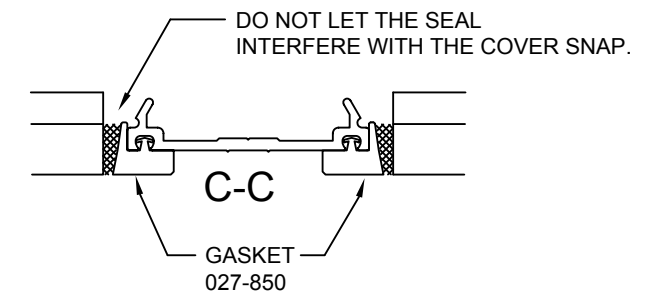
REFERENCE STEP 17 INSTRUCTIONS 162-970



VERTICAL GASKET STOPS 1-3/4" SHORT OF END.
DO NOT LET THE SEAL INTERFERE WITH THE COVER SNAP.



FACE VIEW



KAWNEER

1600 SYSTEM¹ / SYSTEM²
INSTALLATION INSTRUCTIONS
EXTERIOR FRAME PERIMETERS

PART NO.
162-983 1 OF 1

95449-87
02/17/12

DRAWING:

ORDER:

SHT: