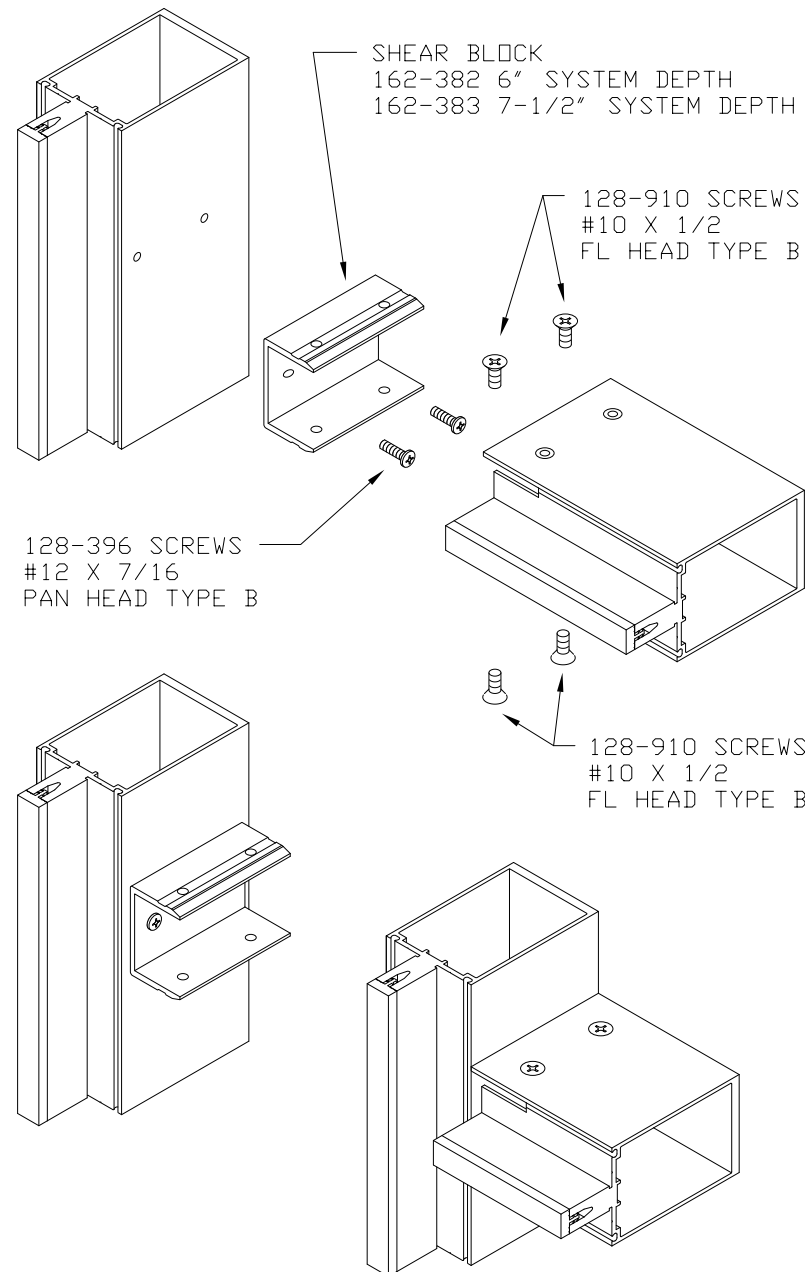
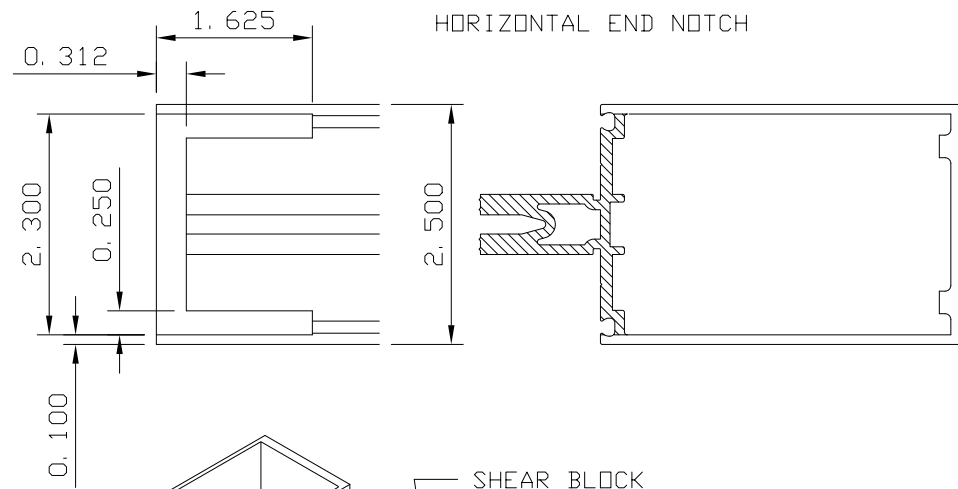
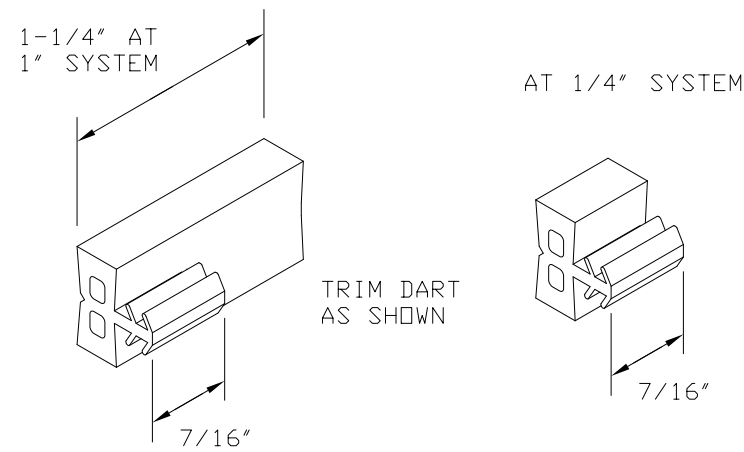


USE THESE INSTRUCTIONS IN CONJUNCTION WITH INSTALLATION INSTRUCTIONS 162-970 FOR SYSTEM¹ 162-971 FOR SYSTEM²



FABRICATE JOINT PLUG EXTENSION FROM 162-310 THERMAL BRAKE MATERIAL

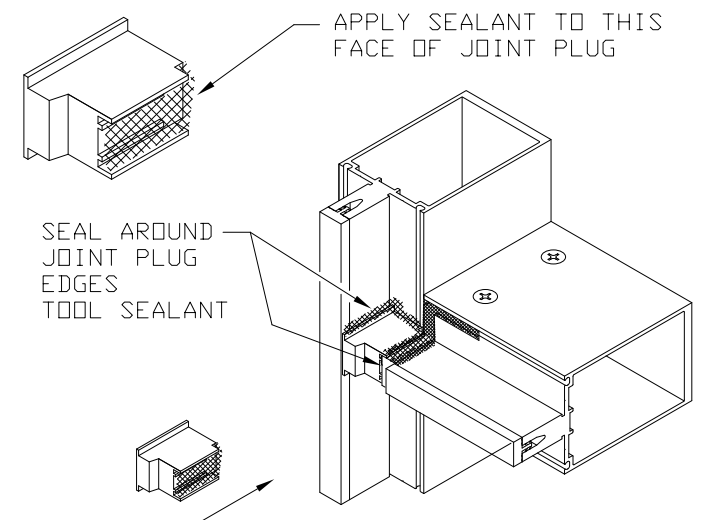
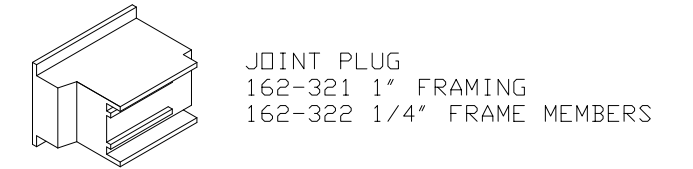
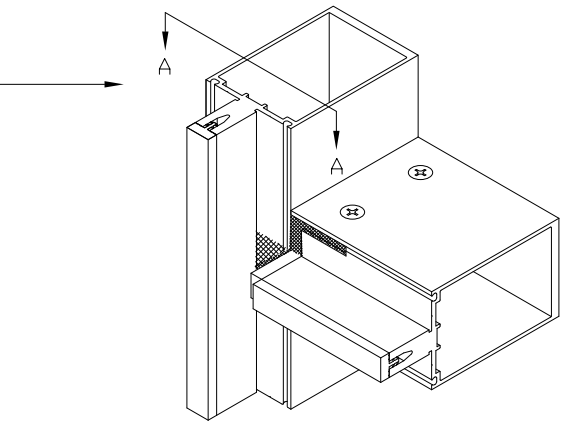
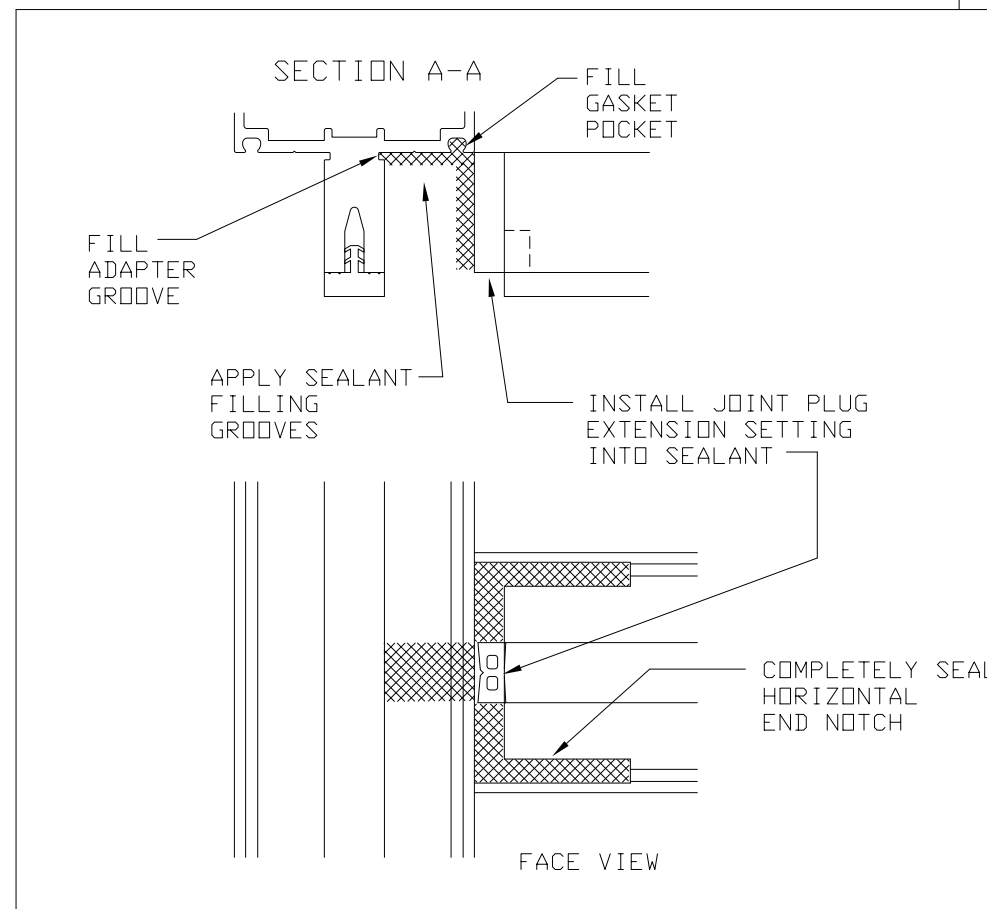


ALL SURFACES AND GROOVES MUST BE CLEANED PER THE SEALANT MANUFACTURER'S RECOMMENDATIONS.

JUST BEFORE INSTALLING JOINT PLUGS

INSTALL JOINT PLUG EXTENSION INTO TONGUE END, SETTING INTO SEALANT COMPLETELY SEAL END NOTCH

APPLY SEALANT AS SHOWN FILLING GASKET POCKET AND ADAPTER GROOVE.



Kawneer
An Alcoa Company
1600 SLIP-ON HORIZONTAL
INSTALLATION INSTRUCTIONS
PART NO.
162-982 1 OF 1

95449-51
5/31/01
DRAWING:
ORDER:
SHT: