

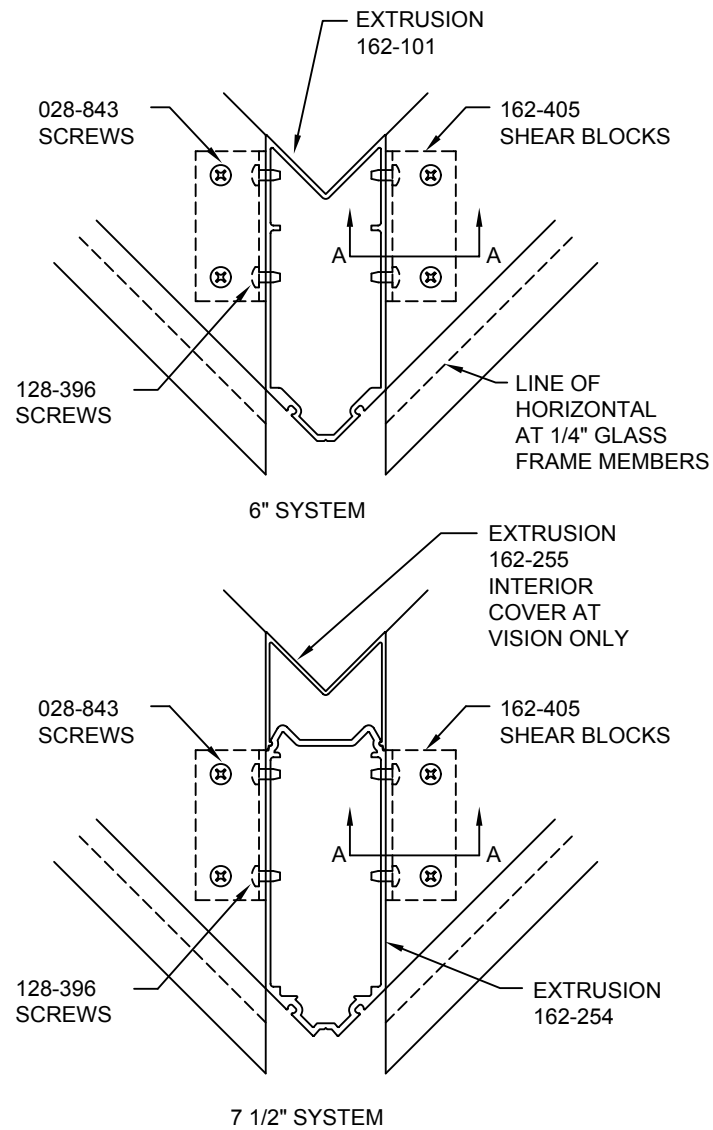
USE THESE INSTRUCTIONS IN CONJUNCTION WITH INSTALLATION INSTRUCTIONS 162-971.

GLAZING TEMPORARIES ARE NOT INCLUDED FOR CORNER CONDITIONS.

90° OUTSIDE CORNER

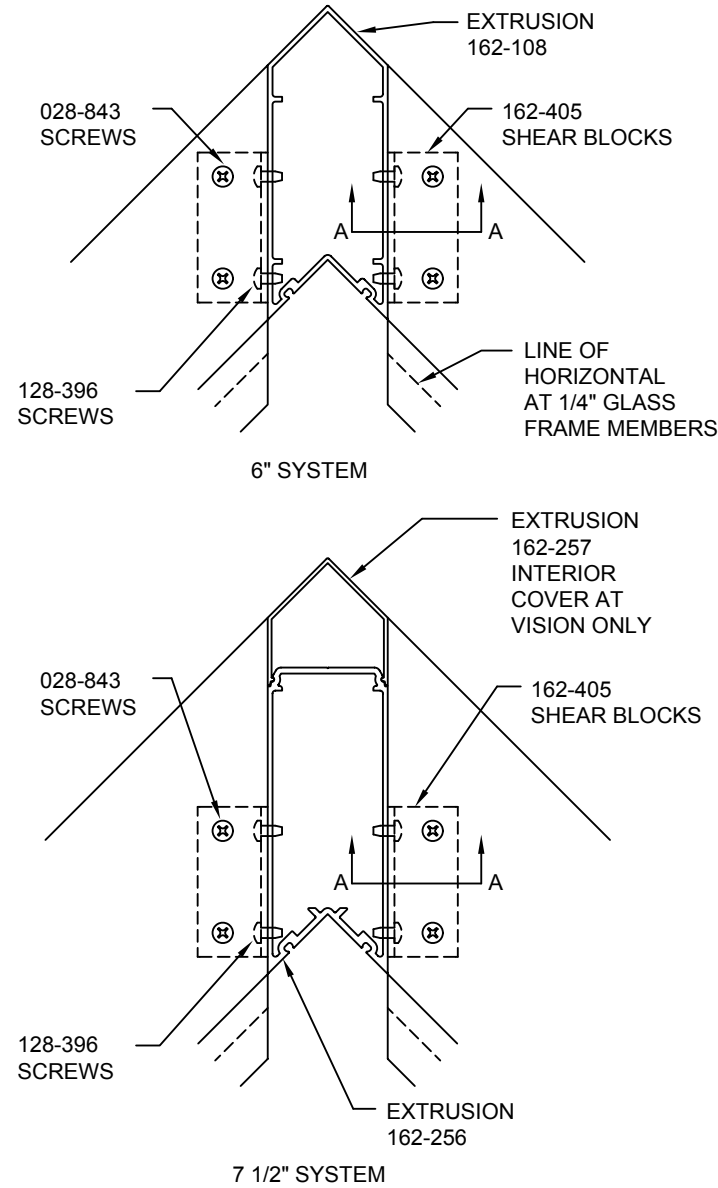
SHEAR BLOCK ASSEMBLY

NOTE:
USE TUBULAR HORIZONTALS WHERE POSSIBLE. WHEN USING OPEN BACK HORIZONTALS AT CORNER MULLIONS, OPEN BACK FILLER AND HORIZONTAL MAY INTERFERE WITH SHEAR BLOCK. NOTCH PARTS FOR CLEARANCE AS NECESSARY.

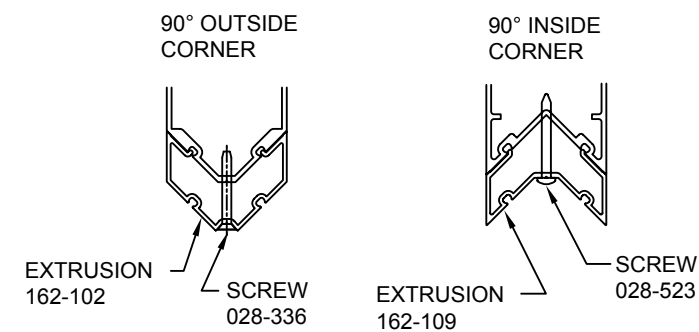


90° INSIDE CORNER

SHEAR BLOCK ASSEMBLY

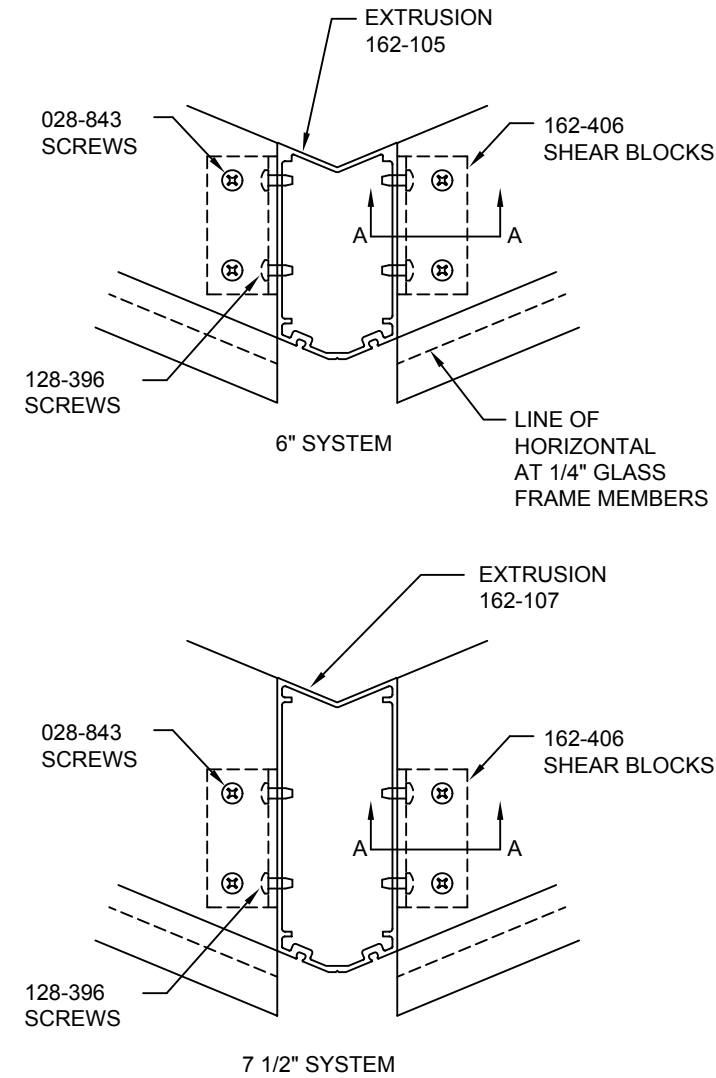


SPANDREL ADAPTERS

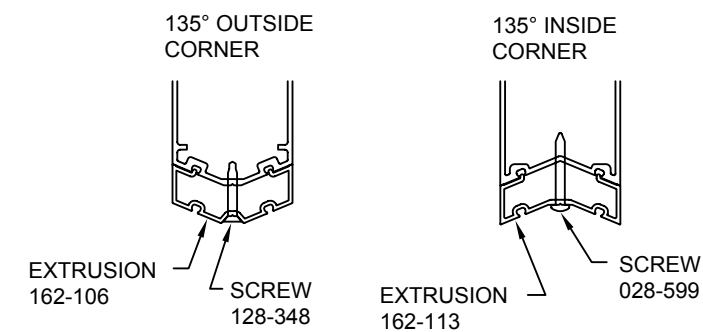


135° OUTSIDE CORNER

SHEAR BLOCK ASSEMBLY

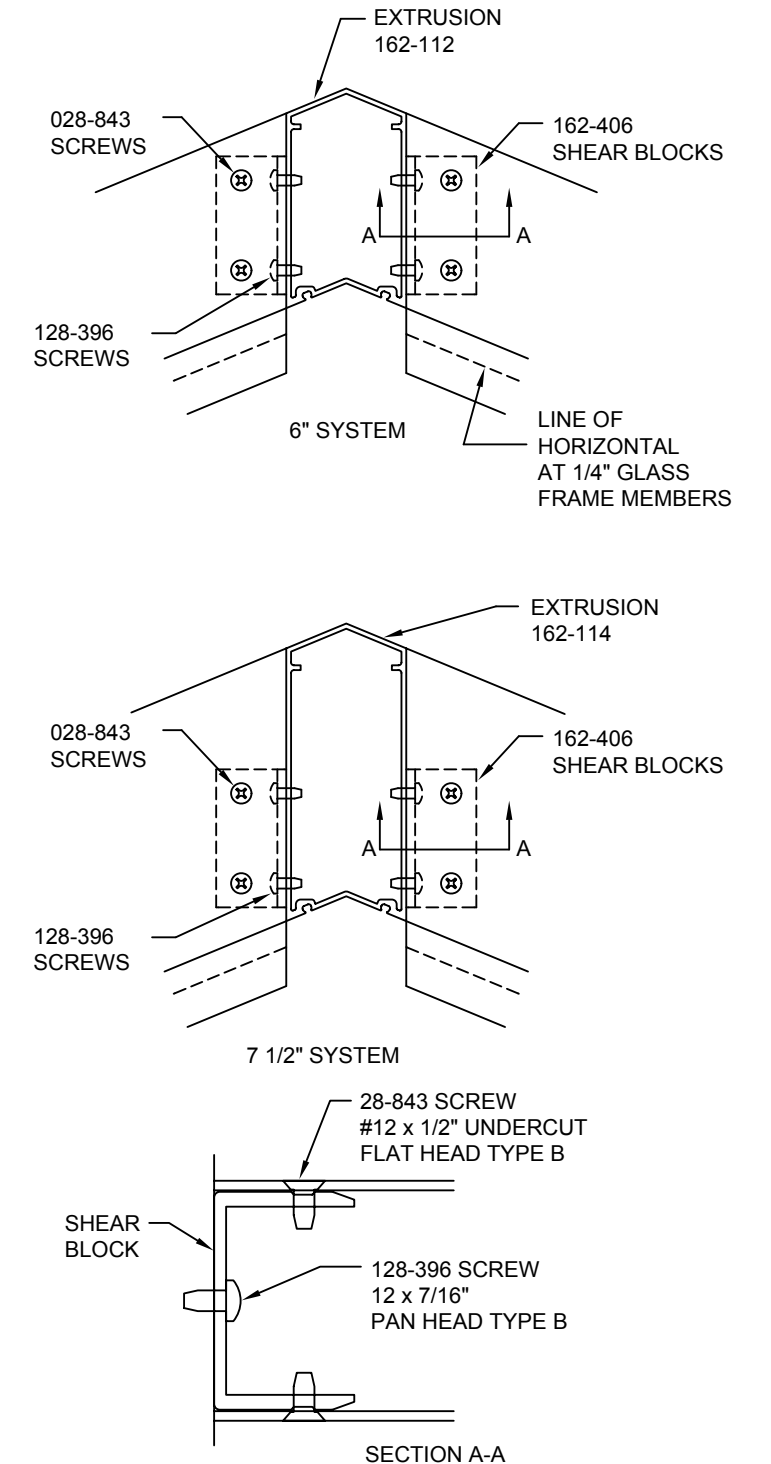


SPANDREL ADAPTERS



135° INSIDE CORNER

SHEAR BLOCK ASSEMBLY



KAWNEER
1600 SYSTEM²
CORNER INSTRUCTIONS

PART NUMBER
162-973 1 OF 3

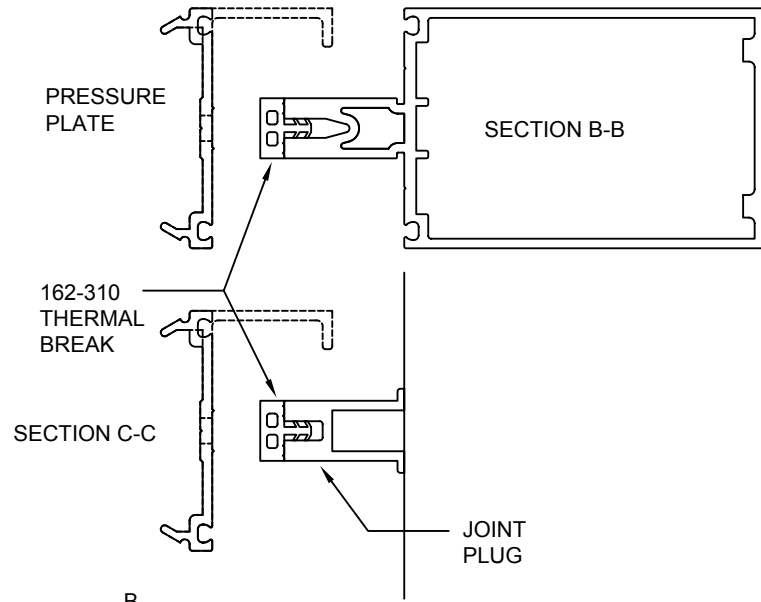
95449-87
02/17/12
DRAWING:
ORDER:
SHT:

USE THESE INSTRUCTIONS IN CONJUNCTION WITH INSTALLATION INSTRUCTIONS 162-971.

JOINT PLUG ASSEMBLY

TYPICAL HORIZONTALS

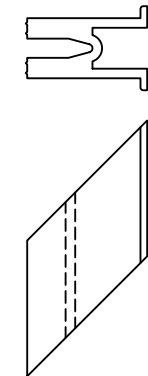
1" GLASS FRAME MEMBERS SHOWN
1/4" FRAME MEMBERS SIMILAR.



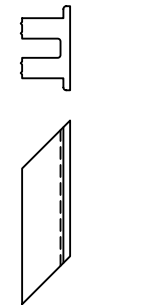
INSTALLATION SEQUENCE

- 1-SEAL VERTICAL MULLION GROOVES AND HORIZONTAL END AS SHOWN IN INSTRUCTIONS 162-971 ON SHEET #5, STEP #9.
- 2-INSTALL JOINT PLUGS USING THE 162-310 THERMAL BREAK TO HOLD THE PLUG IN PLACE.
- 3-SEAL JOINT PLUG AND THERMAL BREAK JOINTS AS SHOWN.
- 4-DURING GLAZING, PRESSURE PLATE TO BE CUT AS SHOWN AND COMPLETELY SEALED.

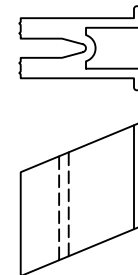
162-407 ALUMINUM JOINT PLUG 1" GLASS FRAME MEMBERS 90° CORNERS



162-409 ALUMINUM JOINT PLUG 1/4" GLASS FRAME MEMBERS 90° CORNERS



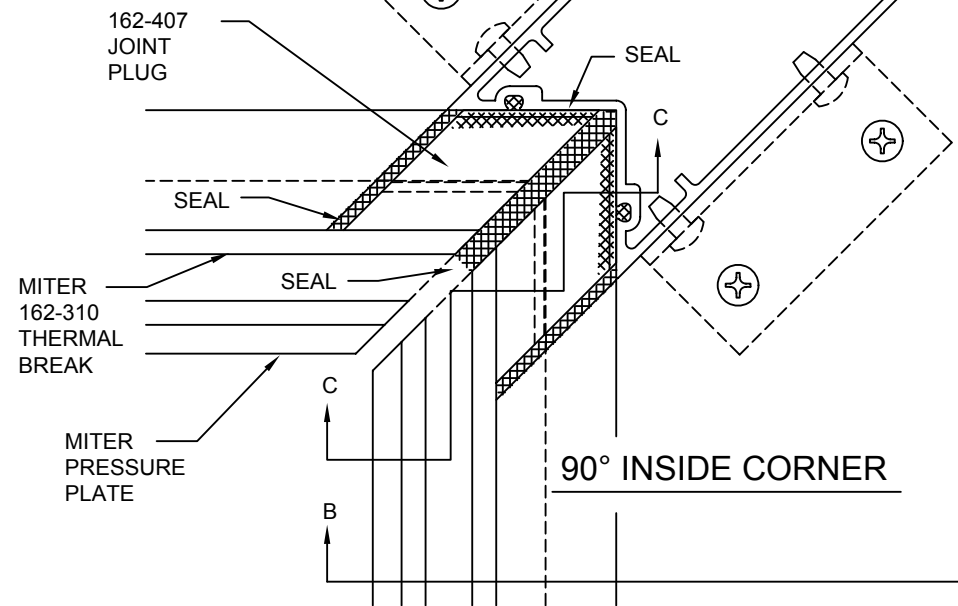
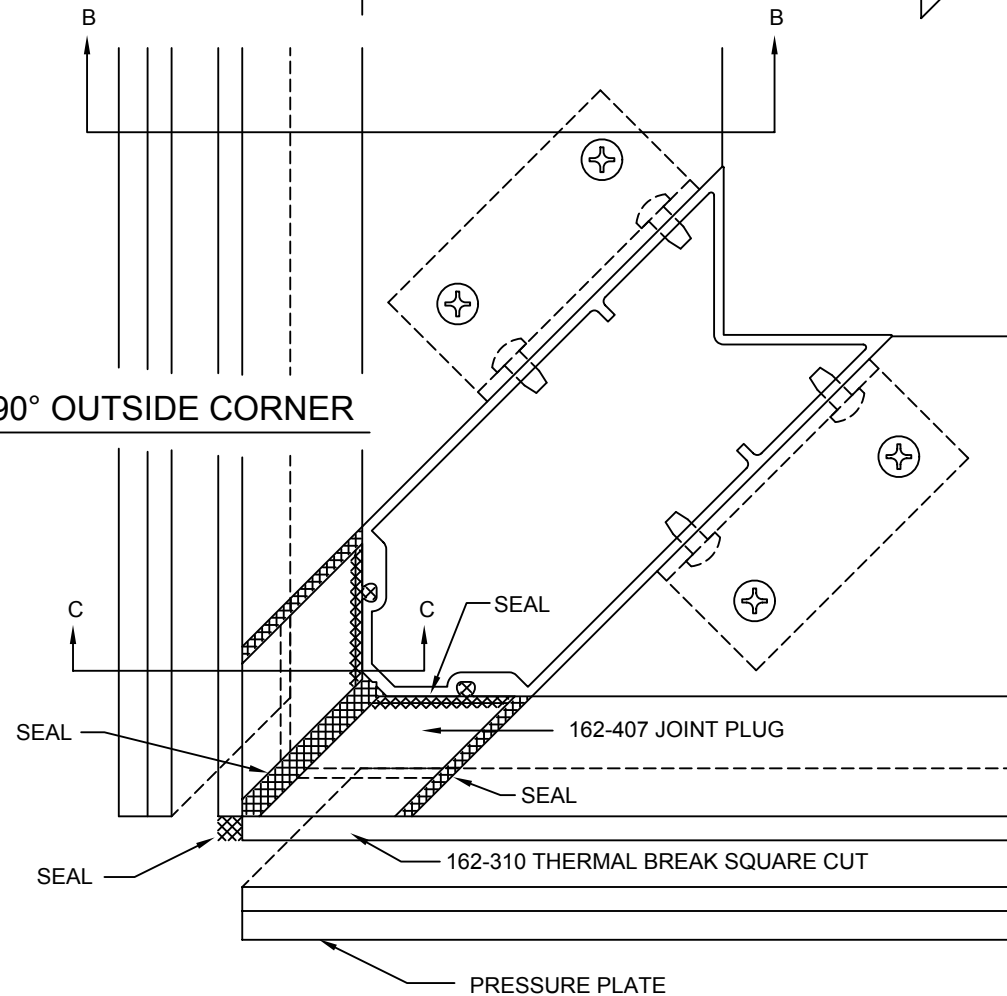
162-408 ALUMINUM JOINT PLUG 1" GLASS FRAME MEMBERS 135° CORNERS



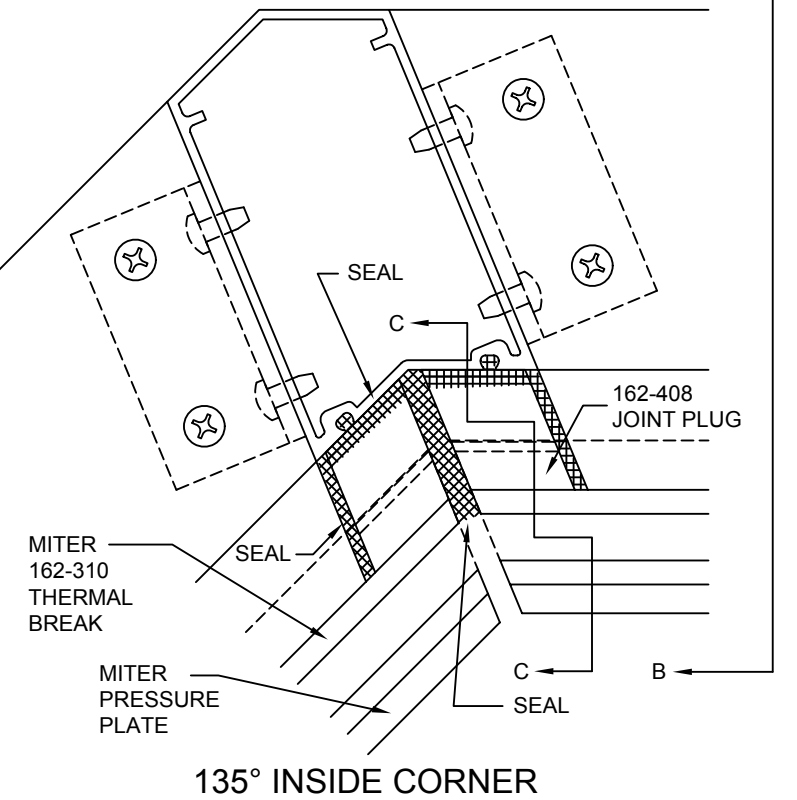
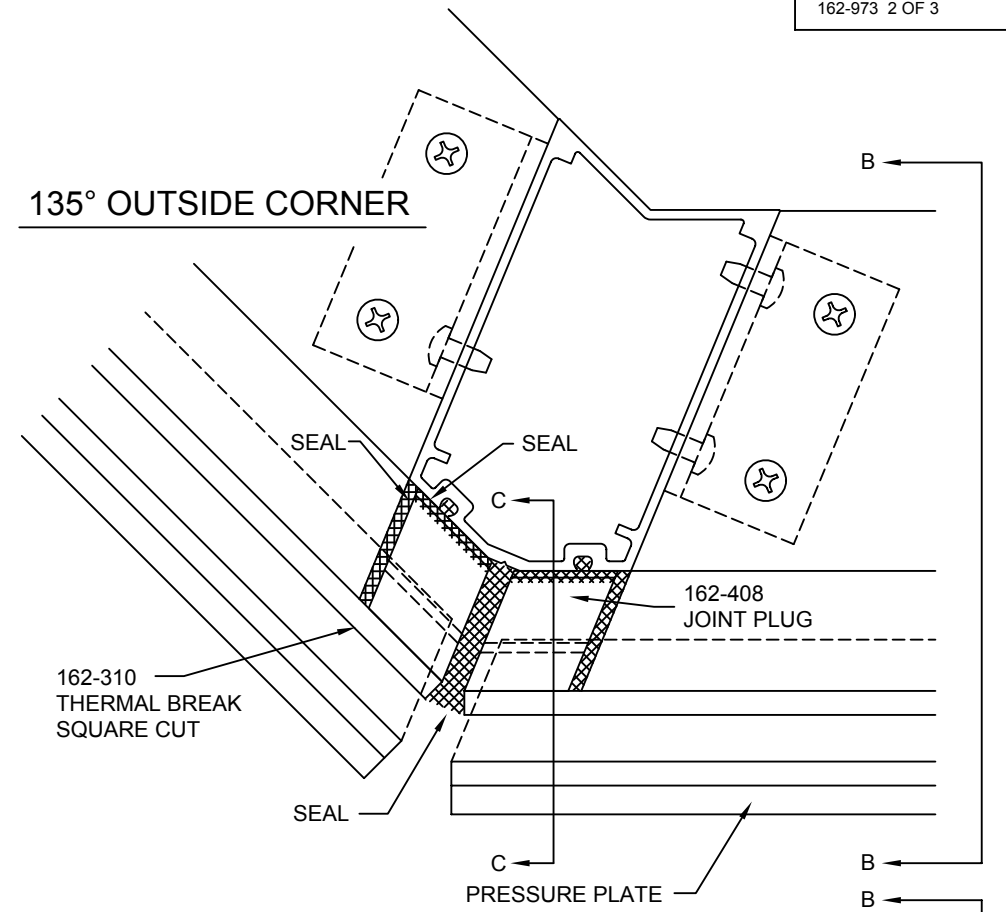
162-410 ALUMINUM JOINT PLUG 1/4" GLASS FRAME MEMBERS 135° CORNERS



90° OUTSIDE CORNER



135° OUTSIDE CORNER



1600 SYSTEM²
CORNER INSTRUCTIONS

PART NUMBER
162-973 2 OF 3

95449-82
06/24/11

DRAWING:

ORDER:

SHT:

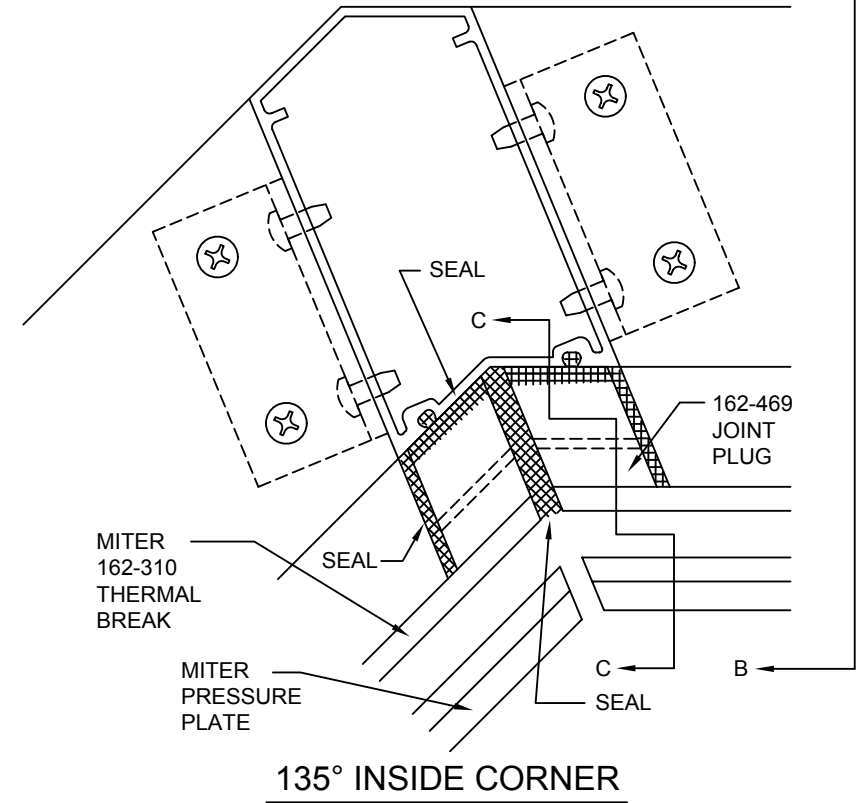
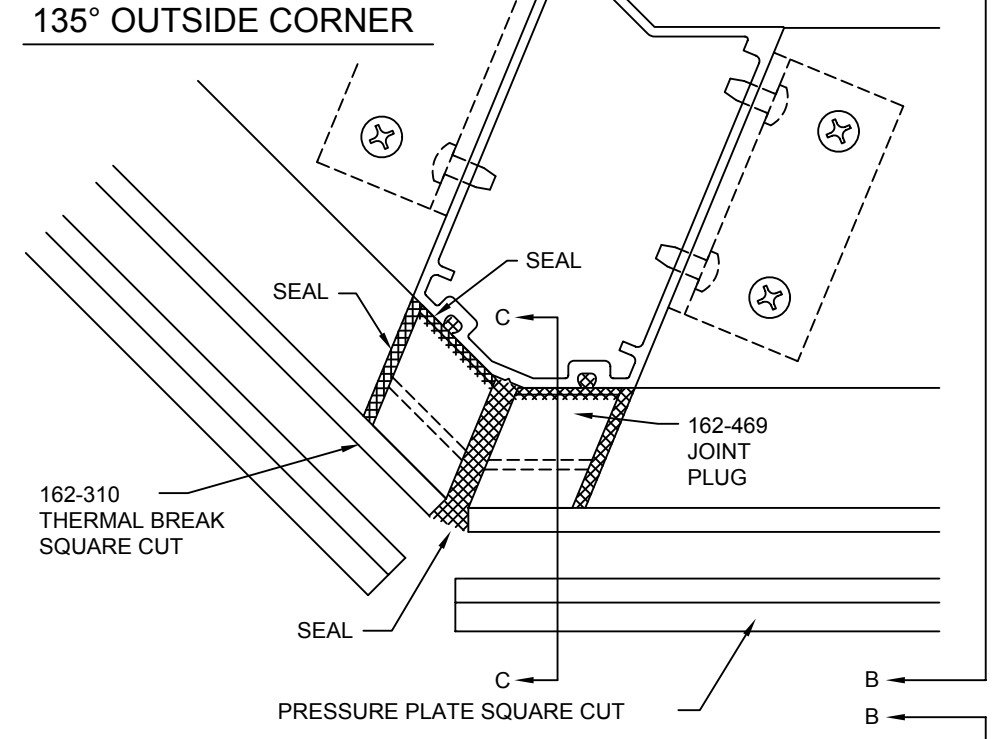
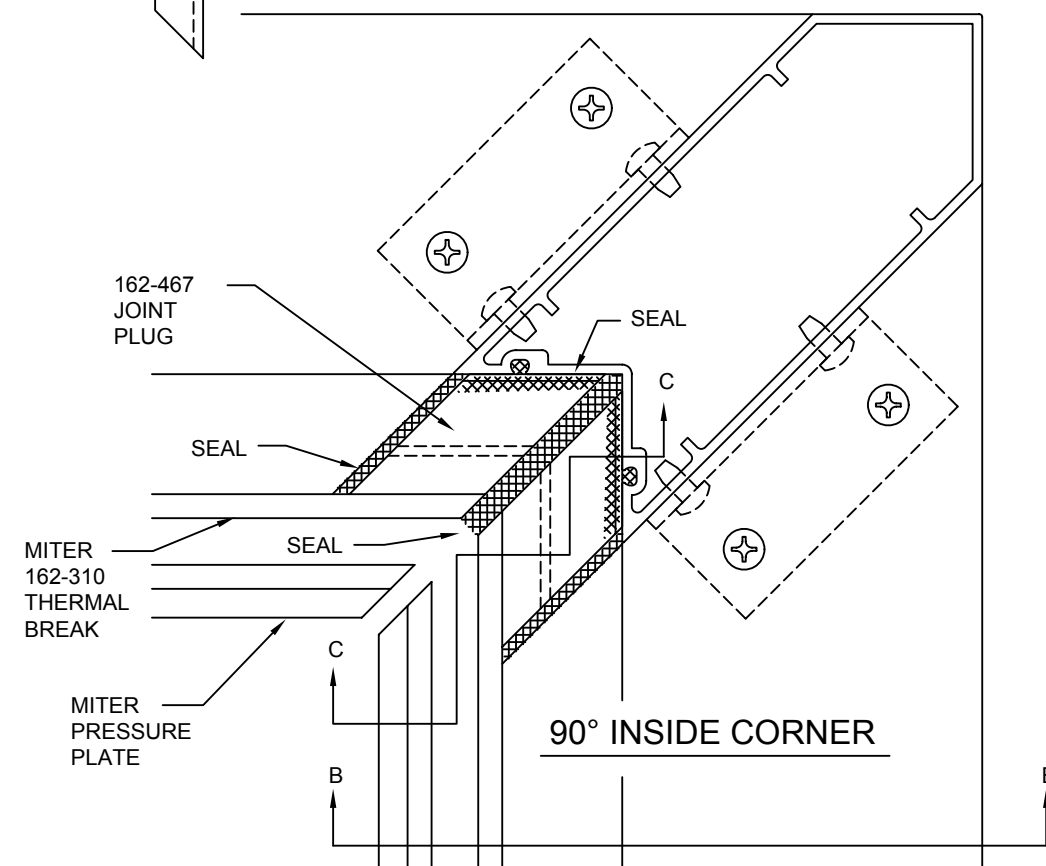
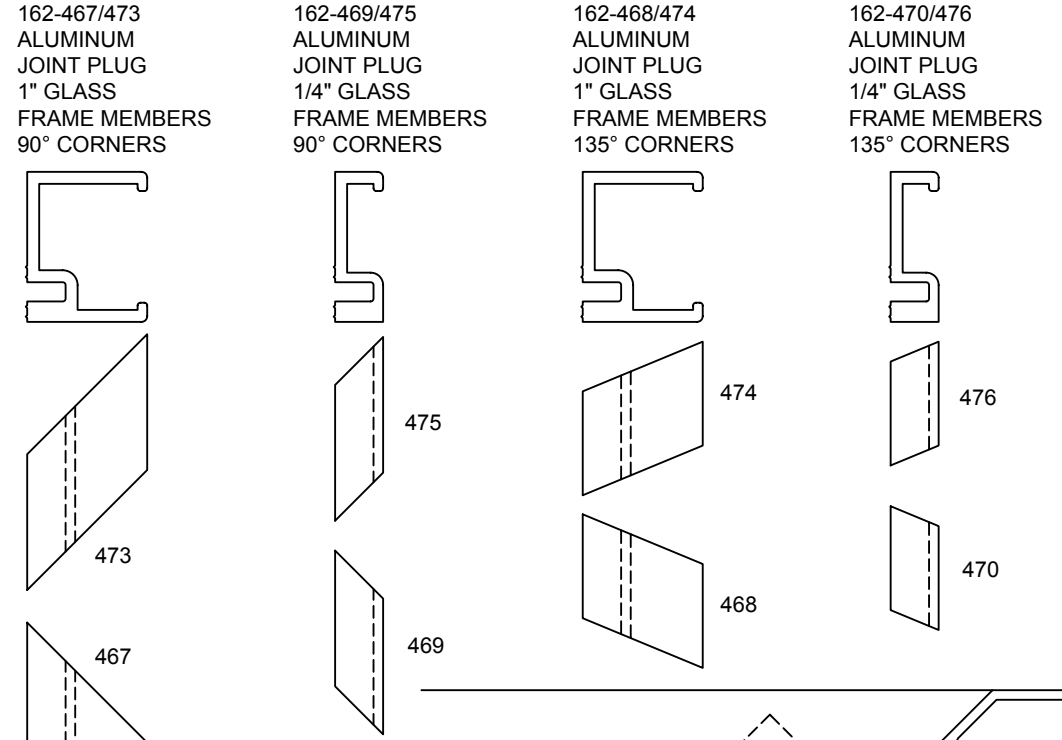
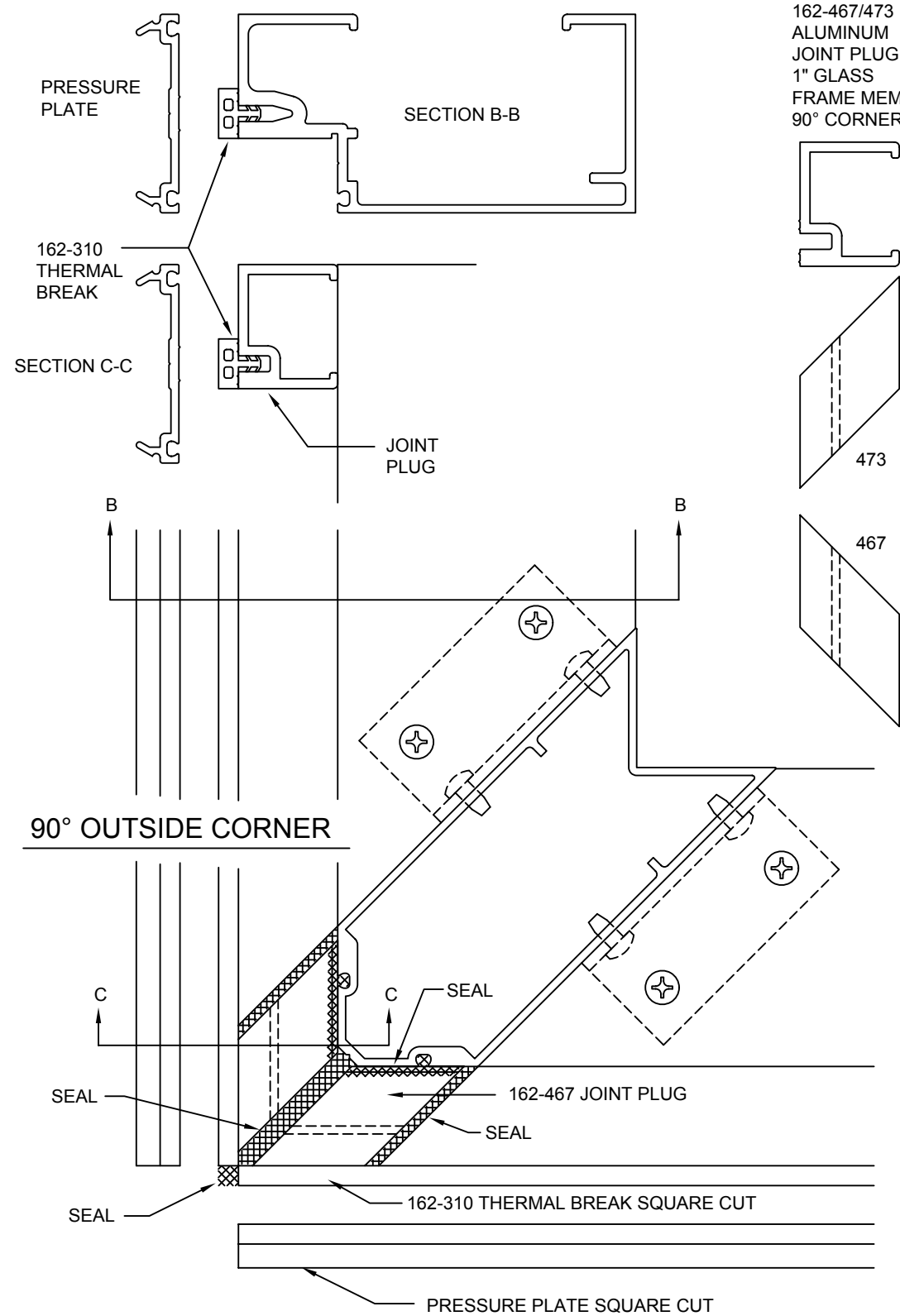
USE THESE INSTRUCTIONS IN CONJUNCTION WITH INSTALLATION INSTRUCTIONS 162-983 AND INSTALLATION INSTRUCTIONS 162-971.

JOINT PLUG ASSEMBLY

EXTERIOR FRAME PERIMETERS
1" GLASS FRAME MEMBERS SHOWN
1/4" FRAME MEMBERS SIMILAR.

INSTALLATION SEQUENCE

- 1-SEAL VERTICAL MULLION GROOVES AND HORIZONTAL END AS SHOWN IN INSTRUCTIONS 162-971 ON SHEET #5, STEP #9.
- 2-INSTALL JOINT PLUGS USING THE 162-310 THERMAL BREAK TO HOLD THE PLUG IN PLACE.
- 3-SEAL JOINT PLUG AND THERMAL BREAK JOINTS AS SHOWN.
- 4-DURING GLAZING, PRESSURE PLATE TO BE SQUARE CUT AS SHOWN AND COMPLETELY SEALED.



<p>KAWNEER 1600 SYSTEM² CORNER INSTRUCTIONS</p>	95449-87 02/17/12
	DRAWING:
	ORDER:
	PART NUMBER 162-973 3 OF 3