

USE THESE INSTRUCTIONS IN CONJUNCTION WITH INSTALLATION INSTRUCTIONS 162-970 FOR SYSTEM ¹ 162-971 FOR SYSTEM ²

COMPLETE STEPS 1 THROUGH 9 BEFORE STARTING THE FOLLOWING INSTRUCTIONS.

SQUARENESS AND DAYLITE OPENING DIMENSIONS MUST BE HELD TO WITHIN 1/16" OF NOMINAL FOR THE VENTS TO FIT AND OPERATE PROPERLY. DIAGONAL DIMENSIONS ACROSS OPENING MUST NOT VARY MORE THAN 1/16".

INSTALL VENT POCKET ADAPTERS

POCKET ADAPTER CUT LENGTH
VERTICAL ADAPTERS DLO PLUS 1 3/8"

HORIZONTAL ADAPTER DLO MINUS 5/16" WITH CAPTURED VERTICALS AT BOTH ENDS

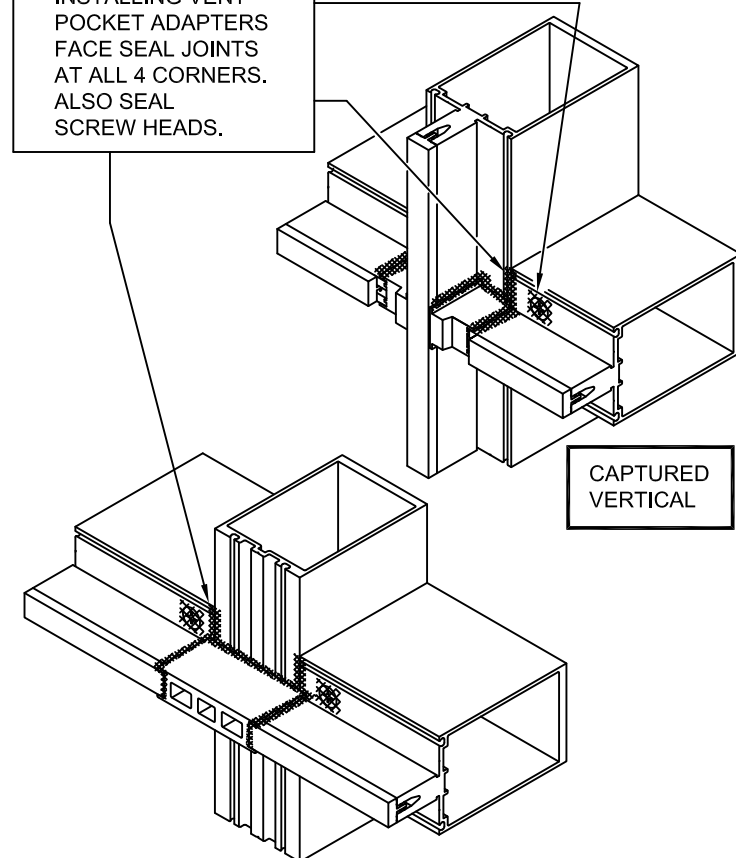
HORIZONTAL ADAPTER DLO PLUS 2 1/4" WITH SSG VERTICALS AT BOTH ENDS (NOTCH ENDS)

HORIZONTAL ADAPTER DLO PLUS 31/32" WITH CAPTURED VERTICAL AT ONE END AND SSG VERTICAL AT ONE END (NOTCH)

IMPORTANT

ALL SURFACES AND GROOVES MUST BE CLEANED PER THE SEALANT MANUFACTURER'S RECOMMENDATIONS.

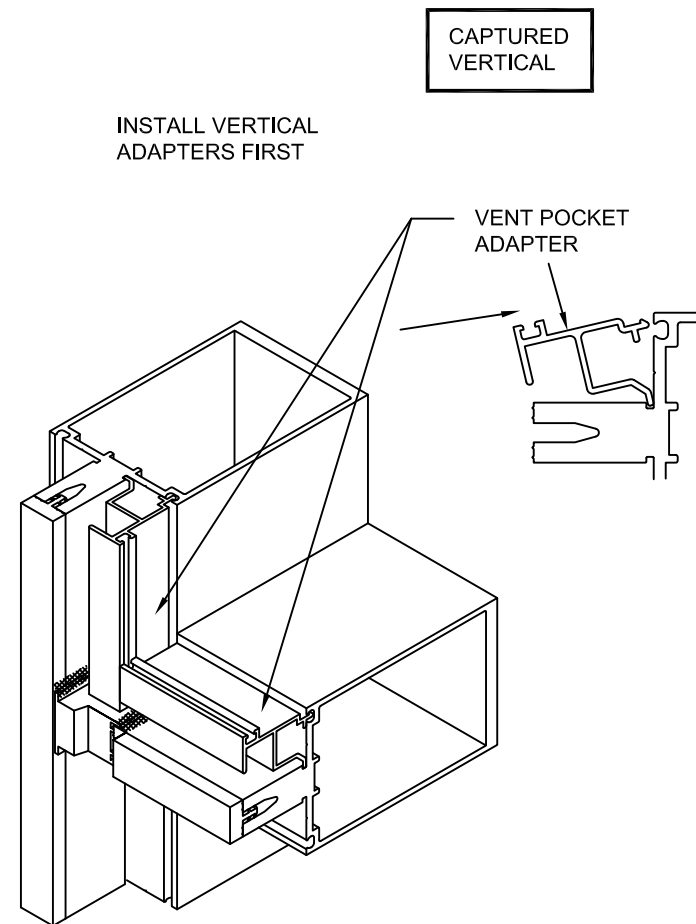
JUST BEFORE INSTALLING VENT POCKET ADAPTERS FACE SEAL JOINTS AT ALL 4 CORNERS. ALSO SEAL SCREW HEADS.



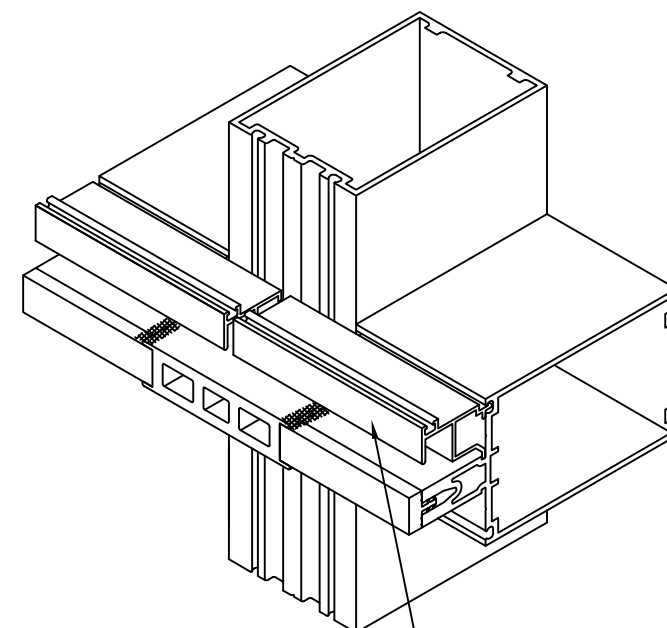
STRUCTURAL GLAZED VERTICAL

INSTALL VENT POCKET ADAPTERS

INSTALL VERTICAL ADAPTERS FIRST



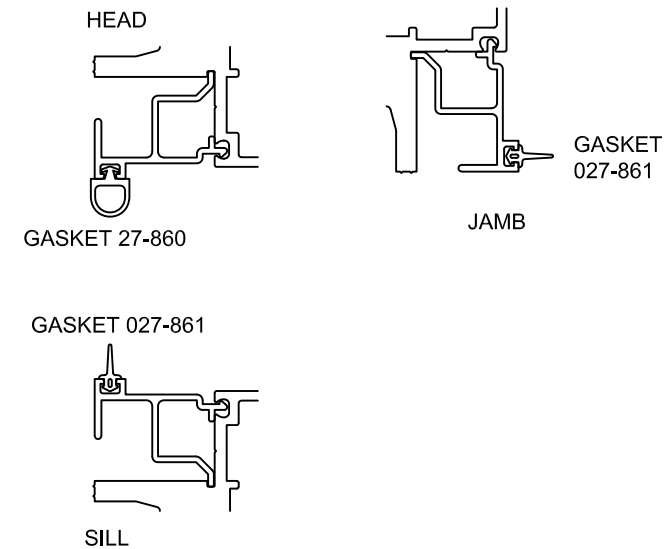
STRUCTURAL GLAZED VERTICAL



VENT POCKET ADAPTER

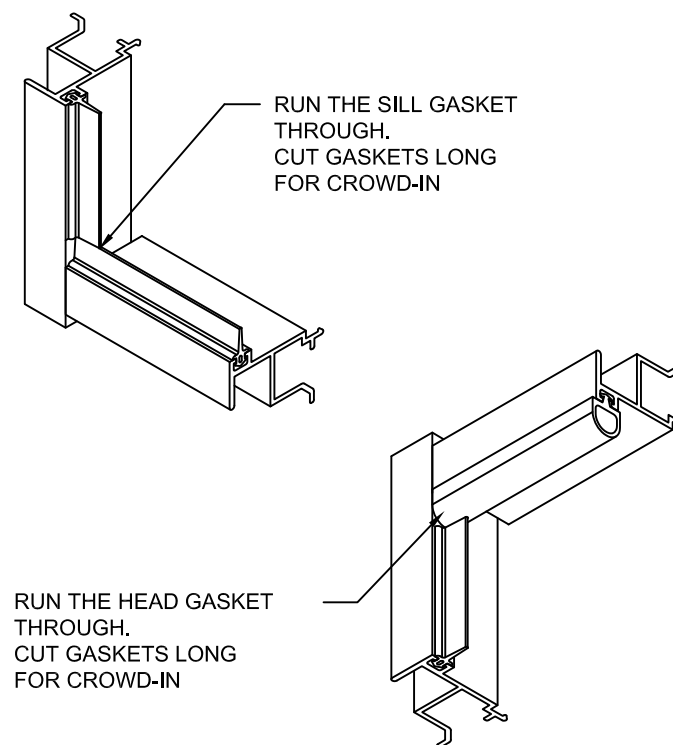
INSTALL PERIMETER VENT GASKETS

AT CAPTURED VERTICALS



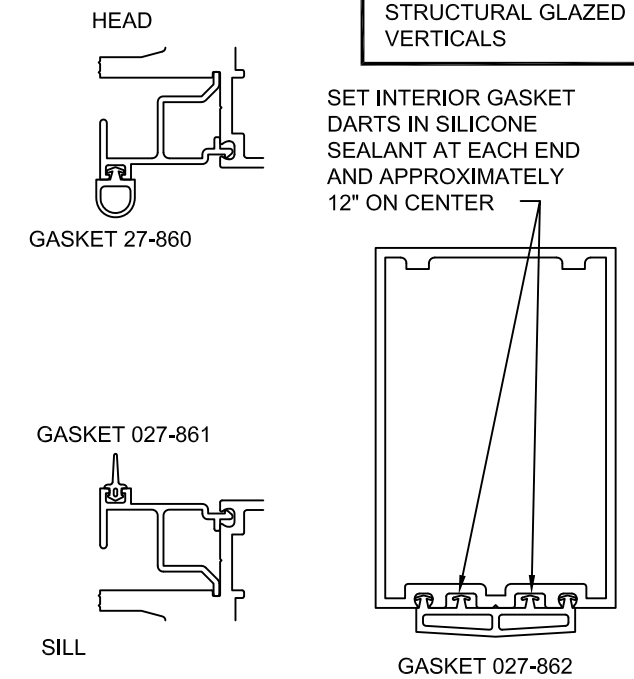
RUN THE SILL GASKET THROUGH. CUT GASKETS LONG FOR CROWD-IN

RUN THE HEAD GASKET THROUGH. CUT GASKETS LONG FOR CROWD-IN



INSTALL PERIMETER VENT GASKETS

STRUCTURAL GLAZED VERTICALS



VERTICAL GASKET 27-862 RUNS BETWEEN HORIZONTALS CUT LONG FOR CROWD-IN

HORIZONTAL GASKETS RUN SAME LENGTH AS POCKET ADAPTERS VENT SILL SHOWN HEAD SIMILAR



1600 GLASSVENT SYSTEM ¹/SYSTEM ²
INSTALLATION INSTRUCTIONS

PART NUMBER
162-978 1 OF 4

95449-096
10/01/13

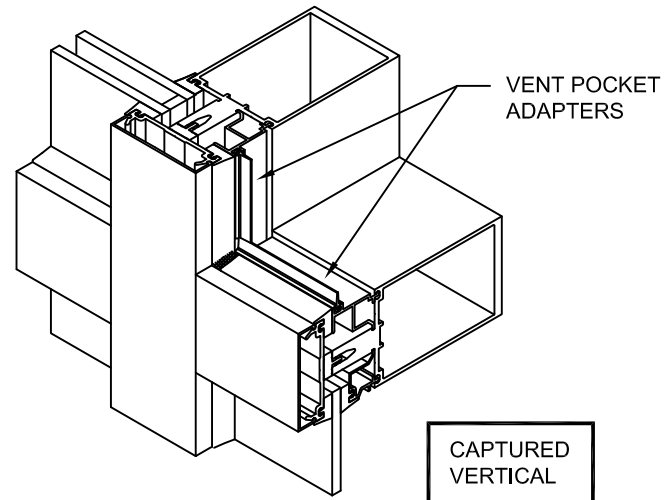
DRAWING:

ORDER:

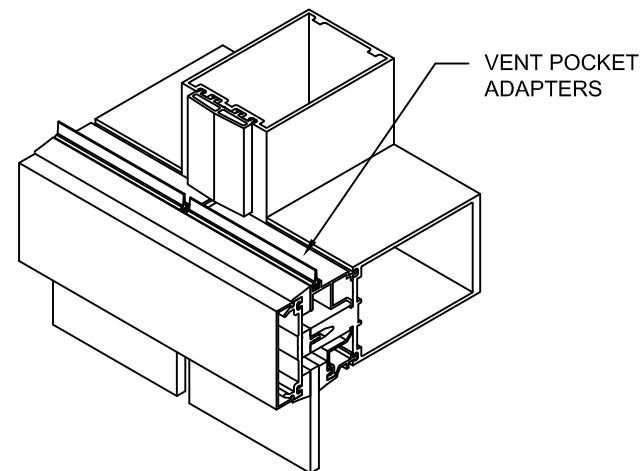
SHT:

GLAZE GLASS AND INSTALL PRESSURE PLATES

AFTER INSTALLING VENT POCKET ADAPTERS COMPLETE THE REMAINING STEPS WITH INSTALLATION INSTRUCTIONS 162-970 OR 162-971 FOR GLAZING AND APPLYING EXTERIOR COVERS.



STRUCTURAL GLAZED VERTICAL



STRUCTURAL VENT GLAZING

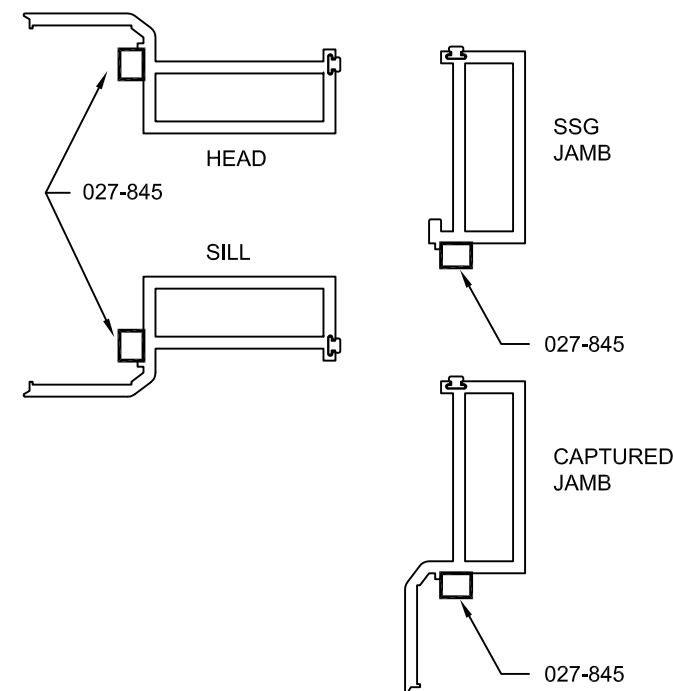
STRUCTURAL SEAL - SEALANT TO BE STRUCTURAL TYPE SILICONE AS RECOMMENDED BY THE SEALANT MANUFACTURER. SEALANT SHALL NOT BE APPLIED UNTIL ALL REQUIRED COMPATIBILITY AND ADHESION TESTING IS COMPLETE. SEALANT MUST BE APPLIED PER THE SEALANT MANUFACTURER'S RECOMMENDATIONS.

SETTING BLOCKS SHOULD BE MADE OF SILICONE MATERIAL.

EXTERIOR GLASS WEATHER SEAL - SEALANT TO BE A TYPE AS RECOMMENDED BY THE MANUFACTURER OF THE STRUCTURAL SEALANT BEING USED FOR THIS PROJECT. SEALANT MUST BE APPLIED PER THE SEALANT MANUFACTURER'S RECOMMENDATIONS.

GLASS IS TO HAVE SEAMED EDGES

CLEAN VENT GLAZING AND APPLY 027-845 2 SIDED ADHESIVE TAPE AS SHOWN. TEMPORARILY LEAVE THE PROTECTIVE LINER ON



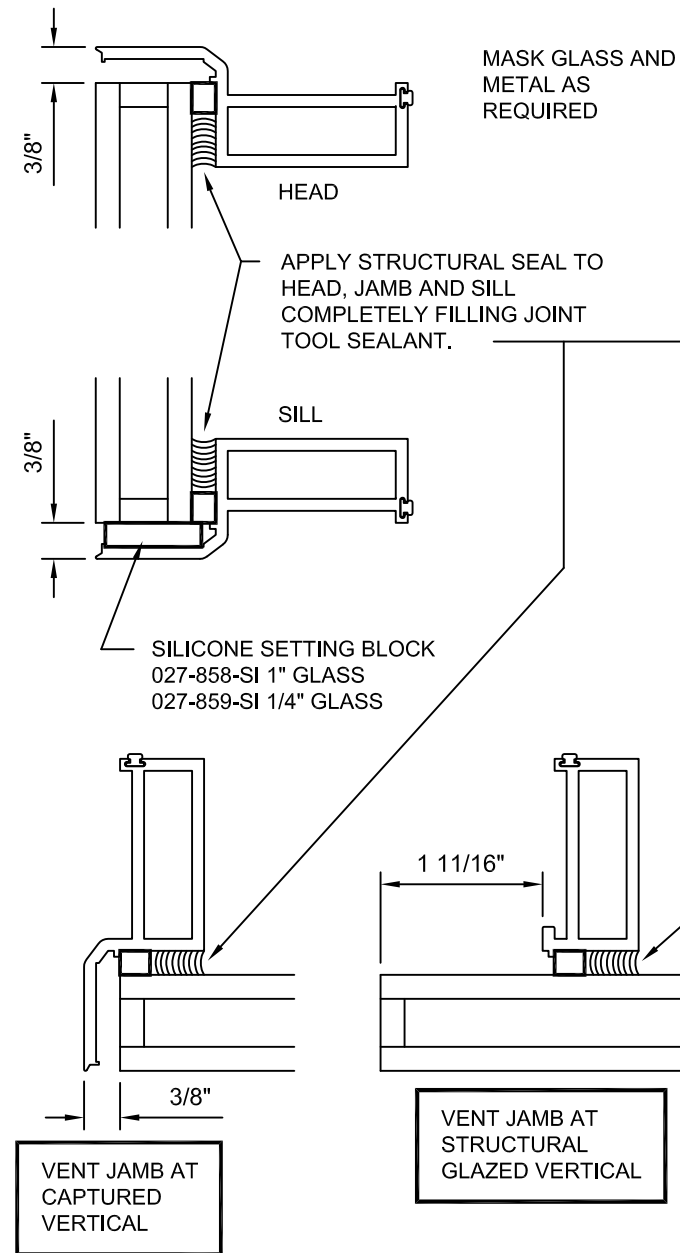
CLEAN THE GLASS PER THE SEALANT MANUFACTURER'S RECOMMENDATIONS.

PLACE THE GLASS ONTO A BENCH USING PROPER BLOCKING METHODS.

PLACE THE VENT ON THE GLASS AND SHIFT AGAINST SETTING BLOCKS AND TO THE SPECIFIED EDGE OVERLAP.

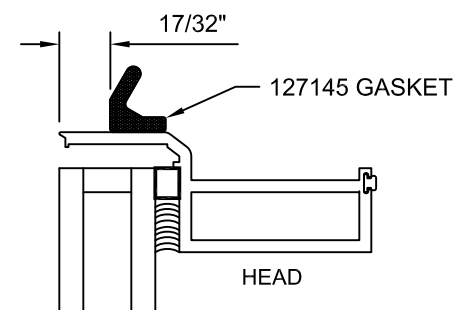
REMOVE THE TAPE PROTECTIVE LINER AFTER CENTERING THE GLASS.

APPLY STRUCTURAL SEAL

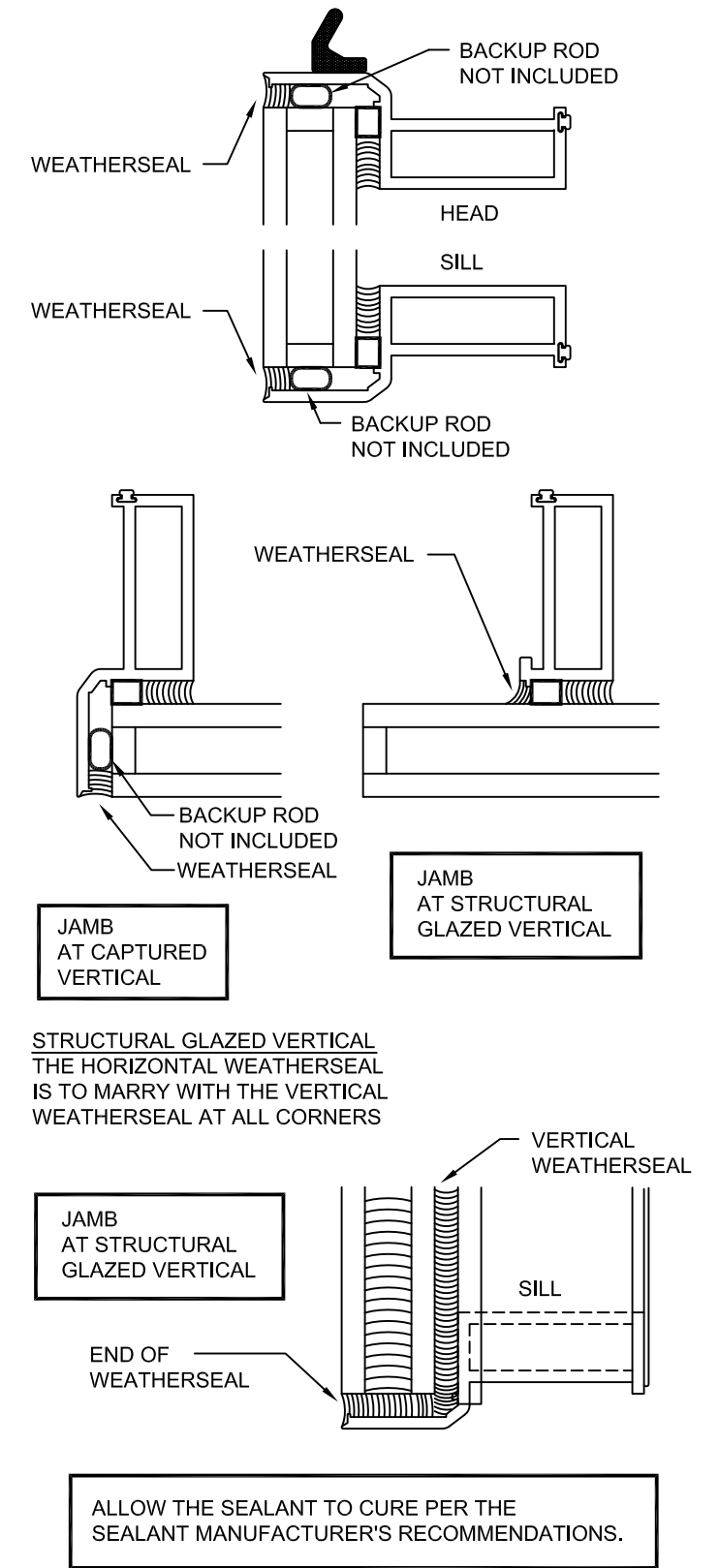


APPLY 127145 AT P.O. HEAD ONLY

- 1) CLEAN SURFACE WHERE GASKET IS TO BE APPLIED WITH ISOPROPYL ALCOHOL AND WIPE DRY.
- 2) CUT GASKET TO TOP RAIL LENGTH.
- 3) PEEL OFF PAPER LINER AND PLACE GASKET ONTO TOP RAIL AS SHOWN. APPLY PRESSURE TO ENSURE ADHESION.



APPLY WEATHERSEAL



1600 GLASSVENT SYSTEM ¹/SYSTEM ²
INSTALLATION INSTRUCTIONS

PART NUMBER
162-978 2 OF 4

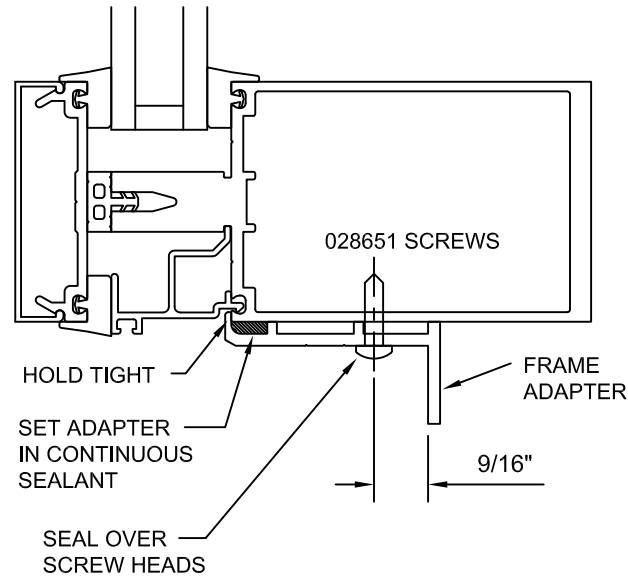
95449-104
01/15/16
DRAWING:
ORDER:
SHT:

INSTALL VENT FRAME ADAPTERS

VENT FRAME ADAPTERS ARE HANDED. SEE APPROVED SHOP DRAWINGS FOR LOCATION.

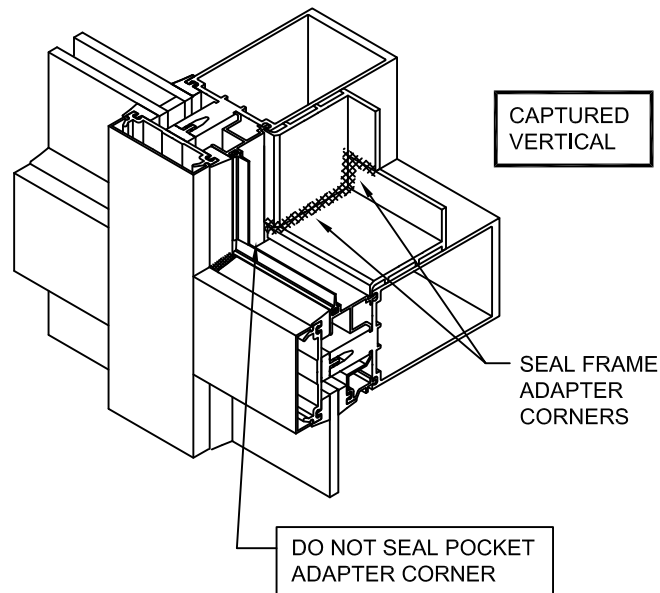
HOLD ADAPTERS TIGHT AGAINST MULLION AS SHOWN. USING HOLES IN ADAPTERS MATCH DRILL MULLIONS WITH #26 DRILL 0.147 DIA. AND APPLY WITH 028651 SCREWS #10 x 3/4 PAN HEAD TYPE AB.

AT THIS TIME USE ONLY HOLES FOR ADAPTER ATTACHMENT.



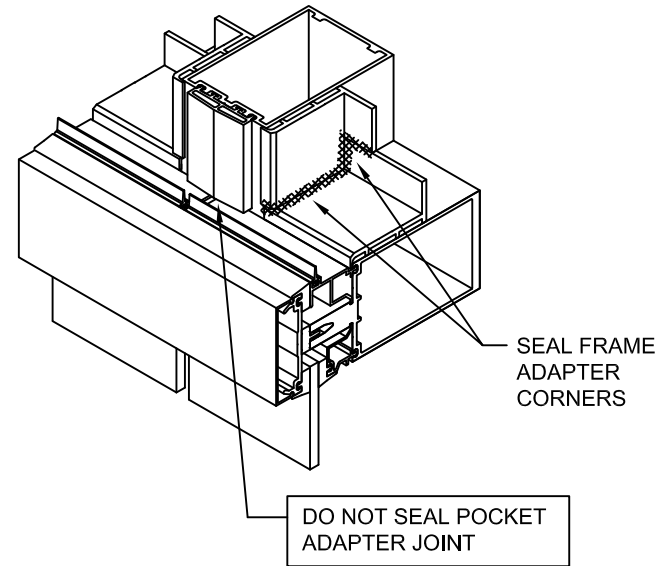
APPLY ADAPTERS TO ALL 4 SIDES AND SEAL CORNERS AS SHOWN.

DO NOT SEAL POCKET ADAPTER CORNERS.
THESE CORNERS ARE FOR WATER DRAINAGE.

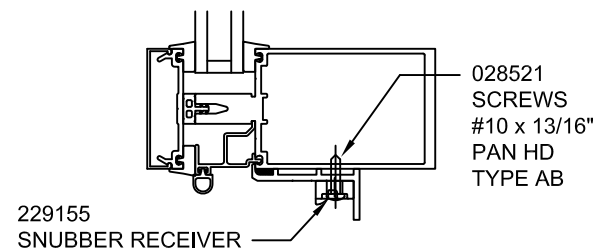


INSTALL VENT FRAME ADAPTERS

STRUCTURAL GLAZED VERTICAL



INSTALL SNUBBER RECEIVER

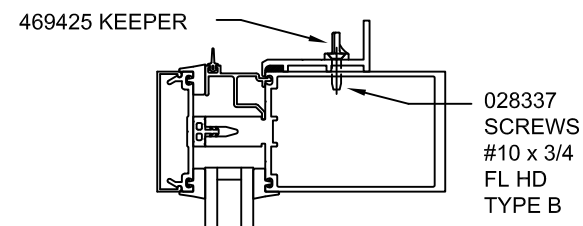


APPLY SNUBBER RECEIVER. USING HOLES IN ADAPTERS DRILL HORIZONTAL WITH #26 DRILL 0.147 DIA. AND APPLY WITH 028521 SCREWS. ADJUST STOP ALL THE WAY TO THE INTERIOR AND SNUG TIGHTEN SCREWS. ADJUSTMENT WILL BE REQUIRED AFTER THE VENT IS INSTALLED.

INSTALL CONCEALED LOCK KEEPER

(IF CONCEALED LOCKS ARE USED)

USING HOLES IN ADAPTERS DRILL HORIZONTAL WITH #26 DRILL 0.147 DIA AND APPLY KEEPER USING 028337 SCREWS. SET SCREWS IN SEALANT.

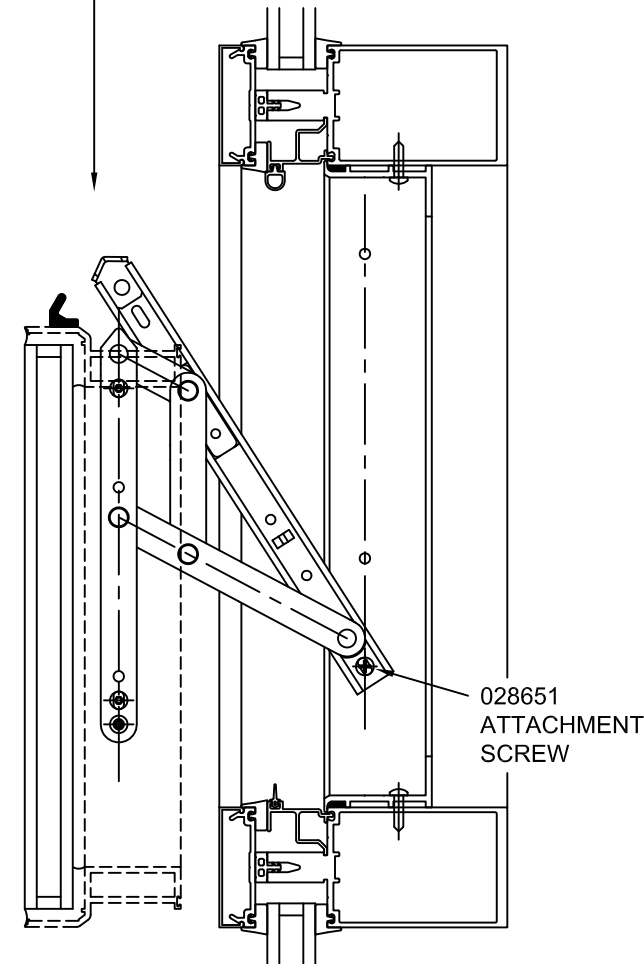


INSTALL GLAZED VENT

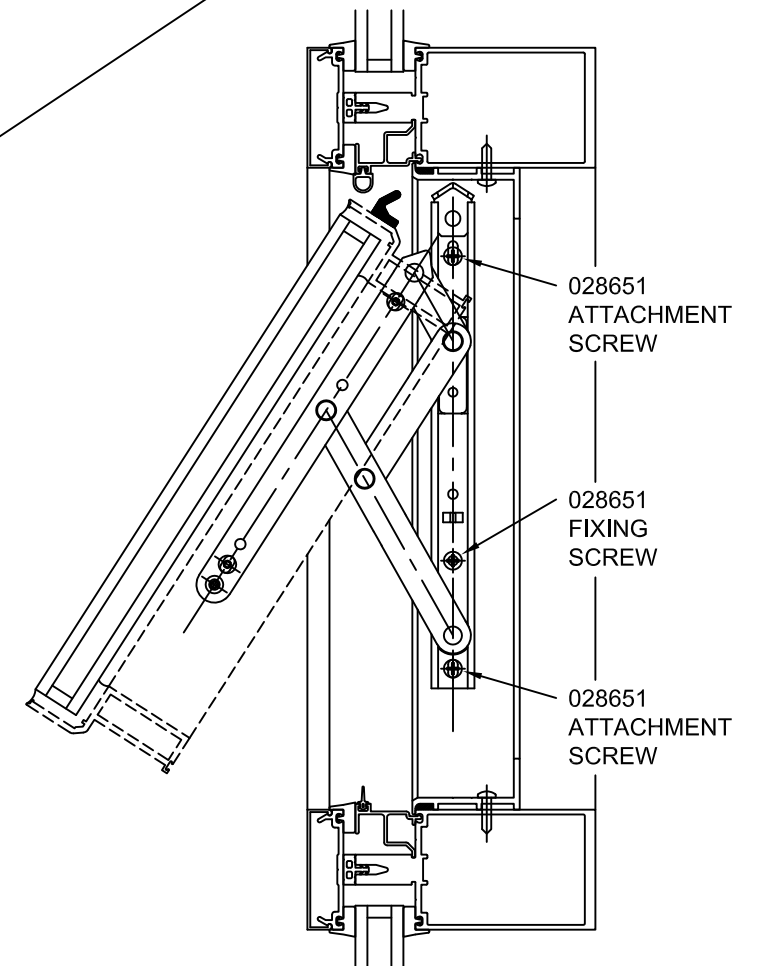
BEFORE INSTALLING VENT DRILL HOLES IN THE MULLIONS USING THE REMAINING ADAPTER HOLES AS PILOTS. USE A #26 DRILL 0.147 DIA.

INSTALL THE VENT BY SCREW APPLYING THE 4BAR HINGES TO THE JAMBS USING 028651 SCREWS #10 x 3/4 PAN HEAD TYPE AB. APPLY SEALANT TO THE SCREW HOLES BEFORE INSTALLING 4BAR HINGE AND SCREWS.

HOLD THE VENT VERTICAL AND INSTALL THE LOWER ATTACHMENT SCREW FIRST.



THEN ROTATE THE VENT AND INSTALL THE TOP ATTACHMENT SCREW.



POSITION THE SCREWS IN THE CENTER OF THE 4BAR HINGE SLOTS.

SHUT THE VENT AND LOCK. CHECK FOR VERTICAL ALIGNMENT. ADJUST AS REQUIRED BY LOOSENING 028651 SCREWS.

WITH THE VENT CENTERED DRILL AS ABOVE AND INSTALL 028651 FIXING SCREW. SET THE SCREW IN SEALANT.



1600 GLASSVENT SYSTEM ¹/SYSTEM ²
INSTALLATION INSTRUCTIONS

PART NUMBER
162978 3 OF 4

95449-103
12/11/15

DRAWING:

ORDER:

SHT:

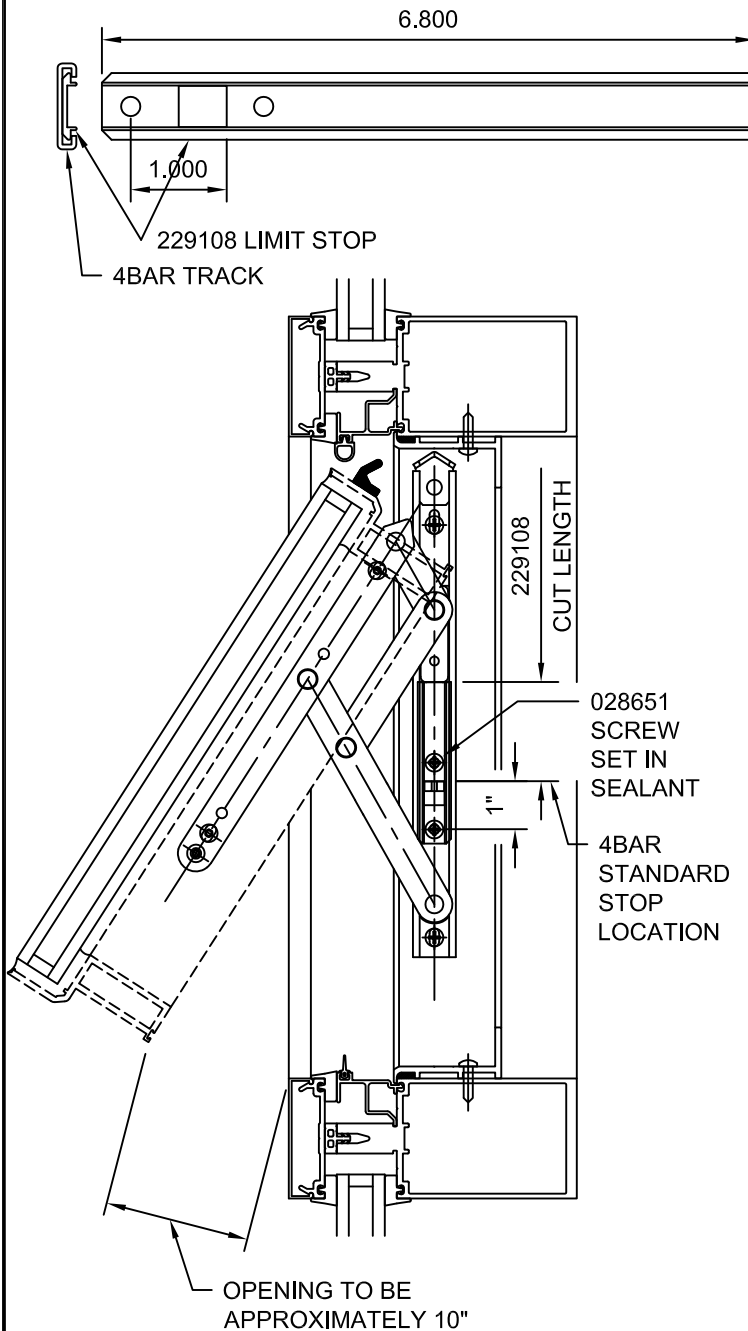
INSTALL 229108 4BAR LIMIT STOPS IF USED

IF THE 1600 DLO HEIGHT IS BETWEEN 36" AND 48" THE VENT OPENING IS TO BE LIMITED AS SHOWN BELOW. 229108 STOPS WILL BE FURNISHED FOR USE WITH THE 4BAR HINGES.

THE 229108 STOP IS FURNISHED 6.800" LONG. CUT AS REQUIRED TO LIMIT THE OPENING TO APPROXIMATELY 10".

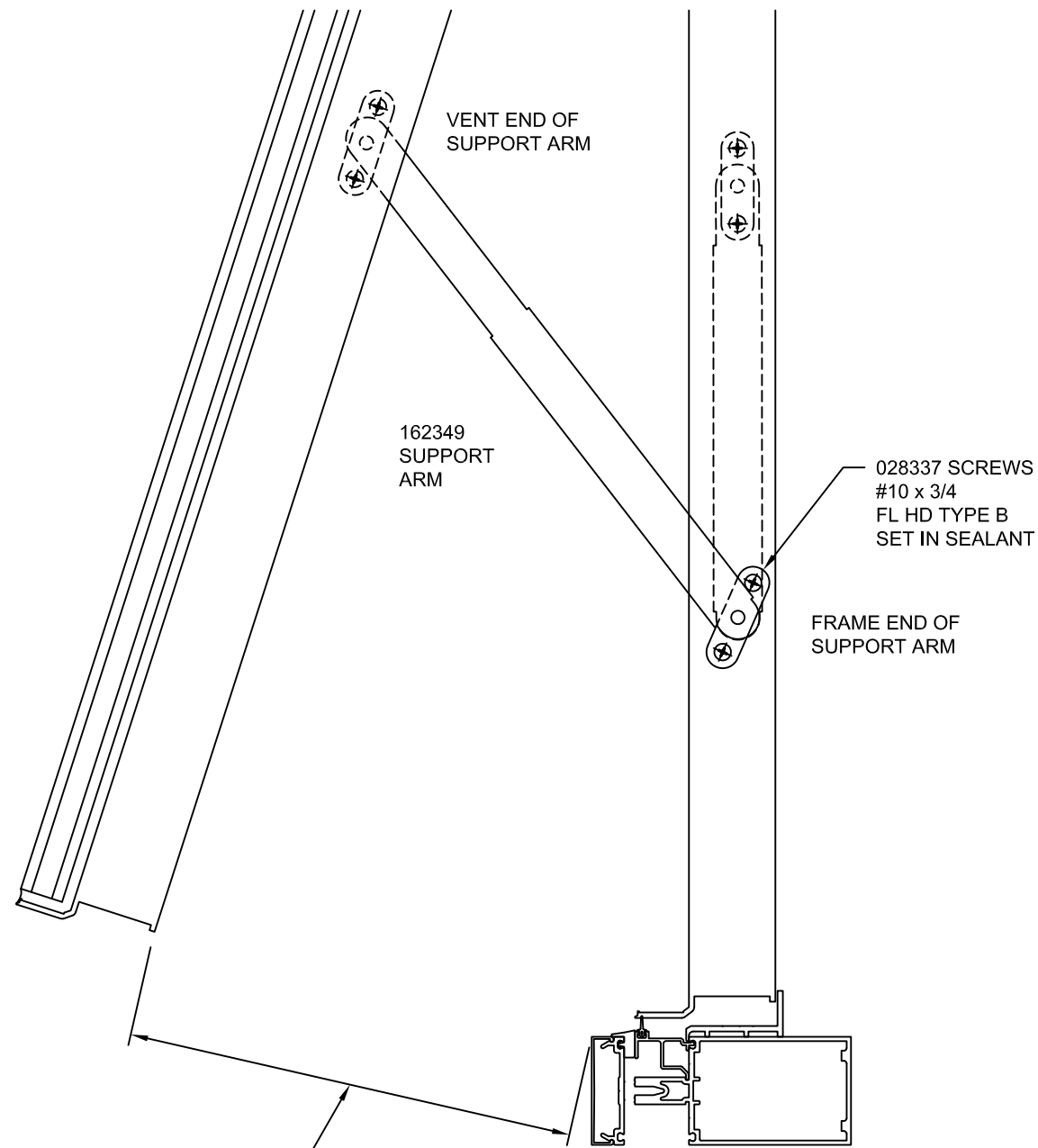
DRILL 0.147 DIA. HOLES (#26 DRILL) AND INSTALL WITH 028651 SCREWS. #10 x 3/4 PAN HEAD TYPE AB

THE 4BAR HINGE HAS A PREPUNCHED HOLE FOR THE 028651 SCREWS.



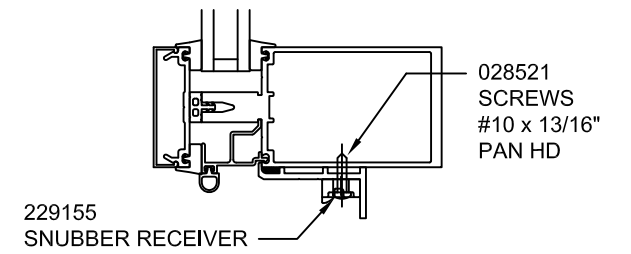
INSTALL 162349 SUPPORT ARMS IF USED

IF THE 1600 DLO HEIGHT IS OVER 48" IN HEIGHT 162349 SUPPORT ARMS ARE TO BE USED IN ADDITION TO THE STANDARD 4BAR HINGES. USING HOLES IN THE ADAPTERS DRILL VERTICAL WITH #26 DRILL 0.147 DIA. APPLY THE FRAME END OF SUPPORT ARM TO VERTICALS USING 028337 SCREWS. THE VENT END OF SUPPORT ARM WILL BE FACTORY INSTALLED WITH 977110 SCREWS.



CLEAR OPENING WILL VARY FROM APPROXIMATELY 10 1/2" FOR A 48" HIGH VENT TO APPROXIMATELY 8 1/2" FOR A 72" HIGH VENT

ADJUST SNUBBER RECEIVER



WITH THE VENT OPEN, LOOSEN SCREWS SO SNUBBER RECEIVER WILL SLIDE. THEN SLIDE SNUBBER RECEIVER TOWARDS THE INTERIOR. CLOSE VENT AND LOCK. OPEN THE VENT CAREFULLY AND TIGHTEN SNUBBER RECEIVER SCREWS.

KAWNEER
 1600 GLASSVENT SYSTEM ¹/SYSTEM ²
 INSTALLATION INSTRUCTIONS

PART NUMBER
 162978 4 OF 4

95449-103
 12/11/15
 DRAWING:
 ORDER:
 SHT: