



Oldcastle BuildingEnvelope®

RELIANCE UNIT WALL INSTALLATION MANUAL

NOTE:

THE INSTALLATION DETAILS FOUND IN THIS PACKAGE ARE GENERIC AND ARE FOR REPRESENTATION ONLY WITH THE INTENT OF GIVING THE INSTALLATION TEAM A VISUAL REPRESENTATION AS TO HOW THE ASSEMBLIES TYPICALLY INSTALL. THE SHOP SUBMISSION DRAWINGS AND DETAILS ARE THE GOVERNING DOCUMENTS AND AS SUCH THIS PACKAGE IS TO BE USED ONLY AS A RESOURCE.

FOLLOW STRUCTURAL GLAZING TAPE AND SEALANT MANUFACTURER'S RECOMMENDATIONS FOR USE AND APPLICATION OF THE STRUCTURAL GLAZING TAPE AND WEATHER SEAL.

NOTE: CUSTOMER / PROJECT QUALITY ASSURANCE PROCEDURES ARE SEPARATE DOCUMENTS AND ARE TO BE FOLLOWED IN CONJUNCTION WITH THIS MANUAL.

RELIANCE™ UNIT WALL - INSTALLATION MANUAL

General Information	SHEET
Product Use	1
Protection and Storage	1
Check Material	1
Field Conditions	2
Cleaning Materials	2
Expansion Joints	2
Layout Mullion and Anchor Centerlines	
Check Structural Opening	3
Layout Mullion and Anchor Centerlines	3
Locate and Install Anchors	4
Install Anchor Hooks	5
Starter Sill Condition	
Install Starter Sill	6
Proper Seal at Starter Sill	7
Proper Seal at Starter Sill (Corner)	8
Install Horizontal Air Seal Gasket	9
Hoisting Frames	10
Install Ground Floor Frames	
Install First Frame	11
Install Adjacent Frame at Ground Floor	12/13
Install Upper Level Frames	
Seal the Joint	14
Install Horizontal Air Seal Gasket	14
Seal Hoisting Holes (when applicable)	15
Install First Frame (Upper Level)	16
Install Adjacent Frame (Upper Level)	17/18
Jamb Frame Condition	
Seal at Notch on Jamb Frame	19
Parts List	20/21

RELIANCE™ UNIT WALL - INSTALLATION MANUAL

GENERAL INFORMATION

PRODUCT USE

Reliance Unit Wall Curtain Wall system is intended for assembly and installation by glazing professionals with appropriate experience. Subcontractors must be qualified to provide field instruction and project management.

Oldcastle BuildingEnvelope® does not control the application of its product configurations, sealant or glazing material and assumes no responsibility for the application. It is the responsibility of the owner, architect and installer to make these selections in strict compliance with applicable laws and building codes.

It is critical to involve 3M™ at the earliest stage of the project as possible. Building loads and glass sizes may be restricted based on structural capabilities of the tape used on project. Supplier must review shop drawings and make recommendations prior to ordering materials.

When using 3M™ VHB™ SGT you must involve 3M's™ technical services to obtain approval, and have SOP written for project specific materials, order materials and schedule training prior to assembling any window frames. (3M VHB must be purchased directly from distributor and is **NOT** provided by or sold through O.B.E.)

The air and water performance of the unitized curtain wall is directly related to the completeness and integrity of the assembly/glazing and installation process. Care must be taken when applying the seal at the horizontal to vertical connections as well as at the glazing tape installed on the interior side of the glass.

1. Surface to be sealed should be cleaned with isopropyl alcohol or solvent and dried as recommended by tape/sealant manufacturer to remove dirt and cutting oils. No gap should be visible in the sealant. Exposed surfaces should be cleaned of excess sealant after installing the horizontal. Inspect joint for complete sealant contact, especially where the horizontal meets the face of the vertical member.
2. The glazing tape should be installed so as to avoid stretching, buckles or tears. Cut the tape at corners (As shown on sheet 34). The glazing tape should be installed in one continuous piece per side, with seams/joints only at corners.

Variations on details shown may occur, but are not the responsibility of Oldcastle BuildingEnvelope.

PROTECTION AND STORAGE

Handle all material carefully. Do not drop from the truck. Stack with adequate separation so the material will not rub together. Store material off the ground, protecting against the elements and other construction hazards by using a well ventilated covering. Remove material from package if wet or located in a damp area. For further guidelines consult AAMA publication "Care And Handling of Architectural Aluminum From Shop To Site".

RELIANCE™ UNIT WALL - INSTALLATION MANUAL

CHECK MATERIAL

Check glass dimensions for overall size as well as thickness. Oldcastle BuildingEnvelope® cannot be held responsible for gaskets that are not water tight due to extreme glass tolerances. The unitized curtain wall system is designed to accommodate glass or panels measuring 1" in thickness (+/- 1/32").

Check all material upon arrival at job site for quality and to determine any shipping damage. Using the contract documents, completely check the surrounding conditions that will receive your materials. Notify the general contractor by letter of any discrepancies before proceeding with the work. Failure to do so constitutes acceptance of work by other trades.

Check shop drawings, installation instructions, architectural drawings and shipping lists to become familiar with the project. The shop drawings take precedence and include specific details for the project. The assembly and installation instructions are of a general nature and cover the most common conditions.

Due to varying job conditions all sealant must be approved by the sealant manufacturer to ensure it will perform per conditions shown on the instructions and shop drawings. The sealant must be compatible with all surfaces in which adhesion is required, including other sealant surfaces. Use primers where directed by sealant manufacturer. Properly store sealant at the recommended temperatures and check sealant for expiration and shelf life before using.

FIELD CONDITIONS

All material to be installed must be plumb, level and true. Aluminum to be placed in direct contact with masonry or incompatible material should be isolated with a heavy coat of zinc rich, bituminous paint or non-metallic material unless otherwise specified. After sealant is set and a representative amount of the wall has been glazed (250 sq. ft. or more), perform a water hose test in accordance with AAMA 501.2 "Field Check of Metal Storefront, Curtain Wall and Slope Glazing Systems for Water Leakage". On large projects the hose test must be repeated during the glazing operation. Review anchors or embeds in structure as early as possible to confirm that 'as built' building structure can accommodate anticipated anchor tolerances.

CLEANING MATERIALS

Cement, plaster terrazzo, alkaline and acid based materials used to clean masonry are very harmful to finishes. Any residue should be removed with water and mild soap immediately or permanent staining will occur. A spot test is recommended before any cleaning agent is used. Refer to the architectural finish guide in the detail catalog.

EXPANSION JOINTS

Expansion joints and perimeter joints shown in these instructions and in the shop drawings are shown at nominal size. Actual dimensions may vary due to perimeter conditions and/or differences in metal temperature between the time of fabrication and the time of assembly/installation. For example, a 12' unrestrained length of aluminum can expand or contract 3/32" over a temperature change of 50° F. Any movement potential should be accounted for at the time of the assembly and installation.

RELIANCE™ UNIT WALL - INSTALLATION MANUAL

GENERAL NOTE:

FRAMES ARE INTENDED TO BE INSTALLED FROM LEFT TO RIGHT WHEN VIEWED FROM EXTERIOR.

DETAILING IN THIS INSTALLATION MANUAL MAY VARY FOR SPECIFIC PROJECTS.

1. CHECK STRUCTURAL OPENING

Slab or beam elevation must be within adjustment of anchoring system.

Structural surfaces to receive anchoring system must be level and plumb within the adjustment limits at head, sill and jamb. See approved shop drawings for allowable adjustment.

2. LAYOUT MULLION AND ANCHOR CENTERLINES

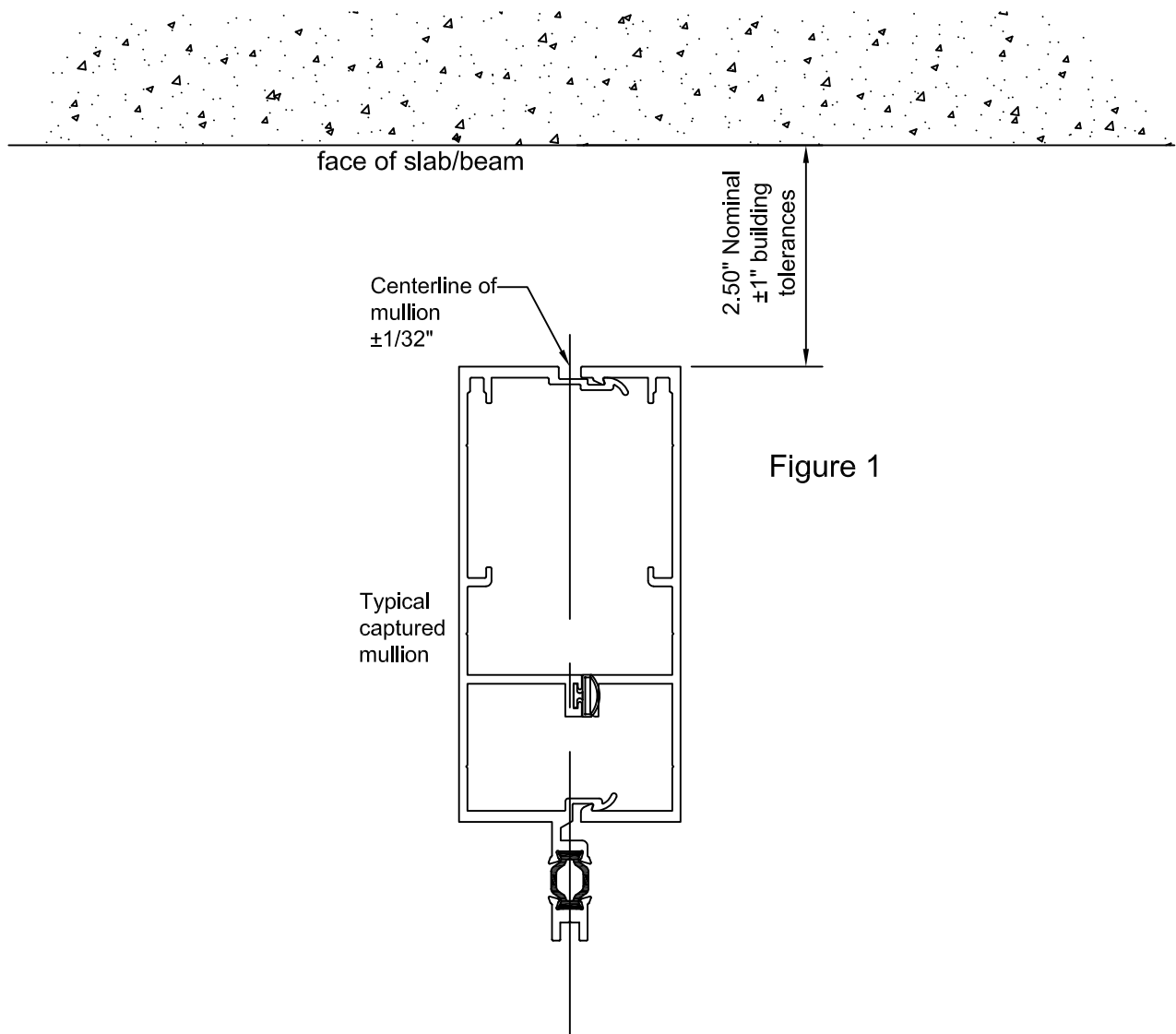


Figure 1

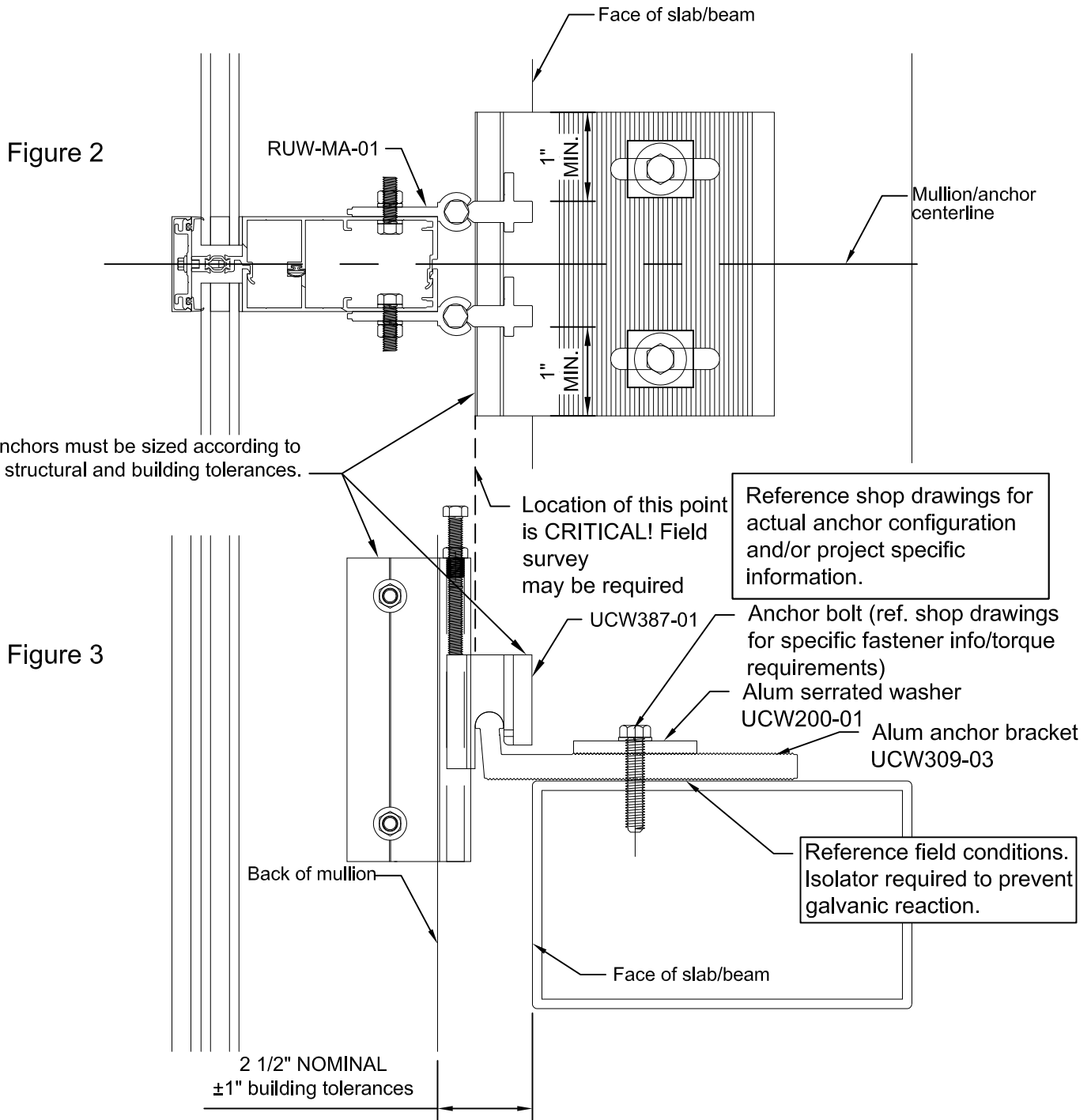
RELIANCE™ UNIT WALL - INSTALLATION MANUAL

1. LOCATE AND INSTALL ANCHORS

See approved shop drawings for anchor types and locations.

Locate centerline of aluminum anchor at the mark for centerline of mullion.

Adjust aluminum anchor bracket for in and out. Apply aluminum serrated washers. Make final in and out adjustment prior to tightening the anchor bolt in place.



LOCATE / INSTALL ANCHORS

RELIANCE™ UNIT WALL - INSTALLATION MANUAL

1. INSTALL ANCHOR HOOKS

Back off set screw at the top of the anchor bracket, slide in the anchor hook.

Tighten up set screw, the screw is to prevent anchor hook from sliding out of the anchor bracket during frame installation.

Figure 4

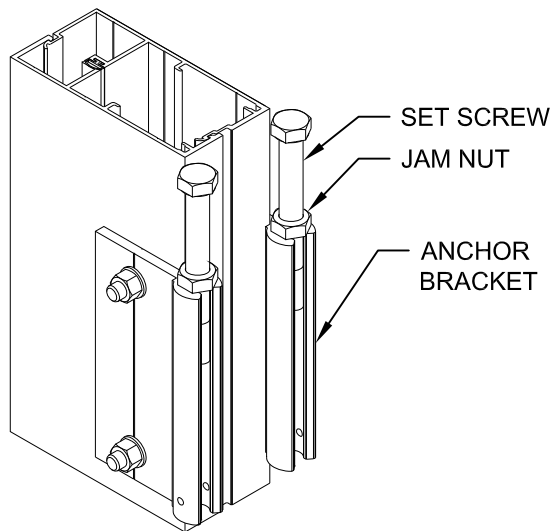


Figure 5

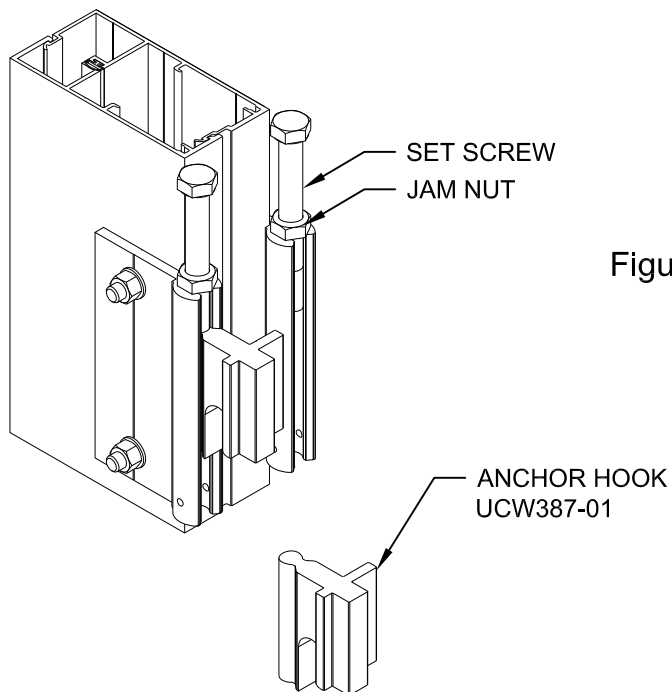
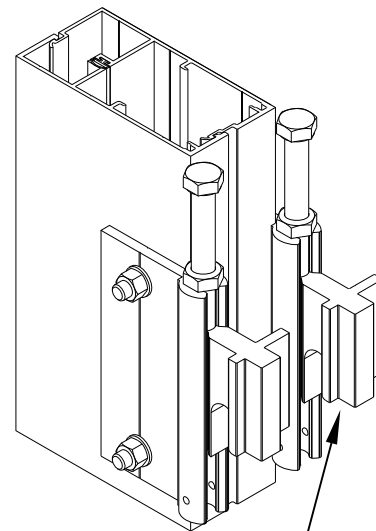


Figure 6



Slide the anchor hook
into anchor bracket

RELIANCE™ UNIT WALL - INSTALLATION MANUAL

1. INSTALL STARTER SILL

Locate starter sill per approved shop drawings. The starter sill must be level and straight. The starter sill should run continuously across elevation, whenever splicing is necessary, a min. 1/4" gap should be left for proper seal in-between starter sills.

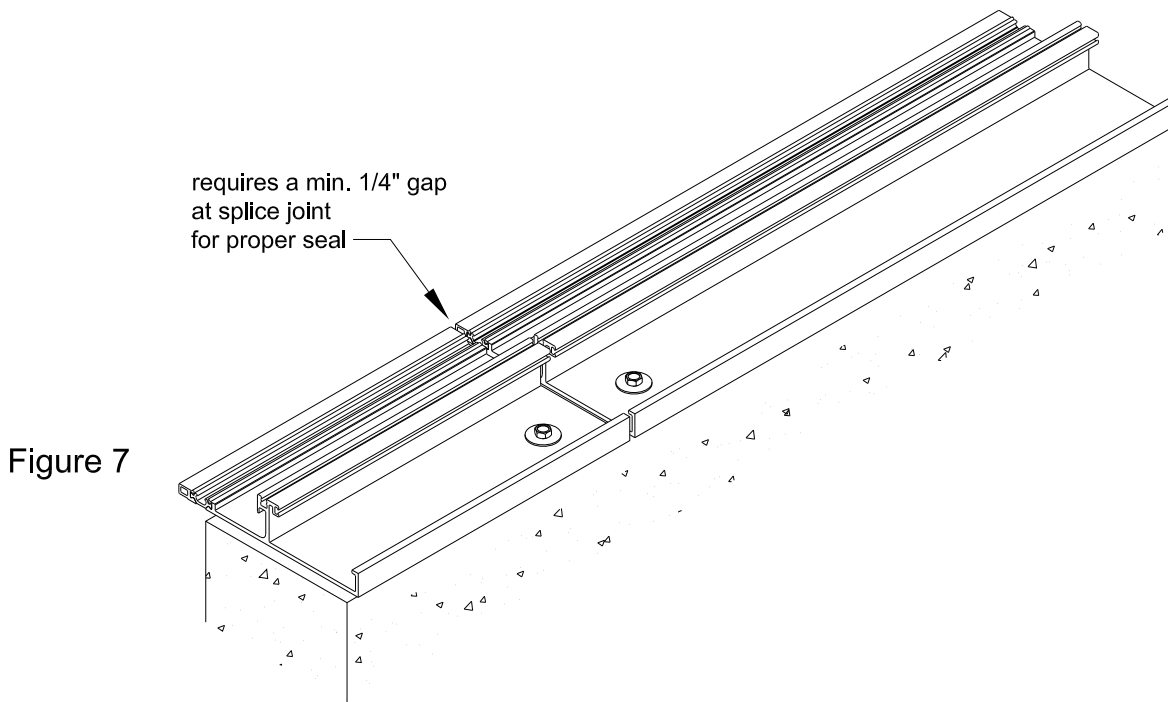


Figure 7

2. PROPER SEAL AT STARTER SILL

Clean and prepare substrates for sealing per sealant manufacturer's recommendations. Apply backer rod and perimeter seals under starter sill. Tool sealant. Apply sealant at splice joints. All splice joints should be sealed from front of the starter sill to the top of the upturned leg. Connect sealant at underside of starter sill with sealant at splice joint.

Apply sealant at outer surface for approximately 3/4" on each side of the joint as shown; set 2" wide (UW-466) silicone sheet on top of the silicone sealant. As shown in figure 8 Page 7.

RELIANCE™ UNIT WALL - INSTALLATION MANUAL

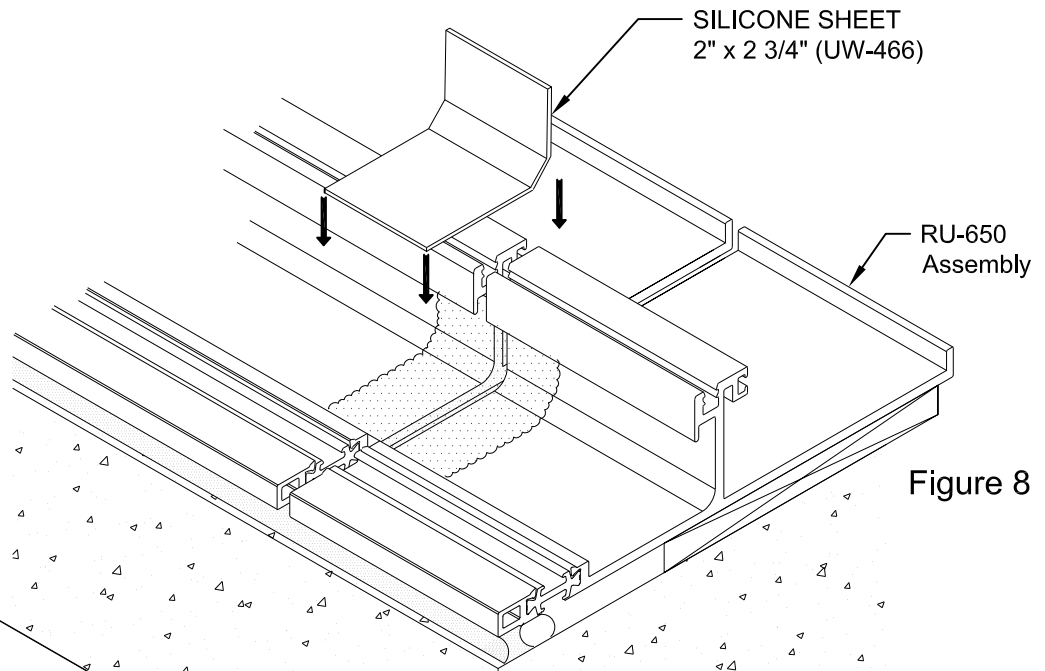


Figure 8

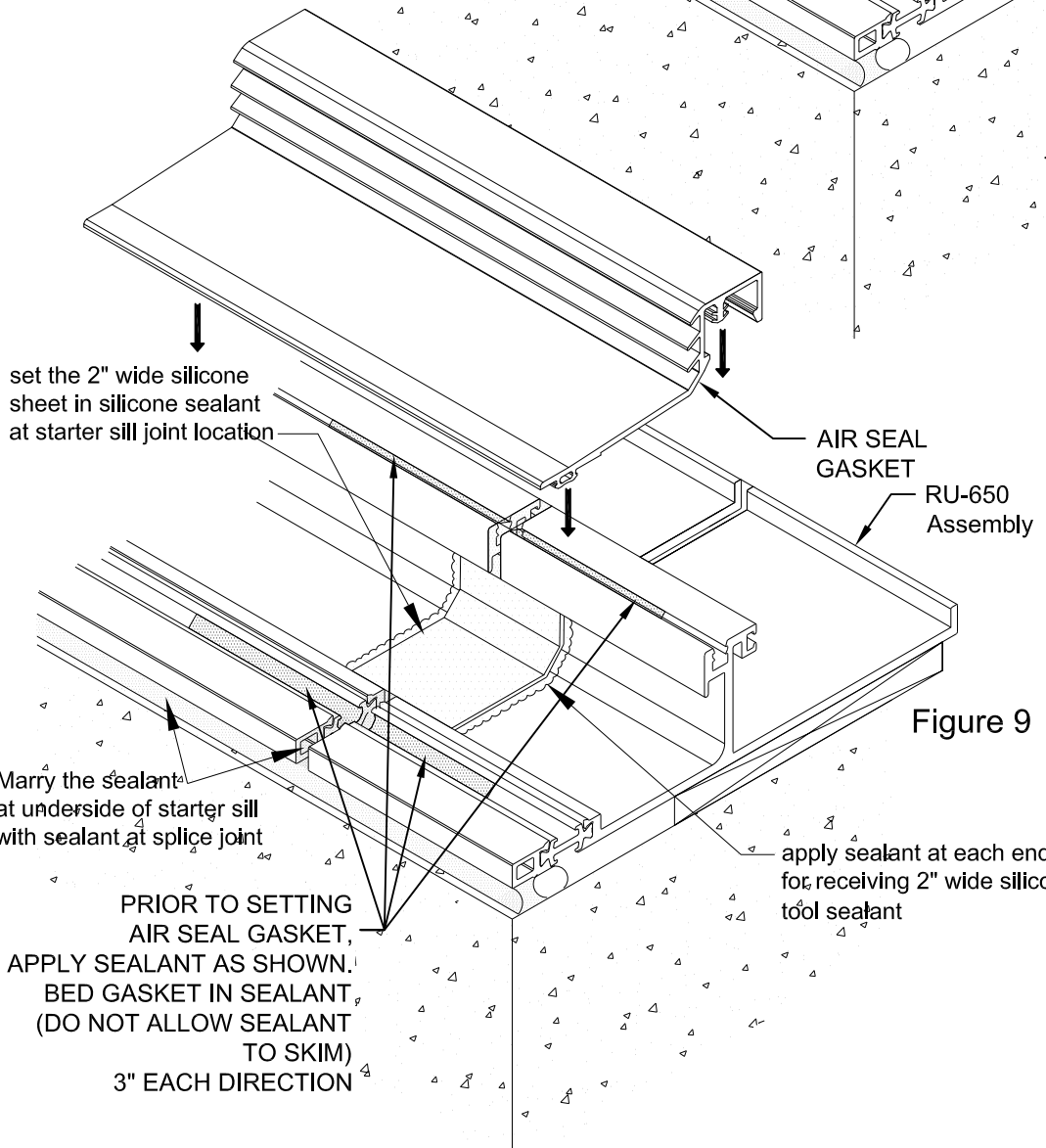


Figure 9

SEAL STARTER SILL 07

RELIANCE™ UNIT WALL - INSTALLATION MANUAL

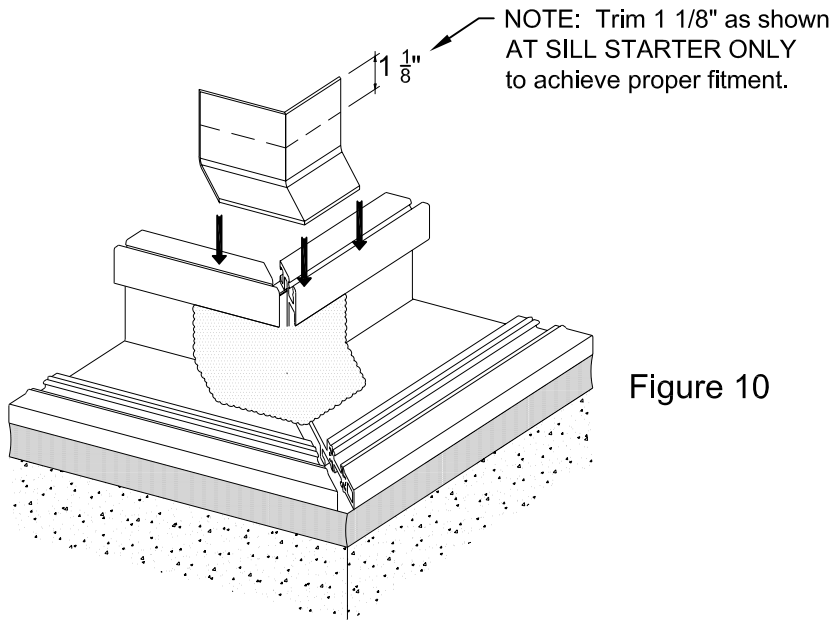
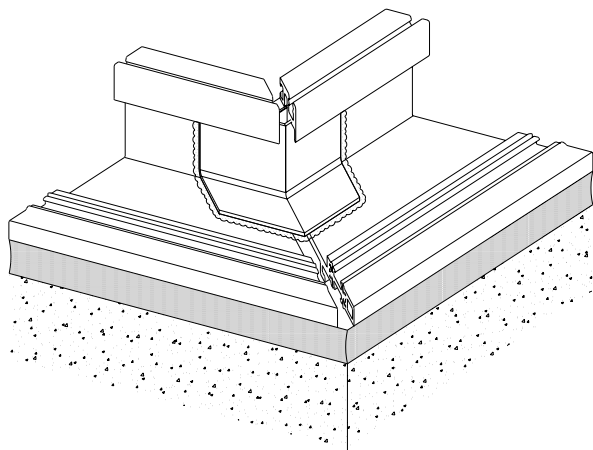
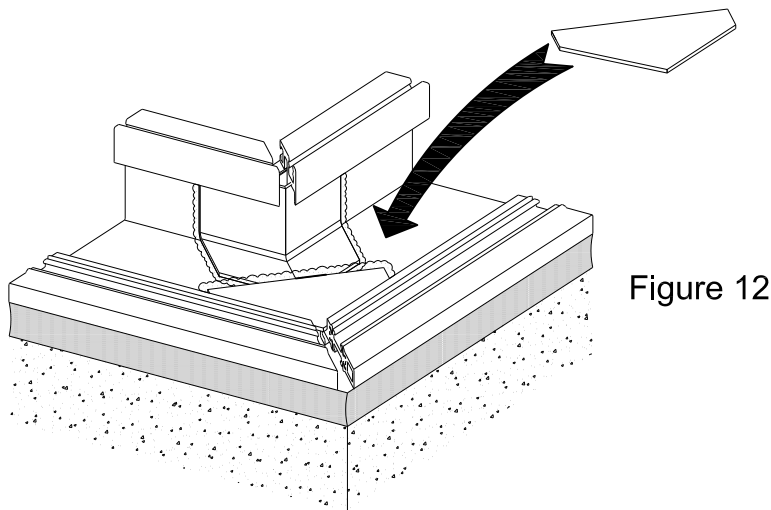


Figure 10

GP-492 to be used at 90° outside corners at both the stack and starter sill conditions.



GP-492 is to be installed using the same procedure illustrated on page 7, figures 8 and 9.



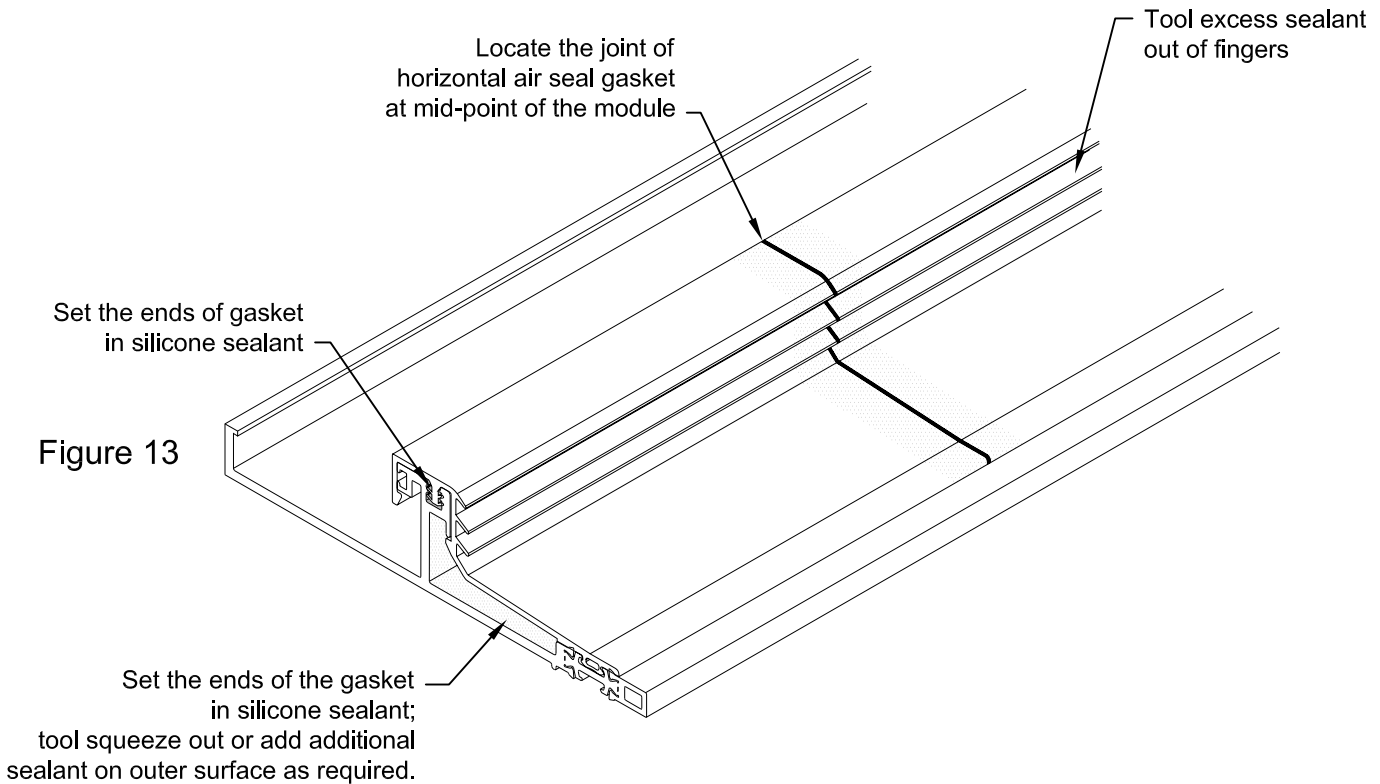
At the starter sill only, in addition to the GP-492 you will need to cut a piece of silicone sheet to fit, and install per the instructions for applying a splice on page 7, figures 8 and 9.

RELIANCE™ UNIT WALL - INSTALLATION MANUAL

4. INSTALL HORIZONTAL AIR SEAL GASKET

Clean areas to receive sealant as per sealant manufacturer's recommendations. Install horizontal air seal gasket GP-186 into starter sills continuously across elevation. Where splicing is necessary, locate the joint at mid-point of the module, apply bead of sealant to set the ends of gasket in place. Tool squeeze out sealant.

Note silicone sealant must adhere to gasket. Submit samples of the air barrier gasket to your sealant manufacturer for sealant adhesion and compatibility testing. Ensure fingers of horizontal air seal gaskets are not filled with silicone as this will hamper frame installation.



RELIANCE™ UNIT WALL - INSTALLATION MANUAL

SAFETY PROCEDURES ARE THE SOLE RESPONSIBILITY OF THE INSTALLER. OLDCASTLE BUILDINGENVELOPE® ASSUMES NO RESPONSIBILITY FOR PROJECT SAFETY PROCEDURES.

1. HOISTING FRAMES

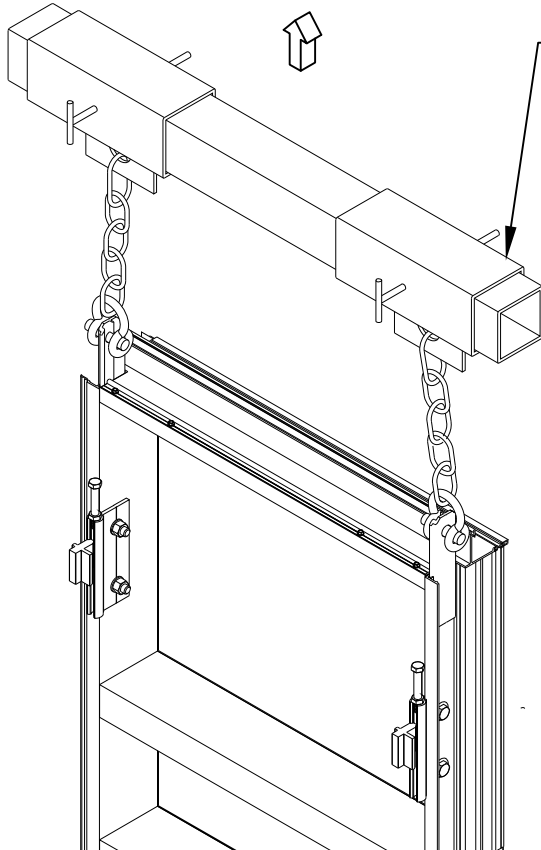
Frames can be hoisted either through anchor lugs (shear angle, non-typical) installed in frame head horizontals or through shear sleeves / lifting lugs typical attached to the mullion halves.

Inspect frames prior to hoisting. For illustration purposes only, a spreader bar is shown as a hoisting device. Other lifting devices can be used. Means & methods are the sole responsibility of the installer. The spreader bar chains should be spaced the same distance as the distance between hoisting holes in head horizontal or hoisting holes on sleeves. Maximum frame weight to be 1500 pounds.

Handle frame to hoist smoothly and in a controlled manner. No swinging or spinning allowed during hoisting. Avoid shock loads. Do not lift the frame sideways (such as to rotate the frame) when using shear sleeves, as this could bend the sleeves and hamper installation of next level stacking unit, which must sleeve down onto shear sleeves. Always rotate the frame upright from lay down position by lifting perpendicular to the unit width.

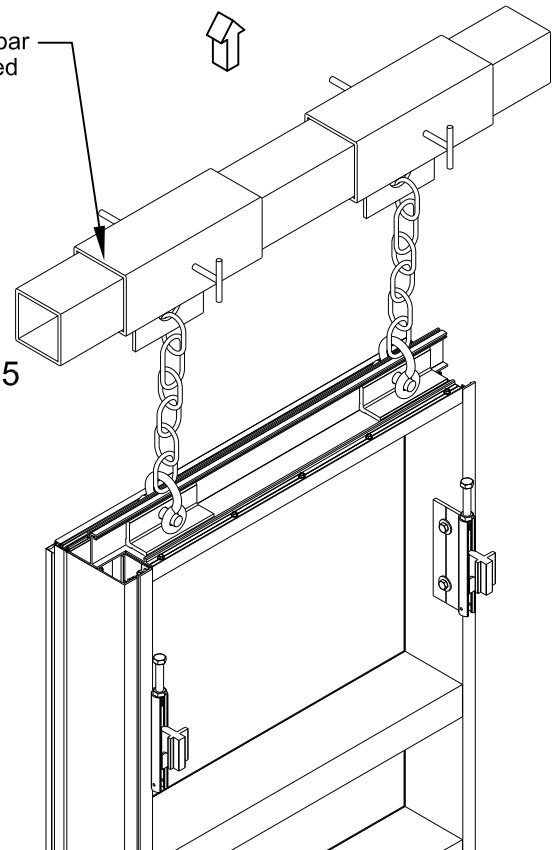
Spreader bar should indicate hoisting configuration depending on frame weight. Ensure hoisting bar is rated for frame weight configuration as required.

Figure 14



Adjust the spreader bar to have chains spaced the same distance as the hoisting holes

Figure 15



RELIANCE™ UNIT WALL - INSTALLATION MANUAL

Frames are to be installed from left to right as viewed from the exterior, and from bottom to top.

Before proceeding to install the first frame, check all starter sill joints to make sure they are properly sealed and horizontal air seal gaskets have been applied.

Apply 3" at intermediate mullion to 6" at jamb mullion long silicone sealant towards exterior portion of the horizontal air seal gasket on top of starter sill at each end. Do not allow sealant to skin before installing frame.

Install the first frame by lifting the frame over starter sill and lower the frame down and rest the anchor hook on pre-set alum anchor at slab/beam.

Figure 16

Use set screw to set elevation of frame prior to placing full deal load of unit onto the anchor.

NOTE: Do not use set screw as means to raise unit.

Install FS-8 to laterally freeze anchor hook in place.

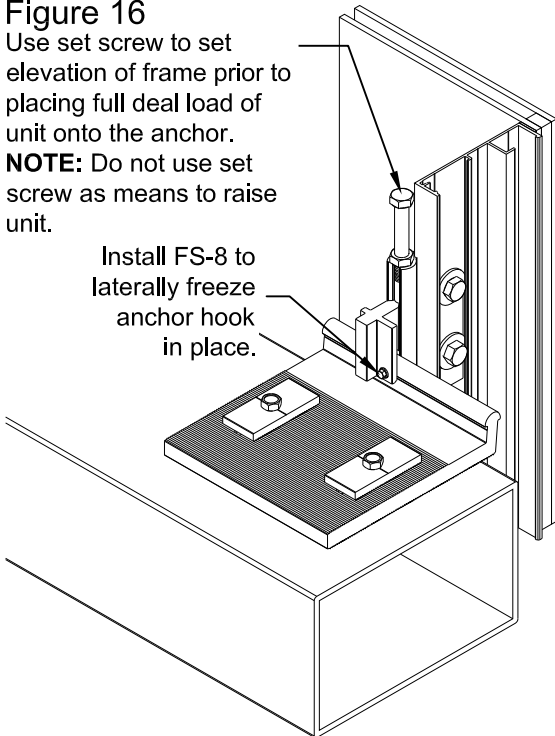
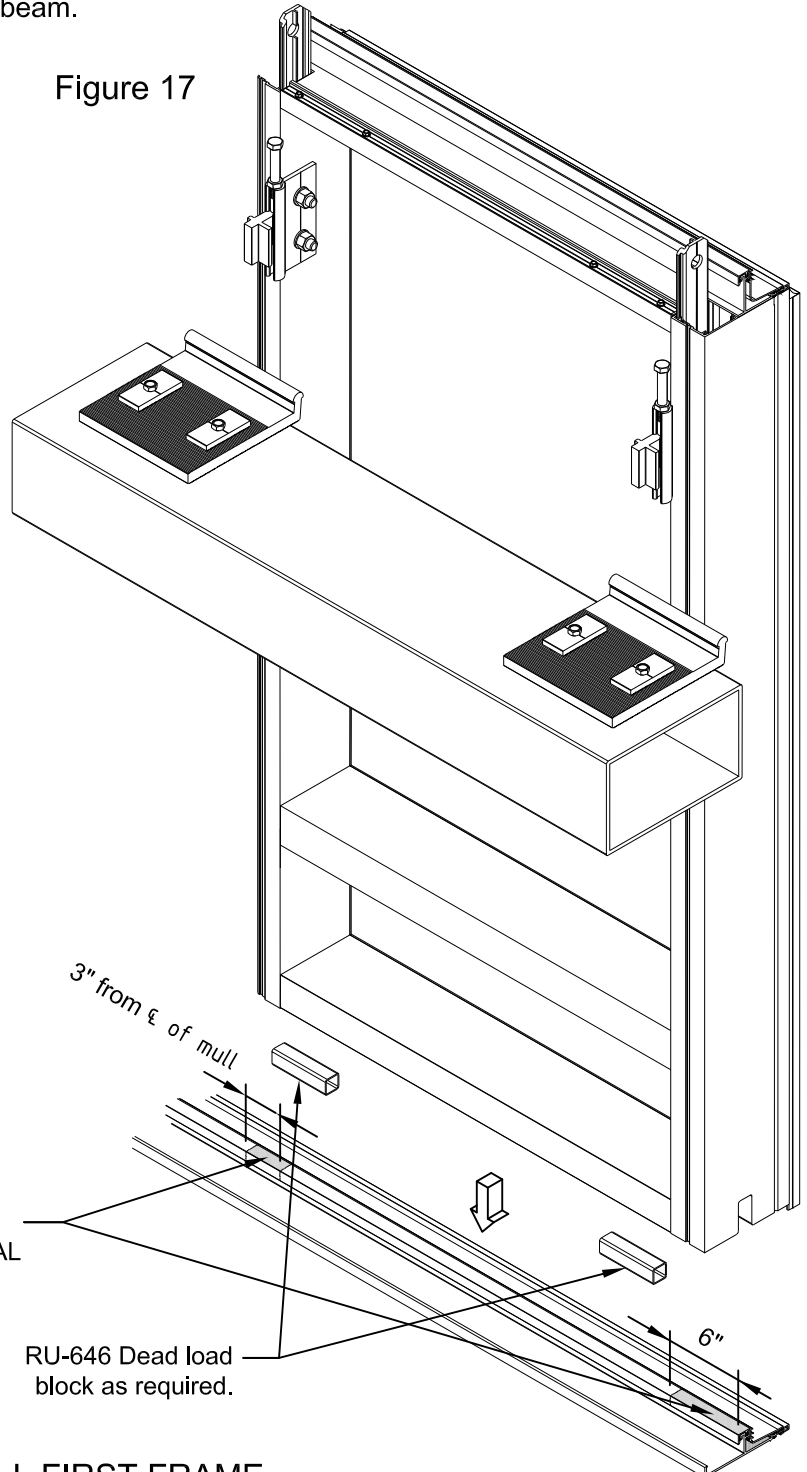
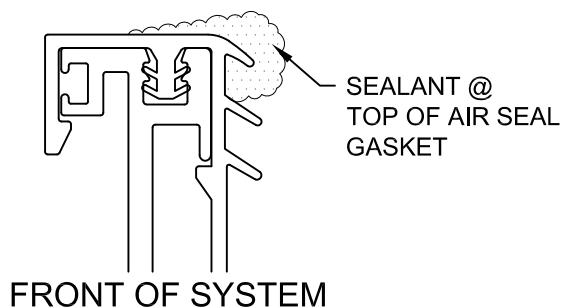


Figure 17



Use the set screw on anchor bracket to adjust the elevation of the frame. Adjust the elevation of the frame to make sure the frame is level, plumb and at the correct height. After adjustment, freeze the anchor hook for lateral movement by installing FS-8 1/4" by 1" hex head screw. Use metal shims if necessary to temporarily maintain the nominal distance between bottom of the mullion and top of the starter sill. Remove shims after adjustment for slip anchor condition at ground floor.



INSTALL FIRST FRAME

RELIANCE™ UNIT WALL - INSTALLATION MANUAL

2. INSTALL ADJACENT FRAMES AT GROUND FLOOR

Just prior to installing the next frame, apply sealant at the bottom of the first frame up vertical air seal gasket GP-483 for approximately 4" long above horizontal air seal gasket. (Figure 18) Connect the vertical seal with the horizontal seal which was previously applied on top of the starter sill. (Figure 19) Do not allow sealant to skin before installing next frame.

Figure 18

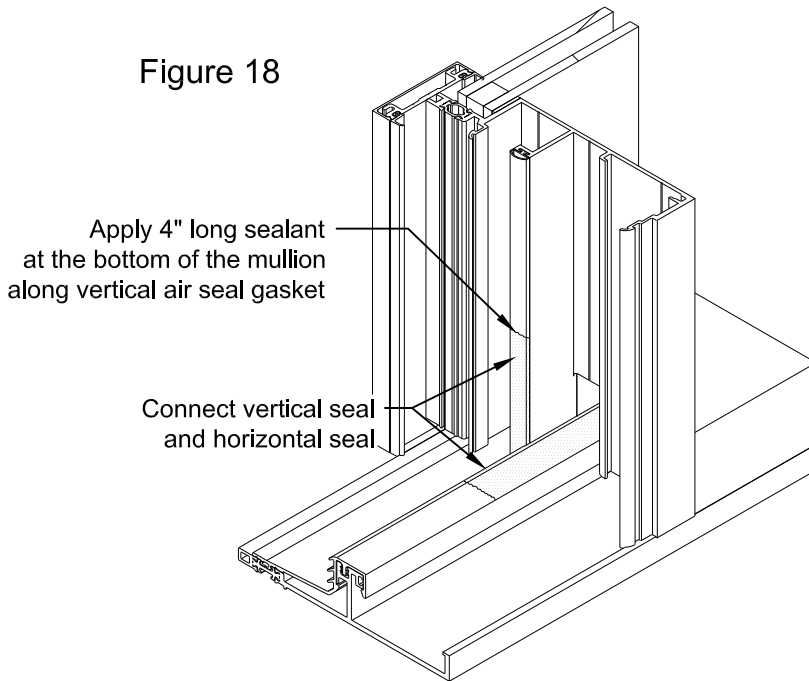
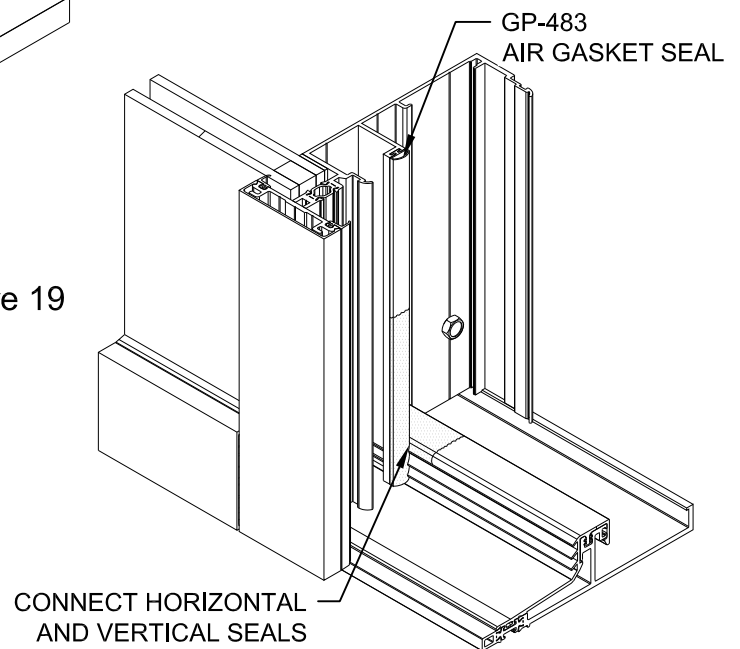


Figure 19



Install the next frame by lifting the frame up to clear the starter sill. Move the next frame to the left to engage the mullion hooks (see detail pg. 13); once snapped, slide the next frame down to engage horizontal air seal at stack joint.

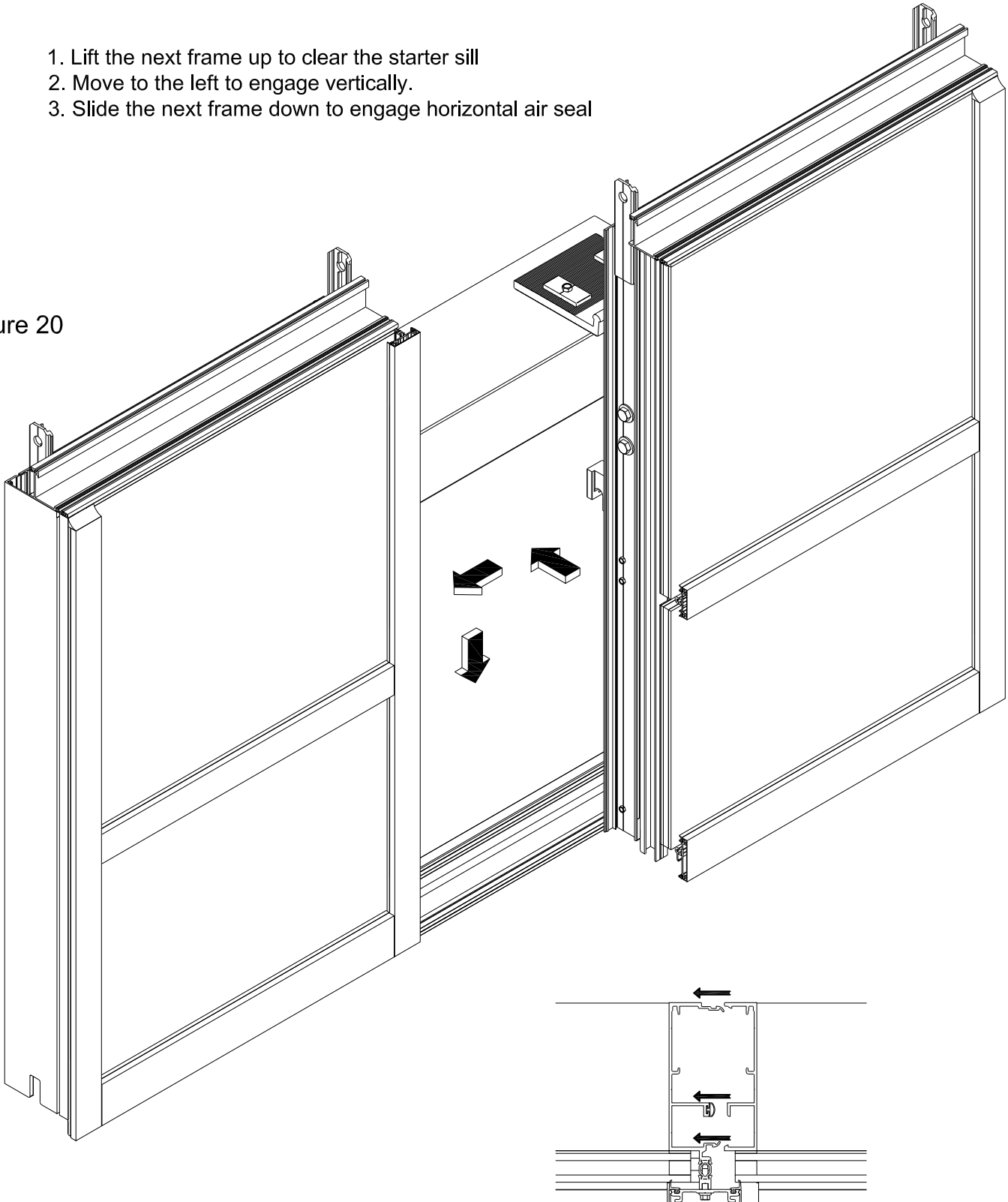
Check and ensure vertical air seal gasket GP-483 has not slid down or up in the gasket raceway in mullion.

Repeat in the same method for installing the rest of the frames at ground floor.

RELIANCE™ UNIT WALL - INSTALLATION MANUAL

1. Lift the next frame up to clear the starter sill
2. Move to the left to engage vertically.
3. Slide the next frame down to engage horizontal air seal

Figure 20



RELIANCE™ UNIT WALL - INSTALLATION MANUAL

1. SEAL THE JOINTS

Clean and prepare the surfaces of the head horizontal at mullion joints per sealant manufacturer's recommendations. Apply sealant along the joint between head horizontals as shown; also apply sealant at front face for approximately 3/4" on each side of the joint as shown; set 2" wide by 3" long silicone sheet on top of the silicone sealant.

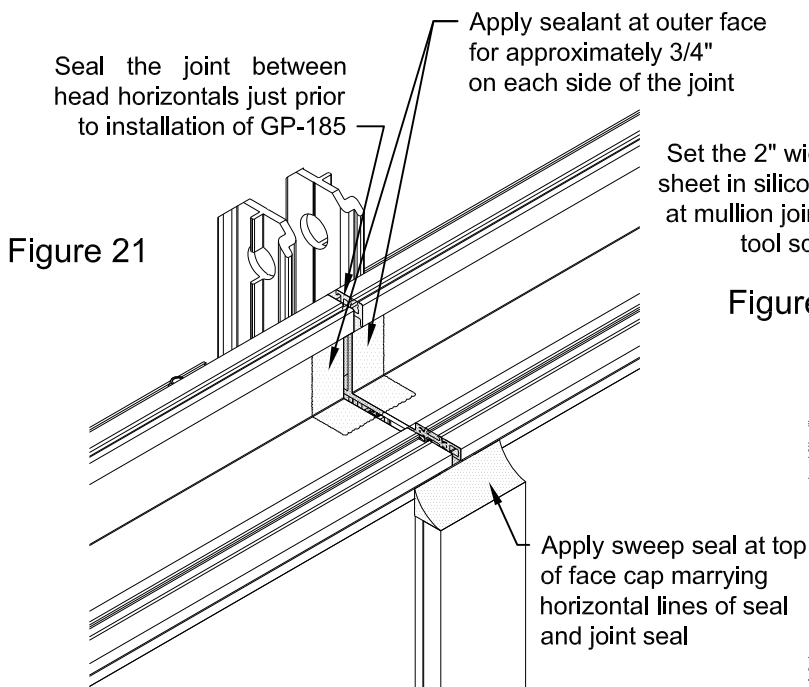


Figure 21

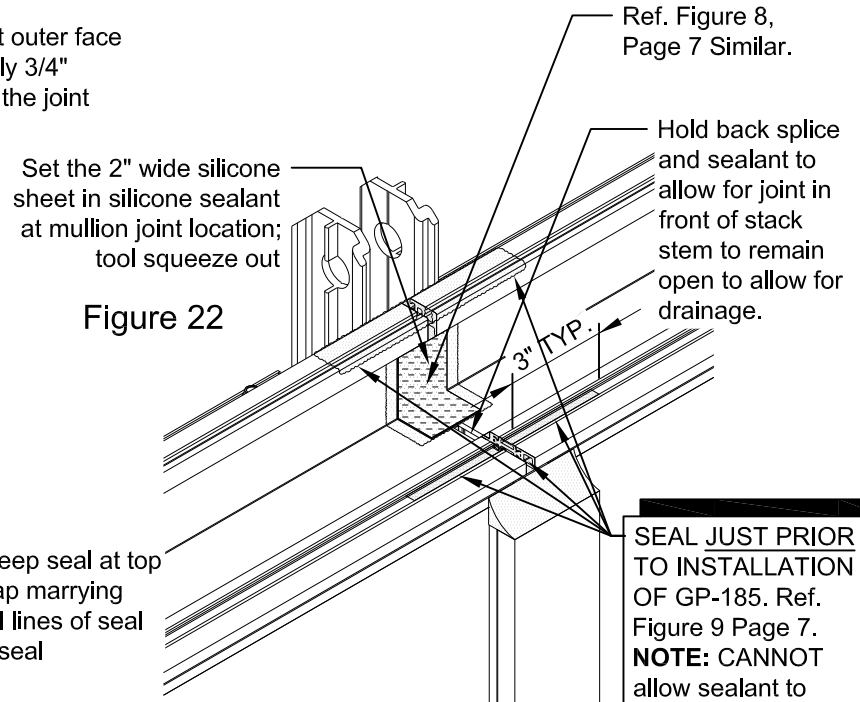


Figure 22

SEAL JUST PRIOR TO INSTALLATION OF GP-185. Ref. Figure 9 Page 7.
NOTE: CANNOT allow sealant to skim prior to air seal gasket installation.

2. INSTALL HORIZONTAL AIR SEAL GASKET

Install horizontal air seal gasket GP-185 into head horizontals continuously across elevation. Apply sealant for approximately 3" long on each side of the splice joint in gasket raceway, push gasket into raceway, tool squeeze out sealant. Where splicing of air seal gasket is necessary, locate the joint at mid-point of the module and apply bead of sealant to set the ends of gasket in place. Push in the next piece of gasket, tool squeeze out sealant and remove excess sealant from outer face.

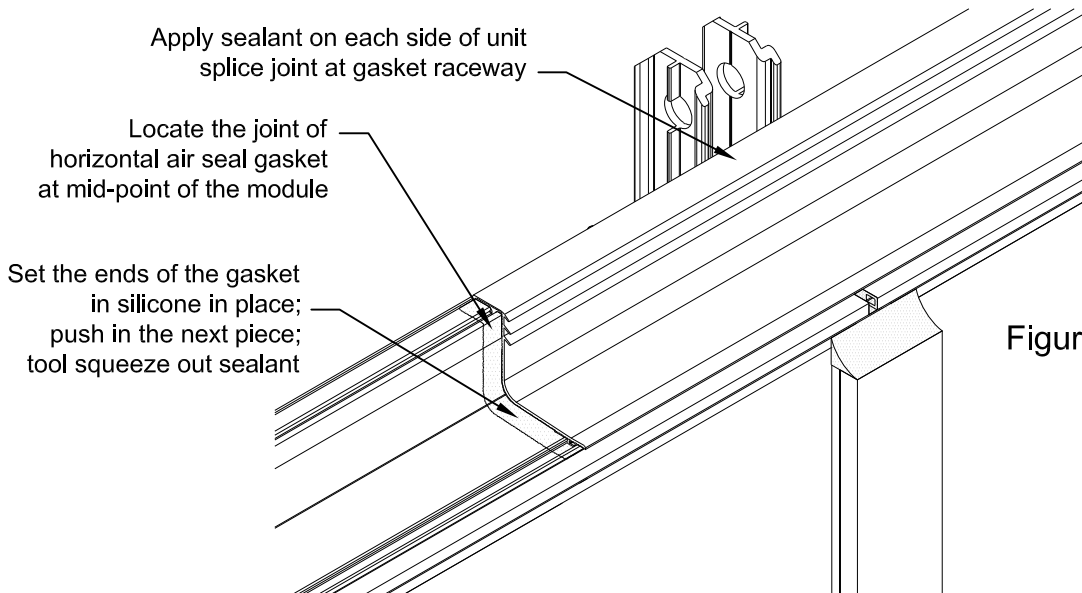


Figure 23

SEAL JOINT/INSTALL HOR. AIR SEAL GASKET

RELIANCE™ UNIT WALL - INSTALLATION MANUAL

3. SEAL THE HOISTING HOLES FOR WINDLOAD ANCHOR LUG OPTION

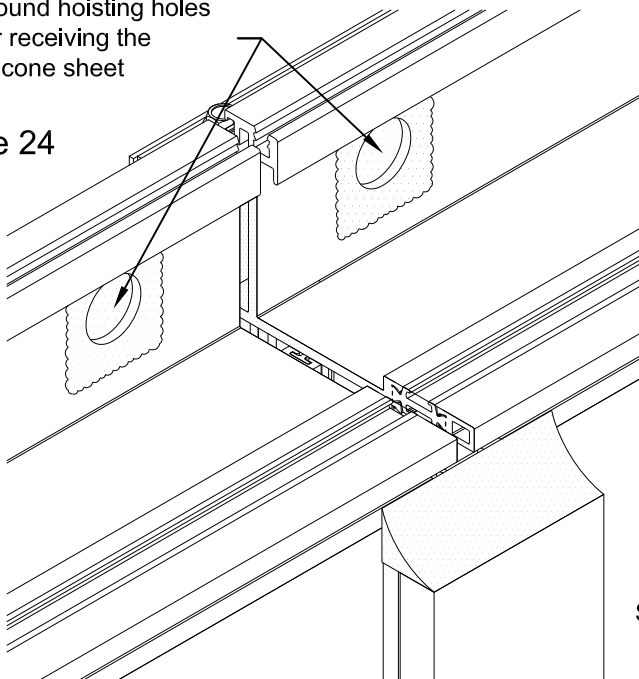
For frames with windload anchor lug (shear angle) option, clean and prepare the surfaces of the head horizontal at mullion joints; apply sealant along the joint between head horizontals; also apply sealant at and around hoisting hole, set 2" by 2" silicone sheet at hoisting hole location.

See page 14 for installation of splice joint.

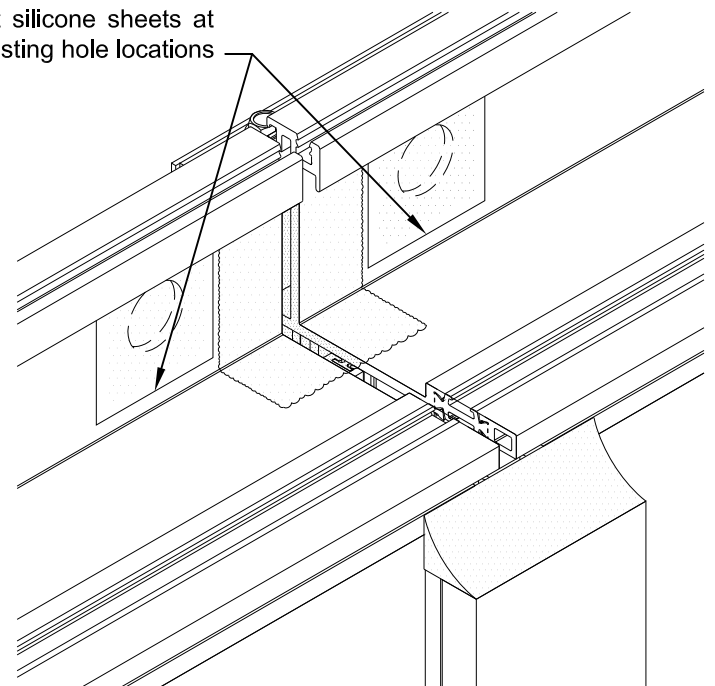
Then install horizontal air seal gasket GP-50041 into head horizontals continuously across elevation (see page 14 for proper procedure at unit joints). Where splicing is necessary, to locate the joint at mid-point of the module and apply bead of sealant and set the ends of gasket in place. Tool squeeze out sealant.

Apply sealant at and around hoisting holes for receiving the silicone sheet

Figure 24



Set silicone sheets at hoisting hole locations



NOTE: Non-typical detail. Detail provided to illustrate hoisting hole sealing requirements. Refer to sheet Figure 25 14 Figures 21, 22 and 23 for typical sealant methods of horizontal splice and air seal gasket.

SEAL HOISTING HOLES (WITH SHEAR ANGLE)

RELIANCE™ UNIT WALL - INSTALLATION MANUAL

4. INSTALL FIRST FRAME AT UPPER LEVEL

Before proceeding to upper level, check all horizontal joints at lower level to make sure they are properly sealed and horizontal air seal gaskets have been applied (reference page 9).

Apply a 3" to 6" long bead of silicone sealant towards exterior portion of the horizontal air seal gasket (reference page 11) on top of head horizontal at each end at the frame below. This sealant will marry into the 4" sealant applied to the vertical air barrier gasket. (reference page 12) (NOTE: Apply these sealants only just prior to installing the unit. DO NOT allow to skin) Install the first frame at upper level by lifting the frame over head horizontal and shear sleeve/lifting lug and lower the frame down.

Use the adjustment bolt on anchor bracket to adjust the elevation of the frame. **NOTE:** Do not use adjustment screw to raise unit. Use shims if necessary to maintain the nominal distance between bottom of the mullion and top of the head horizontal. Remove shims after adjustment.

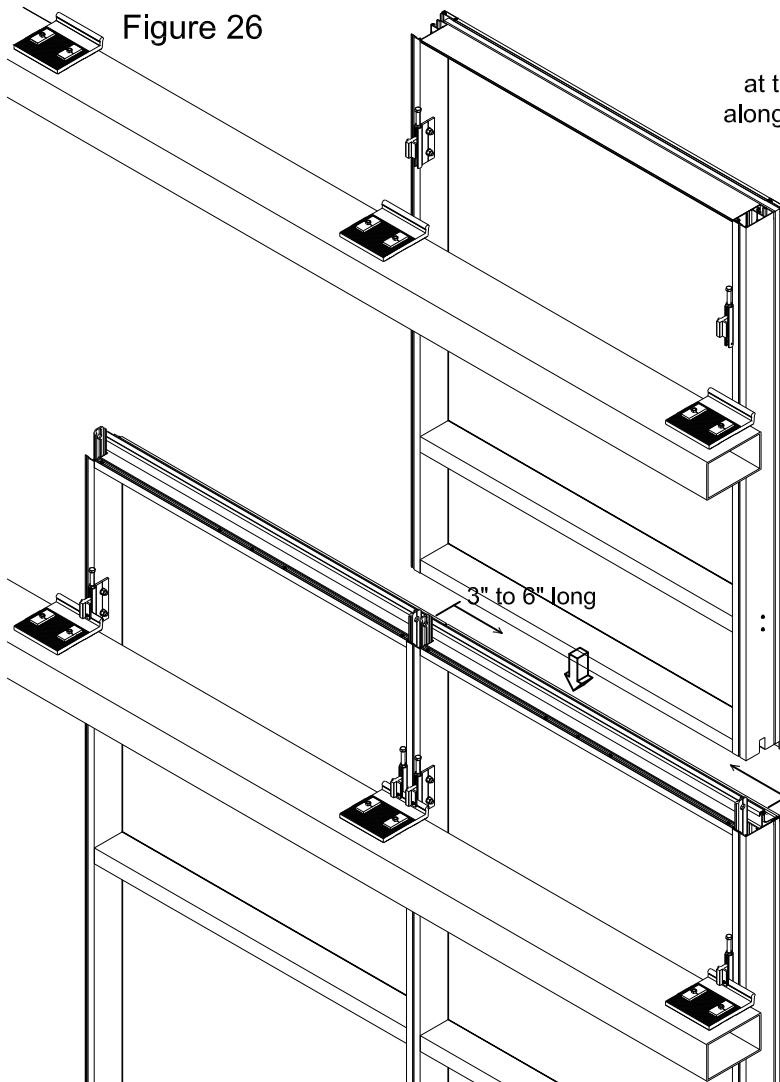


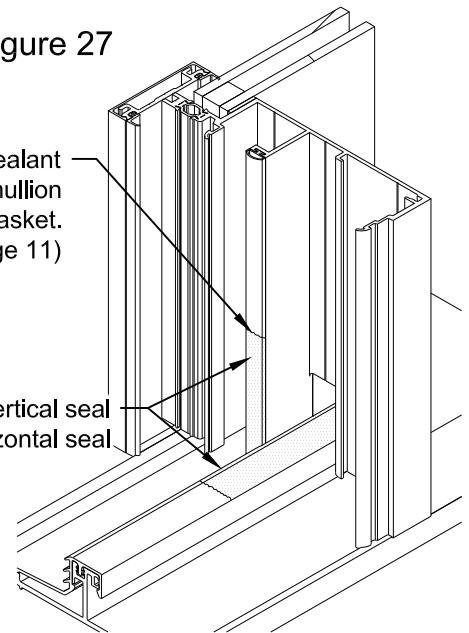
Figure 26

INSTALL UPPER LEVEL FRAME

Figure 27

Apply 4" long sealant at the bottom of the mullion along vertical air seal gasket. (Reference page 11)

Connect vertical seal and horizontal seal



3" to 6" long

Apply 3" to 6" long of sealant on top of head horizontal towards the exterior portion of horizontal air seal gasket

RELIANCE™ UNIT WALL - INSTALLATION MANUAL

5. INSTALL ADJACENT FRAMES AT UPPER LEVEL

Just prior to installing the next frame, apply sealant at the bottom of the first frame up vertical air seal gasket GP-186 for approximately 4" long above horizontal air seal gasket. Connect the vertical seal with the horizontal seal which was previously applied on top of the head horizontal.

Figure 28

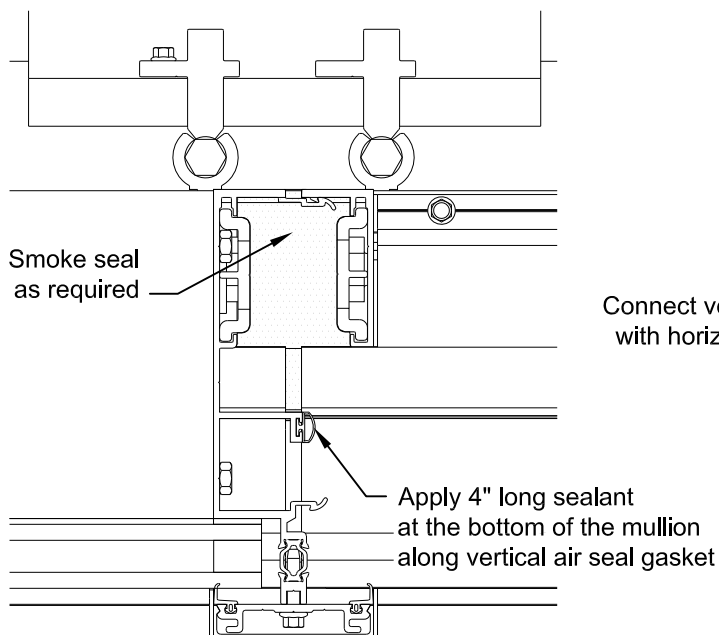
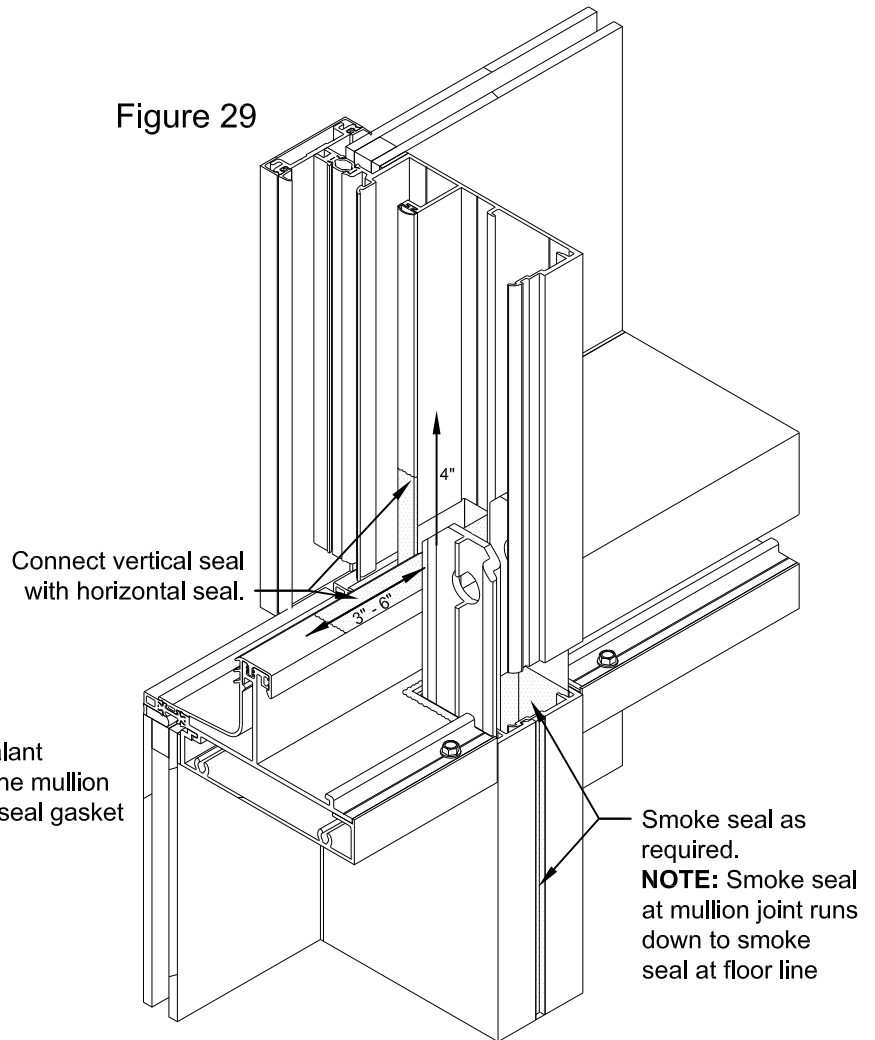


Figure 29



Install the next frame by lifting the frame 4" to 6" above previous frame to clear the sleeves and head horizontals. Move the next frame to the left to engage the outer mullion hooks; then rotate the next frame towards building to snap inner hooks; once snapped, slide the next frame down to engage horizontal air seal at stack joint. (Reference page 18)

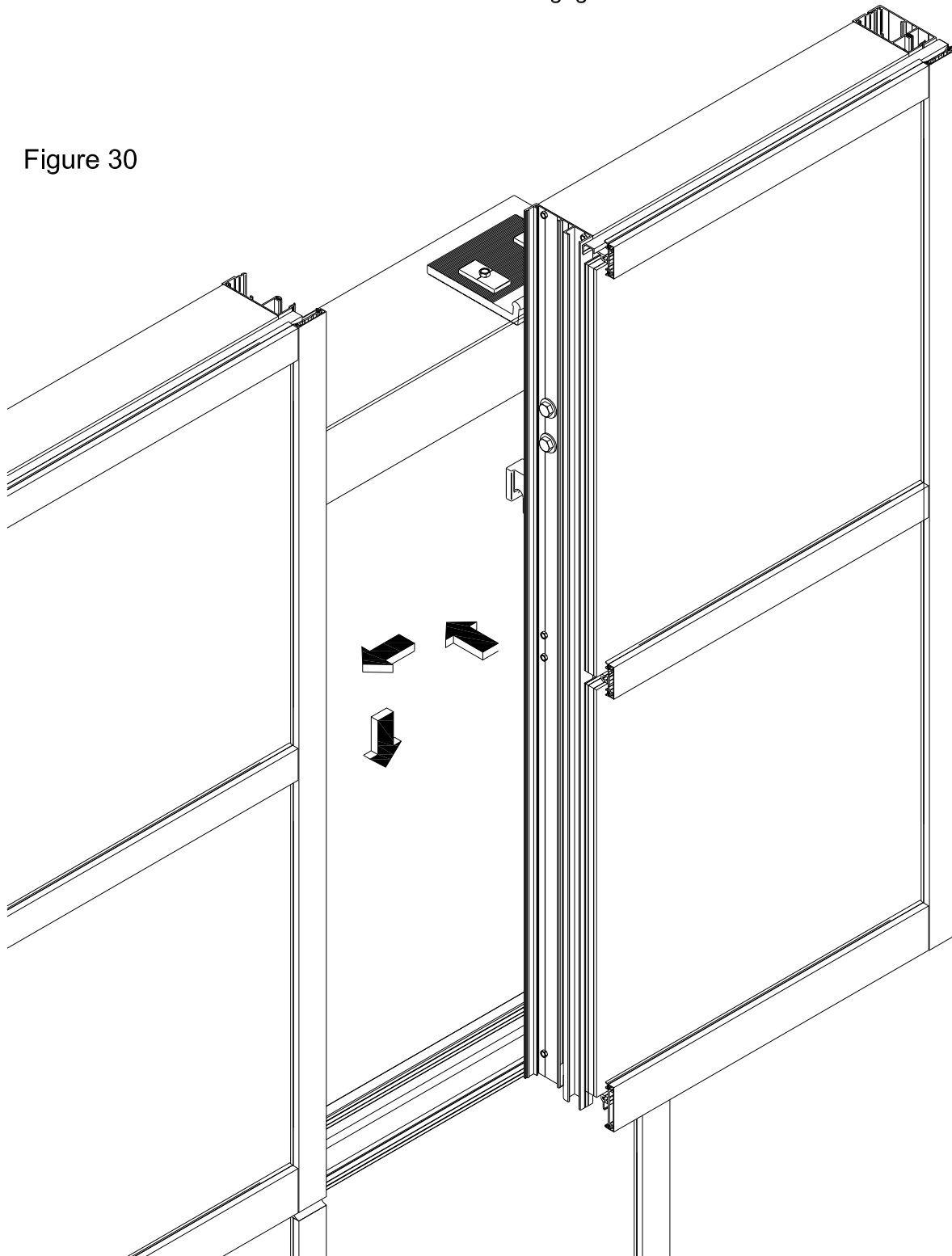
Again use adjustment bolt on anchor bracket to set the final elevation of the frame, then freeze the lateral movement by installing FS-8 screw on anchor hook.

Repeat in the same method for installing the rest of the frames.

RELIANCE™ UNIT WALL - INSTALLATION MANUAL

1. Lift the next frame up to clear the starter sill
2. Move to the left to engage vertically.
3. Slide the next frame down to engage horizontal air seal

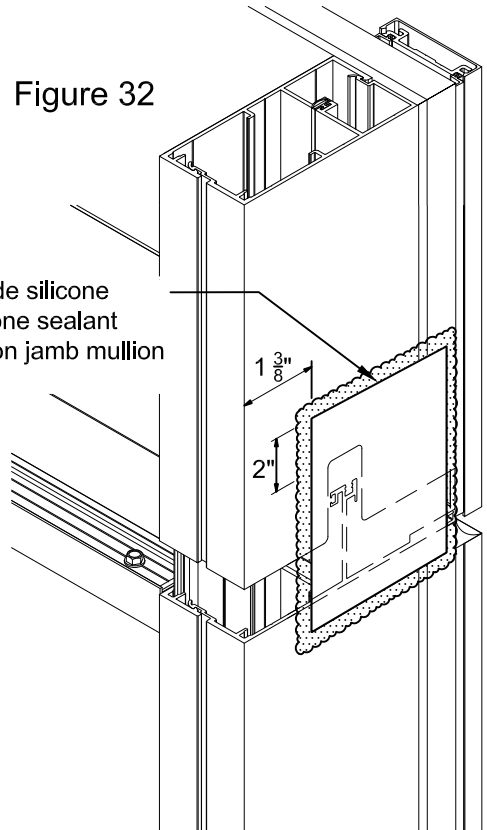
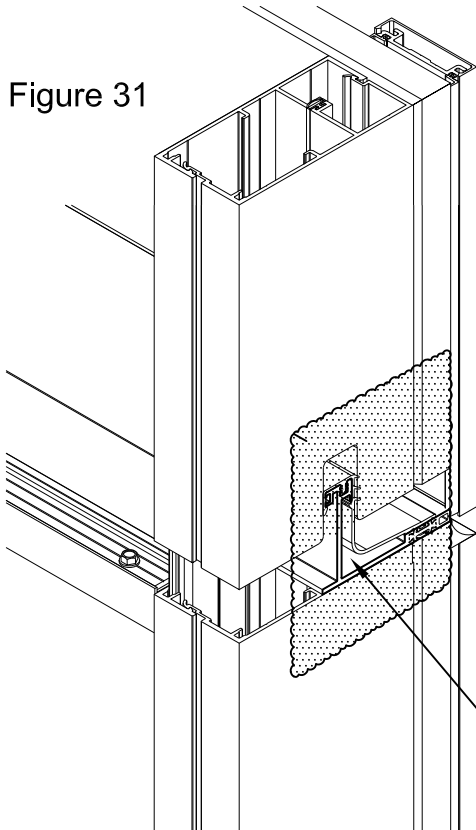
Figure 30



RELIANCE™ UNIT WALL - INSTALLATION MANUAL

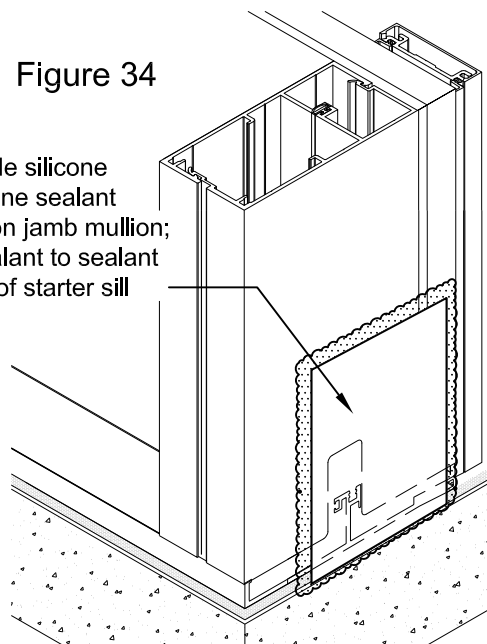
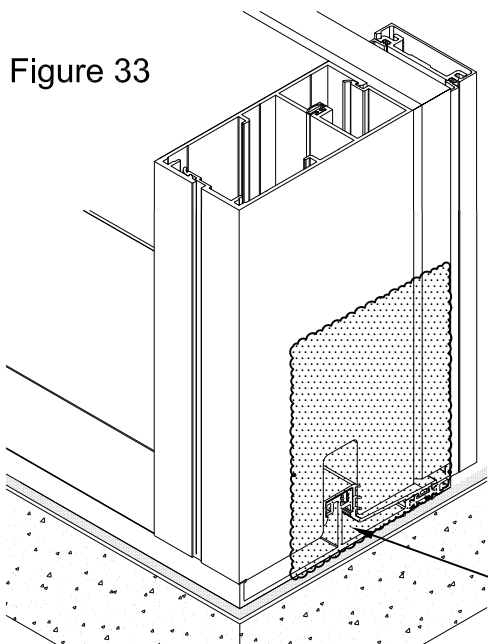
1. SEAL AT THE NOTCH ON JAMB MULLION

For jamb frames at expansion joints or starter sills, apply sealant at the notch on mullion above and below the expansion joint. Set silicone sheet in place as required.



Set the 4" wide silicone sheet in silicone sealant at the notch on jamb mullion tool sealant

Make sure to set the end of the air seal gasket in silicone



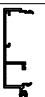

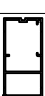








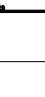



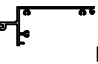

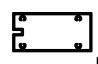
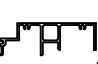

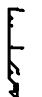



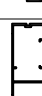


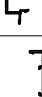
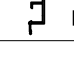

Set the 4" wide silicone sheet in silicone sealant at the notch on jamb mullion; marry the sealant to sealant at underside of starter sill




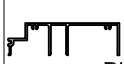
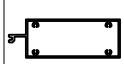
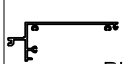

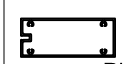
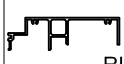
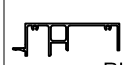





Make sure to set the end of the air seal gasket in silicone

SEAL AT NOTCH OF JAMB MULLION



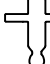









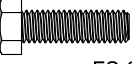
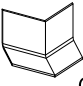




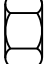









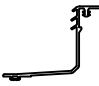
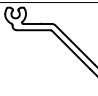
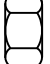

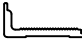

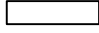
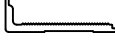
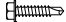






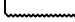
RELIANCE™ UNIT WALL - INSTALLATION MANUAL

7" SYSTEM	
	Male Corner Mullion 90° Outside Captured
	Female Corner Mullion 90° Outside Captured
	Male Mullion Captured
	Female Mullion Captured
	Jamb Captured
	Jamb Non Captured
	Male Mullion Non Captured
	Female Mullion Non Captured
	Head Horizontal Non Captured
	Filler Trim for Head Horizontal
	Dead Load Sill Starter
	Stack Horizontal @ Stack Condition
	Head Horizontal @ Stack Condition
	Sill 1" Infill, Captured
	Standard Horizontal Captured

	Head Horizontal Captured
	Sill Non Captured
	Standard Horizontal Non Captured
	Dead Load Sill, Captured
	Dead Load Sill, Non Captured
8" SYSTEM	
	Male Corner Mullion 90° Outside Captured
	Female Corner Mullion 90° Outside Captured
	Male Mullion Captured
	Female Mullion Captured
	Jamb Captured
	Jamb Non Captured
	Male Mullion Non Captured
	Female Mullion Non Captured
	Head Horizontal Non Captured
	Filler Trim for Head Horizontal

	Dead Load Sill Starter
	Stack Horizontal @ Stack Condition
	Head Horizontal @ Stack Condition
	Sill, Captured
	Standard Horizontal Captured
	Head Horizontal Captured
	Sill Non Captured
	Standard Horizontal Non Captured
	Dead Load Sill, Captured
	Dead Load Sill, Non Captured
COMMON EXTRUSIONS	
	Pressure Plate for 3 1/2" Face Cap @ Stack, Captured
	3 1/2" Face Cap @ Stack Condition, Captured
	Pressure Plate for 2 1/2" Face Cap (Typ.), Captured
	2 1/2" Face Cap @ Typical Condition, Captured
	Pocket Filler, Captured

RELIANCE™ UNIT WALL - INSTALLATION MANUAL

	RU-657	Perimeter Filler, Non Captured		FS-346	Taplock Threaded Insert 3/8"-16x11/16"		UCW-387	Anchor Lug Typical
	SPW-1482	Perimeter Filler Cap, Non Captured		FS-317	Attachment Pin		RU-668	7" Mullion Anchor Typical
	RU-230	Pressure Plate for 90° Corner Face Cap Captured		UW-465	Silicone Splice 4"		UCW-20050	7" Mullion Anchor 90° O.S. Corner
	RU-231	Face Cap for 90° Corner Condition Captured		UW-466	Silicone Splice 2"		UCW-309	Anchor Plate Typical
ACCESSORIES								
	FS-289	Hex Head Bolt 3/8" X 1 1/4"		GP-492	Formed Silicone Boot for Sealing of 90° O.S. Corner		UCW-200	Serrated Anchor Plate Washer
	FSW-80	Flat Washer For 3/8" Bolt		GP-483	Santoprene Weather Gasket		UCW-6006	Lifting Lug Typical
	FSN-81	Nut For 3/8" Bolt		GP-142	EPDM Isolator		UCW-6012	Lifting Lug 90° O.S. Corner
	FS-74	Hex Head Bolt 1/2"-13 X 2"		GP-50008	EPDM / Silicone Gasket		RU-647	Dead Load Block
	FSW-73	Flat Washer For 1/2" Bolt		GP-50028	EPDM / Silicone Weatherseal Gasket		RU-768	8" Mullion Anchor Typical
	FSW-71	Lock Washer For 1/2" Bolt		GP-185	Air Seal Gasket @ Stack		RU-237	8" Mullion Anchor 90° O.S. Corner
	FSN-69	Nut For 1/2"-13 Bolt		GP-186	Air Seal Gasket @ Sill		RU-201	7" Sill Shear Angle
	FS-8	Typical Assembly Fastener		GP-484	1" X 1/4" Setting Block		RU-204	8" Sill Shear Angle
	FS-322	Vertical Pressure Plate, Pocket Filler / Chicken Head Fastener		GP-485	5/16" X 1/2" Spacer Block		RU-645	Stack Shear Angle
	FS-325	Horizontal Pressure Plate Fastener		HP-17	Edge Block Modified as Needed			
	FS-347	Adjustment Bolt 3/8"-16x5" Square Head Cup Point Bolt		3M™ VHB™ SGT	3M Structural Glazing Tape (NOT Provided by O.B.E.)			
				UCW-8759	Serrated Washer			