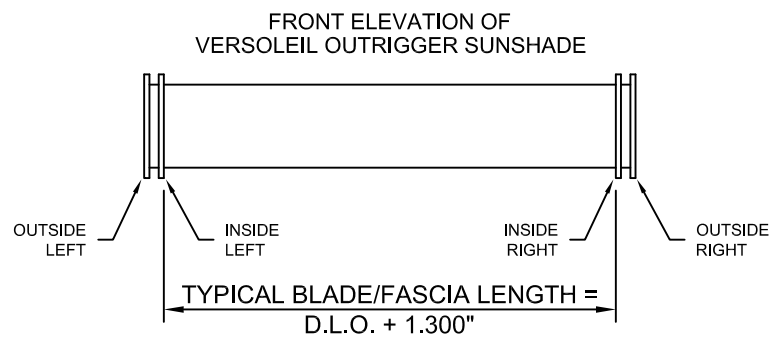


SUNSHADE INSTALLATION INSTRUCTIONS FOR TRIFAB 451/451T/451UT SCREW SPLINE CENTER GLAZED SYSTEM

THE FOLLOWING INSTRUCTIONS ARE FOR THE INSTALLATION OF THE KAWNEER VERSOLEIL OUTRIGGER SUNSHADE ON TRIFAB 451/451T/451UT SCREW SPLINE CENTER GLAZED SYSTEM. USE THESE INSTRUCTIONS IN CONJUNCTION WITH TRIFAB VG SHEAR BLOCK INSTALLATION INSTRUCTIONS (451VG970).

THE TERMS "INSIDE" AND "OUTSIDE" ARE USED EXTENSIVELY IN THESE INSTRUCTIONS. THESE TERMS DO NOT REFER TO THE INTERIOR AND EXTERIOR OF THE BUILDING. THE TERMS REFER TO THE RELATIVE POSITION OF WORK PERFORMED ON THE SUNSHADE FROM AN ELEVATION PERSPECTIVE. SIMILARLY, THE TERMS "RIGHT" AND "LEFT" ARE USED.



GENERAL NOTES:

THE 2-1/4" WIDE MULLION MUST BE USED AT JAMBS ALONG WITH THE STEEL ANCHOR WHEN INSTALLING SUNSHADES ON TRIFAB SCREW SPLINE FRAMING.

STANDARD OPEN JAMB MEMBER CANNOT BE USED.

A MINIMUM CAULK JOINT OF 1/2" IS REQUIRED AT THE HEAD OF THE FRAMING TO ACCOMMODATE THE STEEL ANCHOR.

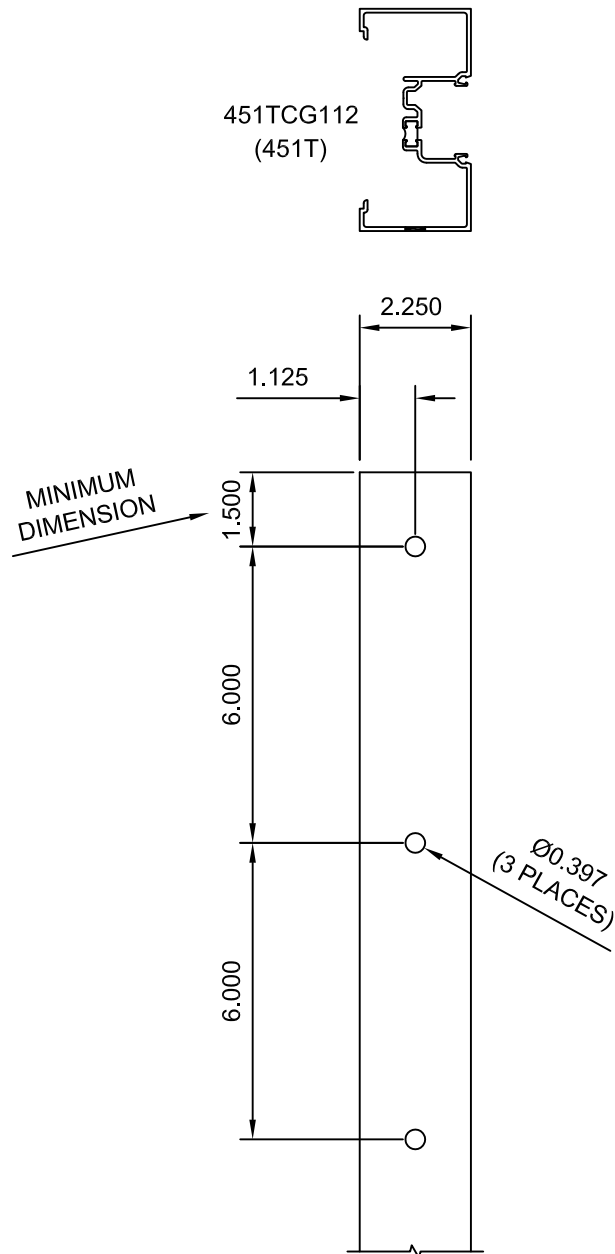
STEP 1 - ANCHOR CLIP VERTICAL MULLIONS PREPS

COMPLETE STEPS ON PAGE 16 OF SECTION V - FRAME FABRICATION & ASSEMBLY AS OUTLINED IN THE TRIFAB VG SCREW SPLINE INSTALLATION INSTRUCTION BOOKLET (451VG970).

DRILL THREE CLEAR HOLES IN THE EXTERIOR FACE OF ALL VERTICAL MULLIONS AT THE LOCATIONS SHOWN BELOW.

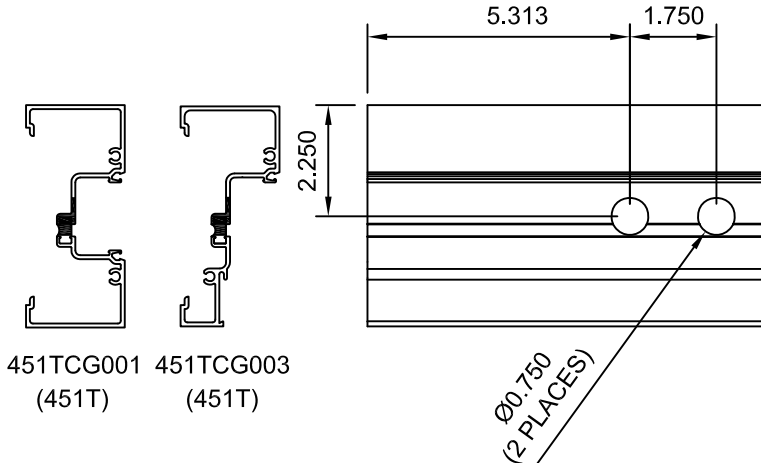
NOTE:
SUNSHADES MAY BE LOCATED DOWN TO A MAXIMUM OF 36" FROM THE TOP OF THE VERTICAL MULLIONS TO THE CENTERLINE OF OUTRIGGER.

THE FIRST HOLE HAS TO BE LOCATED A MINIMUM OF 1-1/2" FROM THE TOP OF THE VERTICAL MULLION. THIS WILL PLACE THE SUNSHADE AS CLOSE TO THE TOP OF THE FRAME AS POSSIBLE.



STEP 2 - ADD ANCHOR PERIMETER ACCESS HOLES TO HEAD MEMBERS.

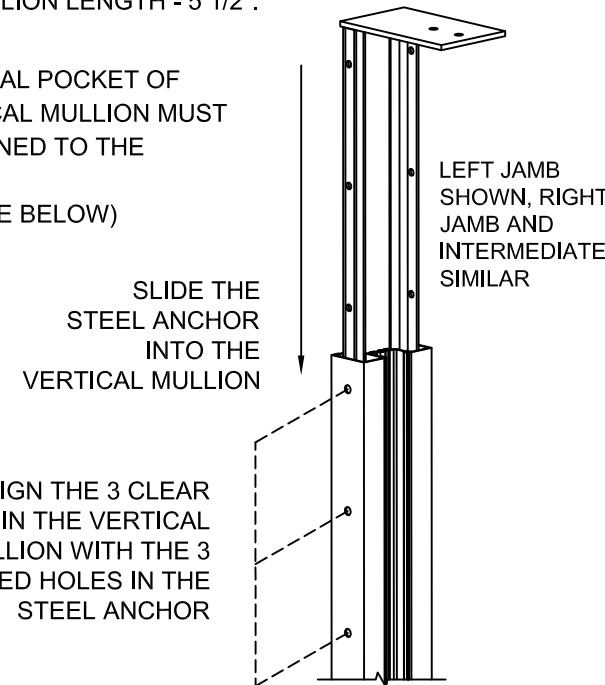
DRILL TWO ACCESS HOLES ON BOTH ENDS OF THE HEAD MEMBERS AS SHOWN BELOW.



STEP 3 - INSTALL STEEL ANCHOR IN VERTICAL MULLIONS AND JAMBS

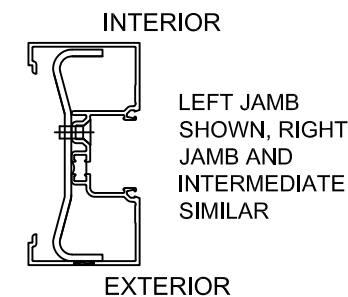
STEEL ANCHOR / REFORCING OVERALL LENGTH IS EQUAL TO THE MULLION LENGTH - 5 1/2".

THE THERMAL POCKET OF THE VERTICAL MULLION MUST BE POSITIONED TO THE EXTERIOR. (SEE FIGURE BELOW)



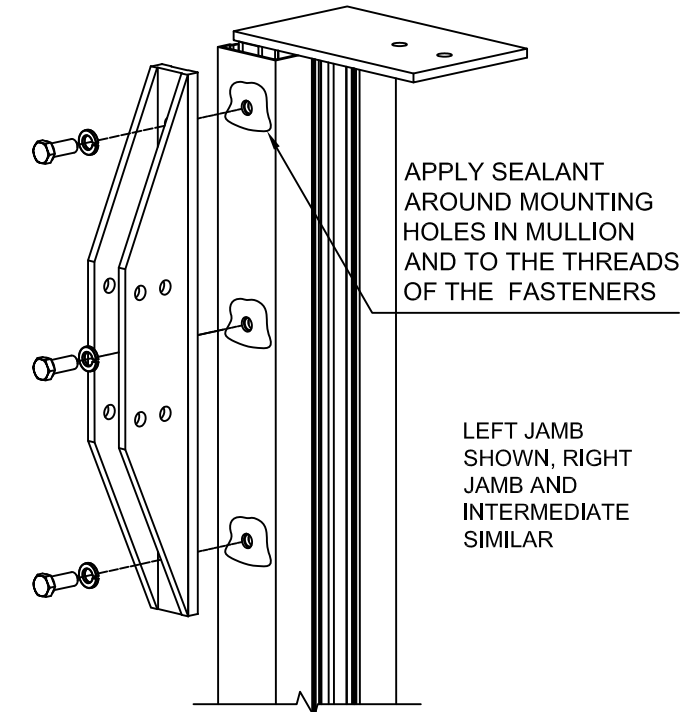
FASTEN STEEL ANCHOR / REINFORCING AT 1/4 POINTS TO THE VERTICAL MULLION.

THE THERMAL POCKET OF THE VERTICAL MULLION MUST BE POSITIONED TO THE EXTERIOR. (451T)



STEP 4 - ATTACH ANCHOR CLIP TO VERTICAL MULLIONS AND JAMBS ONLY AFTER STEPS ON PAGE 18 OF THE TRIFAB VG SCREW SPLINE INSTALLATION INSTRUCTIONS (451VG970) HAVE BEEN COMPLETED.

IF THE CONTINUOUS STEEL ANCHOR IS INSTALLED BEFORE THE HORIZONTAL MEMBERS THE SCREW SPLINE HOLES WILL NOT BE ACCESSIBLE.



ALIGN THE THREE CLEAR HOLES IN THE ANCHOR CLIP (494201) WITH THE THREE CLEAR HOLES IN THE VERTICAL MULLION AND THE THREADED HOLES IN THE STEEL ANCHOR.

APPLY SEALANT AROUND THE CLEAR HOLES ON THE VERTICAL MULLIONS AND TO THE THREADS OF THE FASTENERS BEFORE ATTACHING THE ANCHOR CLIPS.

ATTACH THE ANCHOR CLIPS TO THE VERTICAL MULLIONS WITH THREE 3/8"- 24 x 1" HEX HEAD BOLTS (128963) AND LOCK WASHERS (028779) THREADED INTO THE STEEL ANCHOR.

USING A STANDARD 9/16" SOCKET WRENCH, TIGHTEN THE ATTACHMENT BOLTS. BE SURE THE SPRING TYPE LOCK WASHERS ARE COMPRESSED. THEN TIGHTEN APPROXIMATELY 1/2 TURN MORE.

KAWNEER
Product Engineering & Development

VERSOLEIL OUTRIGGER SUNSHADE
TRIFAB VG 451/451T/451UT SCREW SPLINE
CENTER GLAZED
INSTALLATION INSTRUCTIONS

95494-040 09/05/14
DRAWING: 494991
ORDER:
SHT: 1 OF 4

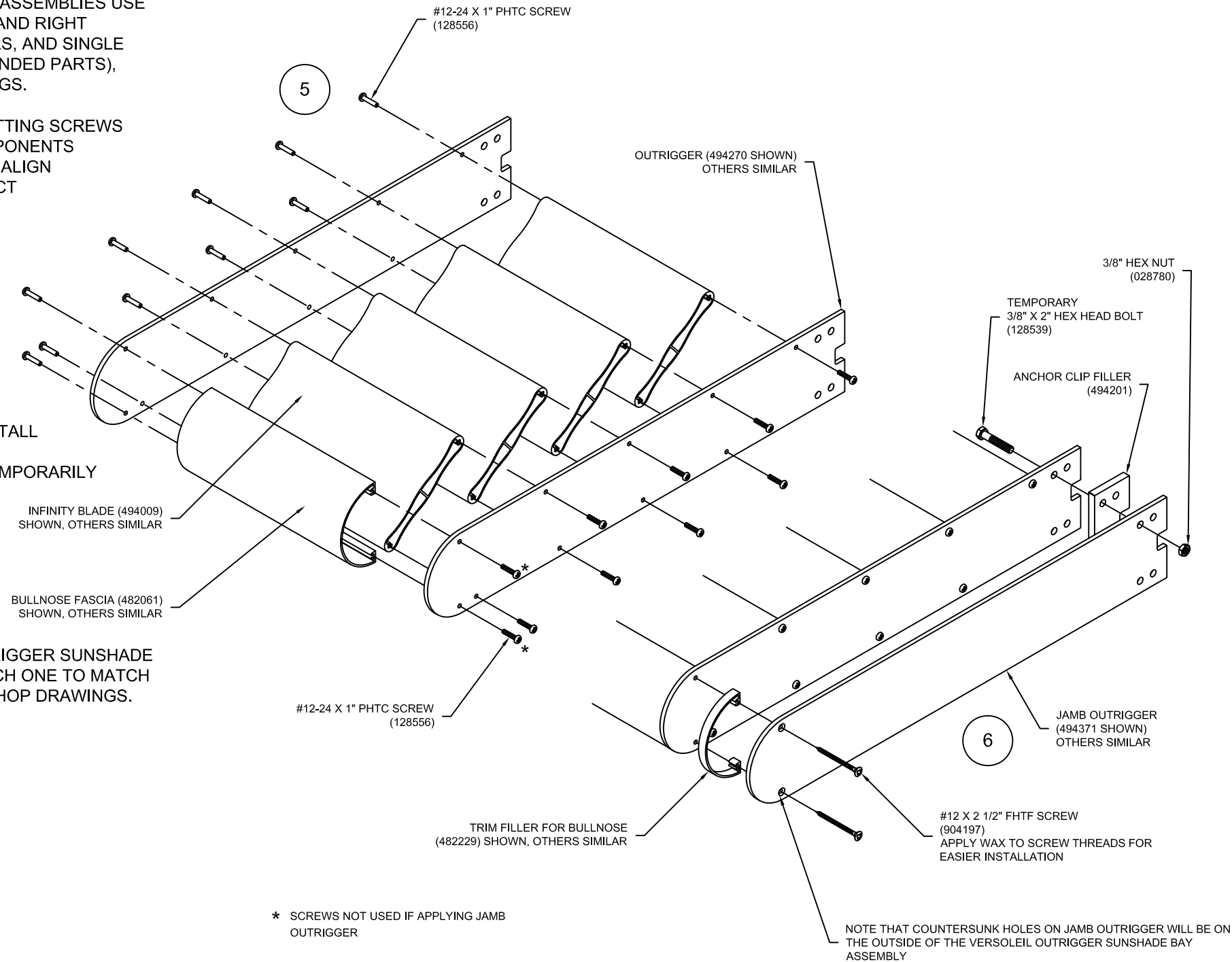
STEP 5 - ASSEMBLING THE SUNSHADES

VERSOLEIL OUTRIGGER SUNSHADE BAY ASSEMBLIES USE SCREW SPLINE JOINERY. LAYOUT LEFT AND RIGHT OUTRIGGERS (JAMBS AT INSIDE CORNERS, AND SINGLE MULLION 90° OUTSIDE CORNERS ARE HANDED PARTS), BLADES, AND FASCIA PER SHOP DRAWINGS. SEE DETAILS 5 AND 6.

USING #12-24 x 1" PAN HEAD THREAD CUTTING SCREWS (128556), JOIN BLADES AND FASCIA COMPONENTS TO ONE OUTRIGGER. DO NOT TIGHTEN. ALIGN THE OPPOSITE OUTRIGGER AND CONNECT PARTS SIMILARLY. TIGHTEN BOTH SIDES.

NOTE: END ASSEMBLY REQUIRES A JAMB OUTRIGGER TO BE ATTACHED BEFORE INSTALLATION. USING #12 x 2 1/2" FLAT HEAD THREAD FORMING SCREWS (904197) AND APPROPRIATE TRIM FILLER, JOIN JAMB OUTRIGGER TO BAY ASSEMBLY. TIGHTEN UNTIL FULLY SEATED AND FLUSH WITH THE SURFACE OF THE JAMB OUTRIGGER. INSTALL ANCHOR CLIP FILLER (494201) USING (1) 3/8" x 2" HEX HEAD BOLT (128539) AND TEMPORARILY ATTACH (1) 3/8" HEX NUT (028780) TO SECURE JAMB OUTRIGGER DURING INSTALLATION. SEE DETAIL 6. CHECK SHOP DRAWINGS TO DETERMINE SPECIFIC JAMB CONDITION BEFORE PROCEEDING.

ASSEMBLE ALL OF THE VERSOLEIL OUTRIGGER SUNSHADE BAY ASSEMBLIES AND MARK OR TAG EACH ONE TO MATCH CORRESPONDING UNIT AS SHOWN ON SHOP DRAWINGS.



* SCREWS NOT USED IF APPLYING JAMB OUTRIGGER

NOTE THAT COUNTERSUNK HOLES ON JAMB OUTRIGGER WILL BE ON THE OUTSIDE OF THE VERSOLEIL OUTRIGGER SUNSHADE BAY ASSEMBLY

 <p>KAWNEER Product Engineering & Development</p> <p>VERSOLEIL OUTRIGGER SUNSHADE TRIFAB VG 451/451T/451UT SCREW SPLINE CENTER GLAZED INSTALLATION INSTRUCTIONS</p>	95494-33 09/21/12
	DRAWING: 494991
	ORDER:
	SHT: 2 OF 4

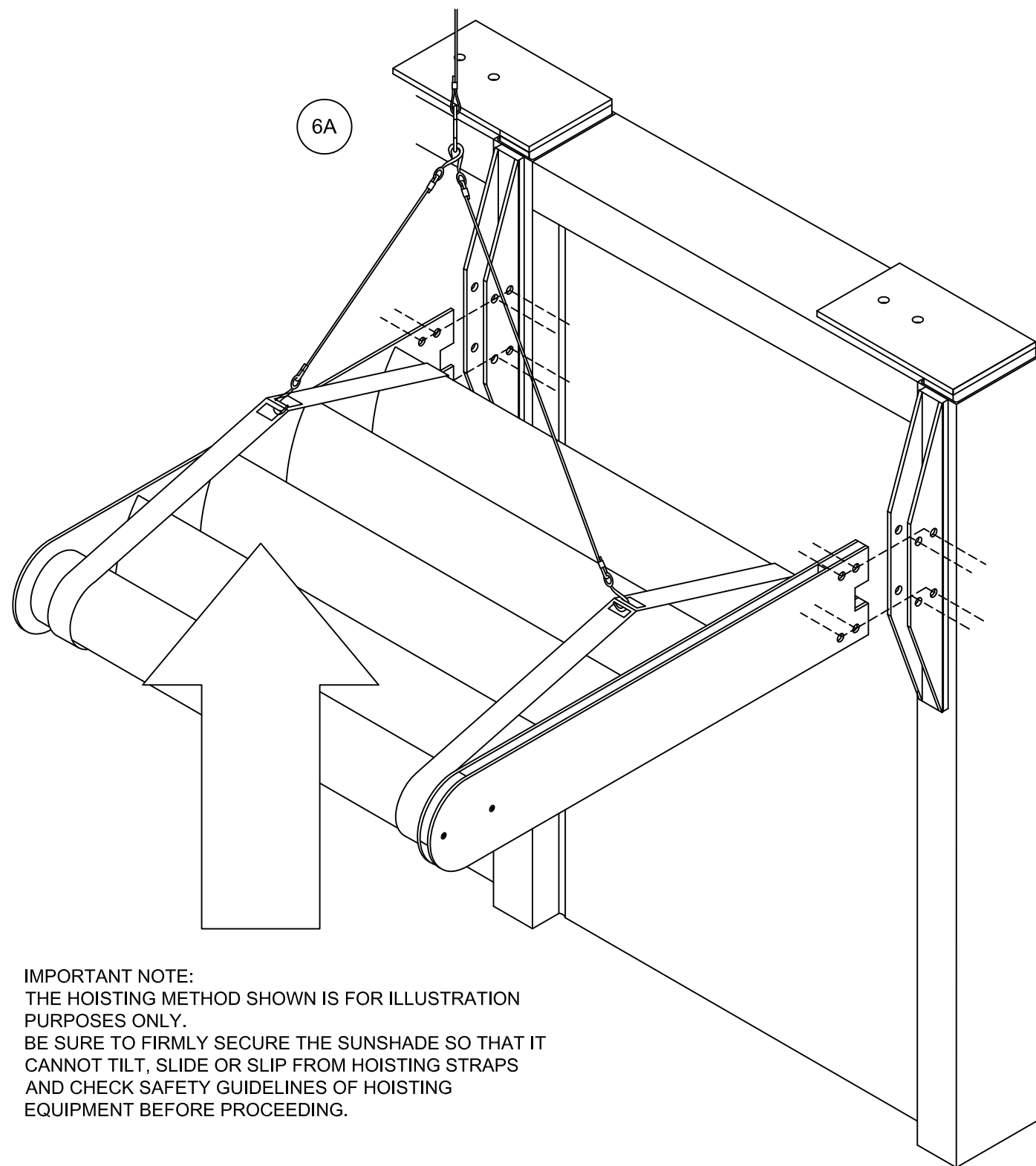
STEP 6 - INSTALLING THE SUNSHADES

ARRANGE THE SUNSHADE BAY ASSEMBLIES ON THE CONSTRUCTION SITE ACCORDING TO THEIR CORRESPONDING POSITION ON THE BUILDING. CHECK AGAINST SHOP DRAWINGS.

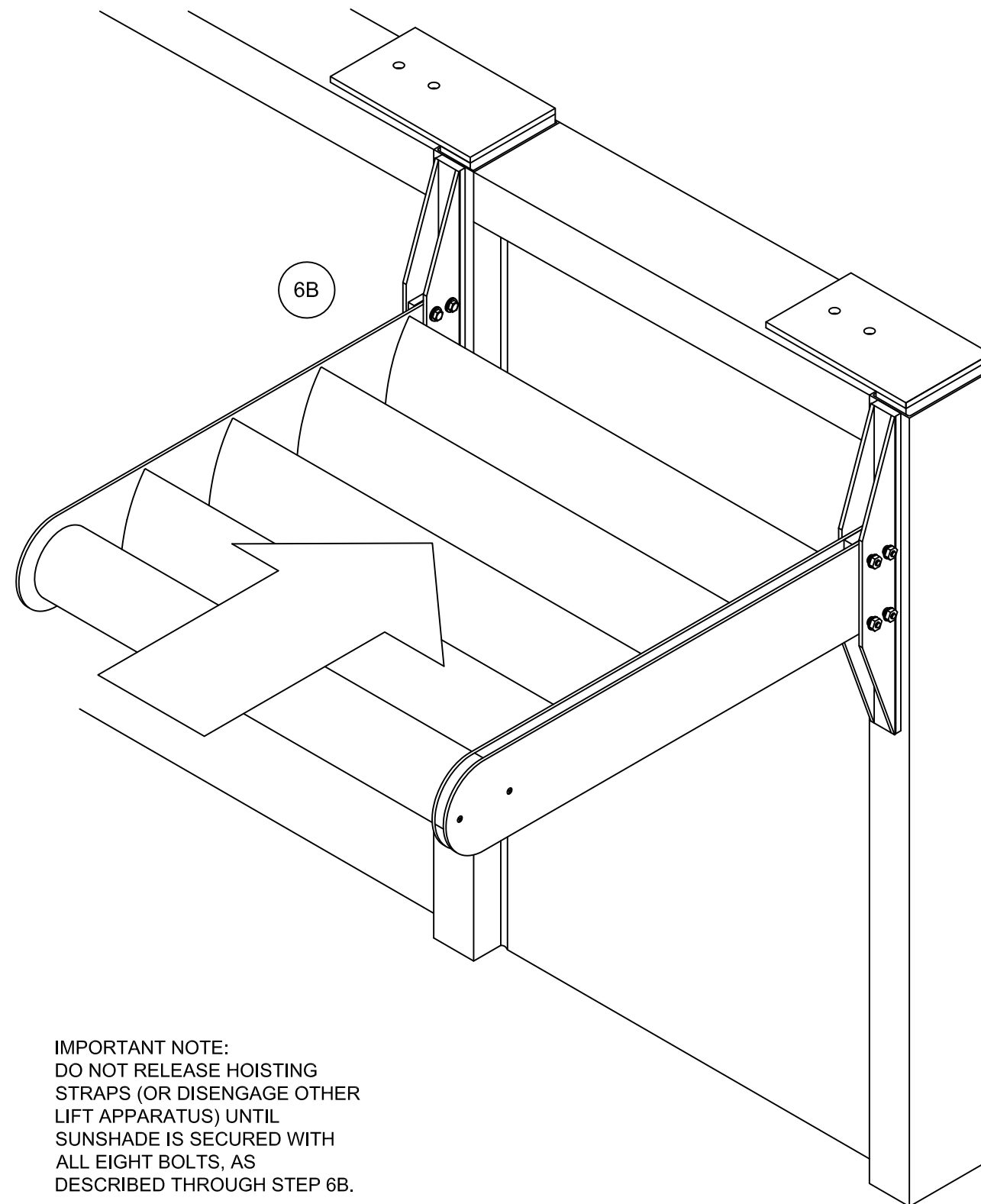
INSTALLATION CAN TAKE PLACE LEFT TO RIGHT OR RIGHT TO LEFT AS WELL AS TOP TO BOTTOM OR BOTTOM TO TOP (IN MULTIPLE STORY INSTALLATIONS). DEPENDING ON HOISTING METHOD, DETERMINE THE ORDER MOST APPROPRIATE FOR YOUR INSTALLATION. THE FOLLOWING INSTRUCTIONS WILL DEMONSTRATE A ONE-STORY INSTALLATION, RIGHT TO LEFT.

A. INSTALL FIRST BAY ASSEMBLY

HOIST AND POSITION THE FIRST SUNSHADE BAY ASSEMBLY UNTIL THE FOUR CLEAR HOLES ON BOTH OUTRIGGERS ALIGN WITH THE CORRESPONDING HOLES IN THE ANCHOR CLIPS. THE OUTRIGGERS SHOULD BE POSITIONED ON THE INSIDE OF THE ANCHOR CLIP. SEE 6A AND 6B. END ASSEMBLY WILL REQUIRE TEMPORARY FASTENER AT ANCHOR CLIP FILLER TO BE REMOVED JUST PRIOR TO ANCHORING. HOLD SPACER IN PLACE TO PREVENT IT FROM FALLING OUT OF POSITION.



IMPORTANT NOTE:
THE HOISTING METHOD SHOWN IS FOR ILLUSTRATION PURPOSES ONLY.
BE SURE TO FIRMLY SECURE THE SUNSHADE SO THAT IT CANNOT TILT, SLIDE OR SLIP FROM HOISTING STRAPS AND CHECK SAFETY GUIDELINES OF HOISTING EQUIPMENT BEFORE PROCEEDING.



IMPORTANT NOTE:
DO NOT RELEASE HOISTING STRAPS (OR DISENGAGE OTHER LIFT APPARATUS) UNTIL SUNSHADE IS SECURED WITH ALL EIGHT BOLTS, AS DESCRIBED THROUGH STEP 6B.

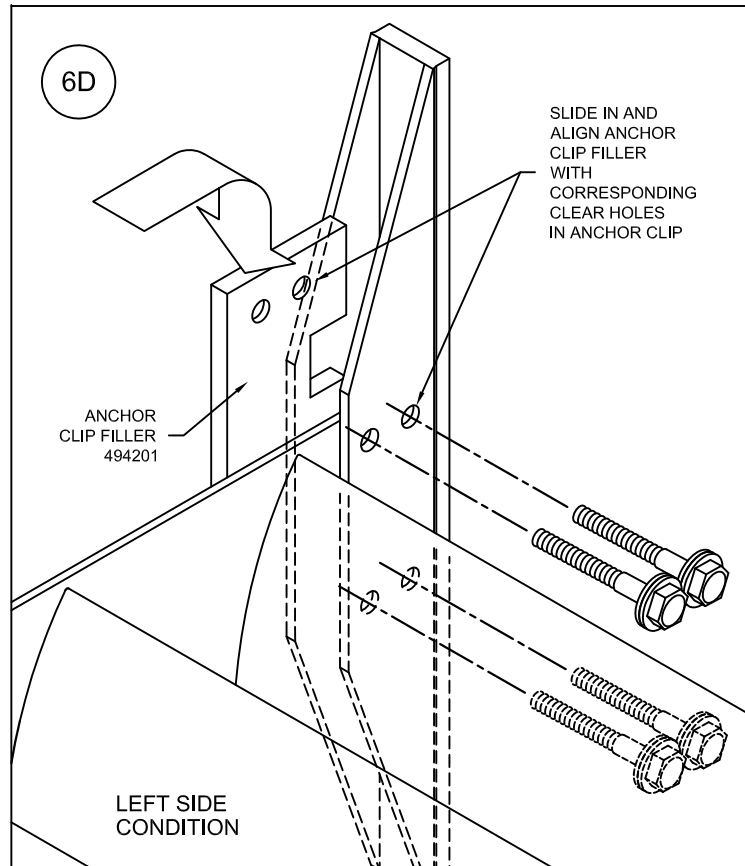
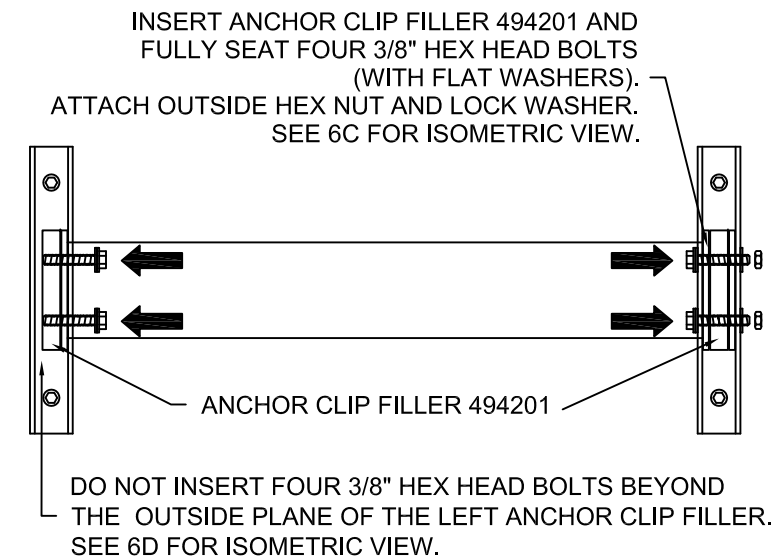
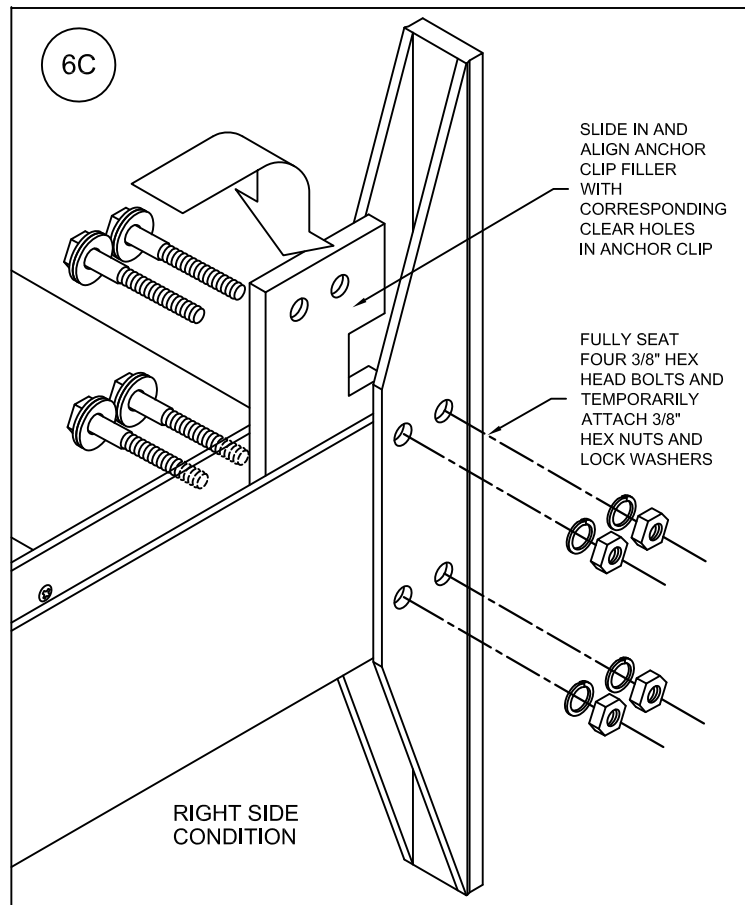
KAWNEER
Product Engineering & Development
VERSOLEIL OUTRIGGER SUNSHADE
TRIFAB VG 451/451T/451UT SCREW SPLINE
CENTER GLAZED
INSTALLATION INSTRUCTIONS

95494-040
09/05/14
DRAWING:
494991
ORDER:
SHT: 3 OF 4

SLIDE (2) 3/8" FLAT WASHERS (028596) PER BOLT ONTO THE 3/8" x 2" HEX HEAD BOLTS (128539). ON THE RIGHT SIDE (END ASSEMBLY), REMOVE THE TEMPORARY FASTENER AT ANCHOR CLIP FILLER (494201) AND ALIGN THE FILLER AND OUTRIGGER WITH THE ANCHOR CLIP. COMPLETELY SEAT THE RIGHT SET OF BOLTS AND FLAT WASHERS UNTIL THE FLAT WASHERS CONTACT THE SURFACE OF THE ANCHOR CLIP. ATTACH (4) LOCK WASHERS (028779) AND (4) 3/8" HEX NUTS (028780) TO THE RIGHT SET OF BOLTS. FINGER TIGHTEN. SEE 6C.

ON THE LEFT SIDE, INSERT (4) 3/8" x 2" HEX HEAD BOLTS WITH FLAT WASHERS INTO ANCHOR CLIP AND THROUGH THE OUTRIGGERS. INSERT ANCHOR CLIP FILLER (494201) INTO THE CENTER OF THE ANCHOR CLIP AND CONTINUE INSERTING THE FOUR 3/8" x 2" HEX HEAD BOLTS UNTIL THE OUTER ENDS OF THE BOLTS ARE FLUSH WITH THE OUTSIDE SURFACE OF THE ANCHOR CLIP FILLER. SEE 6D. DO NOT COMPLETELY SEAT AND DO NOT ATTACH THE SECOND SET OF HEX NUTS.

TIGHTEN NUTS AT RIGHT SIDE. (DO NOT OVER TIGHTEN BOLTS. TIGHTEN TO A "SNUG TIGHT" POSITION WITH PARTS BROUGHT INTO GOOD CONTACT. BE SURE THE SPRING TYPE LOCK WASHERS ARE COMPRESSED. THEN TIGHTEN APPROXIMATELY 1/2 TURN MORE).



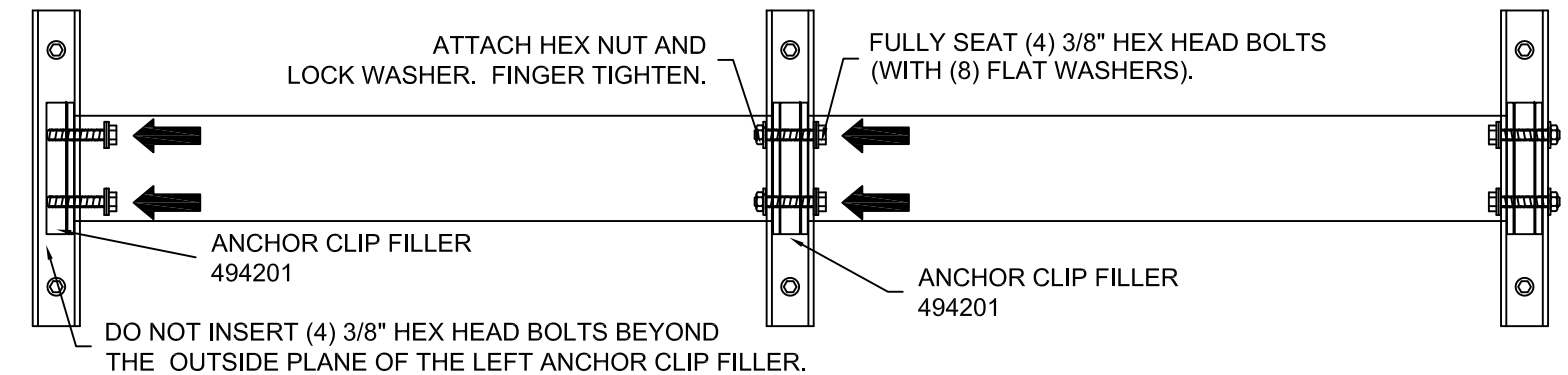
B. INSTALL SECOND BAY ASSEMBLY

NOTE: THE FOLLOWING INSTRUCTIONS APPLY TO THE BALANCE OF ALL INTERMEDIATE BAY ASSEMBLY INSTALLATIONS.

HOIST AND POSITION SUNSHADE BAY ASSEMBLY UNTIL THE (4) CLEAR HOLES OF THE OUTRIGGERS ALIGN WITH THE CORRESPONDING HOLES IN THE ANCHOR CLIPS. THE RIGHT SIDE SHOULD BE RELATIVELY TIGHT SINCE THE ANCHOR CLIP SPACER IS ALREADY IN POSITION. ON THE RIGHT SIDE, COMPLETELY SEAT THE (4) 3/8" HEX HEAD BOLTS AND (8) FLAT WASHERS (THROUGH THE OUTRIGGER AND ANCHOR CLIP). APPLY (4) LOCK WASHERS (028779) AND (4) HEX NUTS (028780) AND FINGER TIGHTEN. SEE BELOW.

ON THE LEFT SIDE, ALIGN AND INSERT AN ANCHOR CLIP FILLER (494201) INTO THE CENTER OF THE ANCHOR CLIP AND PARTIALLY SEAT ANOTHER SET OF (4) 3/8" x 2" HEX HEAD BOLTS AND FLAT WASHERS. RUN BOLTS THROUGH ASSEMBLY UNTIL THE OUTER ENDS OF THE BOLTS ARE FLUSH WITH THE OUTSIDE SURFACE OF THE ANCHOR CLIP FILLER. DO NOT COMPLETELY SEAT AND DO NOT ATTACH THE SECOND SET OF HEX HEAD NUTS. SEE BELOW.

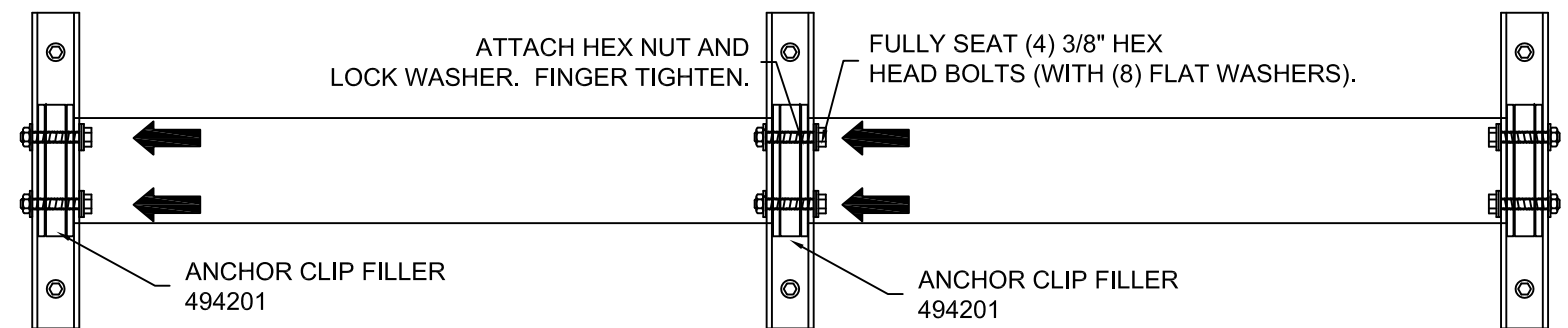
AT RIGHT SIDE, MAKE MINOR ADJUSTMENTS HORIZONTALLY TO ALIGN ALL THE SUNSHADES WHILE TIGHTENING BOLTS AT THE ANCHOR CLIPS. (DO NOT OVER TIGHTEN BOLTS. TIGHTEN TO A "SNUG TIGHT" POSITION WITH PARTS BROUGHT INTO GOOD CONTACT. BE SURE THE SPRING TYPE LOCK WASHERS ARE COMPRESSED. THEN TIGHTEN APPROXIMATELY 1/2 TURN MORE).



C. INSTALL FINAL BAY ASSEMBLY

ON THE FINAL BAY INSTALLATION (END ASSEMBLY), REMOVE THE TEMPORARY FASTENER AT ANCHOR CLIP FILLER (494201) AND ALIGN THE FILLER WITH THE ANCHOR CLIP AND COMPLETELY SEAT THE SET OF (4) BOLTS AND (8) FLAT WASHERS. APPLY (4) LOCK WASHERS (028779) AND (4) HEX NUTS (028780) AND FINGER TIGHTEN. SEE DETAIL BELOW.

MAKE MINOR ADJUSTMENTS HORIZONTALLY TO ALIGN ALL THE SUNSHADES WHILE TIGHTENING BOLTS AT THE ANCHOR CLIPS. (DO NOT OVER TIGHTEN BOLTS. TIGHTEN TO A SNUG POSITION ENSURING THE SPRING TYPE LOCK WASHERS ARE COMPRESSED. THEN TIGHTEN APPROXIMATELY 1/2 TURN MORE).



<p>KAWNEER Product Engineering & Development</p> <p>VERSOLEIL OUTRIGGER SUNSHADE TRIFAB VG 451/451T/451UT SCREW SPLINE CENTER GLAZED INSTALLATION INSTRUCTIONS</p>	95494-33 09/21/12
	DRAWING: 494991
	ORDER:
	SHT: 4 OF 4