

**VERSOLEIL OUTRIGGER SUNSHADE
INSTALLATION INSTRUCTIONS
FOR 1600 SYSTEM 5**

THE FOLLOWING INSTRUCTIONS ARE FOR THE INSTALLATION OF THE KAWNEER VERSOLEIL OUTRIGGER SUNSHADE. USE THESE INSTRUCTIONS IN CONJUNCTION WITH 1600 SYSTEM 5 CURTAIN WALL INSTALLATION INSTRUCTIONS (166970).

FRAME ASSEMBLY

VERTICAL MULLIONS WILL BE LABELED AND MUST BE MATCHED TO SHOP DRAWINGS BEFORE PROCEEDING WITH ANY ASSEMBLY. FAILURE TO PROPERLY ORIENT OR POSITION THE VERTICAL MULLIONS WILL PROHIBIT INSTALLATION OF THE SUNSHADE.

EXTERIOR COVERS

WHEN USING 1" COVERS, THE SUNSHADE ANCHOR CLIP MUST BE INSTALLED BEFORE THE COVERS. THE SUNSHADE IS TO BE INSTALLED AFTER THE COVERS.

WHEN USING OPTIONAL 3-1/8" COVERS, THE SUNSHADE ANCHOR CLIP AND THE SUNSHADE MUST BE INSTALLED BEFORE INSTALLING THE COVERS.

SUNSHADE ATTACHMENT, TYPICAL INTERMEDIATES

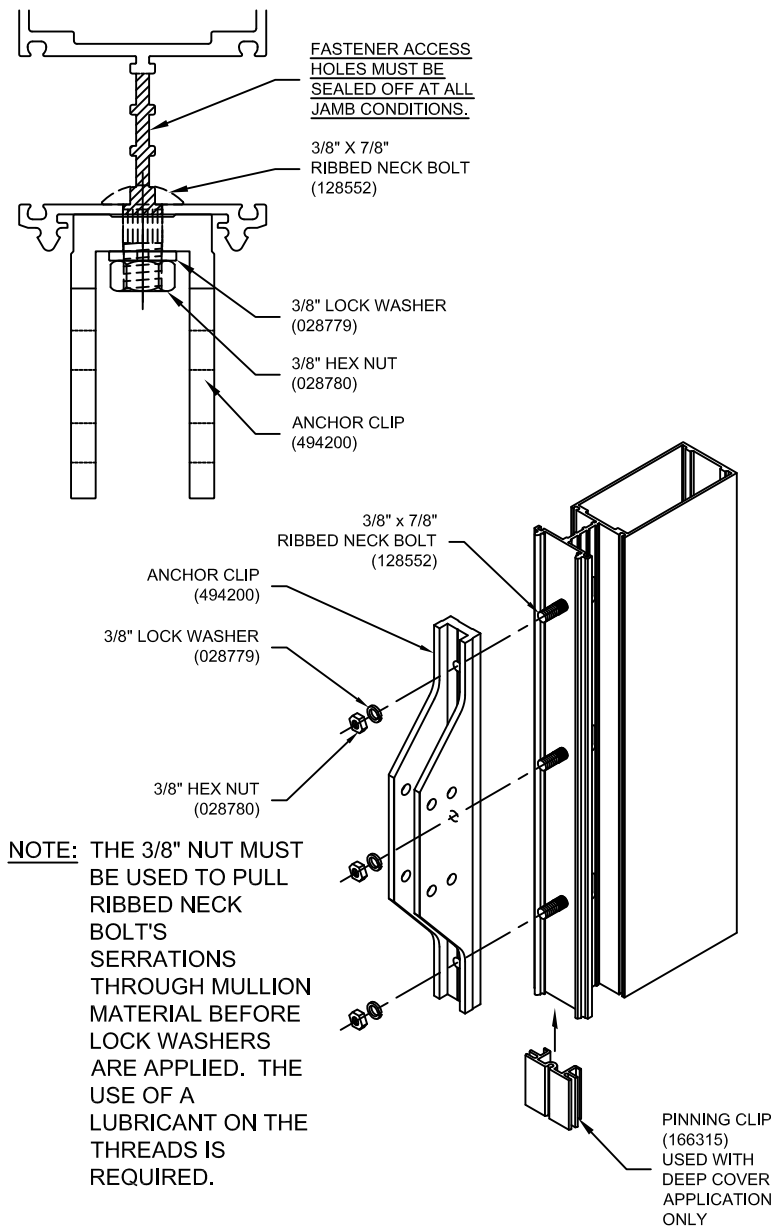
ATTACH ANCHOR CLIPS

ALIGN THE THREE CLEAR HOLES IN THE ANCHOR CLIP (494200) WITH THE THREE HOLES IN THE MULLION AND ATTACH WITH THREE 3/8-16 x 7/8" ROUND HEAD RIBBED NECK CARRIAGE BOLTS (128552), LOCK WASHERS (028779) AND 3/8" NUTS (028780) AS SHOWN.

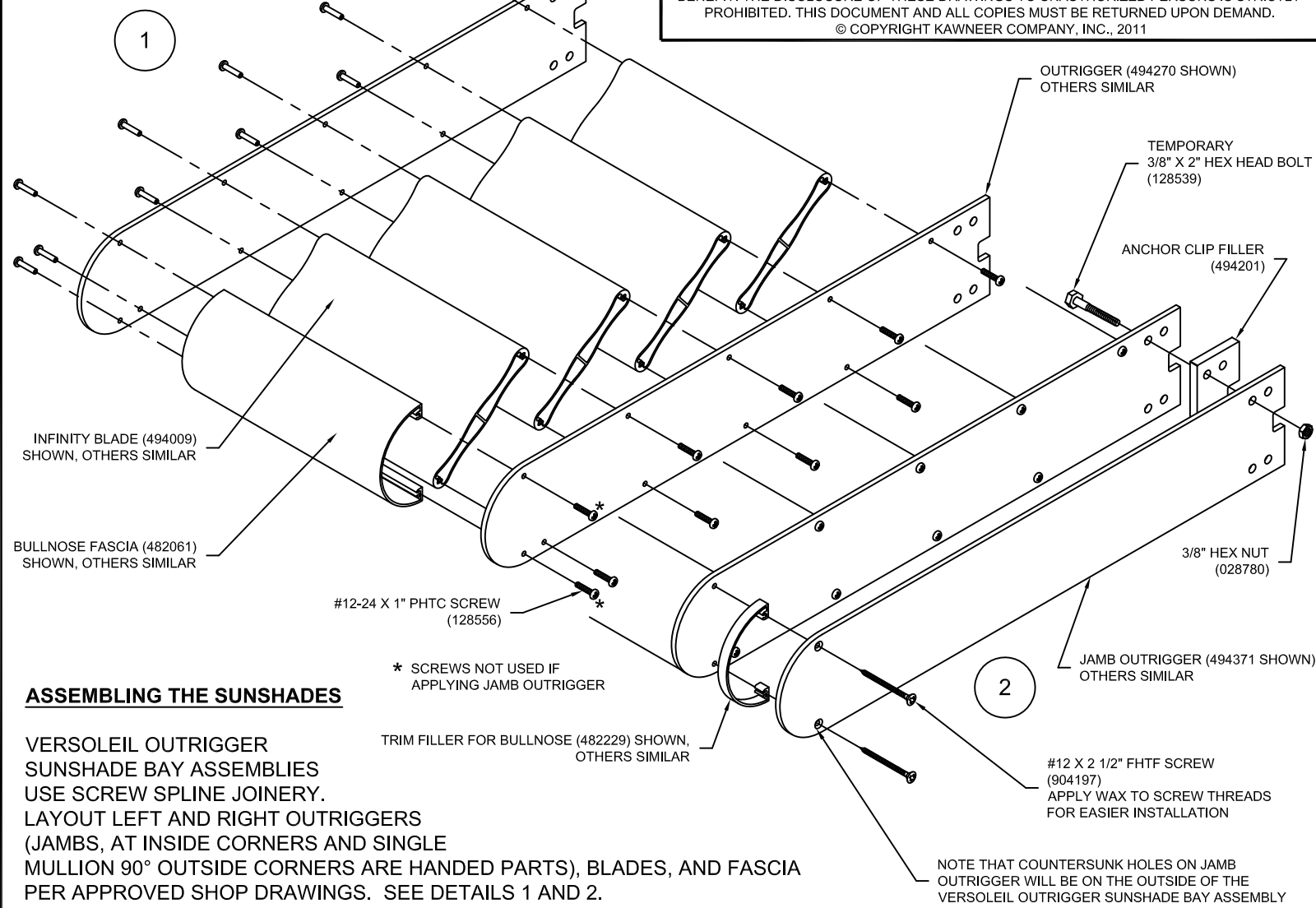
TIGHTEN FASTENERS TO A "SNUG" CONDITION AND COMPLETELY COMPRESS THE SPRING TYPE LOCK WASHERS. THEN TIGHTEN APPROXIMATELY 1/2 TURN MORE.

INSTALL DEEP COVER PINNING CLIP (166315) APPROXIMATELY 1/2" BELOW EACH ANCHOR CLIP. CRIMP INTO PLACE AT CLIP BOTTOM.

ATTACH ALL ANCHOR CLIPS AND PINNING CLIPS BEFORE INSTALLING SUNSHADES.



NOTE: THE 3/8" NUT MUST BE USED TO PULL RIBBED NECK BOLT'S SERRATIONS THROUGH MULLION MATERIAL BEFORE LOCK WASHERS ARE APPLIED. THE USE OF A LUBRICANT ON THE THREADS IS REQUIRED.



ASSEMBLING THE SUNSHADES

VERSOLEIL OUTRIGGER SUNSHADE BAY ASSEMBLIES USE SCREW SPLINE JOINERY. LAYOUT LEFT AND RIGHT OUTRIGGERS (JAMBS, AT INSIDE CORNERS AND SINGLE MULLION 90° OUTSIDE CORNERS ARE HANDED PARTS), BLADES, AND FASCIA PER APPROVED SHOP DRAWINGS. SEE DETAILS 1 AND 2.

USING #12-24 x 1" PAN HEAD THREAD CUTTING SCREWS (128556), JOIN BLADES AND FASCIA COMPONENTS TO ONE OUTRIGGER. DO NOT TIGHTEN. ALIGN THE OPPOSITE OUTRIGGER AND CONNECT PARTS SIMILARLY. TIGHTEN BOTH SIDES.

NOTE: END ASSEMBLY REQUIRES A JAMB OUTRIGGER TO BE ATTACHED BEFORE INSTALLATION. USING #12 x 2 1/2" FLAT HEAD THREAD FORMING SCREWS (904197) AND APPROPRIATE TRIM FILLER, JOIN JAMB OUTRIGGER TO BAY ASSEMBLY. TIGHTEN UNTIL FULLY SEATED AND FLUSH WITH THE SURFACE OF THE JAMB OUTRIGGER. INSTALL ANCHOR CLIP FILLER (494201) USING (1) 3/8" x 2" HEX HEAD BOLT (128539) AND TEMPORARILY ATTACH (1) 3/8" HEX NUT (028780) TO SECURE JAMB OUTRIGGER DURING INSTALLATION. SEE DETAIL 2. CHECK SHOP DRAWINGS TO DETERMINE SPECIFIC JAMB CONDITION BEFORE PROCEEDING.

ASSEMBLE ALL OF THE VERSOLEIL OUTRIGGER SUNSHADE BAY ASSEMBLIES AND MARK OR TAG EACH ONE TO MATCH CORRESPONDING UNIT AS SHOWN ON SHOP DRAWINGS.

THESE DRAWINGS ARE THE SOLE AND EXCLUSIVE PROPERTY OF KAWNEER AND CONTAIN SENSITIVE, PRIVILEGED OR CONFIDENTIAL INFORMATION WHICH MAY BE USED ONLY FOR ITS BENEFIT. THE DISCLOSURE OF THESE DRAWINGS TO UNAUTHORIZED PERSONS IS STRICTLY PROHIBITED. THIS DOCUMENT AND ALL COPIES MUST BE RETURNED UPON DEMAND.
© COPYRIGHT KAWNEER COMPANY, INC., 2011



**VERSOLEIL OUTRIGGER
SUNSHADE
1600 SYSTEM 5
INSTALLATION INSTRUCTIONS**

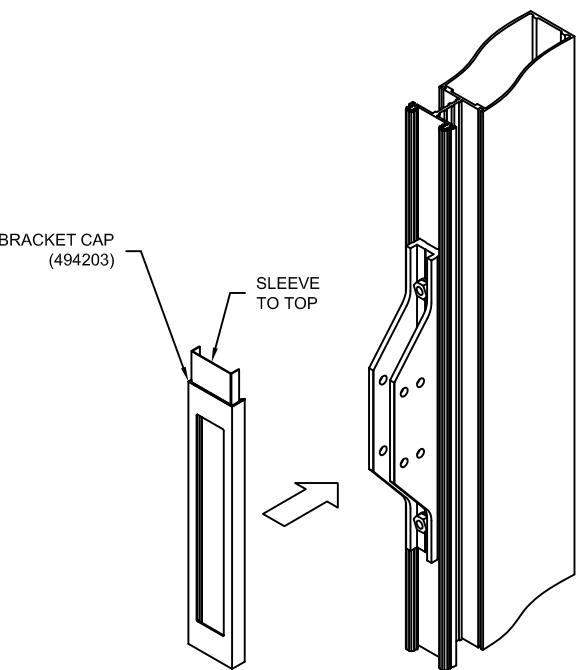
CONFIDENTIAL AND PROPRIETARY INFORMATION
KAWNEER COMPANY INC.

THESE DRAWINGS ARE THE SOLE AND EXCLUSIVE PROPERTY OF KAWNEER AND CONTAIN SENSITIVE, PRIVILEGED OR CONFIDENTIAL INFORMATION WHICH MAY BE USED ONLY FOR ITS BENEFIT. THE DISCLOSURE OF THESE DRAWINGS TO UNAUTHORIZED PERSONS IS STRICTLY PROHIBITED. THIS DOCUMENT AND ALL COPIES MUST BE RETURNED UPON DEMAND.
© COPYRIGHT KAWNEER COMPANY, INC., 2011

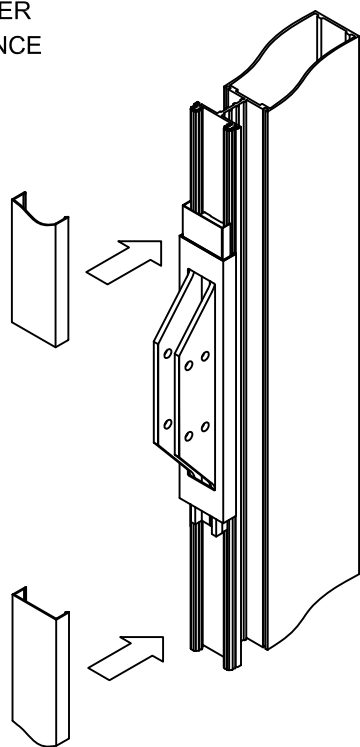
INSTALLING 1" COVERS AT INTERMEDIATE MULLION LOCATIONS

NOTE: OPTIONAL 3 1/8" COVERS WILL BE INSTALLED AFTER THE VERSOLEIL OUTRIGGER SUNSHADE BAY ASSEMBLIES. REFER TO PAGE 04 FOR INSTALLATION DETAILS.

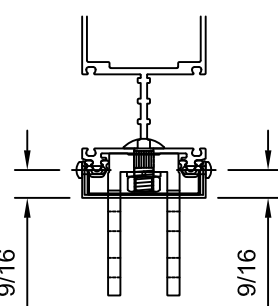
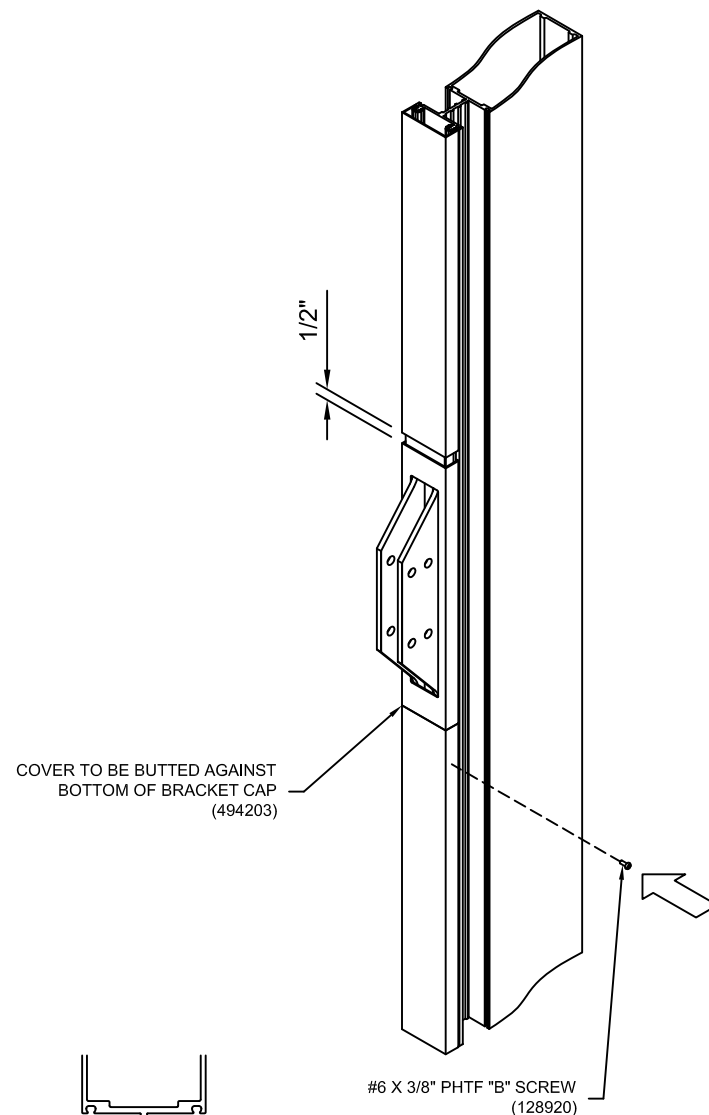
BRACKET CAP (494203) SHOULD BE SNAPPED INTO PLACE AT EACH ANCHOR CLIP LOCATION. CENTER ON ANCHOR CLIP.



1" COVERS SHOULD BE INSTALLED BUTTED TO THE BOTTOM OF THE BRACKET CAP (494203) AND 1/2" ABOVE THE TOP OF THE BRACKET CAP, OVER THE SLEEVE. REFERENCE STANDARD 1600 SYSTEM 5 INSTALLATION INSTRUCTIONS.

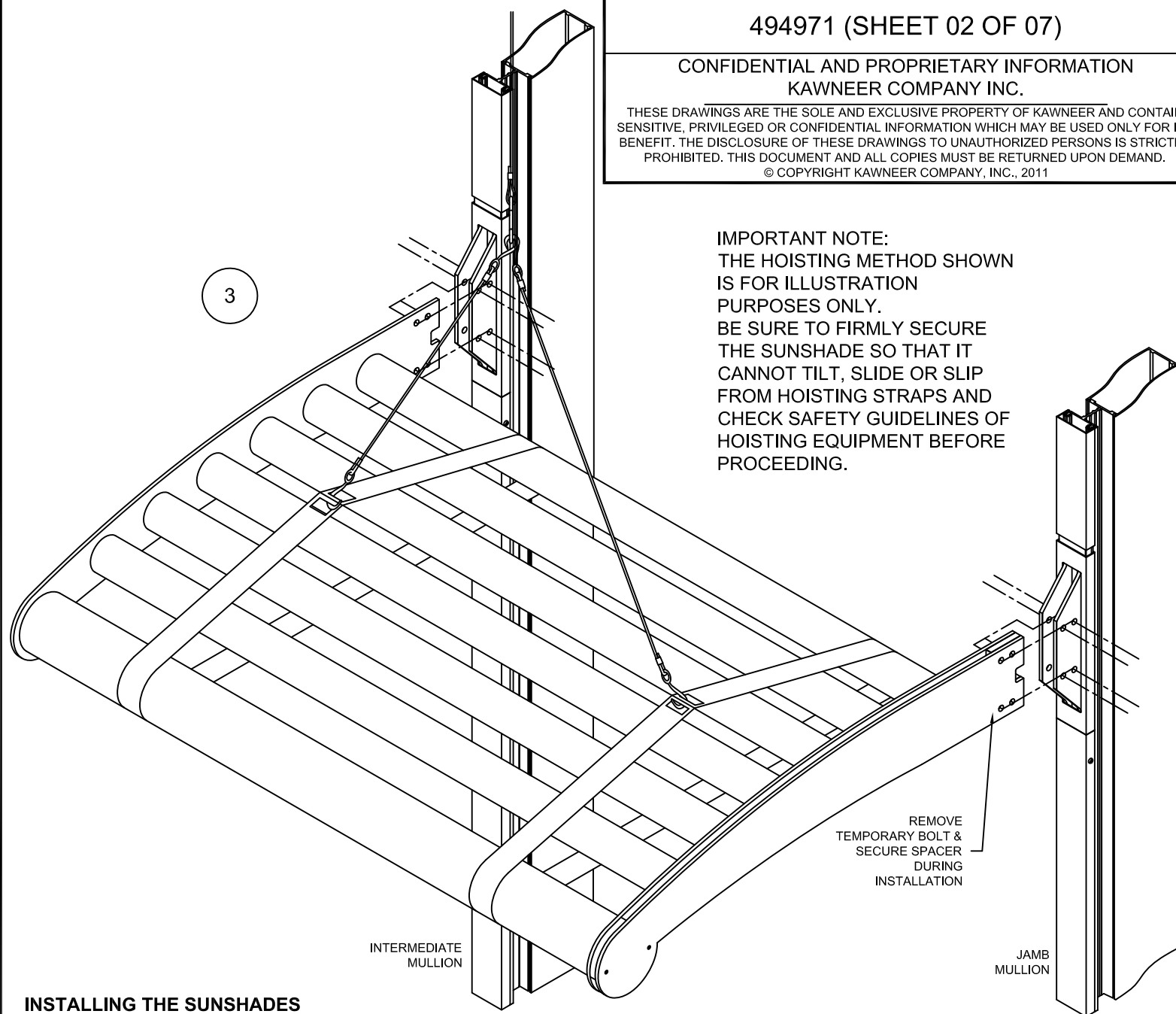


PIN VERTICAL COVER 2" BELOW BUTT JOINT WITH BRACKET CAP (494203). DRILL A Ø0.106 (#36 DRILL) HOLE THROUGH COVER AND PRESSURE PLATE LEG AND FASTEN WITH A #6 X 3/8" PHTF "B" FASTENER (128920).



WHEN VERSOLEIL OUTRIGGER SUNSHADES ARE INSTALLED ON THE FOLLOWING CORNER APPLICATIONS, COVER INSTALLATION IS THE SAME AS FOR INTERMEDIATE MULLION LOCATIONS:

- DOUBLE MULLION 90° OUTSIDE CORNER
- DOUBLE MULLION 90° INSIDE CORNER
- DOUBLE MULLION 135° OUTSIDE CORNER
- DOUBLE MULLION 135° INSIDE CORNER



IMPORTANT NOTE:
THE HOISTING METHOD SHOWN IS FOR ILLUSTRATION PURPOSES ONLY. BE SURE TO FIRMLY SECURE THE SUNSHADE SO THAT IT CANNOT TILT, SLIDE OR SLIP FROM HOISTING STRAPS AND CHECK SAFETY GUIDELINES OF HOISTING EQUIPMENT BEFORE PROCEEDING.

INSTALLING THE SUNSHADES

ARRANGE THE SUNSHADE BAY ASSEMBLIES ON THE CONSTRUCTION SITE ACCORDING TO THEIR CORRESPONDING POSITION ON THE BUILDING. CHECK AGAINST SHOP DRAWINGS.

INSTALLATION CAN TAKE PLACE LEFT TO RIGHT OR RIGHT TO LEFT AS WELL AS TOP TO BOTTOM OR BOTTOM TO TOP (IN MULTIPLE STORY INSTALLATIONS). DEPENDING ON HOISTING METHOD, DETERMINE THE ORDER MOST APPROPRIATE FOR YOUR INSTALLATION. THE FOLLOWING INSTRUCTIONS WILL DEMONSTRATE A ONE-STORY INSTALLATION, RIGHT TO LEFT.

A. INSTALL FIRST BAY ASSEMBLY

HOIST AND POSITION THE FIRST SUNSHADE BAY ASSEMBLY UNTIL THE FOUR CLEAR HOLES ON BOTH OUTRIGGERS ALIGN WITH THE CORRESPONDING HOLES IN THE ANCHOR CLIPS. THE OUTRIGGERS SHOULD BE POSITIONED ON THE INSIDE OF THE ANCHOR CLIP. SEE DETAILS 3 AND 4. END ASSEMBLY WILL REQUIRE TEMPORARY FASTENER AT ANCHOR CLIP FILLER TO BE REMOVED JUST PRIOR TO ANCHORING. HOLD SPACER IN PLACE TO PREVENT IT FROM FALLING OUT OF POSITION.

NOTE:

VERSOLEIL OUTRIGGER SUNSHADE BAYS TO BE INSTALLED AFTER 1" COVERS.

VERSOLEIL OUTRIGGER SUNSHADE BAYS TO BE INSTALLED BEFORE OPTIONAL 3 1/8" COVERS. SEE PAGE 04 FOR OPTIONAL 3 1/8" COVER INSTALLATION.

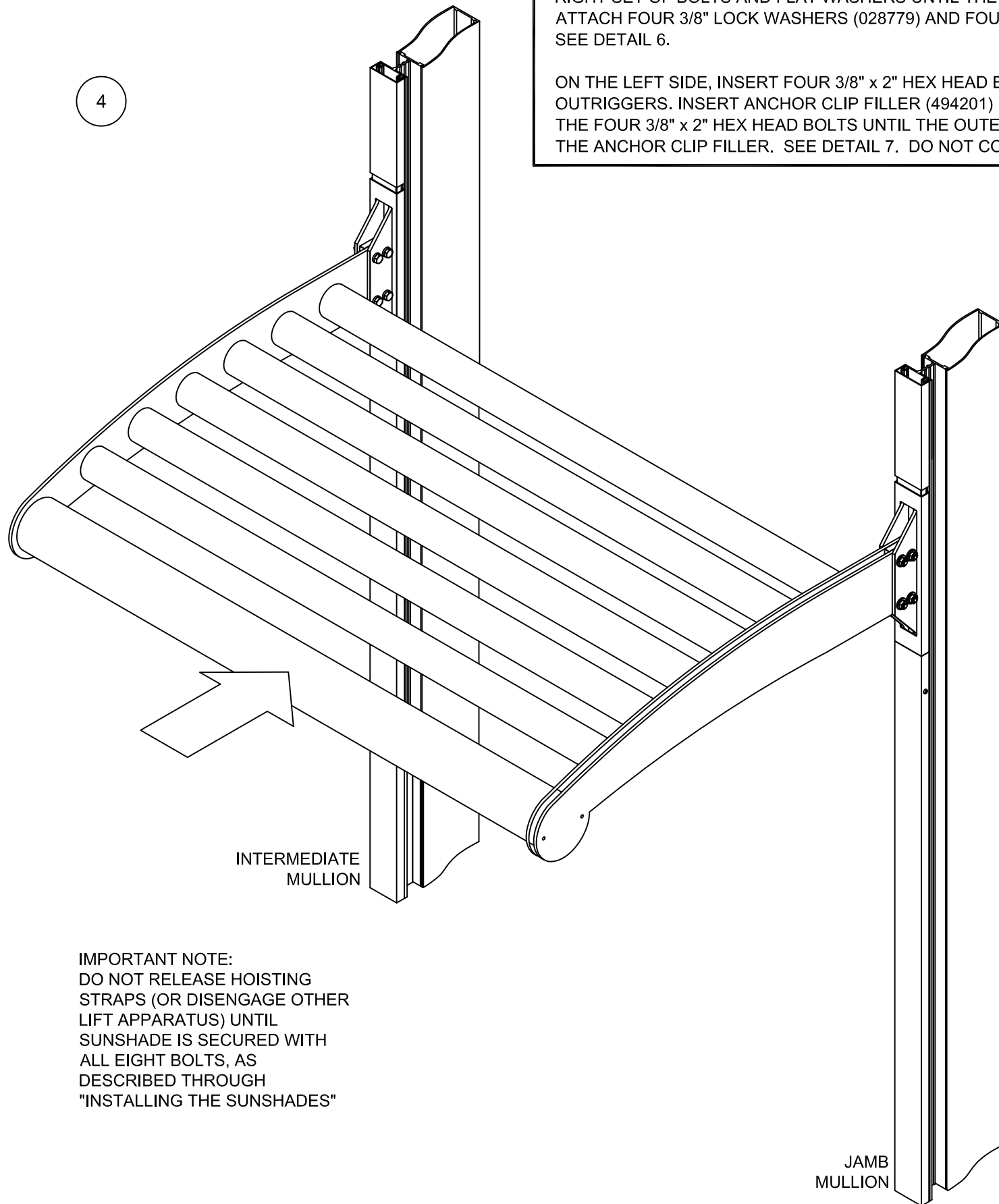


VERSOLEIL OUTRIGGER
SUNSHADE
1600 SYSTEM 5
INSTALLATION INSTRUCTIONS

95494-24
09/05/11

494971 (SHEET 02 OF 07)

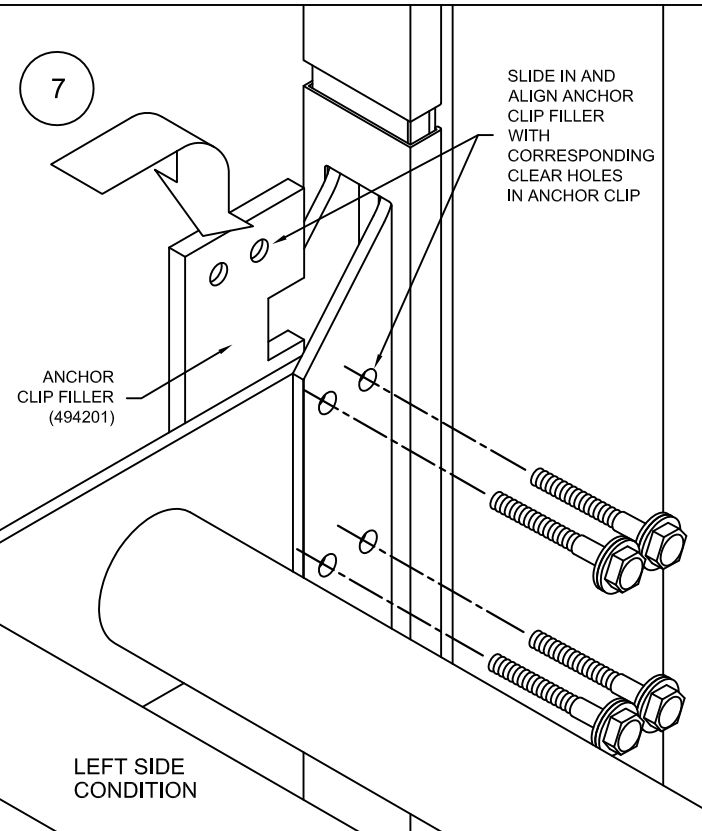
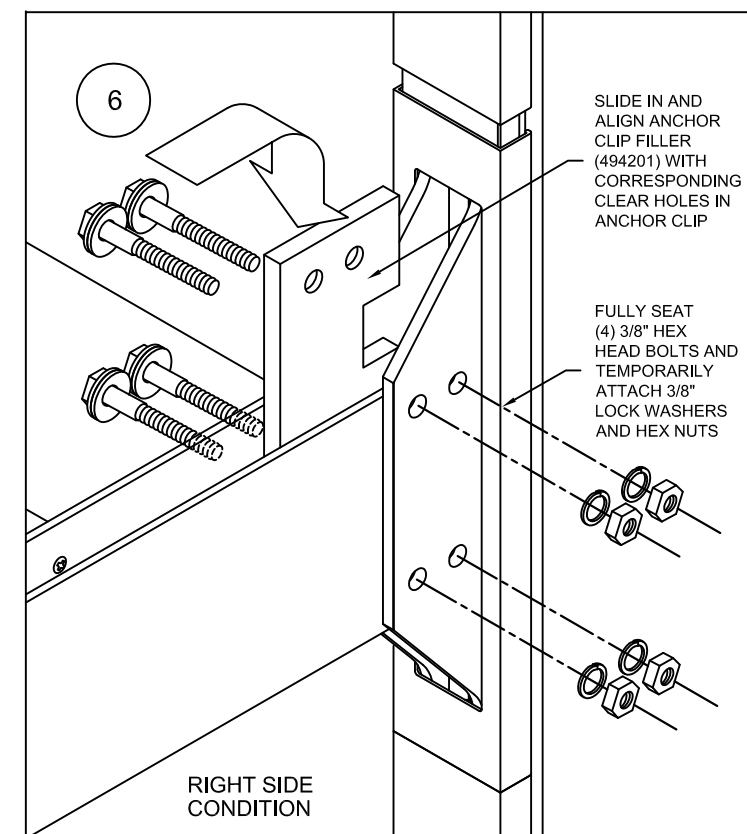
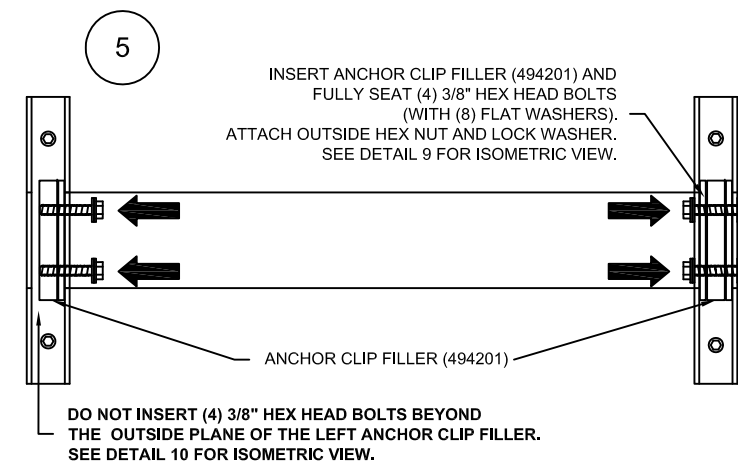
4



SLIDE (2) 3/8" FLAT WASHERS (028596) PER BOLT ONTO THE 3/8" x 2" HEX HEAD BOLTS (128539) (NOTE: (2) WASHERS ARE REQUIRED TO CENTER BOLT ON MULLION). ON THE RIGHT SIDE (END ASSEMBLY), REMOVE THE TEMPORARY FASTENER AT ANCHOR CLIP FILLER (494201) AND ALIGN THE FILLER AND OUTRIGGER WITH THE ANCHOR CLIP. COMPLETELY SEAT THE RIGHT SET OF BOLTS AND FLAT WASHERS UNTIL THE FLAT WASHERS CONTACT THE SURFACE OF THE ANCHOR CLIP. ATTACH FOUR 3/8" LOCK WASHERS (028779) AND FOUR HEX NUTS (028780) TO THE RIGHT SET OF BOLTS. FINGER TIGHTEN. SEE DETAIL 6.

ON THE LEFT SIDE, INSERT FOUR 3/8" x 2" HEX HEAD BOLTS WITH WASHERS INTO ANCHOR CLIP AND THROUGH THE OUTRIGGERS. INSERT ANCHOR CLIP FILLER (494201) INTO THE CENTER OF THE ANCHOR CLIP AND CONTINUE INSERTING THE FOUR 3/8" x 2" HEX HEAD BOLTS UNTIL THE OUTER ENDS OF THE BOLTS ARE FLUSH WITH THE OUTSIDE SURFACE OF THE ANCHOR CLIP FILLER. SEE DETAIL 7. DO NOT COMPLETELY SEAT AND DO NOT ATTACH THE SECOND SET OF HEX NUTS.

TIGHTEN NUTS AT RIGHT SIDE. (DO NOT OVER TIGHTEN BOLTS. TIGHTEN TO A SNUG POSITION ENSURING THE SPRING TYPE LOCK WASHERS ARE COMPRESSED. THEN TIGHTEN APPROXIMATELY 1/2 TURN MORE).



IMPORTANT NOTE:
DO NOT RELEASE HOISTING STRAPS (OR DISENGAGE OTHER LIFT APPARATUS) UNTIL SUNSHADE IS SECURED WITH ALL EIGHT BOLTS, AS DESCRIBED THROUGH "INSTALLING THE SUNSHADES"



VERSOLEIL OUTRIGGER
SUNSHADE
1600 SYSTEM 5
INSTALLATION INSTRUCTIONS

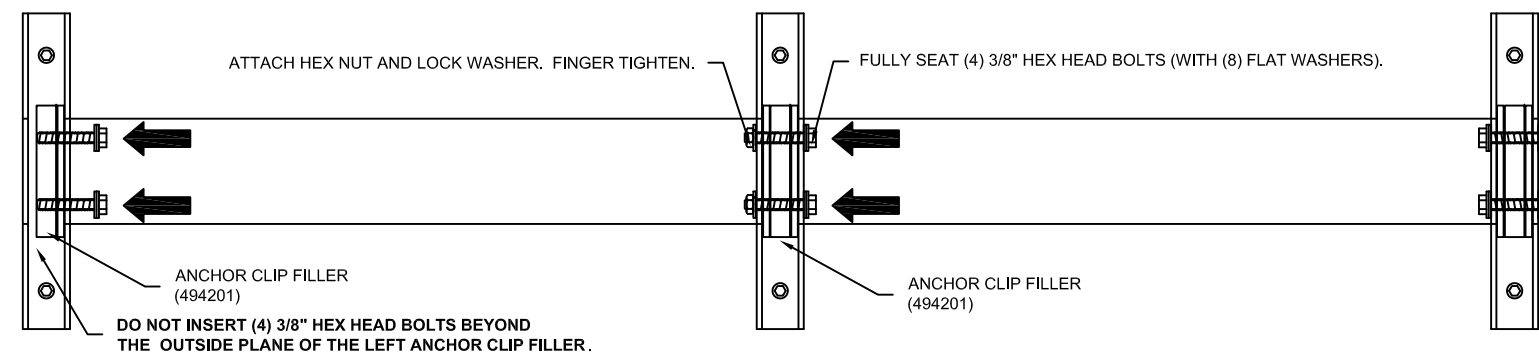
B. INSTALL SECOND BAY ASSEMBLY

NOTE: THE FOLLOWING INSTRUCTIONS APPLY TO THE BALANCE OF ALL INTERMEDIATE BAY ASSEMBLY INSTALLATIONS.

HOIST AND POSITION SUNSHADE BAY ASSEMBLY UNTIL THE (4) CLEAR HOLES OF THE OUTRIGGERS ALIGN WITH THE CORRESPONDING HOLES IN THE ANCHOR CLIPS. THE RIGHT SIDE SHOULD BE RELATIVELY TIGHT SINCE THE ANCHOR CLIP SPACER IS ALREADY IN POSITION. ON THE RIGHT SIDE, COMPLETELY SEAT THE (4) 3/8" HEX HEAD BOLTS AND (8) FLAT WASHERS (THROUGH THE OUTRIGGER AND ANCHOR CLIP). APPLY (4) LOCK WASHERS (028779) AND (4) HEX NUTS (028780) AND FINGER TIGHTEN. SEE BELOW.

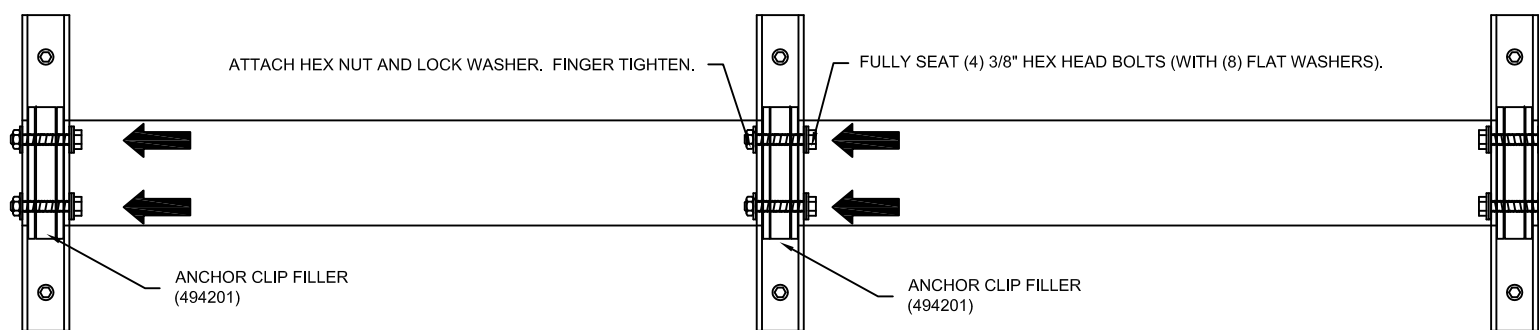
ON THE LEFT SIDE, ALIGN AND INSERT AN ANCHOR CLIP FILLER (494201) INTO THE CENTER OF THE ANCHOR CLIP AND PARTIALLY SEAT ANOTHER SET OF (4) 3/8" x 2" HEX HEAD BOLTS AND (8) FLAT WASHERS. RUN BOLTS THROUGH ASSEMBLY UNTIL THE OUTER ENDS OF THE BOLTS ARE FLUSH WITH THE OUTSIDE SURFACE OF THE ANCHOR CLIP FILLER. DO NOT COMPLETELY SEAT AND DO NOT ATTACH THE SECOND SET OF HEX HEAD NUTS. SEE DETAIL BELOW.

AT RIGHT SIDE, MAKE MINOR ADJUSTMENTS HORIZONTALLY TO ALIGN ALL THE SUNSHADES WHILE TIGHTENING BOLTS AT THE ANCHOR CLIPS. (DO NOT OVER TIGHTEN BOLTS. TIGHTEN TO A SNUG POSITION ENSURING THE SPRING TYPE LOCK WASHERS ARE COMPRESSED. THEN TIGHTEN APPROXIMATELY 1/2 TURN MORE).



C. INSTALL FINAL BAY ASSEMBLY

ON THE FINAL BAY INSTALLATION (END ASSEMBLY), REMOVE THE TEMPORARY FASTENER AT ANCHOR CLIP FILLER (494201) AND ALIGN THE FILLER WITH THE ANCHOR CLIP AND COMPLETELY SEAT THE SET OF BOLTS AND FLAT WASHERS. APPLY (4) LOCK WASHERS (028779) AND (4) HEX NUTS (028780) AND FINGER TIGHTEN. SEE DETAIL BELOW.



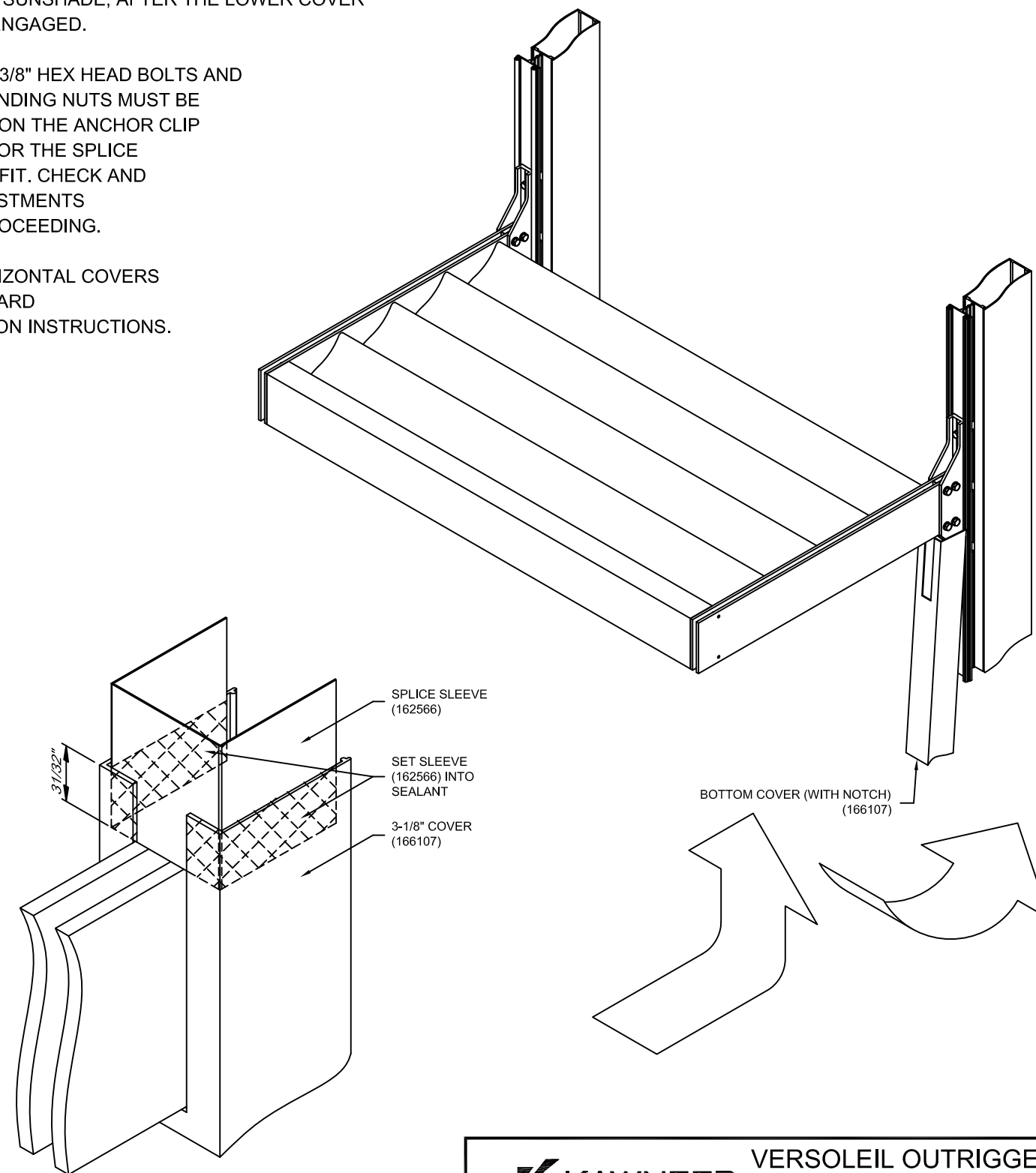
MAKE MINOR ADJUSTMENTS HORIZONTALLY TO ALIGN ALL THE SUNSHADES WHILE TIGHTENING BOLTS AT THE ANCHOR CLIPS. (DO NOT OVER TIGHTEN BOLTS. TIGHTEN TO A SNUG POSITION ENSURING THE SPRING TYPE LOCK WASHERS ARE COMPRESSED. THEN TIGHTEN APPROXIMATELY 1/2 TURN MORE).

INSTALLING OPTIONAL 3 1/8" COVERS AT INTERMEDIATE MULLION LOCATIONS

INSTALL THE COVERS FROM THE BOTTOM OF THE ELEVATION UP. ALIGN THE LOWER COVER ON THE MULLION WITH THE 1.013" X 6" NOTCH AT THE TOP AND ENGAGE COVER. THE SPLICE SLEEVE (162566) MUST BE SET INTO SEALANT AT THE TOP OF THE LOWER COVER ABOVE THE SUNSHADE, AFTER THE LOWER COVER HAS BEEN ENGAGED.

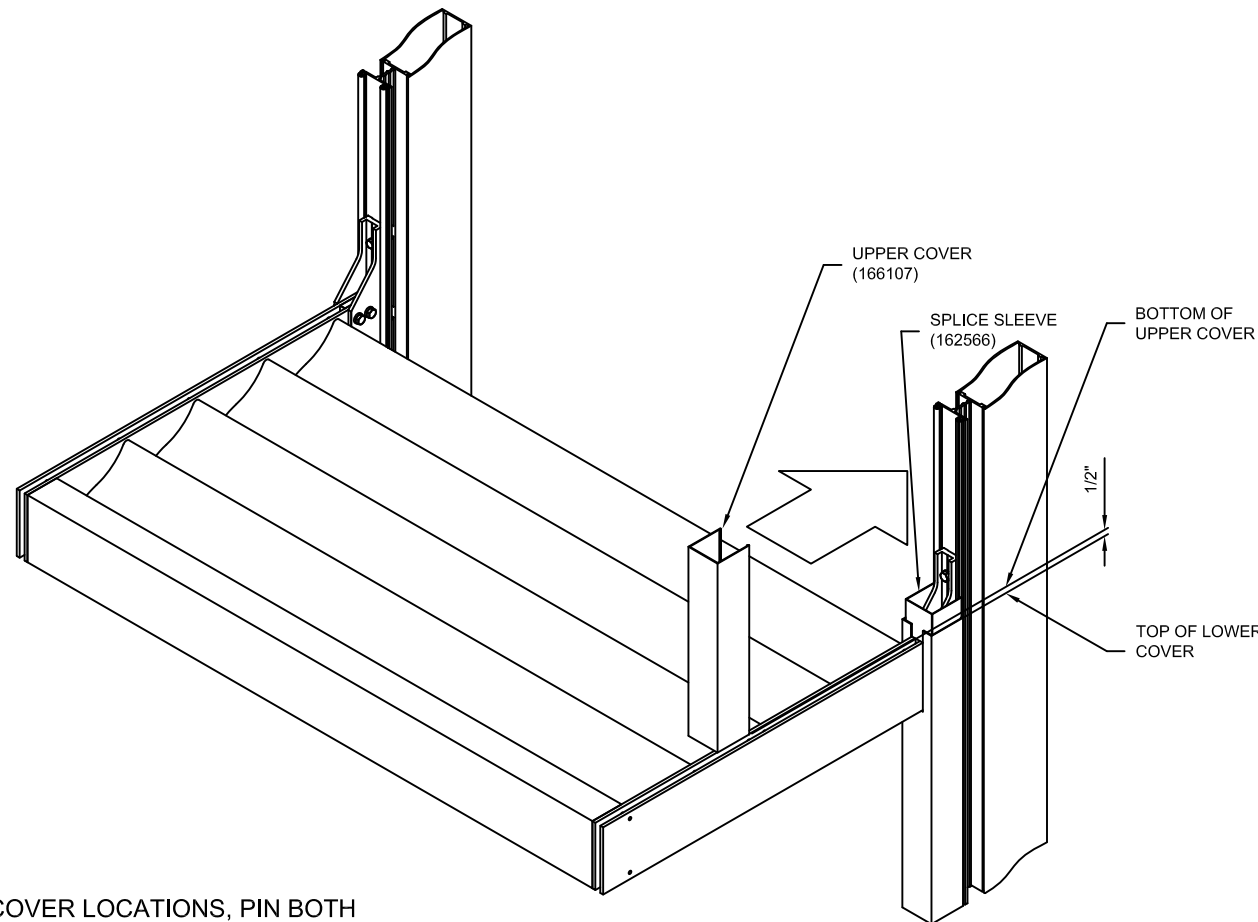
NOTE: THE 3/8" HEX HEAD BOLTS AND CORRESPONDING NUTS MUST BE CENTERED ON THE ANCHOR CLIP IN ORDER FOR THE SPLICE SLEEVE TO FIT. CHECK AND MAKE ADJUSTMENTS BEFORE PROCEEDING.

APPLY HORIZONTAL COVERS PER STANDARD INSTALLATION INSTRUCTIONS.

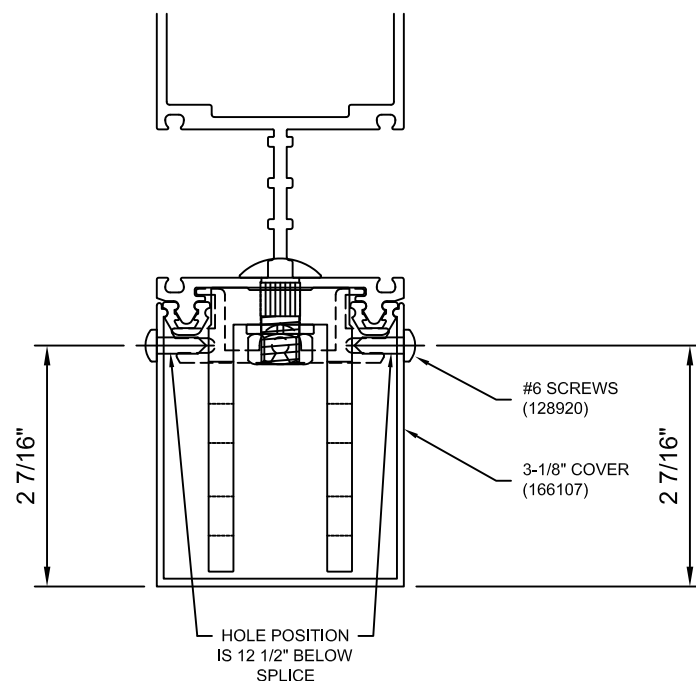


THESE DRAWINGS ARE THE SOLE AND EXCLUSIVE PROPERTY OF KAWNEER AND CONTAIN SENSITIVE, PRIVILEGED OR CONFIDENTIAL INFORMATION WHICH MAY BE USED ONLY FOR ITS BENEFIT. THE DISCLOSURE OF THESE DRAWINGS TO UNAUTHORIZED PERSONS IS STRICTLY PROHIBITED. THIS DOCUMENT AND ALL COPIES MUST BE RETURNED UPON DEMAND.
© COPYRIGHT KAWNEER COMPANY, INC., 2011

ALIGN THE UPPER COVER WITH THE MULLION, ABOVE THE OUTRIGGERS, AND SPLICE SLEEVE ON THE LOWER COVER, LEAVING A 1/2" EXPANSION SPLICE BETWEEN THE UPPER AND LOWER COVERS. ENGAGE AS PER STANDARD 1600 SYSTEM 5 INSTALLATION INSTRUCTIONS.



AT ALL VERTICAL COVER LOCATIONS, PIN BOTH HALVES OF THE VERTICAL COVERS. DRILL A Ø0.106" HOLE (#36 DRILL) 12 1/2" BELOW THE SPLICE AND 2 7/16" FROM THE OUTSIDE SURFACE OF THE COVER. INSTALL #6 x 3/8" PAN HEAD SCREWS (128920).



SUNSHADE ATTACHMENT - CORNERS

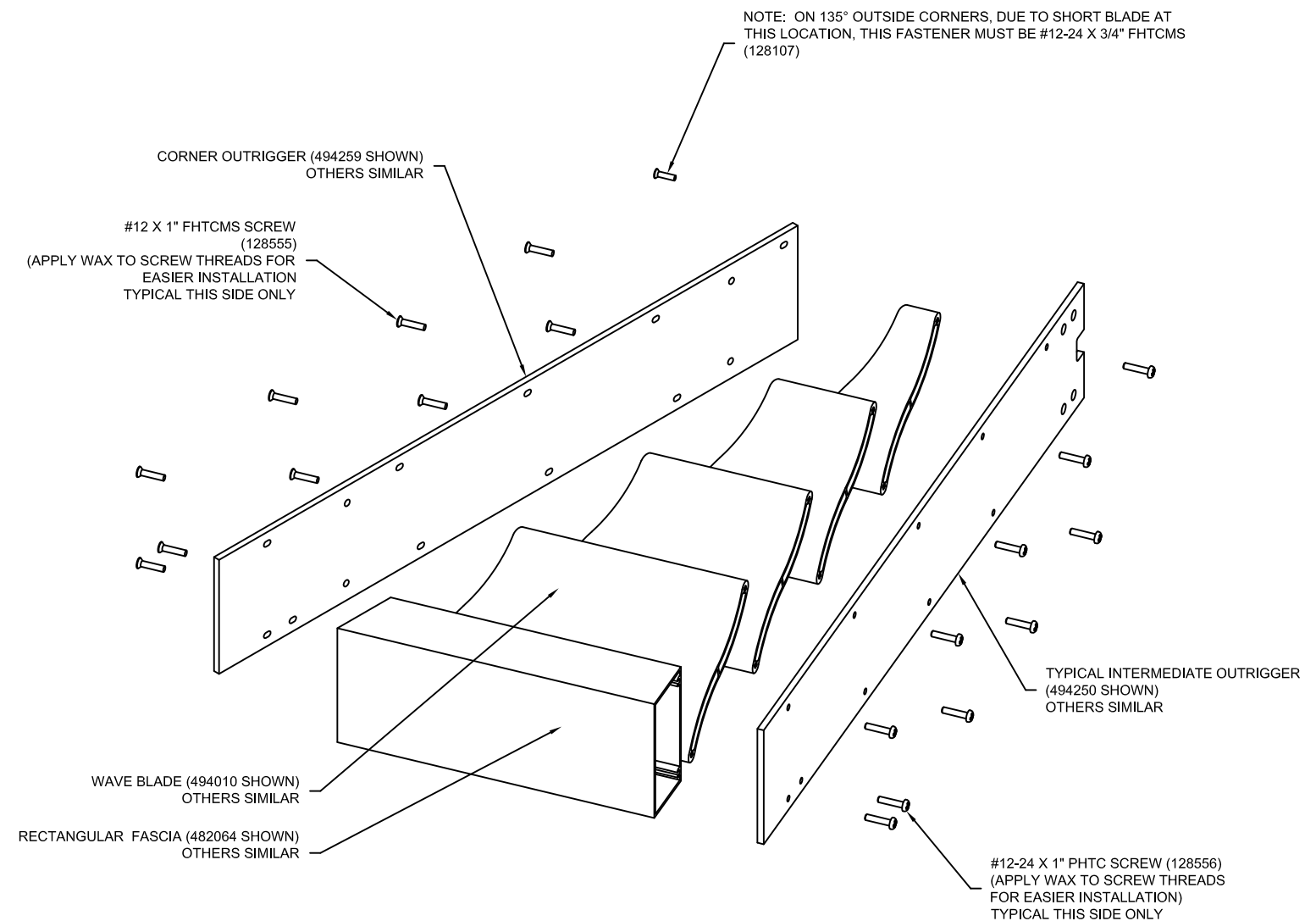
ASSEMBLING THE CORNER SUNSHADES

VERSOLEIL OUTRIGGER SUNSHADE BAY ASSEMBLIES USE SCREW SPLINE JOINERY. LAYOUT LEFT AND RIGHT OUTRIGGERS (AT INSIDE CORNERS, AND SINGLE MULLION 90° OUTSIDE CORNERS ARE HANDED PARTS), BLADES, AND FASCIA PER SHOP DRAWINGS. SEE BELOW.

USING #12-24 X 1" FLAT HEAD THREAD CUTTING SCREWS (128555), JOIN BLADES AND FASCIA TO CORNER OUTRIGGER - DO NOT TIGHTEN COMPLETELY. USING #12-24 x 1" PAN HEAD THREAD CUTTING SCREWS (128556), JOIN BLADES AND FASCIA COMPONENTS TO TYPICAL INTERMEDIATE OUTRIGGER. TIGHTEN SCREWS ON BOTH SIDES.

NOTE: WHEN ASSEMBLING 135° OUTSIDE CORNER, THE USE OF A #12-24 X 3/4" FHTCMS (128107) FASTENER IS REQUIRED AT THE INNER-MOST BLADE DUE TO THE LENGTH OF THE BLADE AT THIS LOCATION. SEE BELOW.

ASSEMBLE ALL OF THE VERSOLEIL OUTRIGGER SUNSHADE BAY ASSEMBLIES AND MARK OR TAG EACH ONE TO MATCH CORRESPONDING UNIT AS SHOWN ON SHOP DRAWINGS.



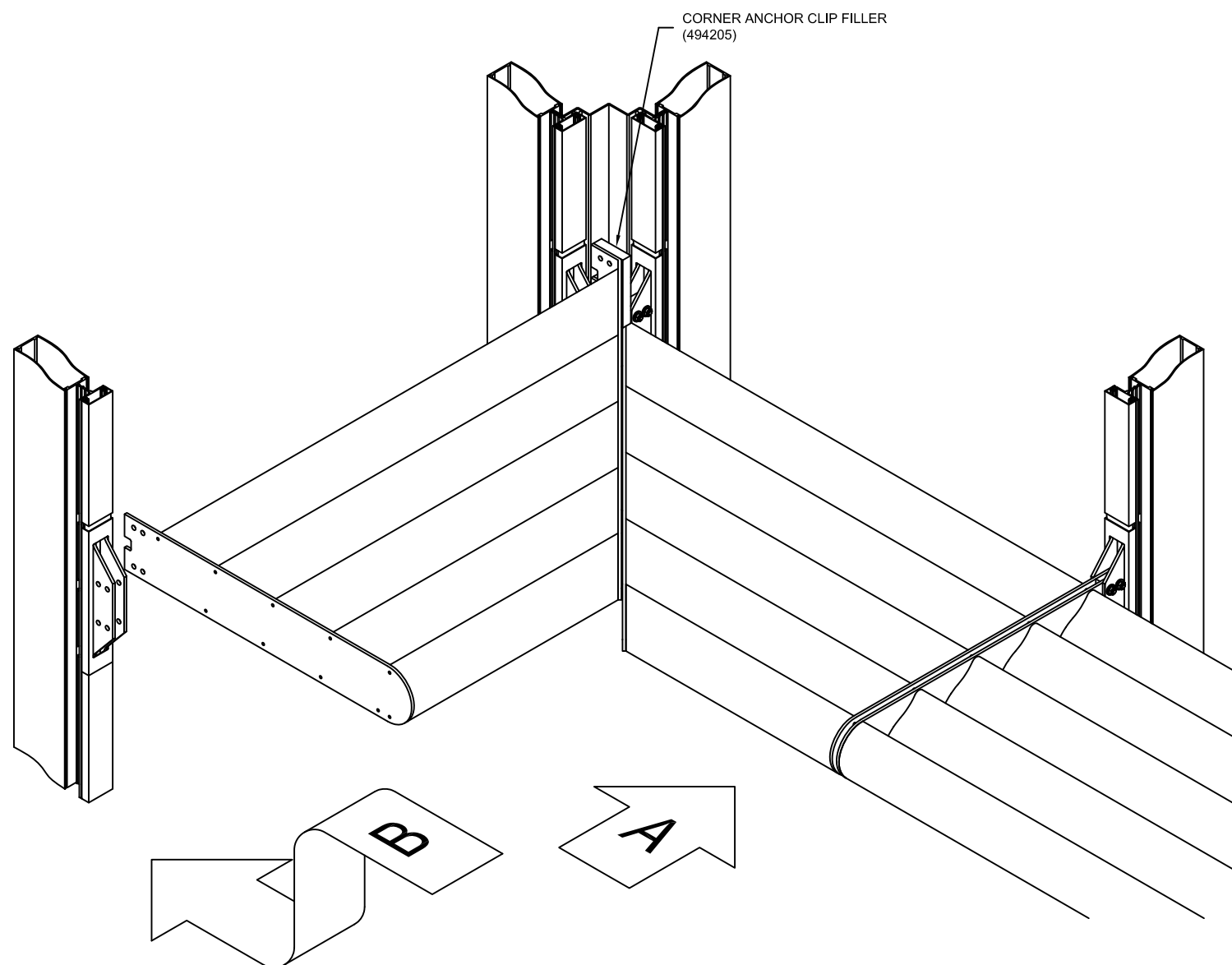
VERSOLEIL OUTRIGGER
SUNSHADE
1600 SYSTEM 5
INSTALLATION INSTRUCTIONS

INSTALLING THE SUNSHADE AT 90° & 135° DOUBLE MULLION INSIDE CORNERS

INSTALL ANCHOR BRACKETS AND 1" COVERS SIMILAR TO TYPICAL INTERMEDIATE MULLION APPLICATION.

IF THE SUNSHADE APPLICATION INCLUDES AN INSIDE CORNER, CONTINUE TO INSTALL SUNSHADES AS PREVIOUSLY DESCRIBED APPROACHING THE INSIDE CORNER CONDITION.

- A) INSTALL ONE SIDE OF CORNER SIMILAR TO "STRAIGHT RUN" OF SUNSHADE, USING CORNER ANCHOR CLIP FILLER (494205) AT THE CORNER MULLION.
- B) THE SECOND SIDE OF THE CORNER WILL BE LOWERED INTO THE ANCHOR CLIPS (494200) THEN FASTENED AS DESCRIBED IN THE "STRAIGHT RUN" SECTION, USING THE CORNER ANCHOR CLIP FILLER (494205) AT THE CORNER MULLION.
- C) CONTINUE INSTALLING SUNSHADES AS DESCRIBED IN PREVIOUS STEPS.



INSTALLING THE SUNSHADE AT 90° & 135° DOUBLE MULLION OUTSIDE CORNERS

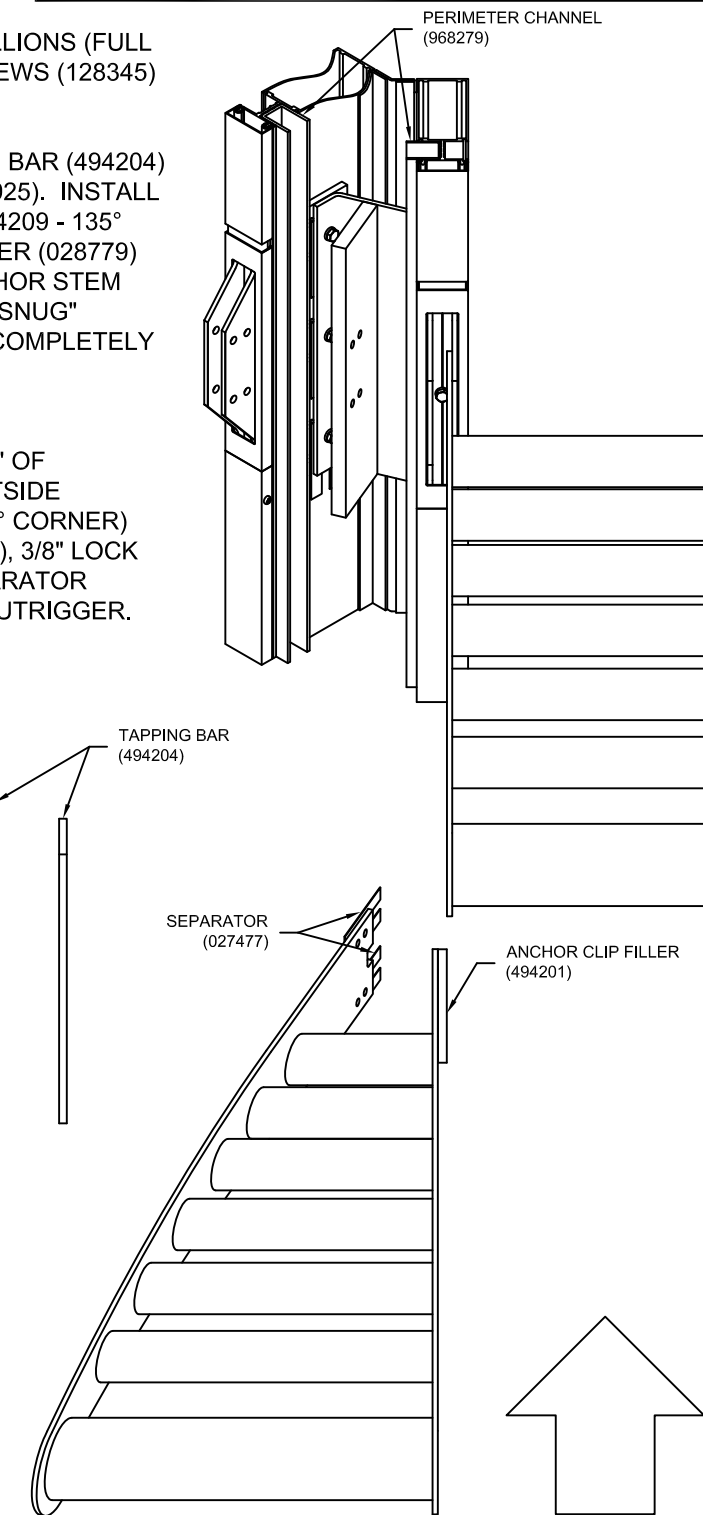
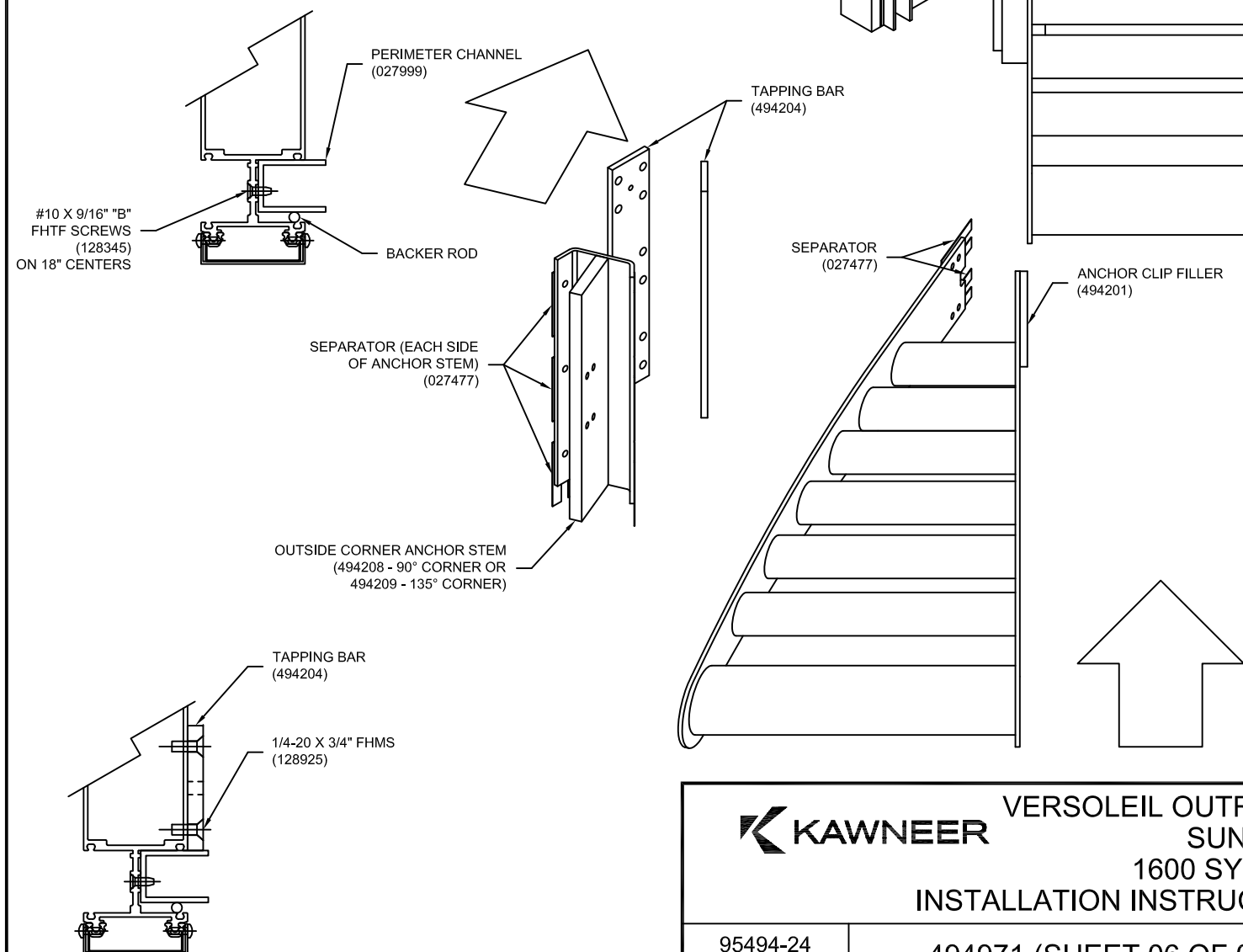
IF THE SUNSHADE APPLICATION INCLUDES AN OUTSIDE CORNER, CONTINUE TO INSTALL SUNSHADES AS PREVIOUSLY DESCRIBED APPROACHING THE OUTSIDE CORNER CONDITION.

FASTEN PERIMETER CHANNELS (027999) INTO CORNER MULLIONS (FULL HEIGHT, AS SHOWN BELOW), USING #10 X 9/16" B FHTF SCREWS (128345) ON 18" CENTERS.

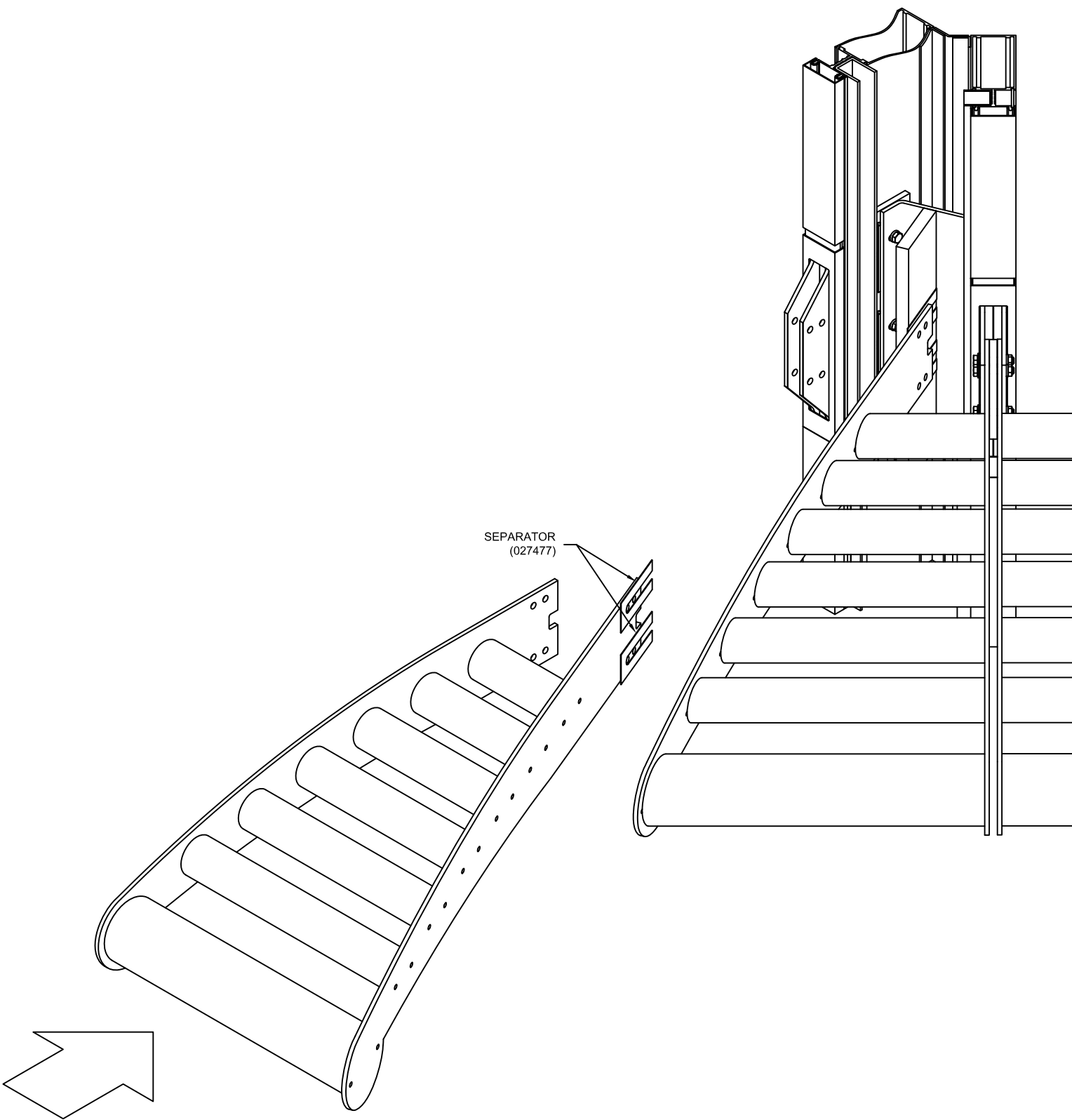
USING PRE-DRILLED MOUNTING HOLES, INSTALL A TAPPING BAR (494204) ON EACH CORNER MULLION USING 1/4"-20 X 3/4" FHMS (128925). INSTALL OUTSIDE CORNER ANCHOR STEM (494208 - 90° CORNER; 494209 - 135° CORNER) USING 3/8"-16 X 1" BOLT (028969), 3/8" LOCK WASHER (028779) AND INSTALL SEPARATORS (027477), BETWEEN STEEL ANCHOR STEM AND ALUMINUM TAPPING BARS. TIGHTEN 3/8" BOLTS TO A "SNUG" CONDITION ENSURING SPRING TYPE LOCK WASHERS ARE COMPLETELY COMPRESSED.

****DO NOT EXCEED 100 IN-LBS****

INSTALL ONE SIDE OF CORNER SIMILAR TO "STRAIGHT RUN" OF SUNSHADE, ATTACHING TO ANCHOR CLIP (494200) AND OUTSIDE CORNER ANCHOR STEM (494208 - 90° CORNER; 494209 - 135° CORNER) USING 3/8"-16 X 2" BOLT (128539), 3/8" FLAT WASHER (028596), 3/8" LOCK WASHER (028779), 3/8" HEX NUT (028780) AND INSTALL SEPARATOR (027477) BETWEEN STEEL ANCHOR STEM AND ALUMINUM OUTRIGGER.



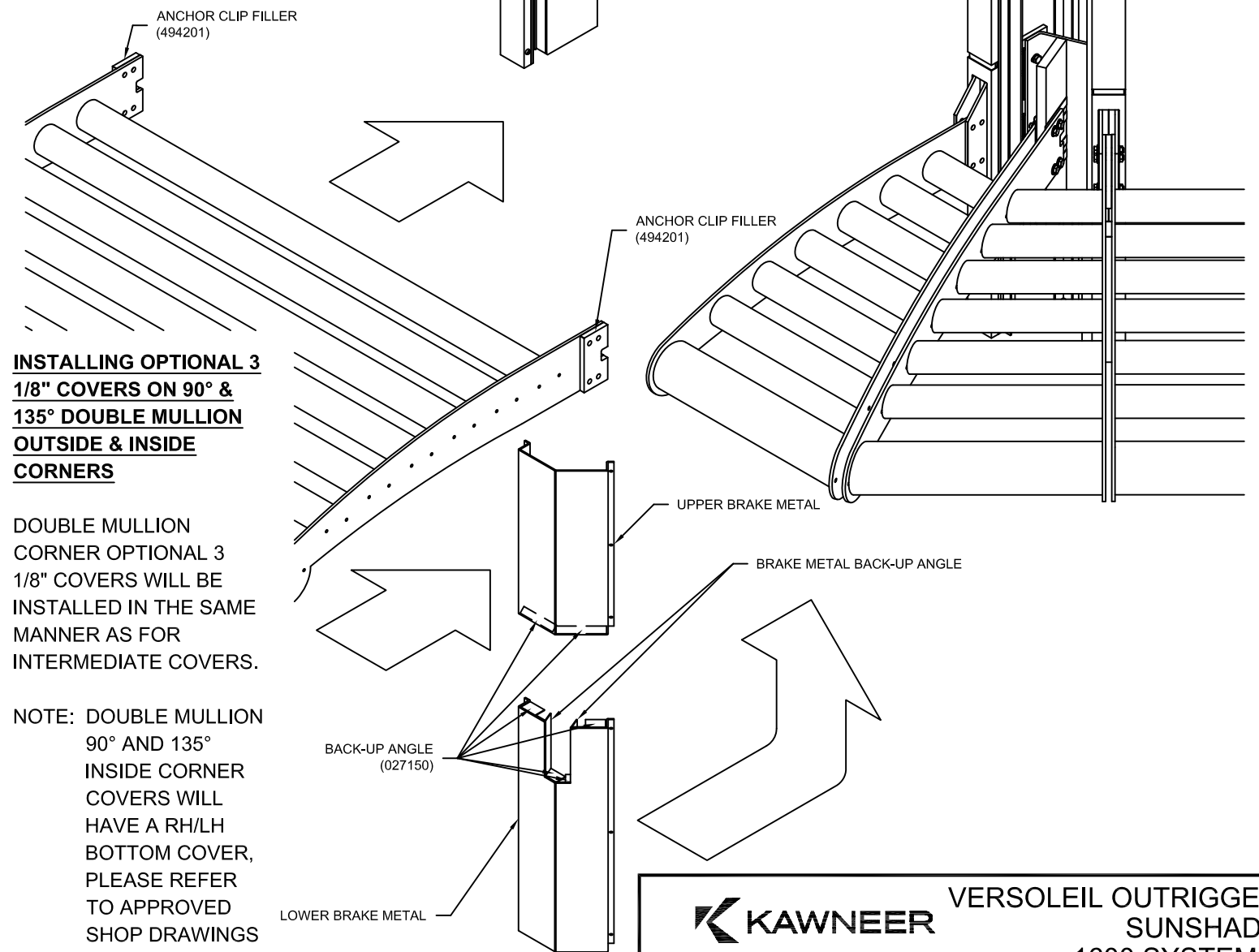
INSTALL SECOND SIDE OF CORNER IN THE SAME MANNER AS THE FIRST, ATTACHING TO ANCHOR CLIP (494200) AND OUTSIDE CORNER ANCHOR STEM (494208 - 90° CORNER; 494209 - 135° CORNER) USING 3/8"-16 X 2" BOLT (128539), 3/8" FLAT WASHER (028596), 3/8" LOCK WASHER (028779), 3/8" HEX NUT (028780) AND INSTALL SEPARATOR (027477) BETWEEN STEEL ANCHOR STEM AND ALUMINUM OUTRIGGER.



FIELD BOND ANGLE (027150) AND BRAKE METAL BACK-UP ANGLES TO CORNER BRAKE METAL, AS SHOWN BELOW. LOWER BRAKE METAL MUST BE MANEUVERED INTO POSITION SO THAT NOTCH FITS AROUND CORNER OUTRIGGERS. USING BREAK METAL AS A GUIDE, MATCH DRILL PERIMETER CHANNELS WITH Ø0.159 (#21 DRILL) HOLES AND FASTEN TO PERIMETER CHANNELS USING #10 X 7/16" B PHTF FASTENERS (128407) ON 24" CENTERS. ALLOW A 1/2" EXPANSION SPLICE BETWEEN UPPER AND LOWER BRAKE METAL.

CLEAN AND PRIME (AS REQUIRED) ALL AREAS AROUND SPLICE PER SEALANT MANUFACTURER'S RECOMMENDATIONS. INSERT BACKER ROD AT BRAKE METAL SPLICE INTO ALL GAPS AROUND CORNER OUTRIGGERS AND INTO 1/2" EXPANSION SPLICE AND FILL WITH SEALANT. TOOL SEALANT.

CONTINUE INSTALLING SUNSHADES AS DESCRIBED IN PREVIOUS STEPS.



INSTALLING OPTIONAL 3 1/8" COVERS ON 90° & 135° DOUBLE MULLION OUTSIDE & INSIDE CORNERS

DOUBLE MULLION CORNER OPTIONAL 3 1/8" COVERS WILL BE INSTALLED IN THE SAME MANNER AS FOR INTERMEDIATE COVERS.

NOTE: DOUBLE MULLION 90° AND 135° INSIDE CORNER COVERS WILL HAVE A RH/LH BOTTOM COVER, PLEASE REFER TO APPROVED SHOP DRAWINGS TO DETERMINE PROPER ORIENTATION OF NOTCHES.

CONFIDENTIAL AND PROPRIETARY INFORMATION
KAWNEER COMPANY INC.

THESE DRAWINGS ARE THE SOLE AND EXCLUSIVE PROPERTY OF KAWNEER AND CONTAIN SENSITIVE, PRIVILEGED OR CONFIDENTIAL INFORMATION WHICH MAY BE USED ONLY FOR ITS BENEFIT. THE DISCLOSURE OF THESE DRAWINGS TO UNAUTHORIZED PERSONS IS STRICTLY PROHIBITED. THIS DOCUMENT AND ALL COPIES MUST BE RETURNED UPON DEMAND.
© COPYRIGHT KAWNEER COMPANY, INC., 2011