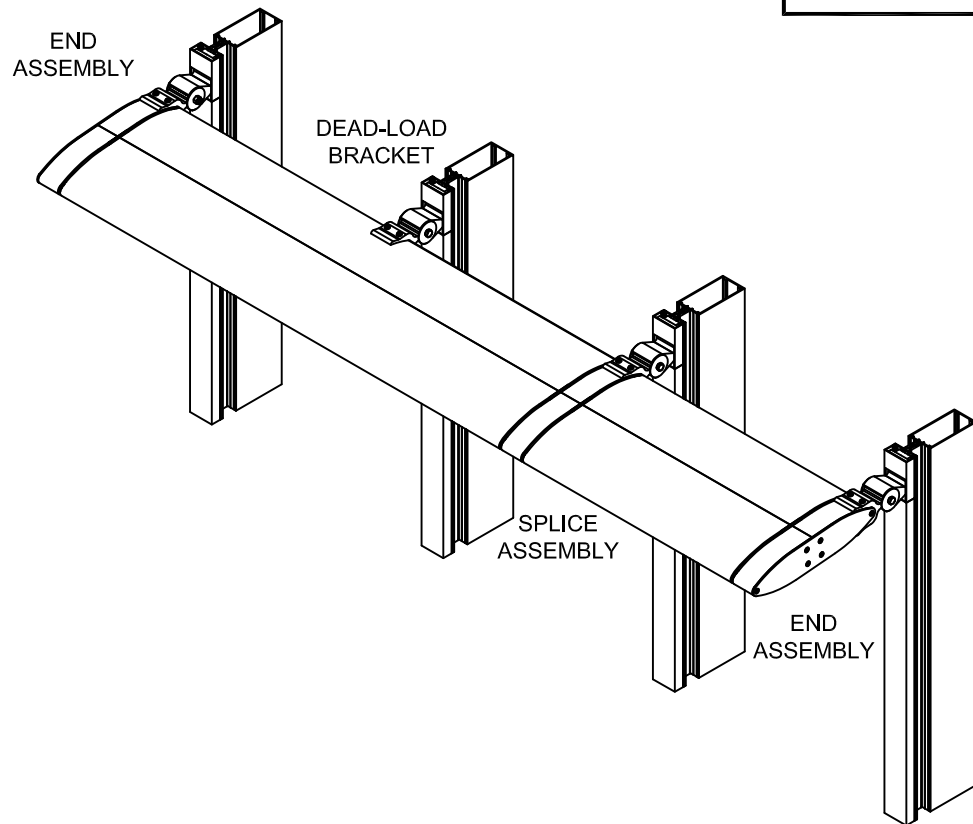


THE FOLLOWING INSTRUCTIONS ARE FOR THE INSTALLATION OF THE KAWNEER VERSOLEIL SINGLE BLADE SUNSHADE. USE THESE INSTRUCTIONS IN CONJUNCTION WITH 1600 SYSTEM 1 CURTAIN WALL INSTALLATION INSTRUCTIONS (162970) OR 1600 CAPTURED SCREW SPLINE CURTAIN WALL INSTALLATION INSTRUCTIONS (169970).

THE TERMS "INSIDE" AND "OUTSIDE" ARE USED EXTENSIVELY IN THESE INSTRUCTIONS. THESE TERMS DO NOT REFER TO THE INTERIOR AND EXTERIOR OF THE BUILDING. THE TERMS REFER TO THE RELATIVE POSITION OF WORK PERFORMED ON THE SUNSHADE FROM AN ELEVATION PERSPECTIVE. SIMILARLY, THE TERMS "RIGHT" AND "LEFT" ARE USED.

NOTE: A 3/4" PERIMETER JOINT IS REQUIRED FOR BOLT HEAD CLEARANCE AND BLADE INSTALLATION WHEN THE BUILDING CONDITION EXTENDS BEYOND THE BRACKET.

ELEVATION FRONT VIEW OF SINGLE BLADE SUNSHADE



**FRAME ASSEMBLY**

VERTICAL MULLIONS WILL BE LABELED DESIGNATING POSITION AND ORIENTATION. THESE DESIGNATIONS MUST BE IDENTIFIED AND MATCHED TO SHOP DRAWINGS BEFORE PROCEEDING WITH ANY ASSEMBLY. FAILURE TO PROPERLY ORIENT OR POSITION THE VERTICAL MULLIONS WILL PROHIBIT INSTALLATION OF THE SUNSHADE.

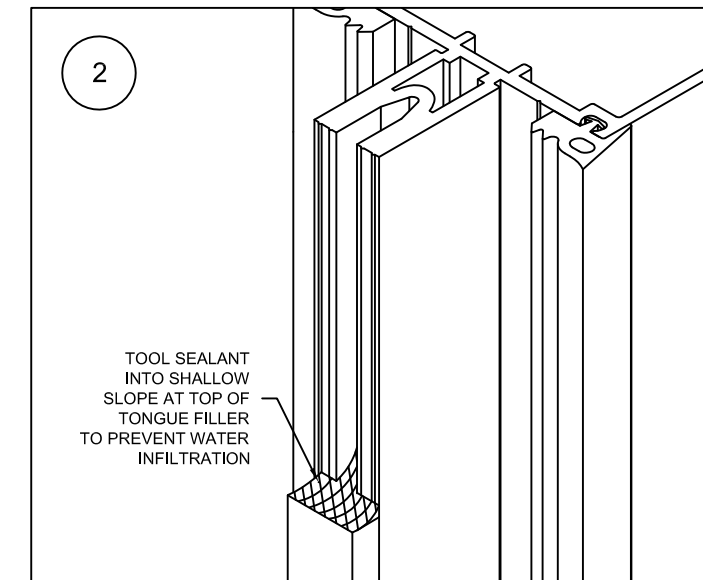
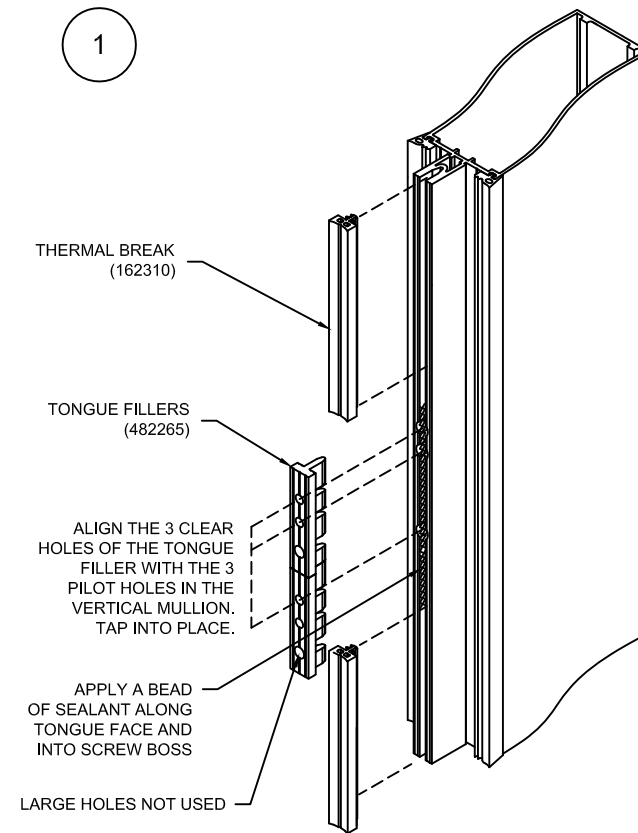
**INSTALL 162310 THERMAL BREAK**

INSTALLATION OF THE THERMAL BREAK ON HORIZONTAL MEMBERS REMAINS UNCHANGED FROM STANDARD INSTALLATION INSTRUCTIONS.

SUNSHADES REQUIRE THE USE OF TWO TONGUE FILLERS (482265) AT EVERY MOUNTING BRACKET LOCATION. CHECK SHOP DRAWINGS FOR POSITION OF BRACKETS. FOR EACH LOCATION OF A MOUNTING BRACKET, THE VERTICAL MULLION HAS BEEN PREPPED WITH THREE PILOT HOLES. RUN A BEAD OF SEALANT ALONG THE TONGUE FACE AND INTO THE SCREW BOSS AT EACH TONGUE FILLER LOCATION AND TAP TONGUE FILLER INTO PLACE. ALIGN THE CLEAR HOLES OF THE TONGUE FILLERS WITH THE THREE HOLES IN THE MULLION. ADJUST TONGUE FILLER UNTIL HOLES ARE IN PROPER ALIGNMENT. TOOL EXCESS SEALANT. SEE DETAIL 1.

RUN A BEAD OF SEALANT ACROSS THE TOP OF THE TONGUE FILLER. SEE DETAIL 2. TOOL SEALANT INTO A SHALLOW SLOPE TO PREVENT POSSIBLE WATER INFILTRATION. BE SURE TO FILL THE GAP BETWEEN THE "NOSE" OF THE TONGUE FILLER AND THE GROOVE OF THE TONGUE. DO NOT ALLOW SEALANT TO CURE PRIOR TO INSTALLING THERMAL BREAK (162310).

INSERT THERMAL BREAK (162310) ALONG THE FULL LENGTH OF THE VERTICAL MULLION TONGUE WITH THE EXCEPTION OF THE TONGUE FILLER LOCATIONS. SEE DETAIL 1. TRIM FLUSH AT TOP AND BOTTOM OF TONGUE FILLER. DO NOT OVERLAP.



**INSTALL EXTERIOR PRESSURE PLATES**

PRESSURE PLATES WILL BE PREPPED FOR THE SUNSHADES PRIOR TO SHIPMENT TO THE JOB SITE. THE PREP WILL CONSIST OF THREE CLEAR HOLES PER SUNSHADE MOUNTING BRACKET. CLEAR HOLES IN PRESSURE PLATE MUST BE ALIGNED WITH CORRESPONDING CLEAR HOLES IN TONGUE FILLER. SEE DETAIL 3.

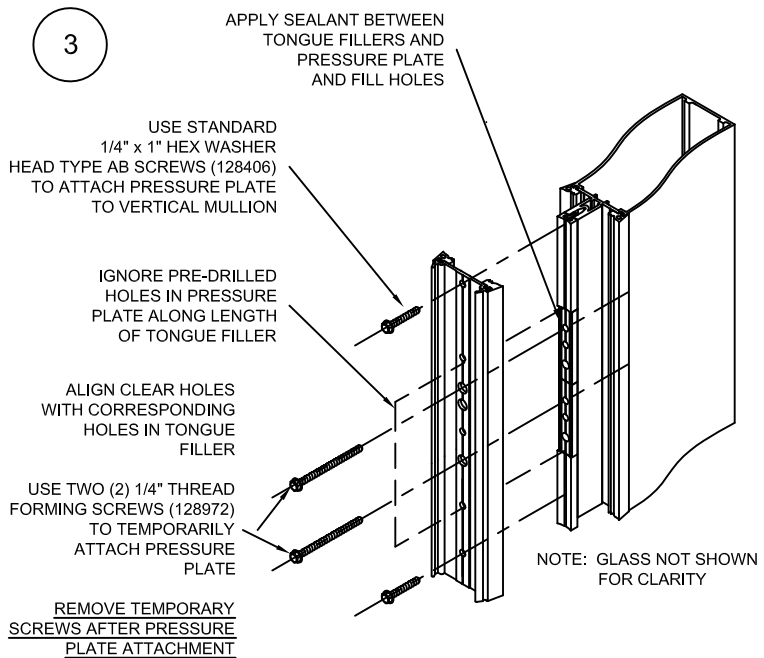
CONFIDENTIAL AND PROPRIETARY INFORMATION  
KAWNEER COMPANY INC.

THESE DRAWINGS ARE THE SOLE AND EXCLUSIVE PROPERTY OF KAWNEER AND CONTAIN SENSITIVE, PRIVILEGED OR CONFIDENTIAL INFORMATION WHICH MAY BE USED ONLY FOR ITS BENEFIT. THE DISCLOSURE OF THESE DRAWINGS TO UNAUTHORIZED PERSONS IS STRICTLY PROHIBITED. THIS DOCUMENT AND ALL COPIES MUST BE RETURNED UPON DEMAND.  
© COPYRIGHT KAWNEER COMPANY, INC., 2010

APPLY SEALANT BETWEEN TONGUE FILLERS AND PRESSURE PLATES PRIOR TO PRESSURE PLATE INSTALLATION.

TO ENSURE ALIGNMENT, INSERT TWO (2) 1/4" THREAD FORMING SCREWS (128972) THROUGH THE CENTER OF THE CLEAR HOLES IN BOTH THE TOP AND BOTTOM POSITION AS TEMPORARIES (FINGER TIGHTEN).

INSTALL PRESSURE PLATES USING STANDARD 1/4" x 1" HEX WASHER HEAD TYPE AB SCREWS (128406). USE ONLY PRE-DRILLED HOLES IN PRESSURE PLATE AND APPLY ONLY THROUGH THERMAL BREAK (162310). DO NOT SCREW INTO TONGUE FILLERS (482265).



**EXTERIOR COVERS**

BEFORE INSTALLING THE EXTERIOR COVERS, THE SUNSHADE MOUNTING SPACER AND MOUNTING BRACKET MUST FIRST BE INSTALLED.

# BRACKET ASSEMBLY

NOTE THAT STEPS 1-7 ARE FOR "STRAIGHT-LINE" SUNSHADES (NO CORNERS).

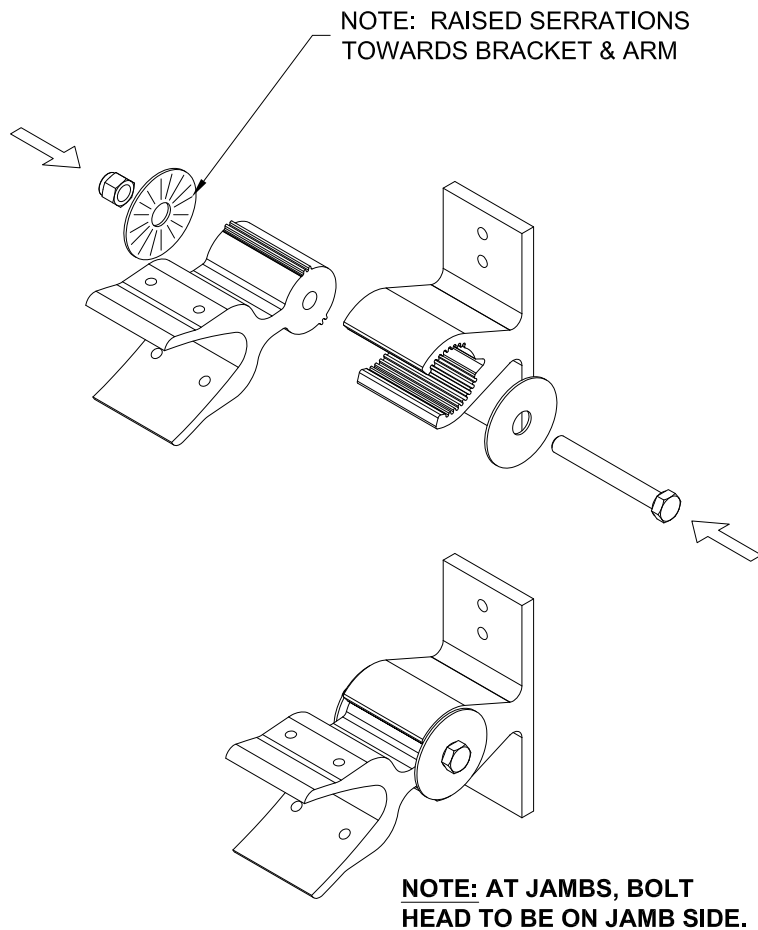
STEP 8 ILLUSTRATES THE INSTALLATION OF "INSIDE" CORNER SUNSHADES.

STEP 9 ILLUSTRATES THE INSTALLATION OF "OUTSIDE" CORNER SUNSHADES.

## STEP 1 - ASSEMBLING MOUNTING BRACKETS & ARMS

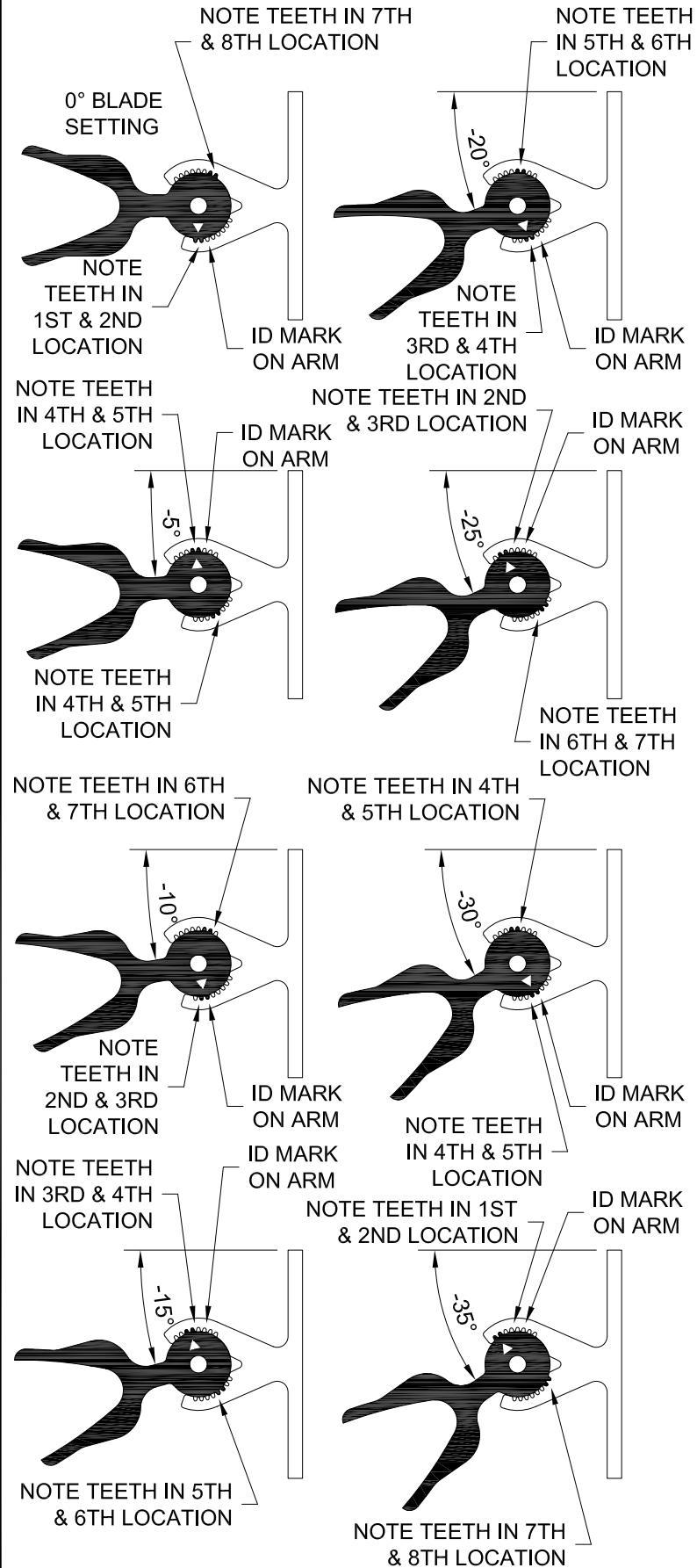
ALIGN THE MOUNTING ARM (482262) AND THE MOUNTING BRACKET (482260) AT SPECIFIED ANGLE (REFERENCE BRACKET ANGLES IN NEXT COLUMN). SLIDE MOUNTING ARM INTO MOUNTING BRACKET AND FASTEN TOGETHER USING 3/8"-16 X 3" HHMS (128916), 3/8" LOCK NUT (128392), AND TWO (2) SERRATED WASHERS (128979) - NOTE: RAISED SERRATIONS ON WASHERS SHOULD BE FACING THE BRACKET AND ARM.

NOTE: BOLT AND LOCK NUT MUST BE TIGHTENED TO AN INITIAL TORQUE OF 200 IN-LBS (17 FT-LBS).



BRACKET ANGLES SHOWN BELOW.

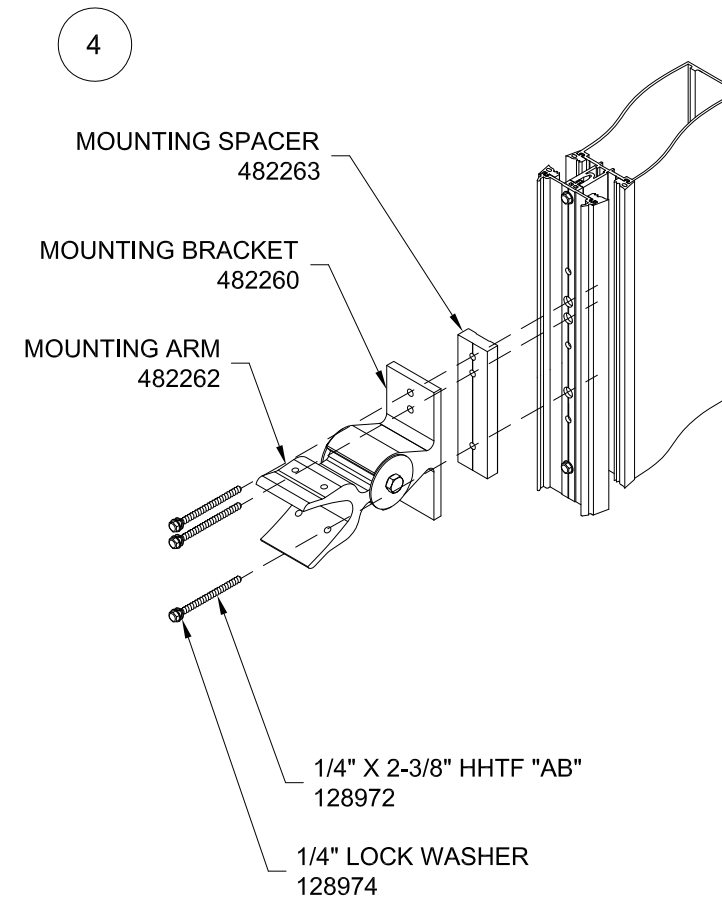
CRITICAL NOTE: THE MOUNTING BRACKET AND ARM IS NOT SYMMETRICAL. PLEASE NOTE THE ID MARK LOCATION ON ARM AND ORIENTATION OF BRACKET.



## STEP 2 - ATTACH MOUNTING BRACKETS / SPACERS

ALIGN THE THREE CLEAR HOLES IN THE MOUNTING SPACER (482263), AND MOUNTING BRACKET (482260) WITH THE THREE CLEAR HOLES IN THE PRESSURE PLATE AND ATTACH WITH THREE (3) 1/4" X 2-3/8" THREAD FORMING SCREWS (128972) (WITH THREE (3) LOCK WASHERS 128974). SEE DETAIL 4.

THE THREAD FORMING ACTION OF THE 1/4" X 2-3/8" SCREWS WILL CAUSE ADDITIONAL RESISTANCE AND REQUIRE EXTRA FORCE TO SEAT. APPLY A WAX LUBRICANT TO THE THREADS BEFORE PROCEEDING.



NOTE: DO NOT INCREASE HOLE SIZE TO FACILITATE INSTALLATION

USING A STANDARD 3/8" SOCKET WRENCH, TIGHTEN TO A "SNUG" CONDITION. BE SURE THE SPRING TYPE LOCK WASHERS ARE COMPRESSED. THEN TIGHTEN APPROXIMATELY 1/2 TURN MORE.

ATTACH ALL MOUNTING BRACKETS BEFORE PROCEEDING TO STEP 3.

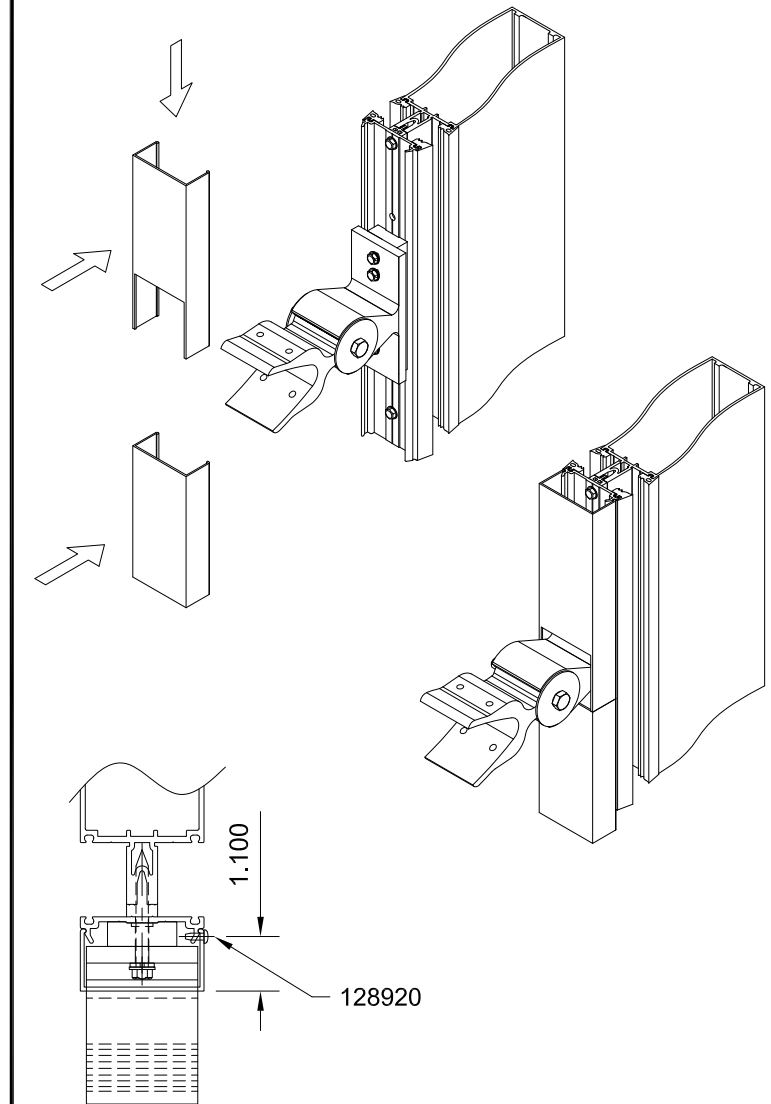
CONFIDENTIAL AND PROPRIETARY INFORMATION

KAWNEER COMPANY INC.

THESE DRAWINGS ARE THE SOLE AND EXCLUSIVE PROPERTY OF KAWNEER AND CONTAIN SENSITIVE, PRIVILEGED OR CONFIDENTIAL INFORMATION WHICH MAY BE USED ONLY FOR ITS BENEFIT. THE DISCLOSURE OF THESE DRAWINGS TO UNAUTHORIZED PERSONS IS STRICTLY PROHIBITED. THIS DOCUMENT AND ALL COPIES MUST BE RETURNED UPON DEMAND. © COPYRIGHT KAWNEER COMPANY, INC., 2011

## STEP 3 - INSTALLING PRESSURE PLATE COVERS

PRESSURE PLATE COVERS SHOULD BE INSTALLED AFTER THE MOUNTING BRACKETS / MOUNTING SPACERS ARE INSTALLED.



NOTE: PIN VERTICAL COVER AT THE SILL AND NEXT HORIZONTAL COVER ABOVE A VERTICAL EXPANSION SPLICE ONLY. DRILL A Ø.106 (#36 DRILL) HOLE THROUGH COVER AND PRESSURE PLATE LEG AND FASTEN WITH A #6 X 3/8" PHTF "B" FASTENER (128920).

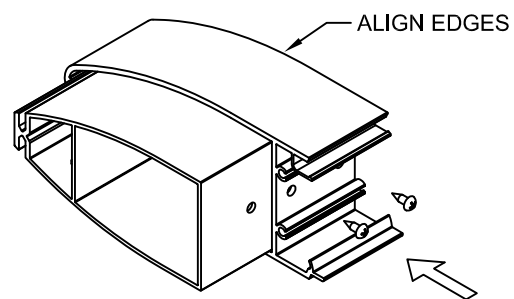
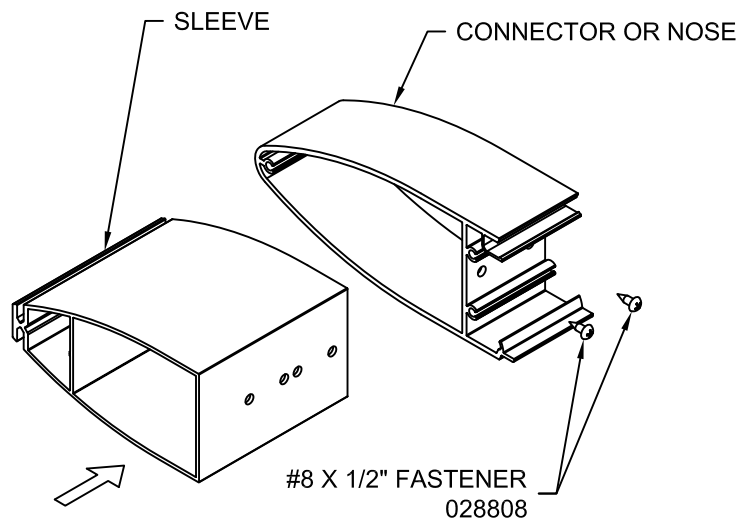
**KAWNEER** VERSOLEIL HORIZONTAL SINGLE BLADE 1600 SYSTEM 1 / 1600 SS INSTALLATION INSTRUCTIONS

# BLADE, END & SPLICE ASSEMBLIES

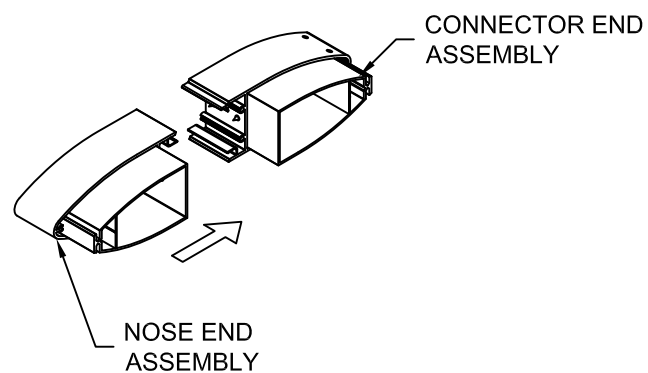
## STEP 4 - END ASSEMBLY

NOTE: 6" AND 8" ONE-PIECE BLADES WILL BE ATTACHED TO SLEEVES USING FASTENERS THROUGH MOUNTING ARMS.

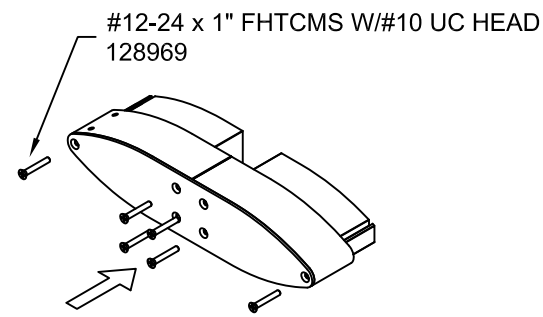
SLIDE SLEEVE INTO CONNECTOR OR NOSE, ALIGN MOUNTING HOLES AND SLEEVE EDGE WITH CONNECTOR OR NOSE EDGE. ATTACH USING TWO (2) #8 X 1/2" FASTENERS (028808).



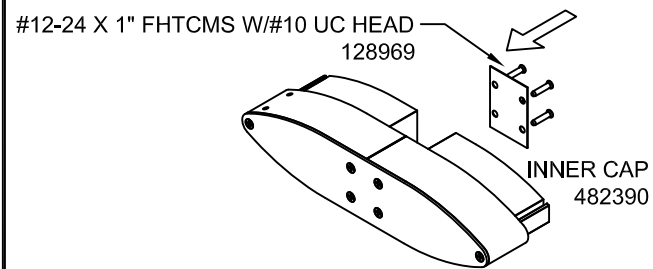
SNAP CONNECTOR END ASSEMBLY (WITH HOLES) AND NOSE END ASSEMBLY TOGETHER



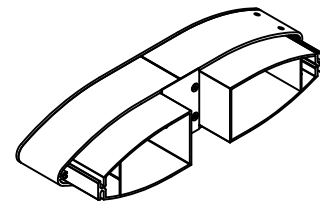
ATTACH ENDCAP TO END ASSEMBLY USING SIX (6) #12-24 X 1" FHTCMS "F" W/#10 UC HEAD (128969) FASTENERS



ATTACH INNER CAP (482390) TO END ASSEMBLY USING FOUR (4) #12-24 X 1" FHTCMS "F" W/#10 UC HEAD (128969) FASTENERS

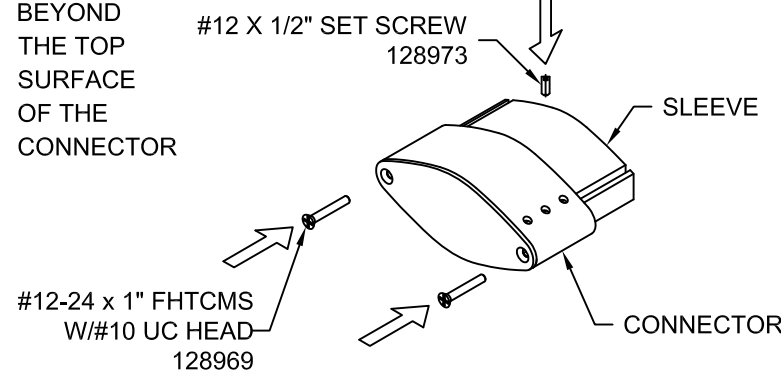


NOTE THAT END ASSEMBLY CAN BE USED AT LEFT JAMB OR RIGHT JAMB (BY ROTATING ASSEMBLY OVER)



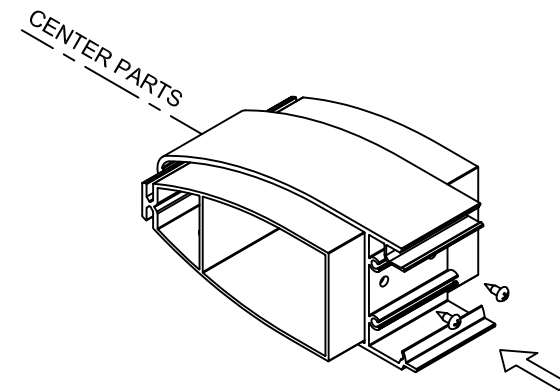
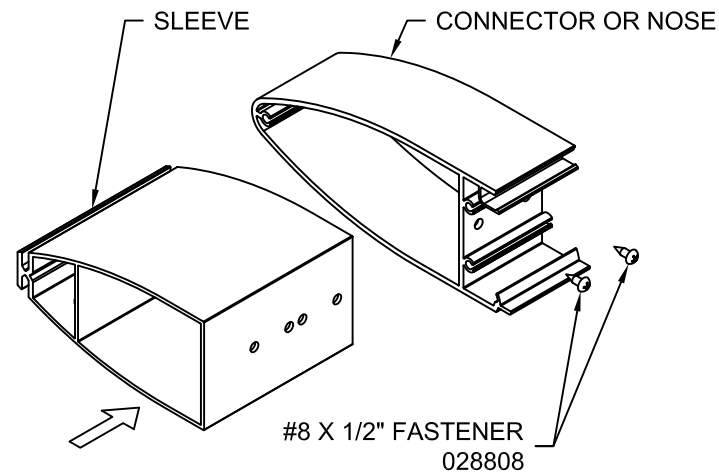
FOR ONE-PIECE-BLADE END ASSEMBLIES, ATTACH ENDCAP TO CONNECTOR USING TWO (2) #12-24 X 1" FHTCMS "F" W/#10 UC HEAD FASTENERS (128969)

NOTE: SLIDE SLEEVE INTO CONNECTOR AND FASTEN WITH ONE (1) #12 X 1/2" SET SCREW (128973) AT CENTER HOLE. SET SCREW MUST NOT EXTEND BEYOND THE TOP SURFACE OF THE CONNECTOR

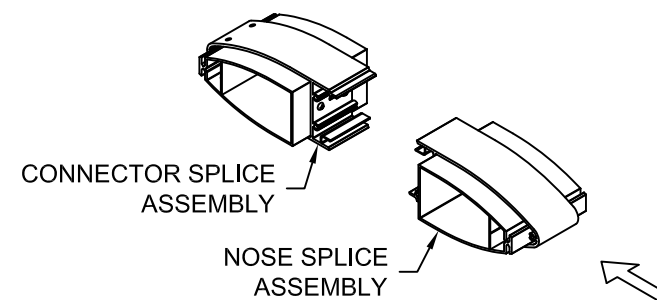


## STEP 5 - SPLICE ASSEMBLY

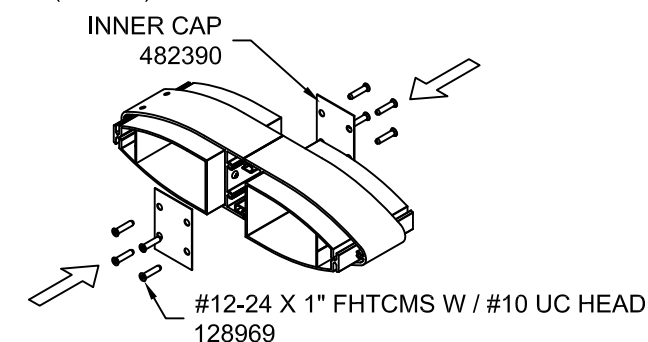
SLIDE SLEEVE INTO CONNECTOR OR NOSE. ALIGN SLEEVE CENTER ON CONNECTOR OR NOSE CENTER. ATTACH USING TWO (2) #8 X 1/2" FASTENERS (028808).



SNAP CONNECTOR SPLICE ASSEMBLY (WITH HOLES) AND NOSE SPLICE ASSEMBLY TOGETHER



ATTACH INNER CAP (482390) TO SPLICE ASSEMBLY ON EACH SIDE USING FOUR (4) #12-24 X 1" FHTCMS W/#10 UC HEAD (128969) FASTENERS

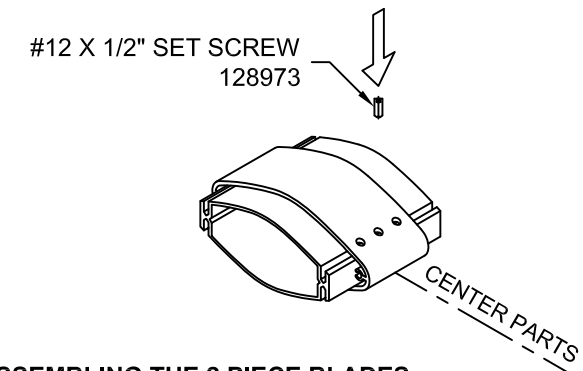


CONFIDENTIAL AND PROPRIETARY INFORMATION  
KAWNEER COMPANY INC.

THESE DRAWINGS ARE THE SOLE AND EXCLUSIVE PROPERTY OF KAWNEER AND CONTAIN SENSITIVE, PRIVILEGED OR CONFIDENTIAL INFORMATION WHICH MAY BE USED ONLY FOR ITS BENEFIT. THE DISCLOSURE OF THESE DRAWINGS TO UNAUTHORIZED PERSONS IS STRICTLY PROHIBITED. THIS DOCUMENT AND ALL COPIES MUST BE RETURNED UPON DEMAND.  
© COPYRIGHT KAWNEER COMPANY, INC., 2010

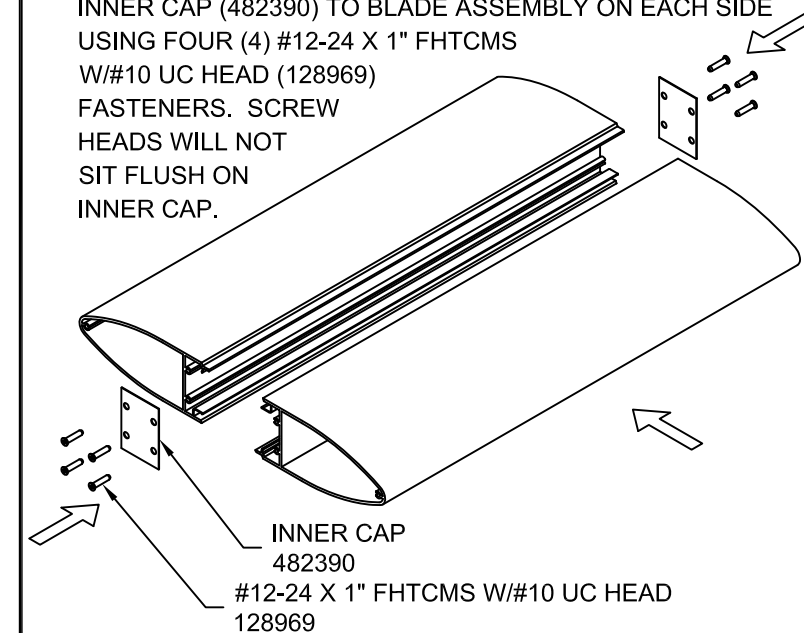
FOR ONE-PIECE-BLADE SPLICE ASSEMBLIES, CENTER SLEEVE IN CONNECTOR AND FASTEN WITH ONE (1) #12 X 1/2" SET SCREW (128973) AT CENTER HOLE.

NOTE: SET SCREW MUST NOT EXTEND BEYOND THE TOP SURFACE OF THE CONNECTOR.



## STEP 6 - ASSEMBLING THE 2 PIECE BLADES

SNAP TWO (2) BLADE PIECES TOGETHER (BLADES TO BE CUT TO LENGTH BEFORE ASSEMBLY). THEN ATTACH INNER CAP (482390) TO BLADE ASSEMBLY ON EACH SIDE USING FOUR (4) #12-24 X 1" FHTCMS W/#10 UC HEAD (128969) FASTENERS. SCREW HEADS WILL NOT SIT FLUSH ON INNER CAP.



NOTE: IF SUNSHADE CONDITION HAS CORNERS, INSTALL CORNER ENDCAPS TO MITERED ENDS OF CORNER BLADE ASSEMBLIES USING #12-24 X 1" FHTCMS "F" FASTENERS (128934) AS REQUIRED. SCREW HEADS WILL NOT SIT FLAT ON END CAP.

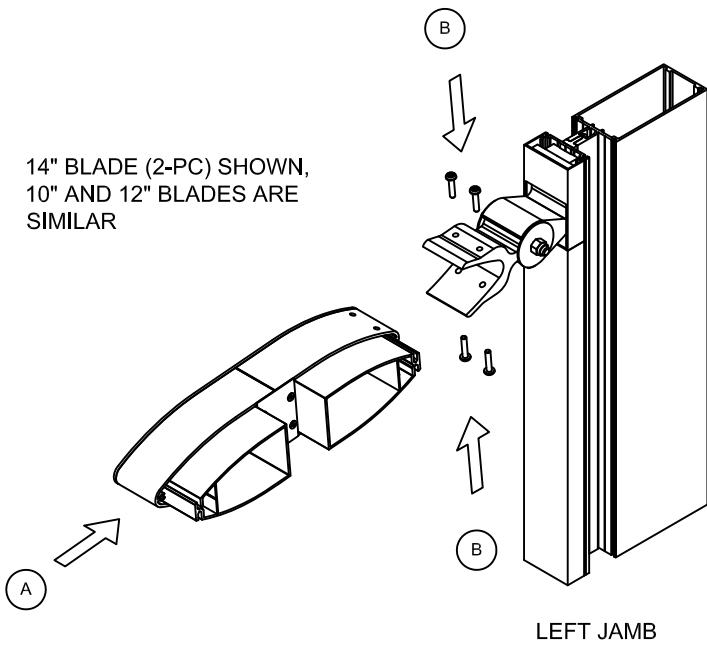
**KAWNEER** VERSOLEIL HORIZONTAL SINGLE BLADE  
1600 SYSTEM 1 / 1600 SS  
INSTALLATION INSTRUCTIONS

# MOUNTING THE SUNSHADES

## STEP 7 - INSTALLING END / SPLICE / BLADE ASSEMBLIES

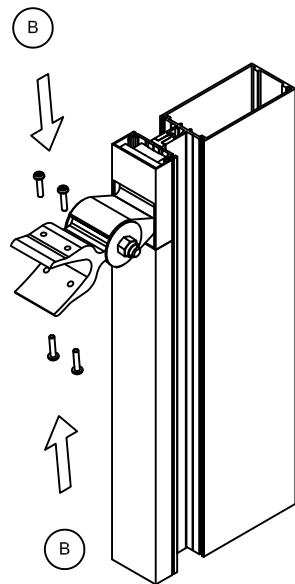
A) SLIDE END ASSEMBLY INTO MOUNTING ARM, ALIGNING MOUNTING HOLES IN BLADE AND MOUNTING HOLES IN MOUNTING ARM

B) FASTEN END ASSEMBLY TO MOUNTING ARM USING FOUR (4) #12 X 1" PHTF "AB" FASTENERS (128267)



14" BLADE (2-PC) SHOWN, 10" AND 12" BLADES ARE SIMILAR

LEFT JAMB



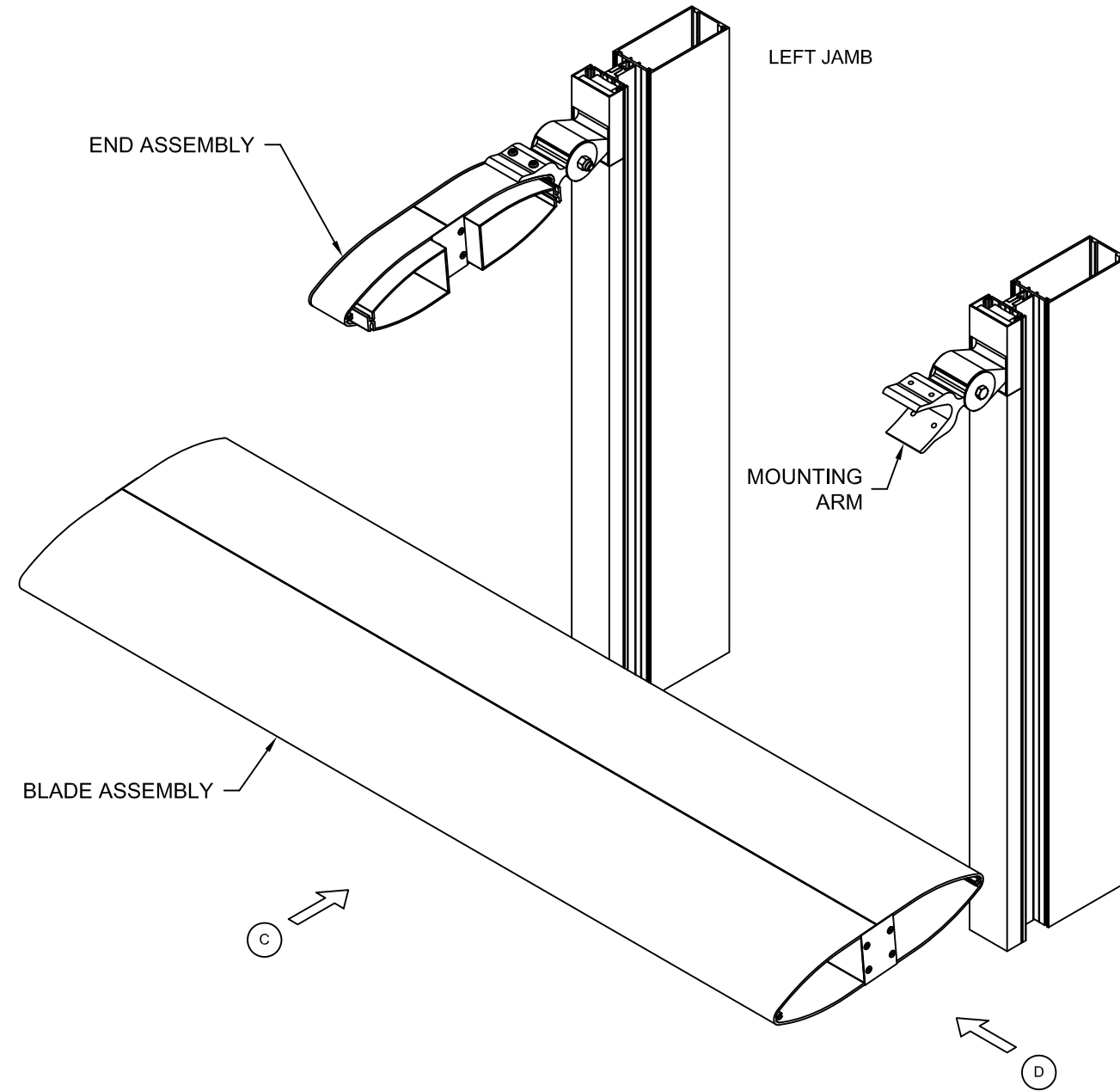
6" BLADE (1-PC) SHOWN, 8" BLADE IS SIMILAR

LEFT JAMB

C) SLIDE BLADE (ASSEMBLY, IF TWO-PIECE) INTO MOUNTING ARMS

D) SLIDE BLADE OVER SLEEVE IN THE END ASSEMBLY

E) TEMPORARILY HOLD BLADE IN PLACE UNTIL NEXT STEP (F) IS COMPLETE. ASSISTANCE MAY BE REQUIRED



**STEP 7 - INSTALLING END / SPLICE / BLADE ASSEMBLIES**

F) SLIDE SPLICE ASSEMBLY INTO MOUNTING ARM  
(SLEEVE SHOULD SLIDE INTO BLADE ASSEMBLY)

G) ALIGN MOUNTING HOLES IN SPLICE ASSEMBLY AND  
MOUNTING HOLES IN MOUNTING ARM

H) FASTEN SPLICE ASSEMBLY TO MOUNTING ARM USING  
FOUR (4) #12 X 1" PHTF "AB" FASTENERS (128267)

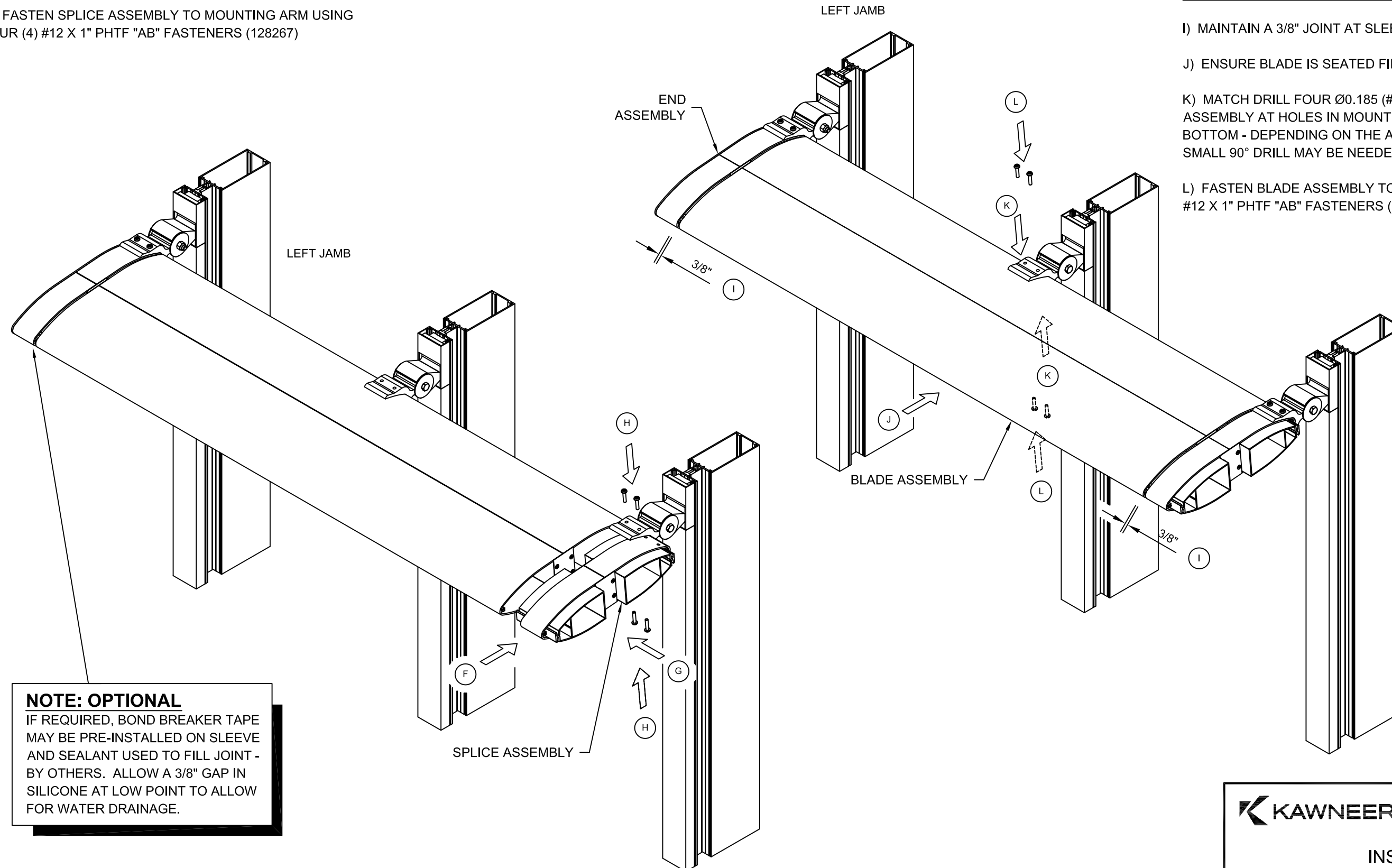
**STEP 7 - INSTALLING END / SPLICE / BLADE ASSEMBLIES**

I) MAINTAIN A 3/8" JOINT AT SLEEVES

J) ENSURE BLADE IS SEATED FIRMLY AGAINST MOUNTING ARM

K) MATCH DRILL FOUR Ø0.185 (#13 DRILL) HOLES INTO BLADE ASSEMBLY AT HOLES IN MOUNTING ARMS (TWO IN TOP AND TWO IN BOTTOM - DEPENDING ON THE ANGLE THAT THE BLADES ARE SET, A SMALL 90° DRILL MAY BE NEEDED)

L) FASTEN BLADE ASSEMBLY TO MOUNTING ARM USING FOUR (4) #12 X 1" PHTF "AB" FASTENERS (128267)



**NOTE: OPTIONAL**

IF REQUIRED, BOND BREAKER TAPE MAY BE PRE-INSTALLED ON SLEEVE AND SEALANT USED TO FILL JOINT - BY OTHERS. ALLOW A 3/8" GAP IN SILICONE AT LOW POINT TO ALLOW FOR WATER DRAINAGE.

CONFIDENTIAL AND PROPRIETARY INFORMATION  
KAWNEER COMPANY INC.

THESE DRAWINGS ARE THE SOLE AND EXCLUSIVE PROPERTY OF KAWNEER AND CONTAIN SENSITIVE, PRIVILEGED OR CONFIDENTIAL INFORMATION WHICH MAY BE USED ONLY FOR ITS BENEFIT. THE DISCLOSURE OF THESE DRAWINGS TO UNAUTHORIZED PERSONS IS STRICTLY PROHIBITED. THIS DOCUMENT AND ALL COPIES MUST BE RETURNED UPON DEMAND.  
© COPYRIGHT KAWNEER COMPANY, INC., 2010

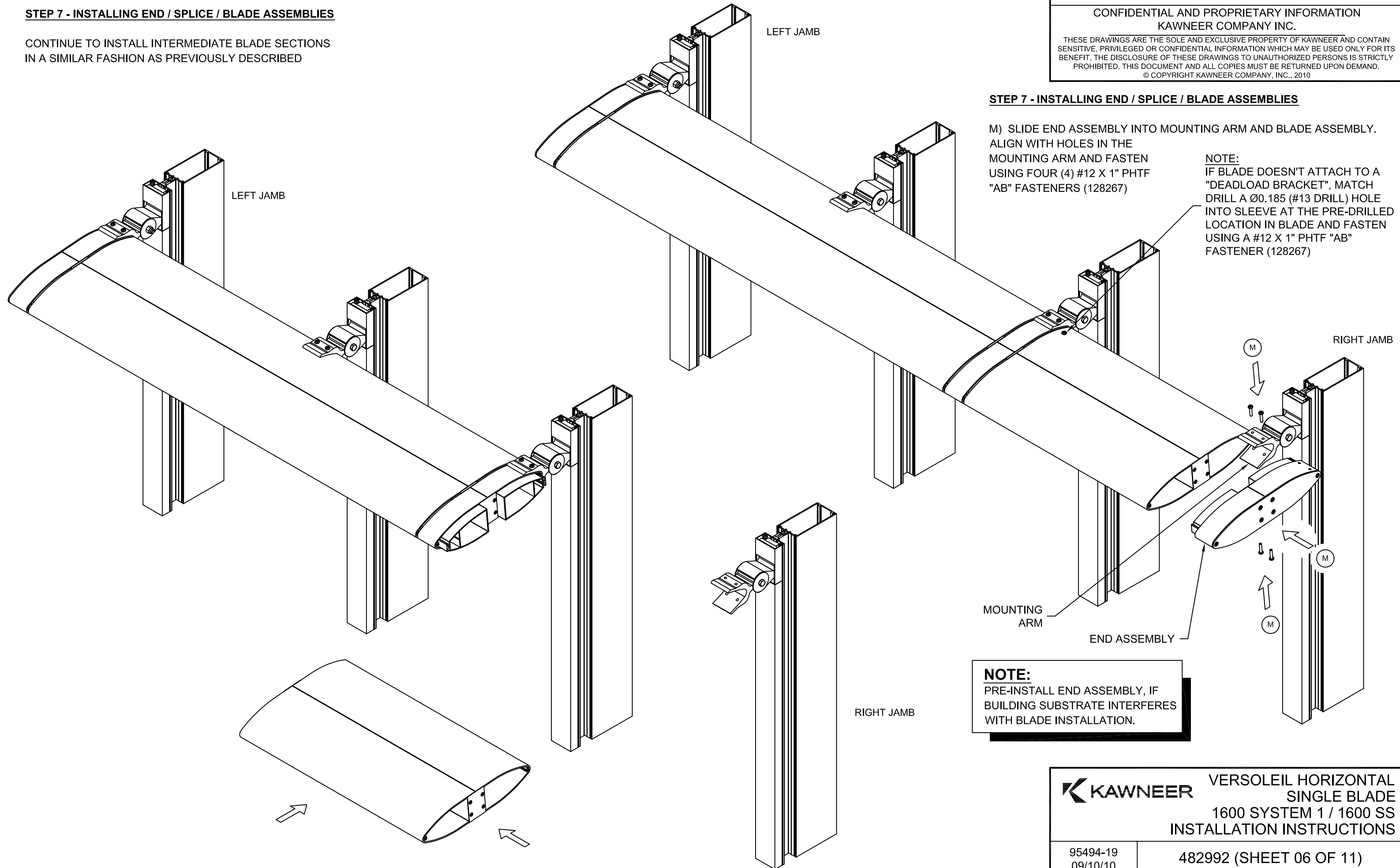
**STEP 7 - INSTALLING END / SPLICE / BLADE ASSEMBLIES**

CONTINUE TO INSTALL INTERMEDIATE BLADE SECTIONS IN A SIMILAR FASHION AS PREVIOUSLY DESCRIBED

**STEP 7 - INSTALLING END / SPLICE / BLADE ASSEMBLIES**

M) SLIDE END ASSEMBLY INTO MOUNTING ARM AND BLADE ASSEMBLY. ALIGN WITH HOLES IN THE MOUNTING ARM AND FASTEN USING FOUR (4) #12 X 1" PHTF "AB" FASTENERS (128267)

**NOTE:**  
IF BLADE DOESN'T ATTACH TO A "DEADLOAD BRACKET", MATCH DRILL A Ø0.185 (#13 DRILL) HOLE INTO SLEEVE AT THE PRE-DRILLED LOCATION IN BLADE AND FASTEN USING A #12 X 1" PHTF "AB" FASTENER (128267)



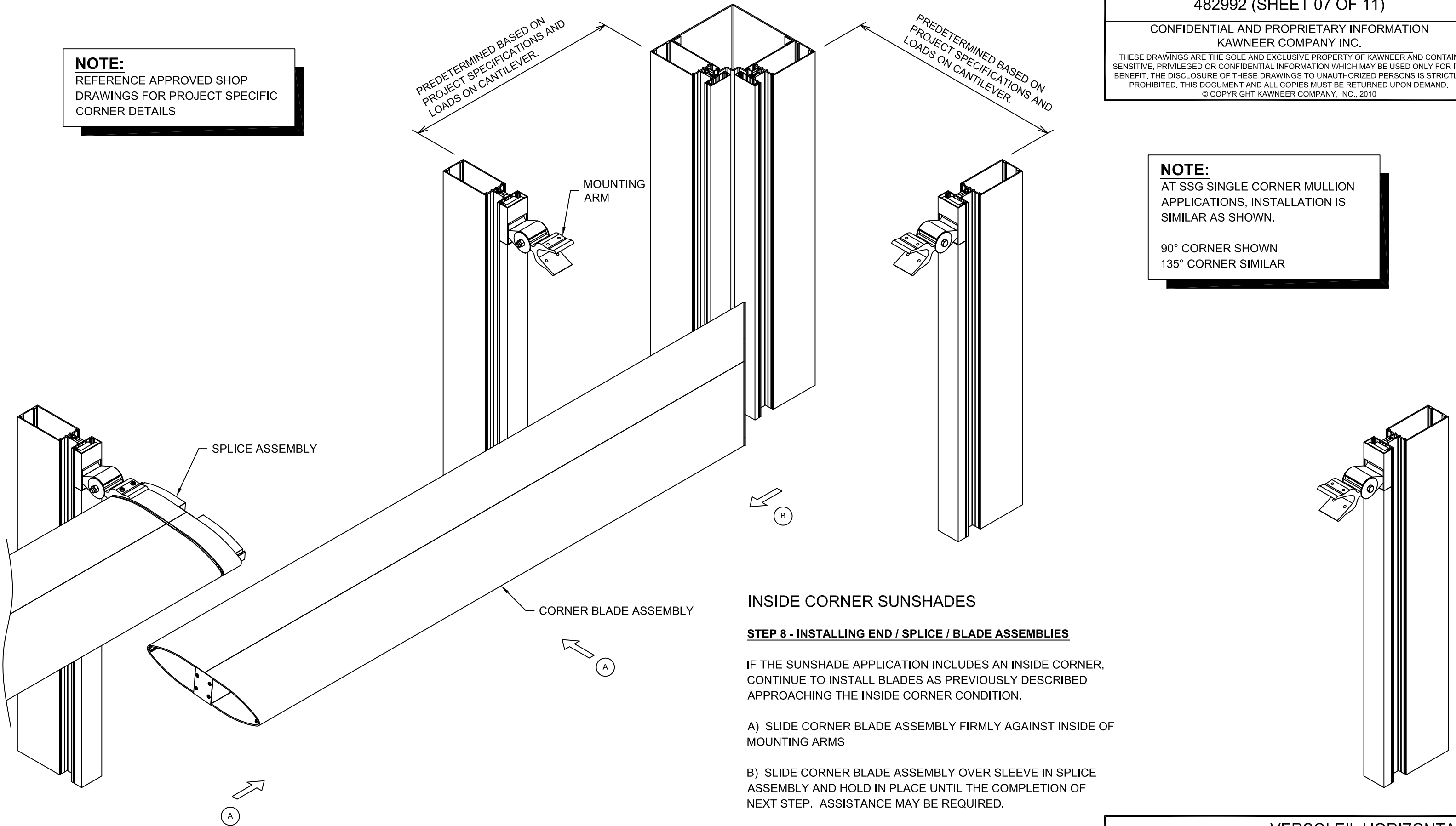
**NOTE:**  
PRE-INSTALL END ASSEMBLY, IF BUILDING SUBSTRATE INTERFERES WITH BLADE INSTALLATION.

**KAWNEER** VERSOLEIL HORIZONTAL SINGLE BLADE  
1600 SYSTEM 1 / 1600 SS  
INSTALLATION INSTRUCTIONS

**NOTE:**  
REFERENCE APPROVED SHOP DRAWINGS FOR PROJECT SPECIFIC CORNER DETAILS

**NOTE:**  
AT SSG SINGLE CORNER MULLION APPLICATIONS, INSTALLATION IS SIMILAR AS SHOWN.

90° CORNER SHOWN  
135° CORNER SIMILAR



**INSIDE CORNER SUNSHADES**

**STEP 8 - INSTALLING END / SPLICE / BLADE ASSEMBLIES**

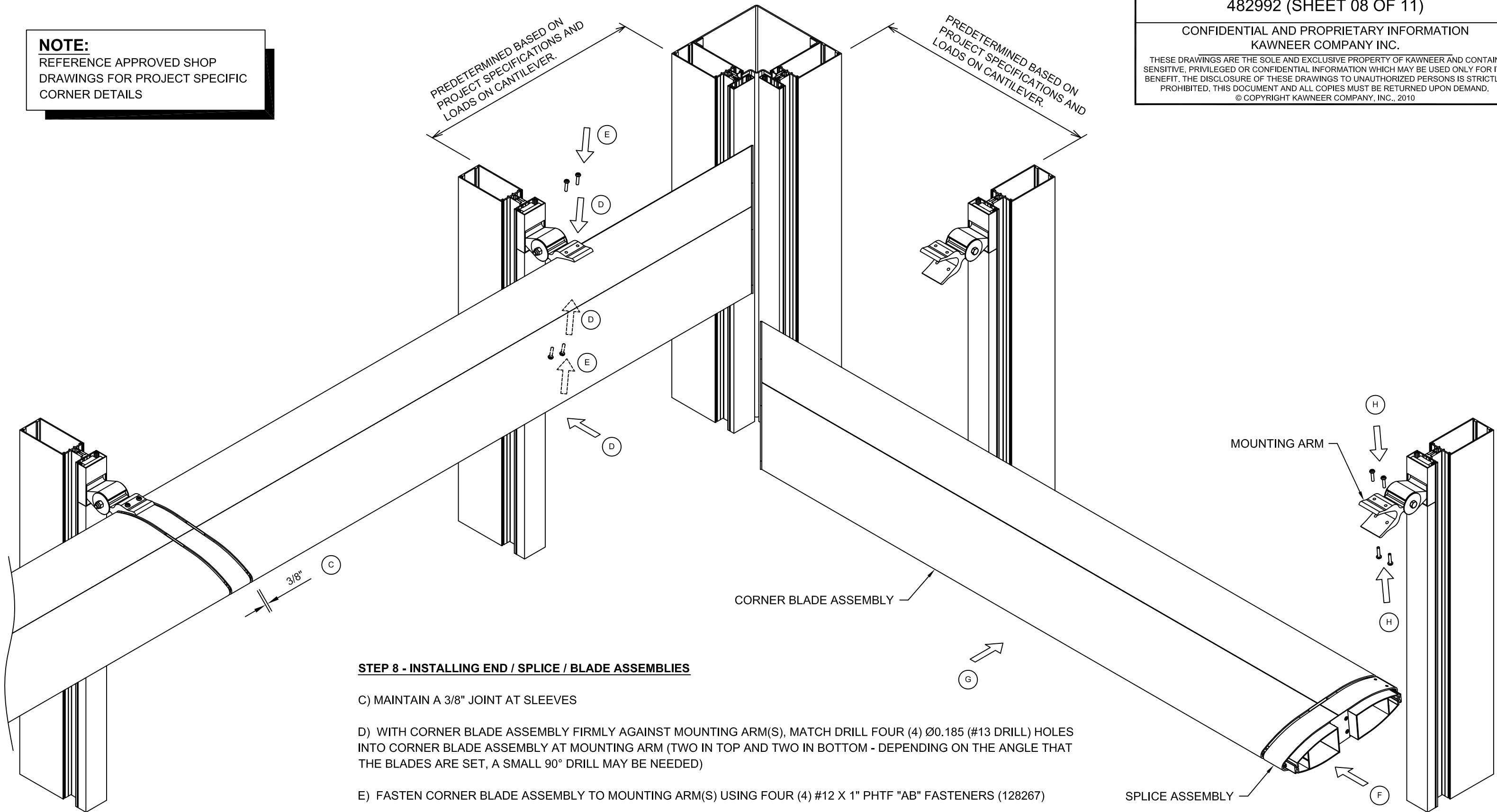
IF THE SUNSHADE APPLICATION INCLUDES AN INSIDE CORNER, CONTINUE TO INSTALL BLADES AS PREVIOUSLY DESCRIBED APPROACHING THE INSIDE CORNER CONDITION.

A) SLIDE CORNER BLADE ASSEMBLY FIRMLY AGAINST INSIDE OF MOUNTING ARMS

B) SLIDE CORNER BLADE ASSEMBLY OVER SLEEVE IN SPLICE ASSEMBLY AND HOLD IN PLACE UNTIL THE COMPLETION OF NEXT STEP. ASSISTANCE MAY BE REQUIRED.

**NOTE:**

REFERENCE APPROVED SHOP DRAWINGS FOR PROJECT SPECIFIC CORNER DETAILS



**STEP 8 - INSTALLING END / SPLICE / BLADE ASSEMBLIES**

C) MAINTAIN A 3/8" JOINT AT SLEEVES

D) WITH CORNER BLADE ASSEMBLY FIRMLY AGAINST MOUNTING ARM(S), MATCH DRILL FOUR (4) Ø0.185 (#13 DRILL) HOLES INTO CORNER BLADE ASSEMBLY AT MOUNTING ARM (TWO IN TOP AND TWO IN BOTTOM - DEPENDING ON THE ANGLE THAT THE BLADES ARE SET, A SMALL 90° DRILL MAY BE NEEDED)

E) FASTEN CORNER BLADE ASSEMBLY TO MOUNTING ARM(S) USING FOUR (4) #12 X 1" PHTF "AB" FASTENERS (128267)

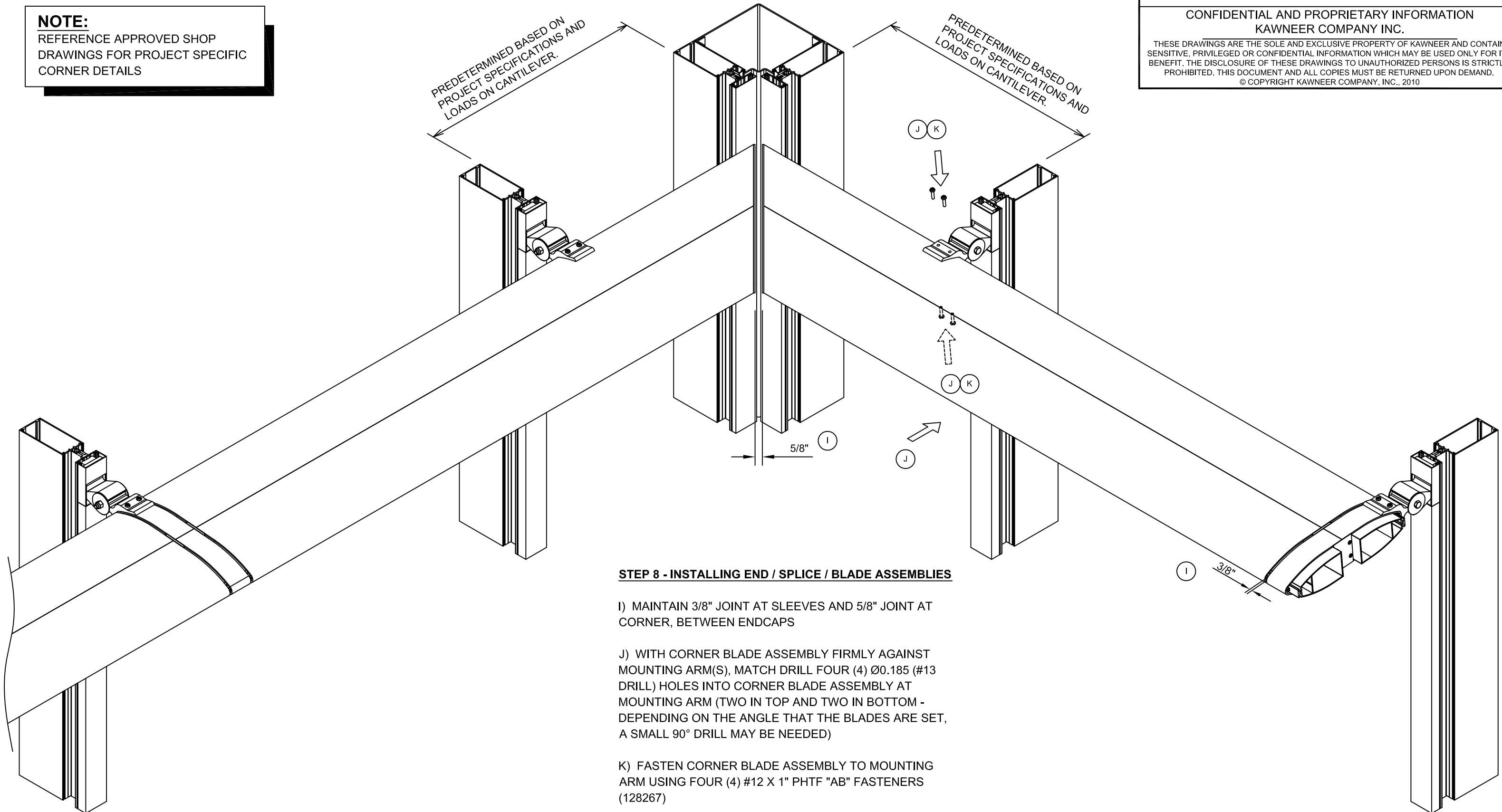
F) PRE-INSTALL SPLICE ASSEMBLY INTO CORNER BLADE ASSEMBLY, AS SHOWN

G) SLIDE ASSEMBLY INTO THE MOUNTING ARM(S), ALIGNING HOLES IN THE SPLICE ASSEMBLY WITH THE HOLES IN THE MOUNTING ARM - ASSISTANCE MAY BE REQUIRED

H) FASTEN SPLICE ASSEMBLY TO MOUNTING ARM USING FOUR (4) #12 X 1" PHTF "AB" FASTENERS (128267)



**NOTE:**  
REFERENCE APPROVED SHOP DRAWINGS FOR PROJECT SPECIFIC CORNER DETAILS



**STEP 8 - INSTALLING END / SPLICE / BLADE ASSEMBLIES**

I) MAINTAIN 3/8" JOINT AT SLEEVES AND 5/8" JOINT AT CORNER, BETWEEN ENDCAPS

J) WITH CORNER BLADE ASSEMBLY FIRMLY AGAINST MOUNTING ARM(S), MATCH DRILL FOUR (4) Ø0.185 (#13 DRILL) HOLES INTO CORNER BLADE ASSEMBLY AT MOUNTING ARM (TWO IN TOP AND TWO IN BOTTOM - DEPENDING ON THE ANGLE THAT THE BLADES ARE SET, A SMALL 90° DRILL MAY BE NEEDED)

K) FASTEN CORNER BLADE ASSEMBLY TO MOUNTING ARM USING FOUR (4) #12 X 1" PHTF "AB" FASTENERS (128267)

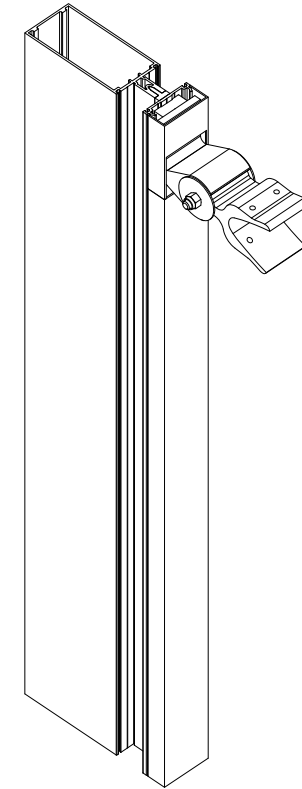
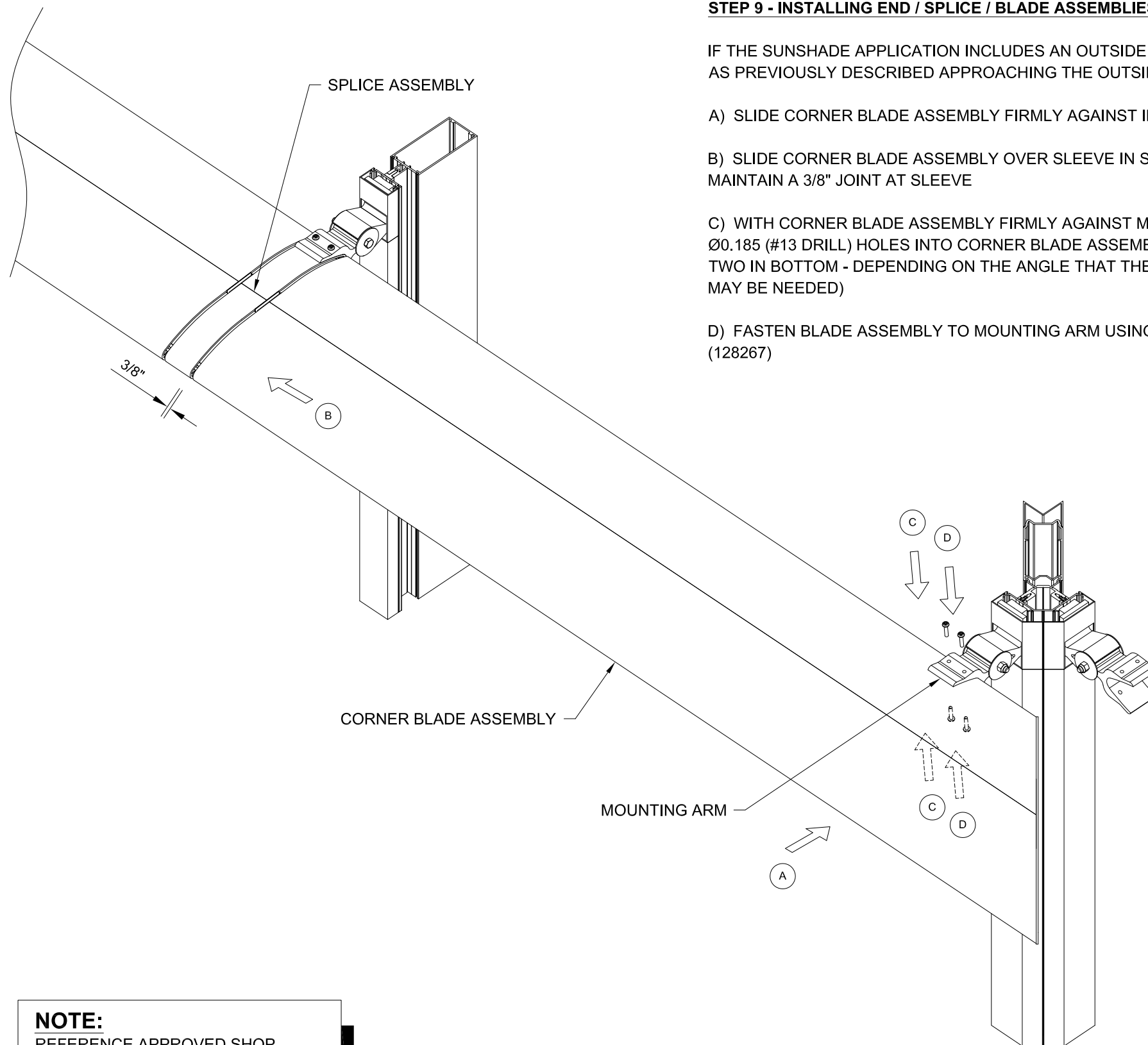
L) CONTINUE TO INSTALL SUNSHADE AS DESCRIBED IN PREVIOUS STEPS

OUTSIDE CORNER SUNSHADES

**STEP 9 - INSTALLING END / SPLICE / BLADE ASSEMBLIES**

IF THE SUNSHADE APPLICATION INCLUDES AN OUTSIDE CORNER, CONTINUE TO INSTALL BLADES AS PREVIOUSLY DESCRIBED APPROACHING THE OUTSIDE CORNER CONDITION.

- A) SLIDE CORNER BLADE ASSEMBLY FIRMLY AGAINST INSIDE OF MOUNTING ARM
- B) SLIDE CORNER BLADE ASSEMBLY OVER SLEEVE IN SPLICE ASSEMBLY, MAKING SURE TO MAINTAIN A 3/8" JOINT AT SLEEVE
- C) WITH CORNER BLADE ASSEMBLY FIRMLY AGAINST MOUNTING ARM(S), MATCH DRILL FOUR (4) Ø0.185 (#13 DRILL) HOLES INTO CORNER BLADE ASSEMBLY AT MOUNTING ARM (TWO IN TOP AND TWO IN BOTTOM - DEPENDING ON THE ANGLE THAT THE BLADES ARE SET, A SMALL 90° DRILL MAY BE NEEDED)
- D) FASTEN BLADE ASSEMBLY TO MOUNTING ARM USING FOUR (4) #12 X 1" PHTF "AB" FASTENERS (128267)



**NOTE:**  
AT SSG SINGLE CORNER MULLION APPLICATIONS, REFERENCE SIMILAR INSTALLATION AS INSIDE CORNER APPLICATION. LAST MOUNTING BRACKET IS LOCATED AT LAST INTERMEDIATE MULLION TO CORNER.  
  
90° CORNER SHOWN  
135° CORNER SIMILAR

**NOTE:**  
REFERENCE APPROVED SHOP DRAWINGS FOR PROJECT SPECIFIC CORNER DETAILS

**NOTE:**  
REFERENCE APPROVED SHOP DRAWINGS FOR PROJECT SPECIFIC CORNER DETAILS

**STEP 9 - INSTALLING END / SPLICE / BLADE ASSEMBLIES**

E) PRE-INSTALL SPLICE ASSEMBLY INTO CORNER BLADE ASSEMBLY, AS SHOWN

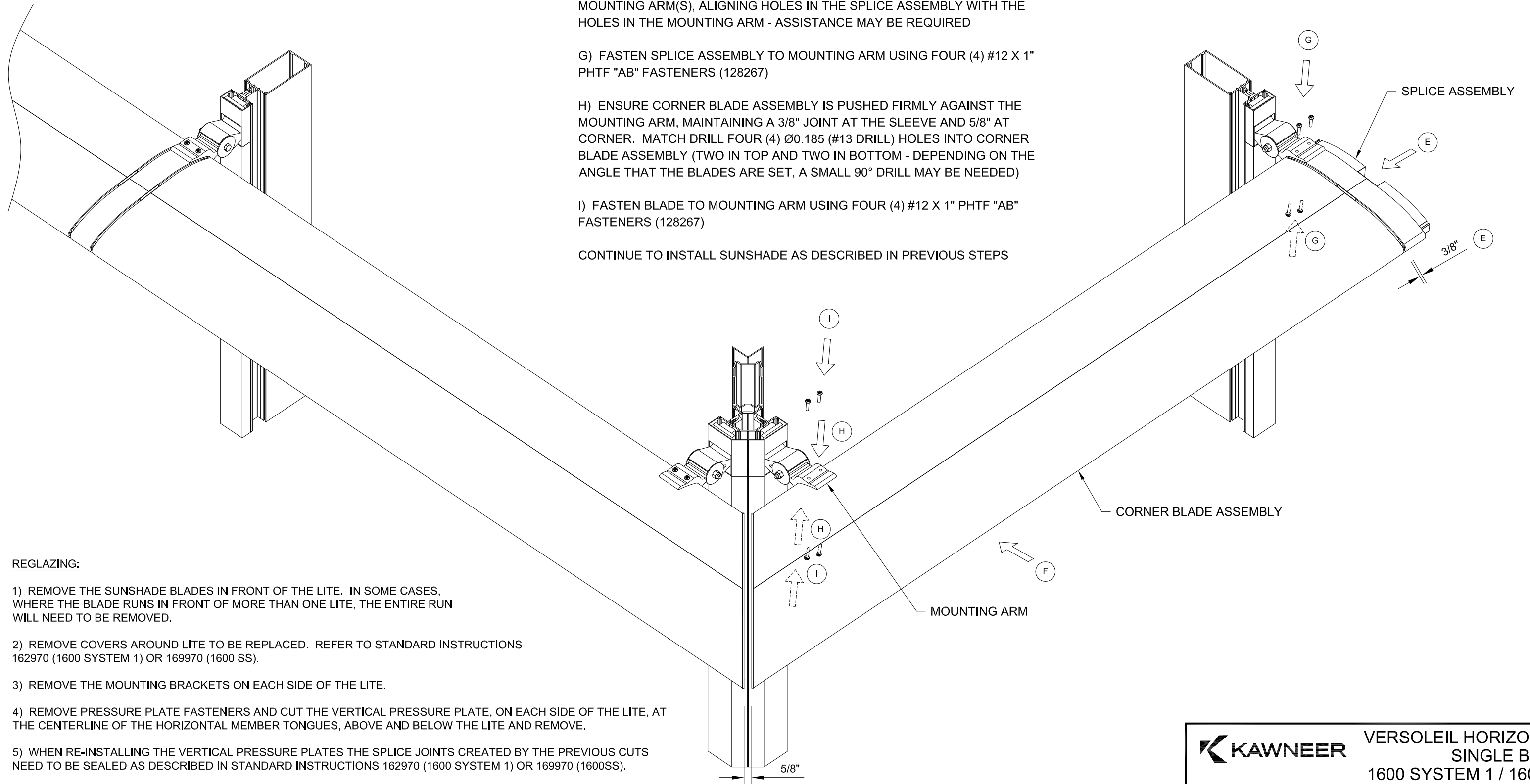
F) SLIDE SPLICE ASSEMBLY AND CORNER BLADE ASSEMBLY INTO MOUNTING ARM(S), ALIGNING HOLES IN THE SPLICE ASSEMBLY WITH THE HOLES IN THE MOUNTING ARM - ASSISTANCE MAY BE REQUIRED

G) FASTEN SPLICE ASSEMBLY TO MOUNTING ARM USING FOUR (4) #12 X 1" PHTF "AB" FASTENERS (128267)

H) ENSURE CORNER BLADE ASSEMBLY IS PUSHED FIRMLY AGAINST THE MOUNTING ARM, MAINTAINING A 3/8" JOINT AT THE SLEEVE AND 5/8" AT CORNER. MATCH DRILL FOUR (4) Ø0.185 (#13 DRILL) HOLES INTO CORNER BLADE ASSEMBLY (TWO IN TOP AND TWO IN BOTTOM - DEPENDING ON THE ANGLE THAT THE BLADES ARE SET, A SMALL 90° DRILL MAY BE NEEDED)

I) FASTEN BLADE TO MOUNTING ARM USING FOUR (4) #12 X 1" PHTF "AB" FASTENERS (128267)

CONTINUE TO INSTALL SUNSHADE AS DESCRIBED IN PREVIOUS STEPS



**REGLAZING:**

- 1) REMOVE THE SUNSHADE BLADES IN FRONT OF THE LITE. IN SOME CASES, WHERE THE BLADE RUNS IN FRONT OF MORE THAN ONE LITE, THE ENTIRE RUN WILL NEED TO BE REMOVED.
- 2) REMOVE COVERS AROUND LITE TO BE REPLACED. REFER TO STANDARD INSTRUCTIONS 162970 (1600 SYSTEM 1) OR 169970 (1600 SS).
- 3) REMOVE THE MOUNTING BRACKETS ON EACH SIDE OF THE LITE.
- 4) REMOVE PRESSURE PLATE FASTENERS AND CUT THE VERTICAL PRESSURE PLATE, ON EACH SIDE OF THE LITE, AT THE CENTERLINE OF THE HORIZONTAL MEMBER TONGUES, ABOVE AND BELOW THE LITE AND REMOVE.
- 5) WHEN RE-INSTALLING THE VERTICAL PRESSURE PLATES THE SPLICE JOINTS CREATED BY THE PREVIOUS CUTS NEED TO BE SEALED AS DESCRIBED IN STANDARD INSTRUCTIONS 162970 (1600 SYSTEM 1) OR 169970 (1600SS).
- 6) RE-INSTALL THE MOUNTING BRACKETS AND BLADES AS PREVIOUSLY DESCRIBED.