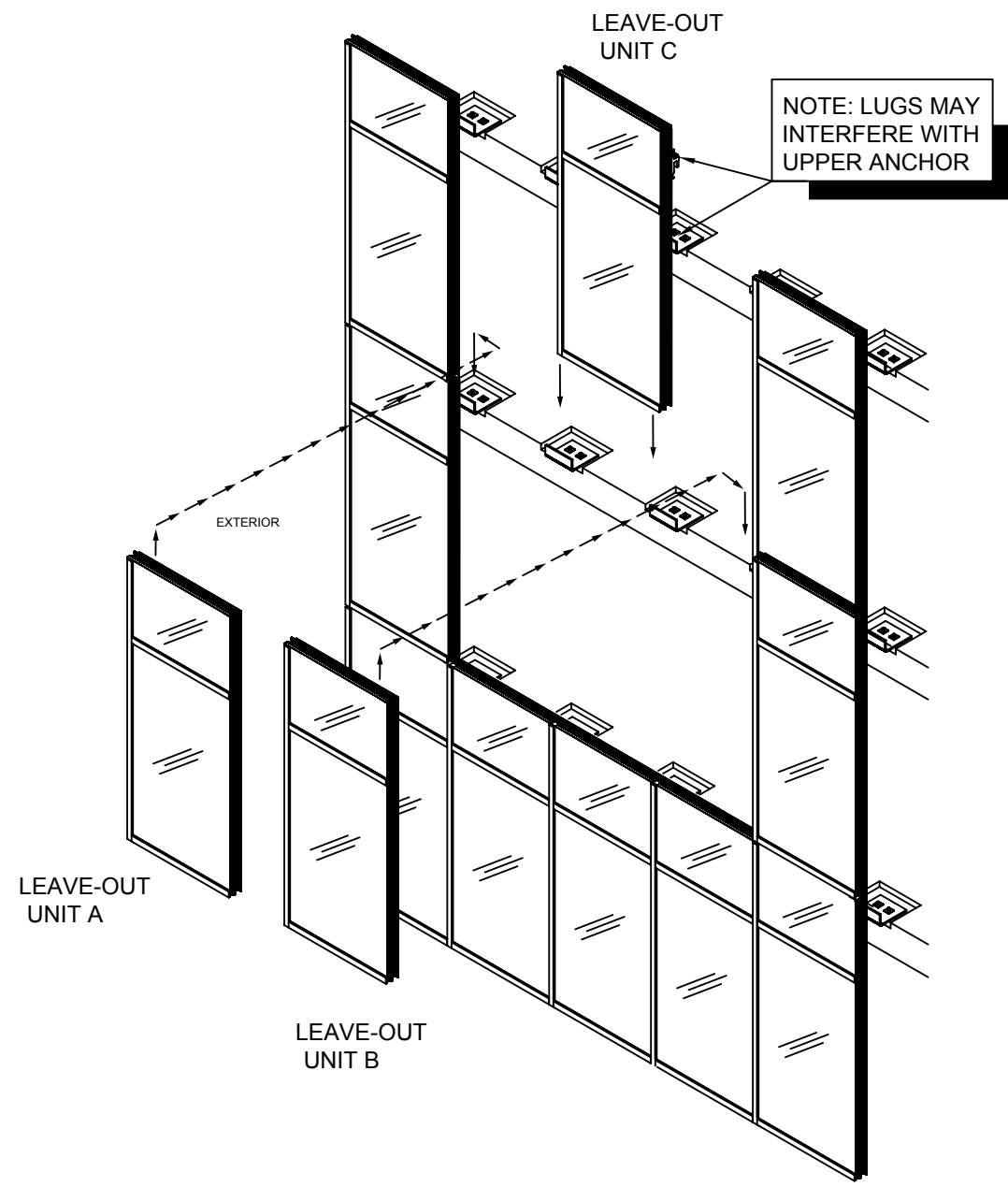
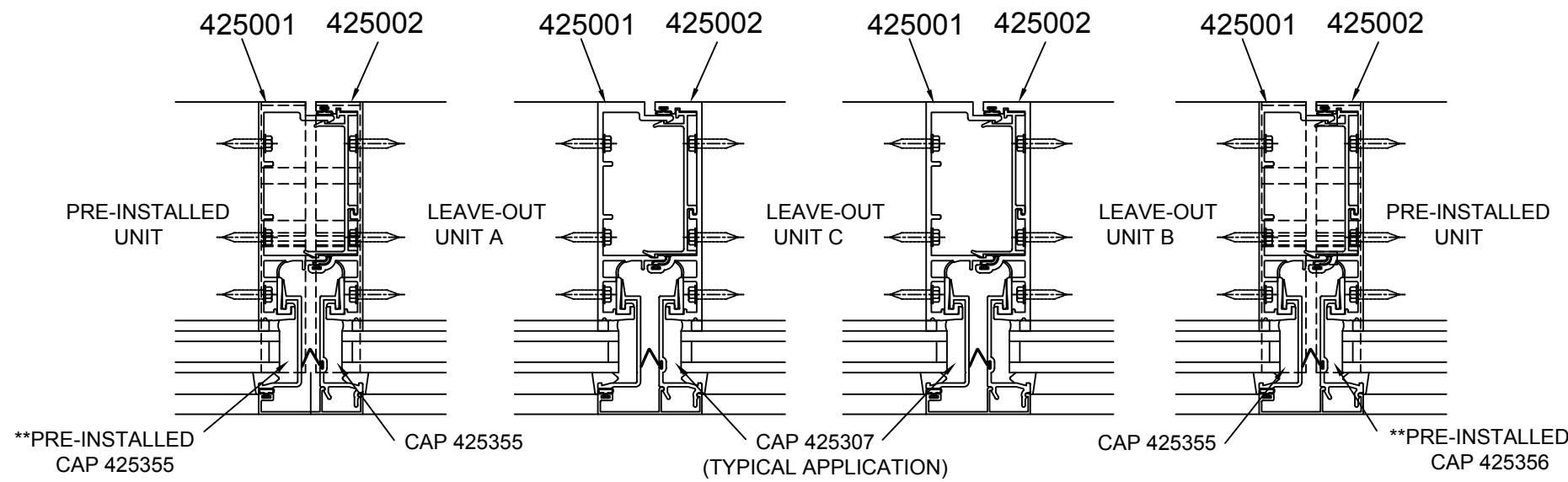


THESE DRAWINGS ARE THE SOLE AND EXCLUSIVE PROPERTY OF KAWNEER AND CONTAIN SENSITIVE, PRIVILEGED OR CONFIDENTIAL INFORMATION WHICH MAY BE USED ONLY FOR ITS BENEFIT. THE DISCLOSURE OF THESE DRAWINGS TO UNAUTHORIZED PERSONS IS STRICTLY PROHIBITED. THIS DOCUMENT AND ALL COPIES MUST BE RETURNED UPON DEMAND.
© COPYRIGHT KAWNEER COMPANY, INC., 2008

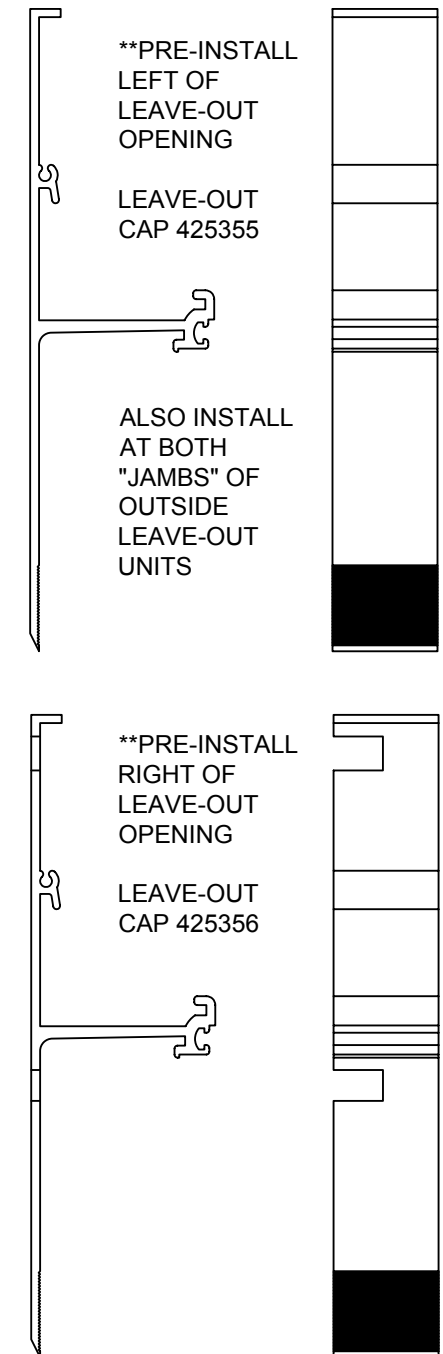


CURTAIN WALL UNIT INSTALLATION

REFERENCE STANDARD UNIT INSTALLATION INSTRUCTIONS FOR TYPICAL STEPS REQUIRED FOR LEAVE-OUT UNIT INSTALLATION. 4 SIDE CAPTURED SHOWN, ALL OTHER SYSTEM TYPES SIMILAR.

**PLEASE NOTE INSTALLATION OF LEAVE-OUT CAPS 425355 AND 425356 DURING TYPICAL UNIT INSTALLATION. CAPS ARE SEALED IN PLACE SIMILAR TO THE TYPICAL 425307 CAP APPLICATION.

- INSTALL LEAVE-OUT UNIT "A" PER TYPICAL UNIT INSTALLATION INSTRUCTIONS.
- INSTALL LEAVE-OUT UNIT "B". THE NOTCHES IN THE PRE-INSTALLED 425356 LEAVE-OUT CAP WILL ALLOW THE UNIT TO SLIDE INTO PLACE AND DROP ON TO THE ANCHORS.
- INSTALL LEAVE OUT UNIT "C". CHECK THAT VERTICAL GASKETS ARE CRIMPED WELL IN PLACE PRIOR TO UNIT INSTALLATION. THIS UNIT DROPS STRAIGHT DOWN BETWEEN UNIT "A" AND "B". TO PREVENT INTERFERENCE WITH THE ANCHOR ON THE FLOOR ABOVE, THE TYPICAL ANCHOR LUGS MUST BE REMOVED BEFORE UNIT INSTALLATION. ALIGN MULLION HALVES AND SLIDE UNIT DOWN. SPECIAL ATTENTION SHOULD BE PAID TO THE ALIGNMENT OF THE ANTI-BUCKLING CLIPS AS UNIT IS LOWERED. AFTER THE UNIT IS LOWERED BEYOND THE UPPER FLOOR, INSTALL THE ANCHOR LUGS TO THE UNIT. SLIDE THE UNIT DOWN ONTO ANCHORS.
- REFERENCE STANDARD UNIT INSTALLATION INSTRUCTIONS FOR TYPICAL STEPS REQUIRED FOR LEAVE-OUT UNIT INSTALLATION. APPLY LEAVE-OUT CAPS 425355 AT TOP OF MULLIONS AT "JAMBS" ON OUTSIDE UNITS. SEAL AN TOOL BETWEEN CAPS FROM FRONT TO BACK. APPLY 425307 CAPS AT TWO INTERMEDIATE LOCATIONS.
- SLIDE REINFORCEMENT ANGLES INTO PLACE. APPLY SILICONE SHEETS TO JOINTS WITH SEALANT AND SEAL JOINT PER TYPICAL INSTALLATION INSTRUCTIONS. AT "JAMBS" ON OUTSIDE UNITS, TOOL SEALANT IN PLACE WITH A SMALL SPATULA. SLIDE SILICONE SLEEVE INTO PLACE UNDER UNIT ALREADY INSTALLED. REFERENCE TYPICAL INSTALLATION INSTRUCTIONS FOR ADDITIONAL INFORMATION.
- PUSH-IN 127063 STACK AIR SEAL GASKET INTO UNIT HEAD HORIZONTAL CONTINUOUS ACROSS ALL THREE UNITS. GASKET TO BE CUT LONG, 1/4" PER FOOT, FOR SOME "CROWD-IN". GASKET SHOULD NEVER BE "STRETCHED TO FIT". APPLY SEALANT AT THE ENDS AND BUTT TO PRE-INSTALLED 127063 GASKET.



2500 PG WALL

Product Engineering & Development

LEAVE-OUT BAY INSTRUCTIONS

95500-010
06/21/13

425983 (SHT 01 OF 01)