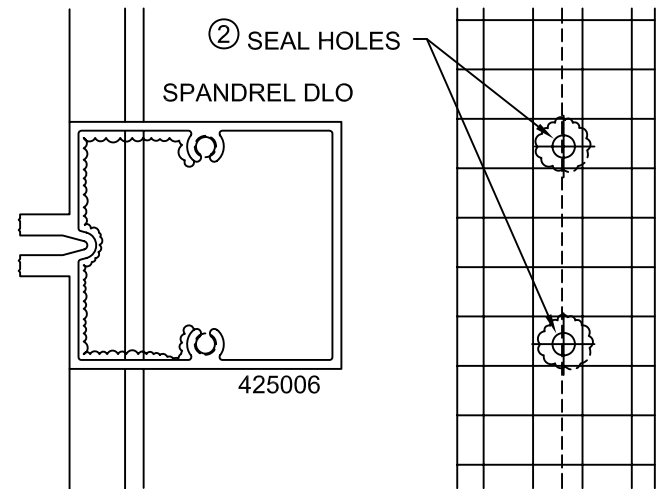


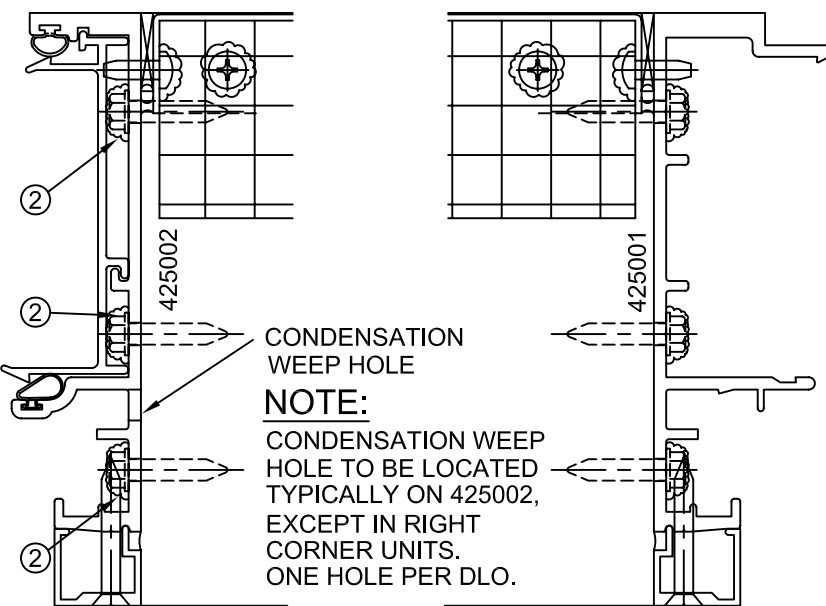
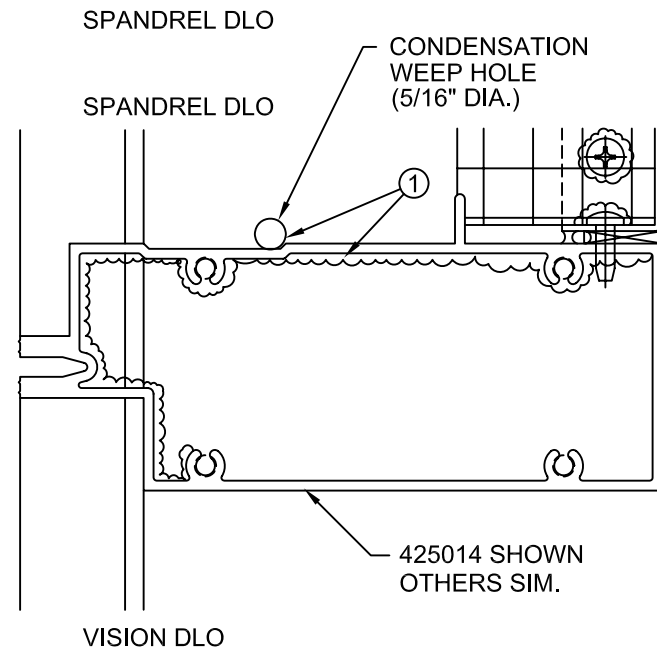
THESE DRAWINGS ARE THE SOLE AND EXCLUSIVE PROPERTY OF KAWNEER AND CONTAIN SENSITIVE, PRIVILEGED OR CONFIDENTIAL INFORMATION WHICH MAY BE USED ONLY FOR ITS BENEFIT. THE DISCLOSURE OF THESE DRAWINGS TO UNAUTHORIZED PERSONS IS STRICTLY PROHIBITED. THIS DOCUMENT AND ALL COPIES MUST BE RETURNED UPON DEMAND.
© COPYRIGHT KAWNEER COMPANY, INC., 2003

**CAPTURED HORIZONTAL
CONDENSATION WEEP HOLE**

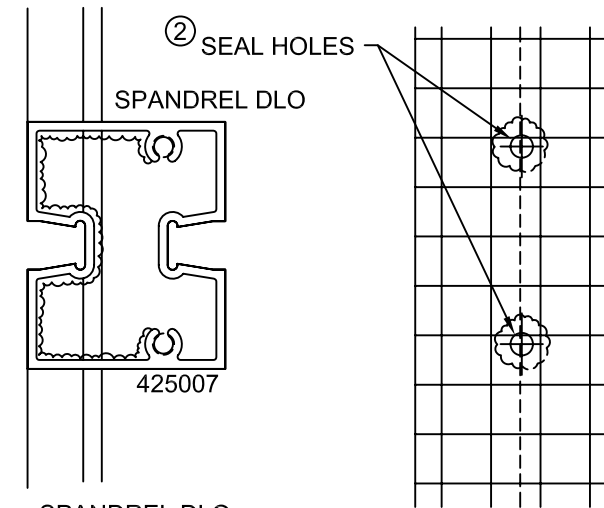


① CLEAN, PRIME, AND BUTTER BOTH ENDS OF HORIZONTALS WITH SEALANT PER APPROVED SHOP DRAWINGS. COMPLETELY SEAL ENDS OF HORIZONTAL ALONG THE TOP SIDE AND ALONG FACE, AT DLO WHERE WEEP HOLE OCCURS. CONDENSATION WEEP TO BE FREE FROM OBSTRUCTION. NOTE: CONDENSATION WEEP HOLES ARE LOCATED AT HORIZONTALS AT THE THE BOTTOM OF BACK PANS ONLY. ONE PER DLO REQUIRED.

② SEAL HEADS OF HORIZONTAL ATTACHMENT FASTENERS AND EXTRA HOLE PREPS AT WEEP HOLES ARE FREE FROM SEALANT SHALLOW HORIZONTALS.

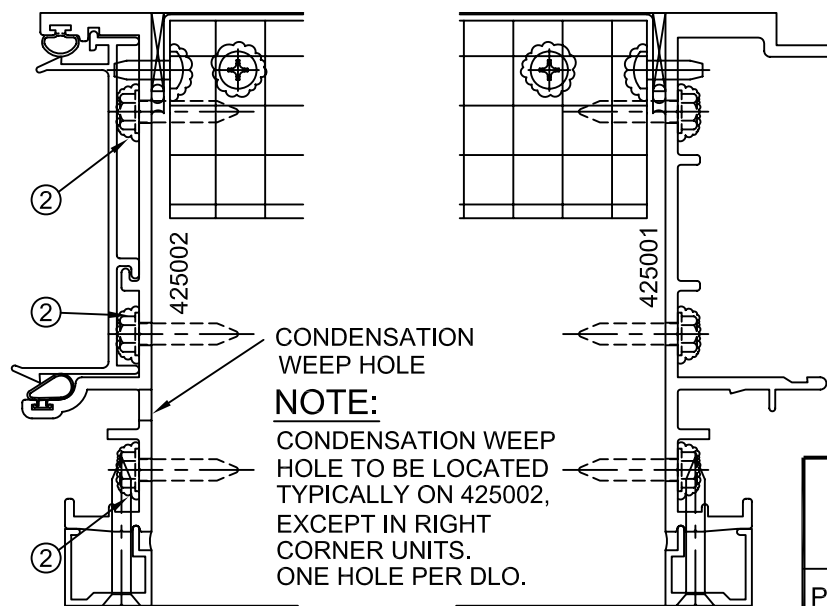
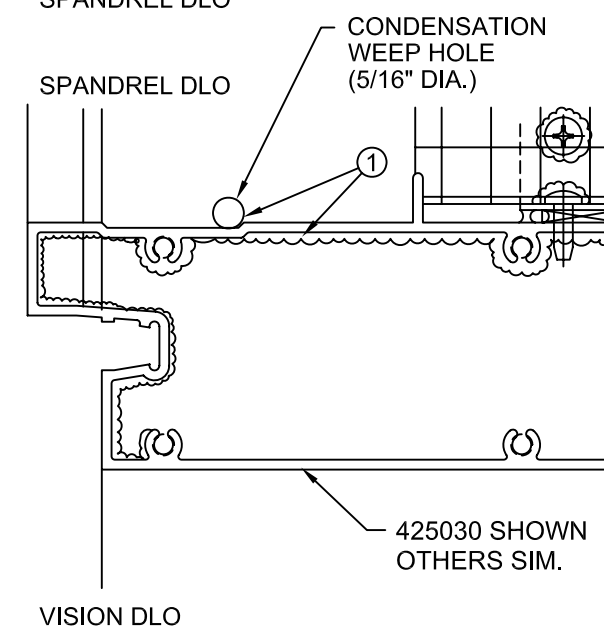


**SSG HORIZONTAL
CONDENSATION WEEP HOLE**



① CLEAN, PRIME, AND BUTTER BOTH ENDS OF HORIZONTALS WITH SEALANT PER APPROVED SHOP DRAWINGS. COMPLETELY SEAL ENDS OF HORIZONTAL ALONG THE TOP SIDE AND ALONG FACE, AT DLO WHERE WEEP HOLE OCCURS. CONDENSATION WEEP TO BE FREE FROM OBSTRUCTION. NOTE: CONDENSATION WEEP HOLES ARE LOCATED AT HORIZONTALS AT THE THE BOTTOM OF BACK PANS ONLY. ONE PER DLO REQUIRED.

② SEAL HEADS OF HORIZONTAL ATTACHMENT FASTENERS AND EXTRA HOLE PREPS AT WEEP HOLES ARE FREE FROM SEALANT SHALLOW HORIZONTALS.



Product Engineering & Development

95500-03
01/26/07

2500 PG WALL
CONDENSATION
WEEP HOLE
INSTRUCTIONS