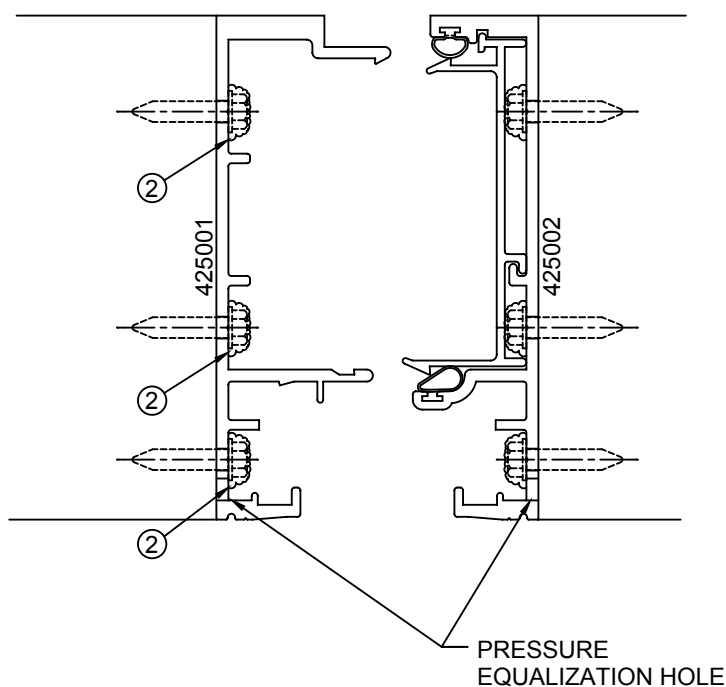
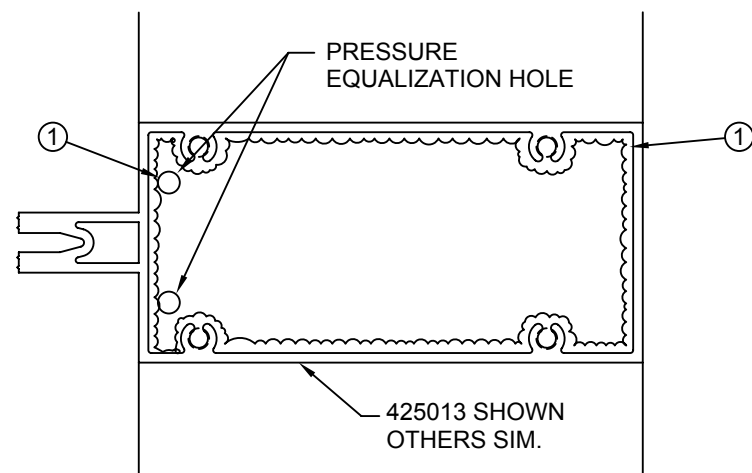


**CAPTURED HORIZONTAL
PRESSURE EQUALIZATION HOLES**

- 1 CLEAN, PRIME, AND BUTTER BOTH ENDS OF HORIZONTALS WITH SEALANT PER APPROVED SHOP DRAWINGS. COMPLETELY SEAL END OF HORIZONTAL, PER DETAIL BELOW, MAKING SURE TO LEAVE PRESSURE EQUALIZATION HOLES FREE FROM OBSTRUCTION.

NOTE: PRESSURE EQUALIZATION HOLES ARE ONLY LOCATED AT INTERMEDIATE HORIZONTALS.

- 2 SEAL HEADS OF HORIZONTAL ATTACHMENT FASTENERS, MAKING SURE THAT PRESSURE EQUALIZATION HOLES ARE FREE FROM SEALANT OBSTRUCTION.

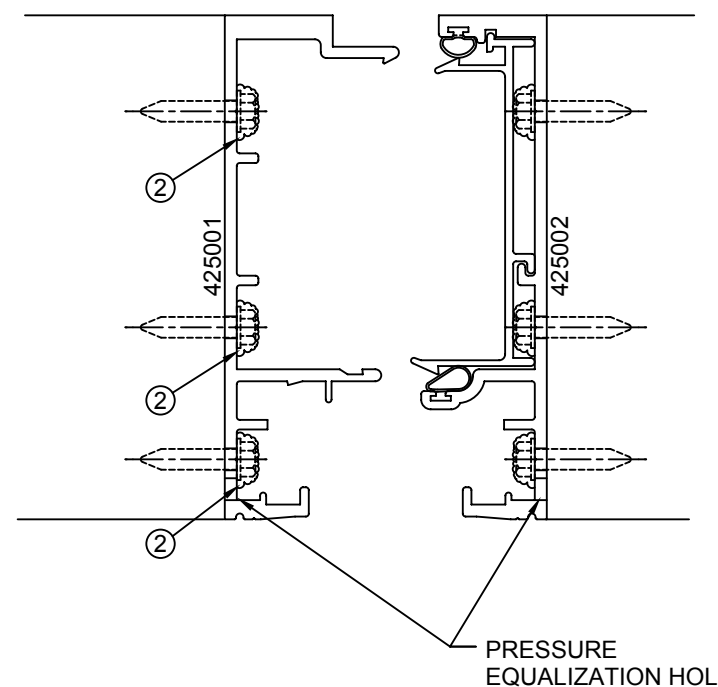
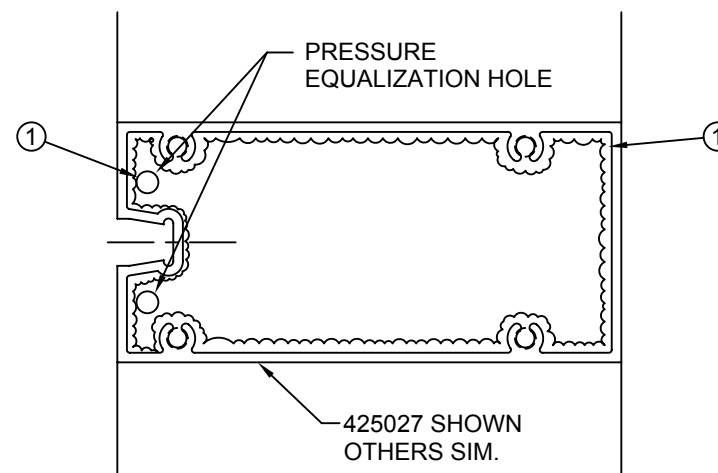


**SSG HORIZONTAL
PRESSURE EQUALIZATION HOLES**

- 1 CLEAN, PRIME, AND BUTTER BOTH ENDS OF HORIZONTALS WITH SEALANT PER APPROVED SHOP DRAWINGS. COMPLETELY SEAL END OF HORIZONTAL, PER DETAIL BELOW, MAKING SURE TO LEAVE PRESSURE EQUALIZATION HOLES FREE FROM OBSTRUCTION.

NOTE: PRESSURE EQUALIZATION HOLES ARE ONLY LOCATED AT INTERMEDIATE HORIZONTALS.

- 2 SEAL HEADS OF HORIZONTAL ATTACHMENT FASTENERS, MAKING SURE THAT PRESSURE EQUALIZATION HOLES ARE FREE FROM SEALANT OBSTRUCTION.



Product Engineering & Development

95500-06
04/11/08

2500 PG WALL
PRESSURE
EQUALIZATION
INSTRUCTIONS