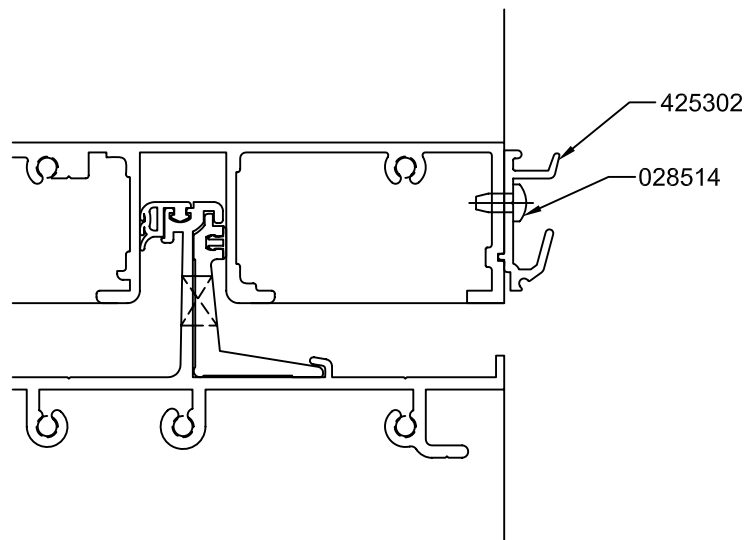
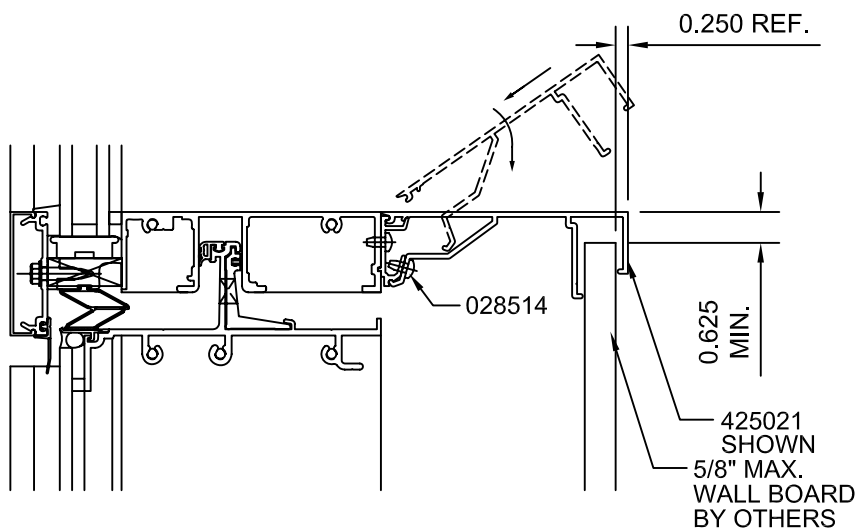


EXPANSION HORIZONTAL STOOL TRIM

- INSTALL 425302 TRIM CLIPS, 12" FROM EACH END AND (1) AT THE CENTERLINE OF DLO. ENGAGE CLIP NUB IN SLOT AT BACK OF HORIZONTAL. FOR PROPER CLIP LOCATION, PUSH CLIP UP AND MATCH DRILL .159" DIA. (#21 DRILL) HOLES IN BACK OF HORIZONTAL AND ATTACH EACH CLIP WITH (2) 028514 #10 x 3/8" B PHTF FASTENERS.

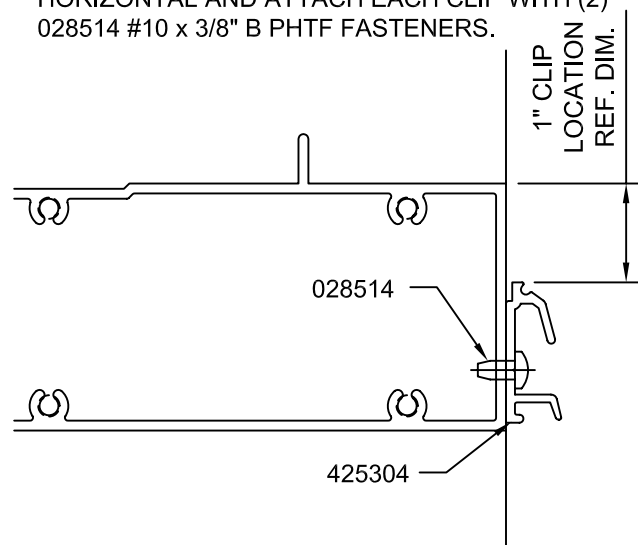


- ROTATE AND SNAP INTERIOR TRIM INTO PLACE. IF ADDITIONAL SUPPORT IS REQUIRED, LOCATE AND DRILL .201" DIA. (#7 DRILL) CLEAR HOLES IN TRIM AT CLIP LOCATIONS. MATCH DRILL .154" DIA. (#23 DRILL) TAPPING HOLES IN CLIP AND FASTEN WITH 028514 #10 x 3/8" B PHTF FASTENERS.

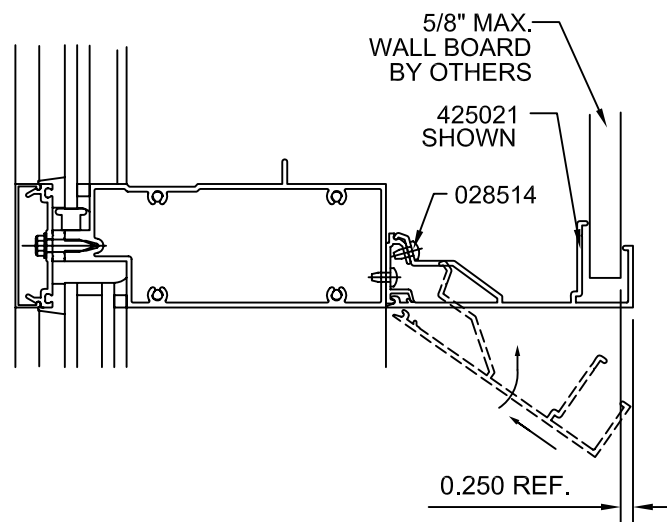


INTERMEDIATE HORIZONTAL CEILING TRIM

- INSTALL 425304 TRIM CLIPS, 12" FROM EACH END AND (1) AT THE CENTERLINE OF DLO. LOCATE CLIP 1" DOWN FROM TOP OF HORIZONTAL AS SHOWN BELOW. MATCH DRILL .154" DIA. (#23 DRILL) TAPPING HOLES IN BACK OF HORIZONTAL AND ATTACH EACH CLIP WITH (2) 028514 #10 x 3/8" B PHTF FASTENERS.

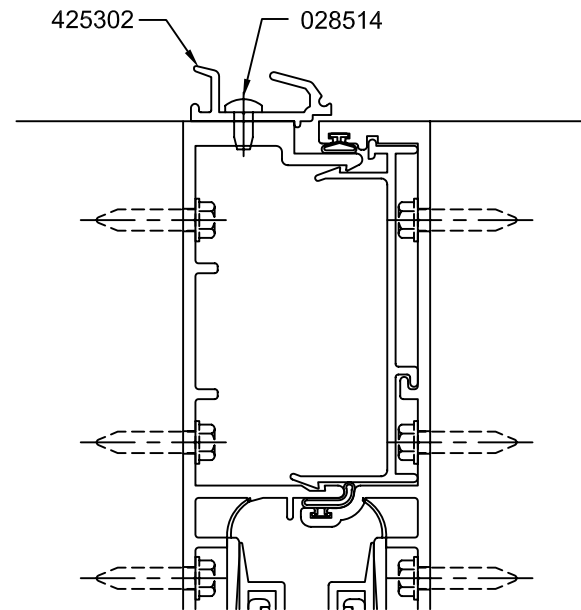


- ROTATE AND SNAP INTERIOR TRIM INTO PLACE. IF ADDITIONAL SUPPORT IS REQUIRED, LOCATE AND DRILL .201" DIA. (#7 DRILL) CLEAR HOLES IN TRIM AT CLIP LOCATIONS. MATCH DRILL .154" DIA. (#23 DRILL) TAPPING HOLES IN CLIP AND FASTEN WITH 028514 #10 x 3/8" B PHTF FASTENERS.



VERTICAL INTERIOR TRIM

- INSTALL 425302 TRIM CLIPS @ 24" ON CENTER. LOCATE 425302 CLIP NUB IN VERTICAL REVEAL AS SHOWN BELOW. MATCH DRILL .166" DIA. (#19 DRILL) TAPPING HOLES IN VERTICAL AND ATTACH EACH CLIP WITH (2) 028514 #10 x 3/8" B PHTF FASTENERS.



- LOCATE AND DRILL (1) .201" DIA. (#7 DRILL) CLEAR HOLE IN TRIM AT CENTER CLIP LOCATION. ROTATE AND SNAP INTERIOR TRIM INTO PLACE. MATCH DRILL .154" DIA. (#23 DRILL) TAPPING HOLE IN CLIP AND FASTEN WITH (1) 028514 #10 x 3/8" B PHTF FASTENER.

