

SPECIAL INSTRUCTIONS

NOTE:

THIS INSTALLATION INSTRUCTION SHEET IS A SUPPLEMENT TO THE APPROVED SHOP DRAWINGS AND ANY OTHER INSTALLATION INSTRUCTIONS INCLUDED WITH THESE DRAWINGS. IT IS TO BE USED IN CONJUNCTION WITH THOSE DRAWINGS.

READ THROUGH THE TOTAL PACKAGE OF INSTALLATION INSTRUCTIONS BEFORE STARTING ERECTION. TAKE NOTE OF ALL "SPECIAL INSTRUCTIONS", "GLAZING" AND "SEALING".

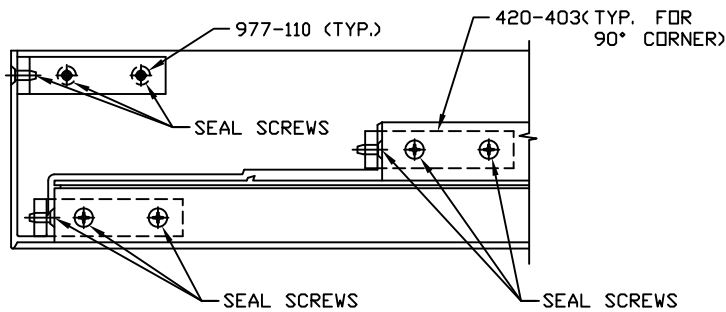
INSTALLATION INSTRUCTIONS

STEP 1

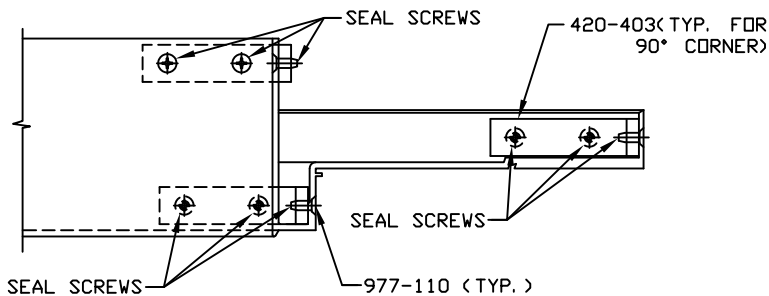
SET CORNER GUTTER:

BUTTER MITERED ENDS WITH SEALANT AND JOIN CORNER WITH CLIPS AS SHOWN. SEAL UNDER CLIPS AND OVER JOINT INSIDE. SET ASSEMBLY AND ANCHORS PER JOB AS SHOWN ON APPROVED SHOP DRAWINGS. GUTTER TO BE SHOP FABRICATED. CLIPS TO BE FIELD MATCH DRILLED W/ 0.173" DIAMETER HOLES.

OUTSIDE CORNER:



INSIDE CORNER:

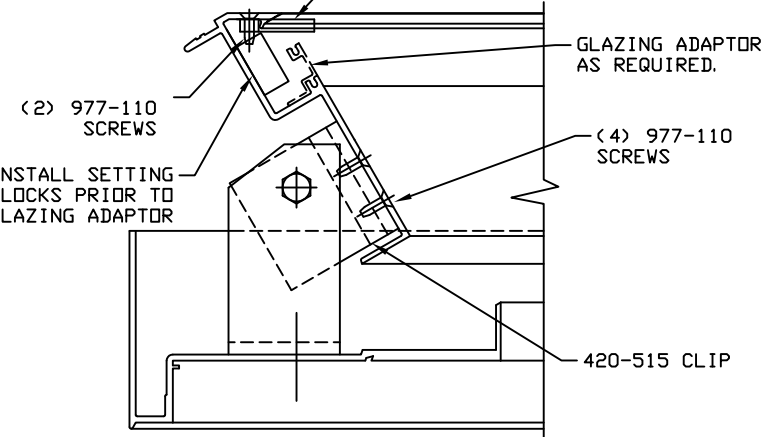


STEP 2

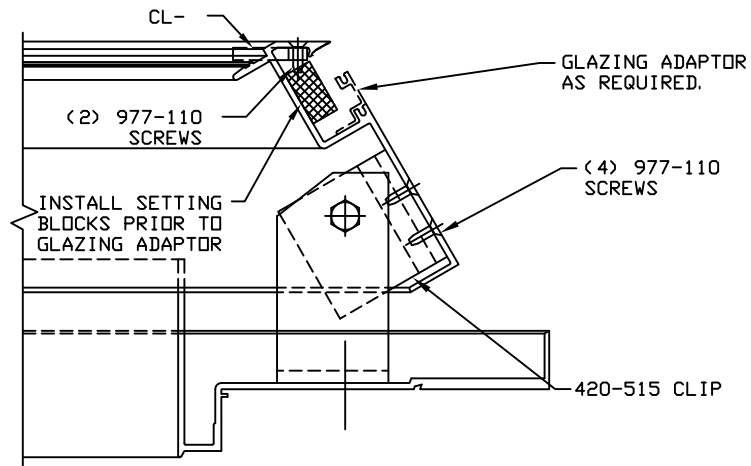
SET CORNER GUTTER:

PLACE BAFFLE CORNER HALVES ON PREINSTALLED BAFFLE CLIPS. BUTTER MITERED ENDS WITH SEALANT. JOIN MITERED SURFACES AND INSTALL CORNER BAFFLE CLIP USING (2) 977-110 SCREWS TO FORM BAFFLE CORNER ASSEMBLY. FASTEN BAFFLE ENDS TO 420-465 CLIP (420-466 @ 1 1/4" SYSTEM) W/ (4) 977-110 SCREWS. BAFFLES TO BE SHOP FABRICATED. CLIPS TO BE FIELD MATCH DRILLED W/ .173" DIA. HOLES.

OUTSIDE CORNER:



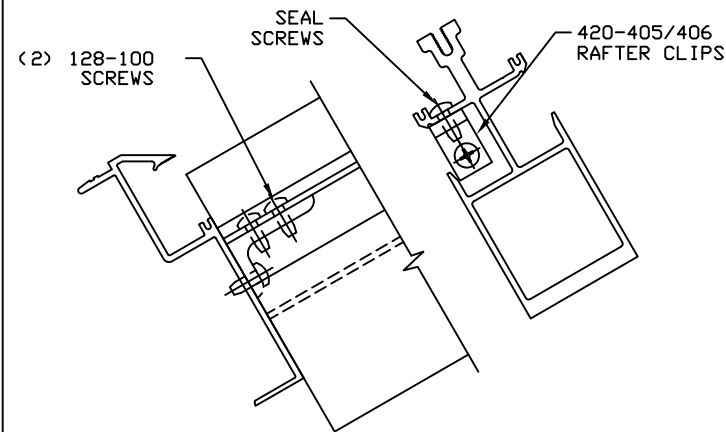
INSIDE CORNER:



STEP 3

SET CORNER RAFTERS:

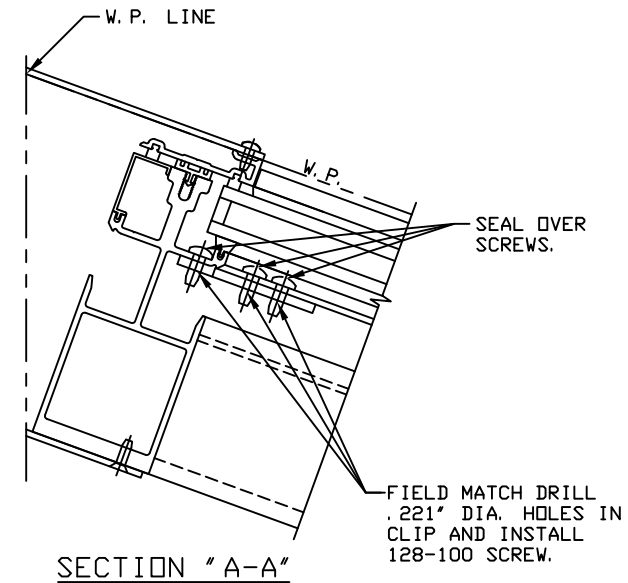
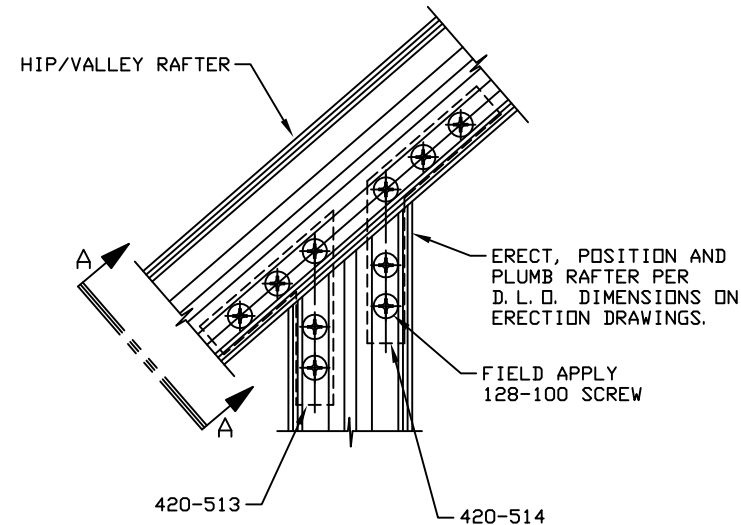
SET OUTSIDE CORNER RAFTER OVER SHOP INSTALLED RAFTER CLIP. POSITION RAFTER PER D.L.O. ON ERECTION DRAWINGS, AND MATCH DRILL CORNER RAFTER CLIPS WITH .196" DIA. HOLES. ATTACH RAFTER TO CLIP WITH (2) 128-100 SCREWS. SEAL OVER HEAD OF FASTENERS.



STEP 4

INSTALL JACK RAFTERS:

POSITION JACK RAFTER AS SHOWN ON THE SHOP DRAWINGS AND ATTACH TO THE HIP/VALLEY RAFTER USING TEN (10) 128-100 SCREWS AND THE 420-513/514 CLIPS. SEAL OVER ALL SCREW HEADS.

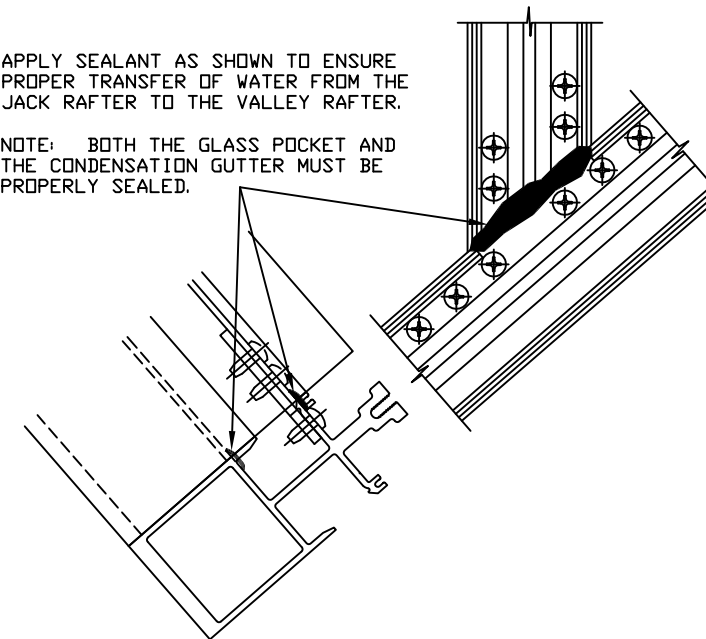


NOTE: HIP RAFTER SHOWN VALLEY RAFTER SIMILAR

SEAL JACK RAFTER TO VALLEY RAFTER:

APPLY SEALANT AS SHOWN TO ENSURE PROPER TRANSFER OF WATER FROM THE JACK RAFTER TO THE VALLEY RAFTER.

NOTE: BOTH THE GLASS POCKET AND THE CONDENSATION GUTTER MUST BE PROPERLY SEALED.



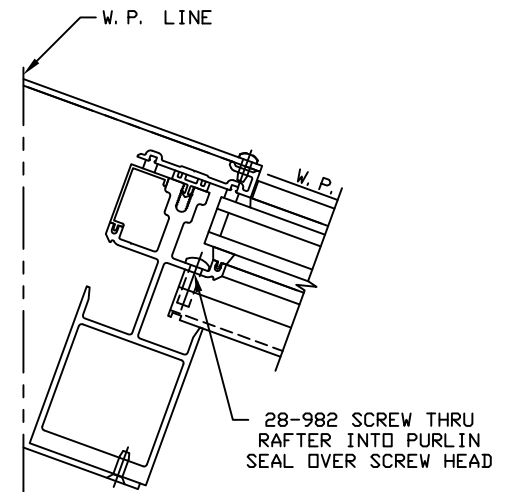
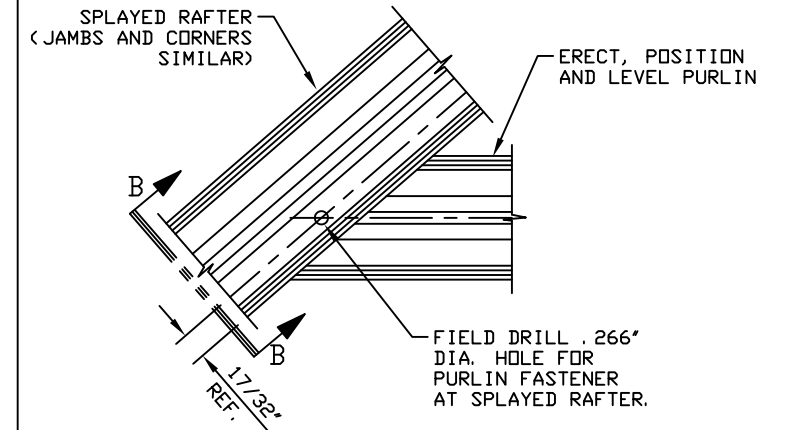
ERECTOR NOTE:

THESE INSTRUCTIONS ARE FOR SYMMETRICAL HIP AND VALLEY CORNERS AND SPLAYED JAMBS ONLY. FOR ALL OTHER SITUATIONS REFER TO ERECTION DRAWINGS FOR THESE SPECIFIC DETAILS.

STEP 5

INSTALL PURLINS:

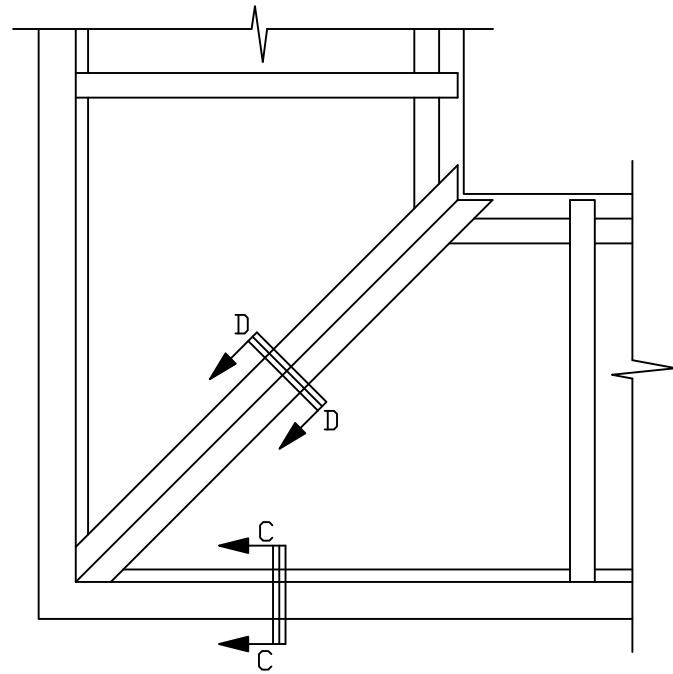
LOCATE PURLIN PER SHOP DRAWINGS AND ATTACH TO HIP/VALLEY RAFTER WITH 28-982 SCREW. SEAL OVER SCREW HEAD. SEAL PURLIN TO RAFTER AS ILLUSTRATED IN STEP 7 OF THE 420-498 INSTALLATION INSTRUCTIONS.



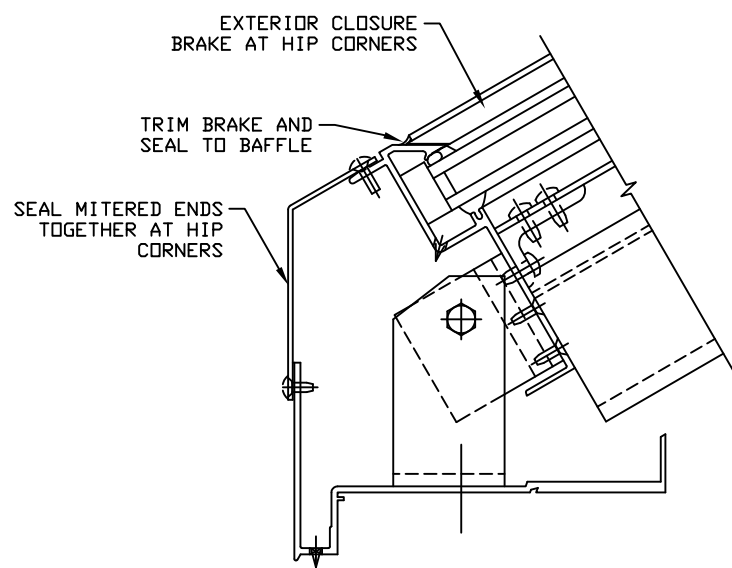
NOTE: HIP RAFTER SHOWN VALLEY RAFTER SIMILAR

KAWNEER 1600 SLOPED GLAZING SUPPLEMENTARY INSTALLATION INSTRUCTIONS FOR SYMMETRICAL HIP AND VALLEY RAFTERS PART NO. 420-499 1 OF 2	95366-42 10/09/92
	DRAWING:
	ORDER:
	SHT:

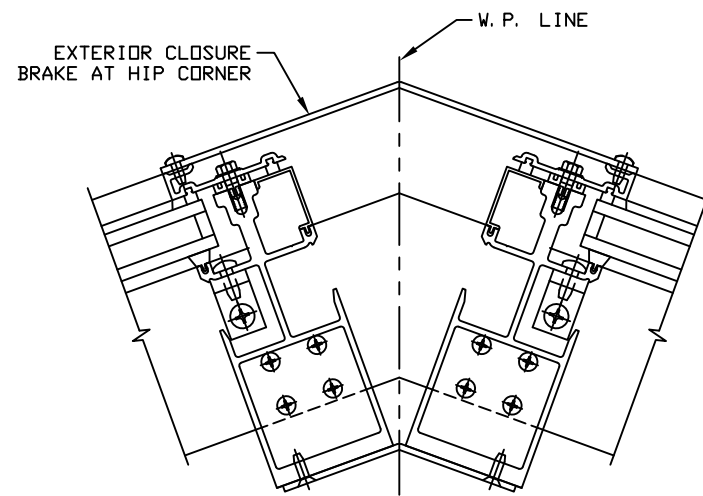
SPECIAL DETAILS AND REFERENCES
ADJUSTABLE SLOPE



PLAN VIEW AT
OUTSIDE CORNER

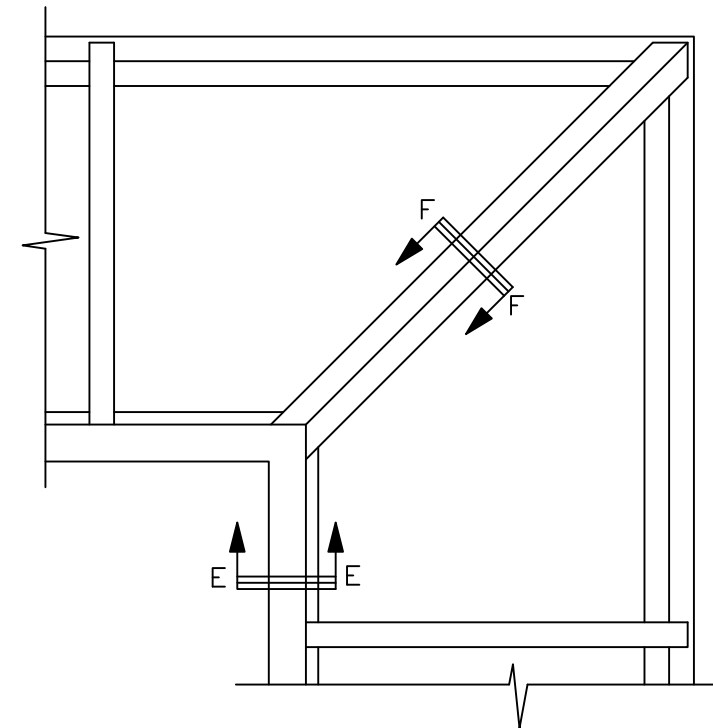


SECTION "C-C"

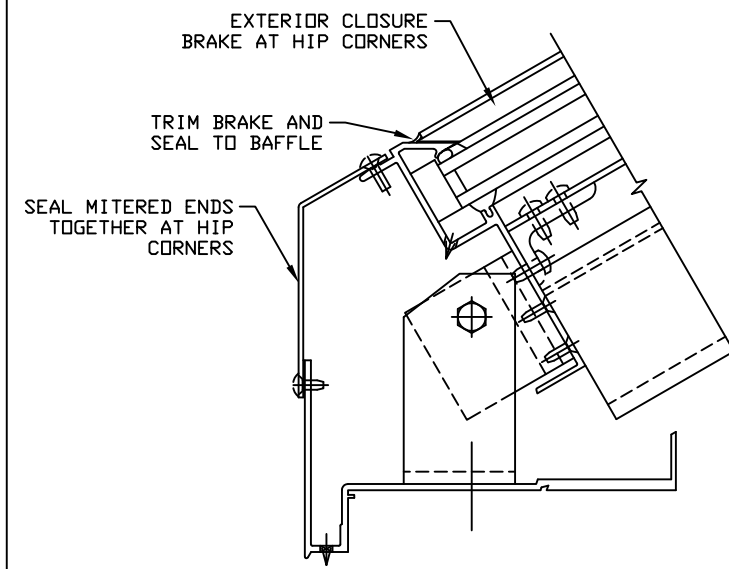


SECTION "D-D"

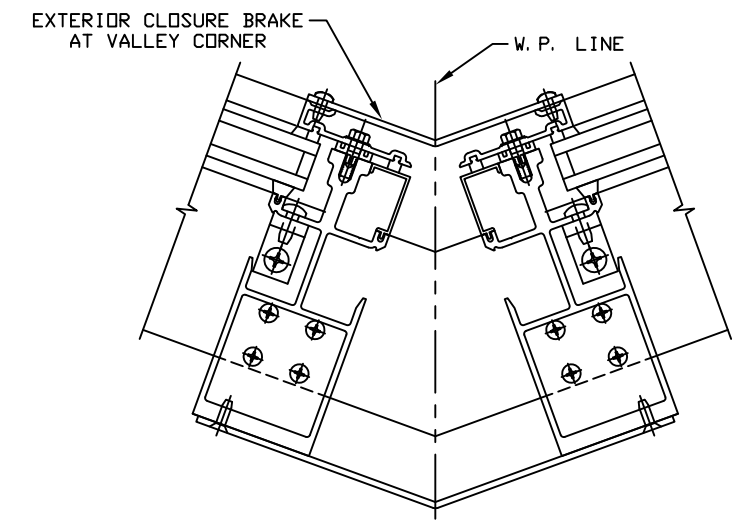
SPECIAL DETAILS AND REFERENCES
ADJUSTABLE SLOPE



PLAN VIEW AT
INSIDE CORNER



SECTION "E-E"



SECTION "F-F"

ERECTOR NOTE:

THESE INSTRUCTIONS ARE FOR SYMMETRICAL HIP AND VALLEY CORNERS AND SPLAYED JAMBS ONLY. FOR ALL OTHER SITUATIONS REFER TO ERECTION DRAWINGS FOR THESE SPECIFIC DETAILS.



1600 SLOPED GLAZING
SUPPLEMENTARY INSTALLATION INSTRUCTIONS
FOR SYMMETRICAL HIP AND VALLEY RAFTERS

PART NO.
420-499 2 OF 2

95366-42
10/09/92

DRAWING:

ORDER:

SHT: