

## GENERAL NOTES

- THE FOLLOWING PRECAUTIONS ARE RECOMMENDED TO ASSURE EARLY ACCEPTANCE OF YOUR PRODUCTS AND WORKMANSHIP:
  - HANDLE CAREFULLY - DON'T DROP. STACK WITH ADEQUATE SEPARATION SO MATERIALS WILL NOT RUB TOGETHER. STORE MATERIALS OFF THE GROUND. PROTECT AGAINST ELEMENTS AND OTHER CONSTRUCTION TRADES.
  - KEEP MATERIAL AWAY FROM WATER, MUD, AND SPRAY - PREVENT CEMENT, PLASTER OR OTHER MATERIALS FROM DAMAGING THE FINISH.
  - PROTECT THE MATERIALS AFTER ERECTION - BY WRAPPING WITH KRAFT PAPER OR BY ERECTING VISQUEEN OR CANVAS SPLATTER SCREENS. CEMENT, PLASTER, TERRAZZO AND OTHER ALKALINE SOLUTIONS ARE VERY HARMFUL TO THE FINISH AND SHOULD BE REMOVED IMMEDIATELY WITH WATER AND MILD SOAP. UNDER NO CIRCUMSTANCES ALLOW THESE MATERIALS TO DRY OR PERMANENT STAINING WILL OCCUR.

## GENERAL RULES

- THE FOLLOWING PRACTICES ARE RECOMMENDED FOR ALL WALL INSTALLATIONS:
  - CHECK SHOP DRAWINGS TO BECOME THOROUGHLY FAMILIAR WITH THE JOB.
  - ALL MATERIALS ARE TO BE INSTALLED PLUMB, LEVEL AND TRUE.
  - ALL WORK SHOULD START FROM ESTABLISHED BENCH MARKS AND COLUMN CENTER LINES ESTABLISHED BY THE ARCHITECTURAL DRAWING AND THE GENERAL CONTRACTOR.
  - THE SEQUENCE OF ERECTION SHOULD BE COORDINATED WITH THE JOB SUPERINTENDENT SO DELAYS ARE PREVENTED AND THE RISK OF MATERIAL DAMAGE IS MINIMIZED. IF PRESETTING OF ANCHORAGE IS REQUIRED, COORDINATE WITH THE GENERAL CONTRACTOR AND SUPERVISE LOCATION.
  - MAKE CERTAIN THAT CONSTRUCTION WHICH WILL RECEIVE YOUR MATERIAL IS IN ACCORDANCE WITH THE CONTRACT DOCUMENTS. IF NOT, NOTIFY THE GENERAL CONTRACTOR IN WRITING, AND RESOLVE DIFFERENCES BEFORE PROCEEDING WITH YOUR WORK.
  - INSULATE ALL ALUMINUM TO BE PLACED DIRECTLY IN CONTACT WITH THE MASONRY OR INCOMPATIBLE MATERIALS WITH A HEAVY COAT OF ZINC CHROMATE OR BITUMINOUS PAINT.
  - FOLLOW KAWNEER INSTALLATION AND GLAZING INSTRUCTIONS.
  - CHECK ALL MATERIAL ON ARRIVAL FOR QUANTITY.
  - BE SURE TO HAVE ALL THE MATERIALS AND TOOLS NEEDED TO BEGIN THE INSTALLATION:
    - APPROVED SHOP DRAWINGS
    - LEVEL AND PLUMB (TRANSIT)
    - FASTENERS AND DRIVERS AS REQUIRED (NOTE RECOMMENDED TOOLS)
    - PERIMETERS AND ACCESSORIES SUCH AS ANCHORS, FASTENERS, SLEEVES OR SPLICE CAPS.
    - SEALING MATERIALS (SEALANT / MASTIC)
    - GLAZING MATERIALS

## SPECIAL INSTRUCTIONS

### NOTE:

THESE INSTALLATION INSTRUCTIONS ARE A SUPPLEMENT TO THE APPROVED SHOP DRAWINGS AND SHOULD BE USED IN CONJUNCTION WITH THOSE DRAWINGS.

FLASHING, GUTTERS AND BAFFLES MAY BE SHIPPED LONG AND WILL REQUIRE FIELD CUTTING AND FITTING.

SEQUENCE OF ANCHORING, SEALING, ERECTION AND GLAZING WILL VARY WITH EACH APPLICATION.

READ THROUGH THE INSTALLATION INSTRUCTIONS BEFORE STARTING ERECTION. TAKE NOTE OF ALL "SPECIAL INSTRUCTIONS", "GLAZING" AND "SEALING".

## GLAZING

PRE-ASSEMBLE GLAZING BACKUP ONTO PRESSURE PLATES BEFORE INSTALLING. HAND START SEVERAL SCREWS IN EACH PRESSURE PLATE. THIS WILL REDUCE CREEP AND DIMENSIONAL BUILD UP WHEN SCREWS ARE DRIVEN TIGHT ONE AT A TIME. TORQUE SCREWS TO 40 INCH LBS. THIS VALUE MAY CHANGE DUE TO TYPE OF INFILL, INFILL SUPPLIER RECOMMENDATIONS OR TEMPERATURE. BACK UP ROD MUST BE INSTALLED AT BAFFLE. TAKE CARE TO AVOID DAMAGING INFILL WHEN INSTALLING ROD.

## SEALING

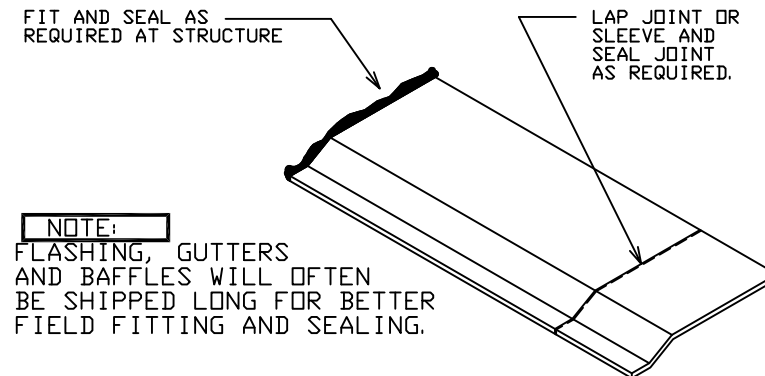
- SEAL OVER ALL RAFTER ANCHORING SCREWS AND ACCESS HOLE PLUGS. **REF: STEP 6**
- SET ALL SPLICE SLEEVES AND SPLICE CAPS IN SEALANT. **REF: STEPS 1, 4, & 7**
- SEAL METAL TO METAL PURLIN TO RAFTER AT LOW SIDE OF COPE. **REF: STEP 5**
- SEAL PURLIN GASKET ENDS ESPECIALLY AT LOW SIDES. **REF: STEP 9**
- SEAL ENDS OF ALL HORIZONTAL PRESSURE PLATES. **REF: STEP 11**
- SEAL ENDS OF ALL VERTICAL PRESSURE PLATES AT BAFFLE. **REF: STEP 11**
- SEAL OVER ALL GLAZING BACK UP. **REF: STEP 12**
- PERIMETER SEALING IS ON A PER JOB BASIS. CONSULT APPROVED SHOP DRAWINGS.
- SEAL OVER ALL PRESSURE PLATE SCREWS.

## INSTALLATION INSTRUCTIONS

### STEP 1

#### INSTALL FLASHING AT SILL/EAVE:

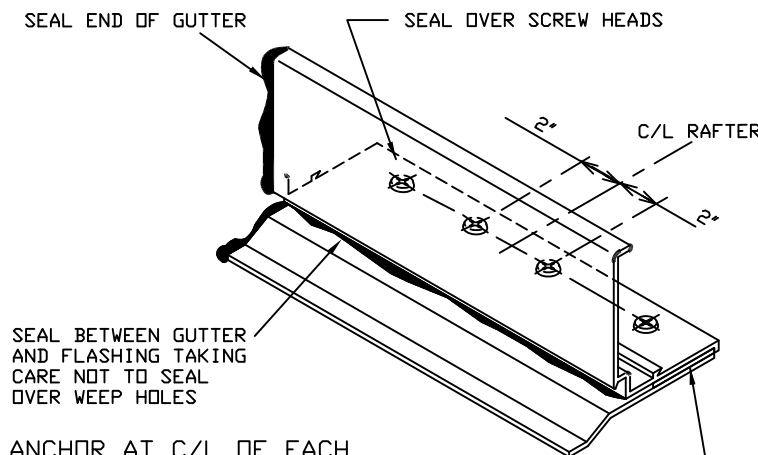
FIT, SLEEVE, SHIM, SEAL AND ATTACH PER APPROVED SHOP DRAWINGS.



### STEP 2

#### INSTALL GUTTER AT SILL:

FIT, SLEEVE, SHIM, SEAL AND ATTACH PER APPROVED SHOP DRAWINGS.



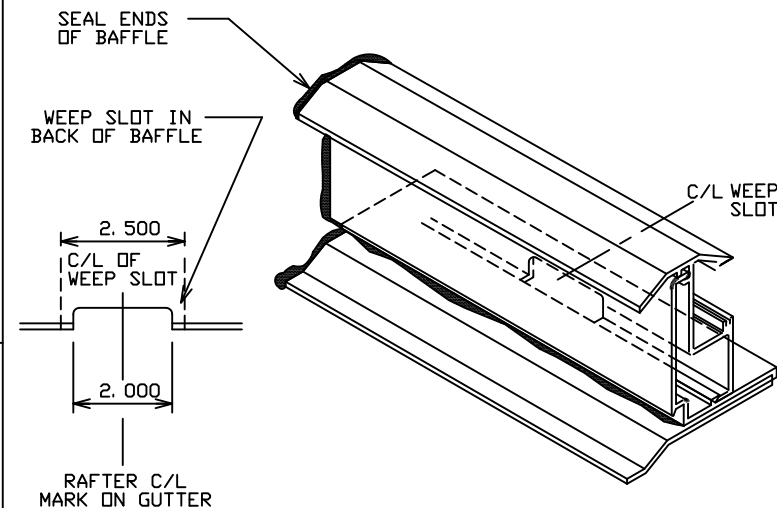
ANCHOR AT C/L OF EACH LITE. LAY OUT RAFTER CENTERLINES ON GUTTER. ANCHOR 2" EACH SIDE OF RAFTER CENTERLINE. SHIM A MINIMUM OF 1/8" AT EACH FASTENER. SEAL OVER ALL SCREW HEADS.

1/8" THICK SHIM MINIMUM BETWEEN GUTTER AND FLASHING AT EACH FASTENER.

### STEP 3

#### INSTALL BAFFLE AT SILL:

IF REQUIRED CUT BAFFLE TO FIT OPENING. ENGAGE BAFFLE INTO GUTTER MAKING SURE C/L OF WEEP SLOTS LINE UP WITH C/L OF RAFTERS LAID OUT ON THE GUTTER. SEAL ENDS OF BAFFLE AS REQUIRED.

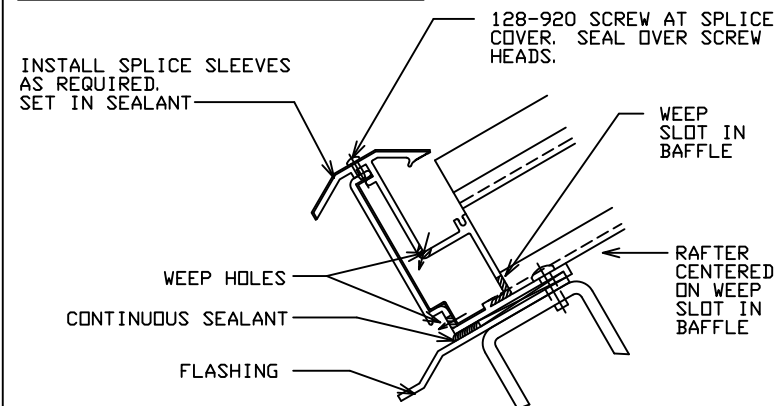


### STEP 4

#### POSITION RAFTERS:

SET RAFTERS DOWN TIGHT ON BAFFLE. CENTER ON WEEP SLOT IN BAFFLE.

NOTE: DO NOT ATTACH RAFTERS TO STRUCTURE AT THIS TIME.



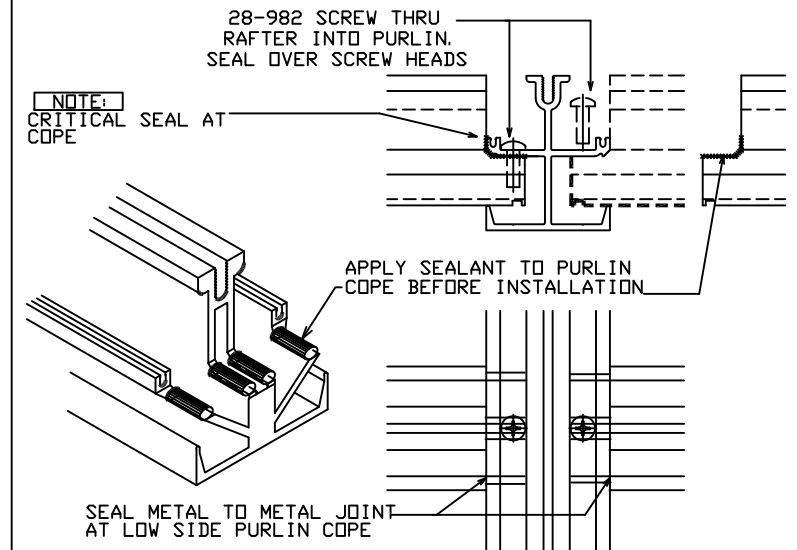
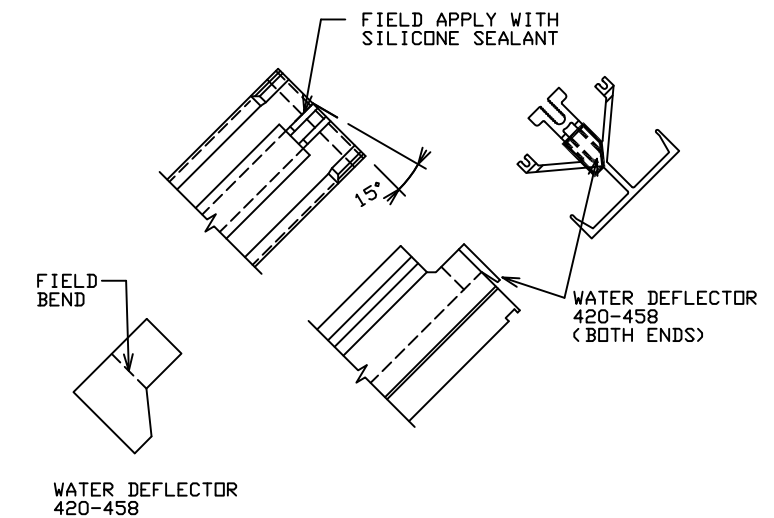
### STEP 5

#### ATTACH PURLINS TO RAFTERS\*

ATTACH WATER DEFLECTOR TO EACH END OF PURLIN AS SHOWN. APPLY SEALANT TO BOTH ENDS OF PURLIN AND ATTACH PURLIN TO RAFTER USING 28-982 SCREW AS ILLUSTRATED. SEAL OVER SCREW HEADS PURLIN TO RAFTER JOINTS MUST BE TIGHT TO AVOID DIMENSIONAL BUILD UP.

FOR LARGER OPENINGS START NEAR THE CENTER AND WORK TOWARD JAMBS.

\* SEE INSTRUCTION SHEET 420-495 FOR STRUCTURAL SILICONE GLAZED PURLIN INSTALLATION.



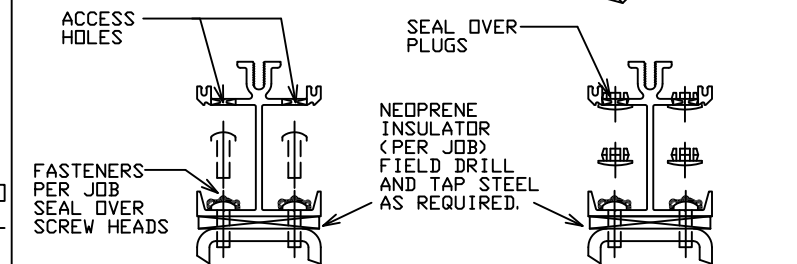
### STEP 6

#### ANCHOR RAFTERS TO STRUCTURE:

CHECK UNIT DIMENSIONS AND POSITION ON GRID. AFTER UNIT IS LOCATED PROPERLY, ANCHOR THRU ACCESS HOLES IN RAFTER.

PLUG ACCESS HOLES IN RAFTER WITH 420-460 PLUGS.

SEAL PLUGS ON SIDE SHOWN.



KAWNEER

1600 SLOPED GLAZING

SLOPE APPLIED TO STEEL GRID OR PART OF ROOF

PART NO. 420-496 1 OF 2

95366-42

10/09/92

DRAWING:

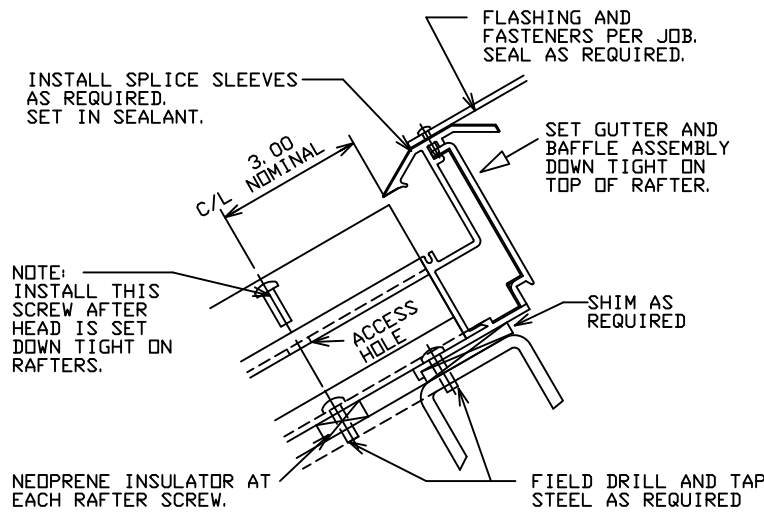
ORDER:

SHT:

**STEP 7**

**INSTALL HEAD OF UNIT:**

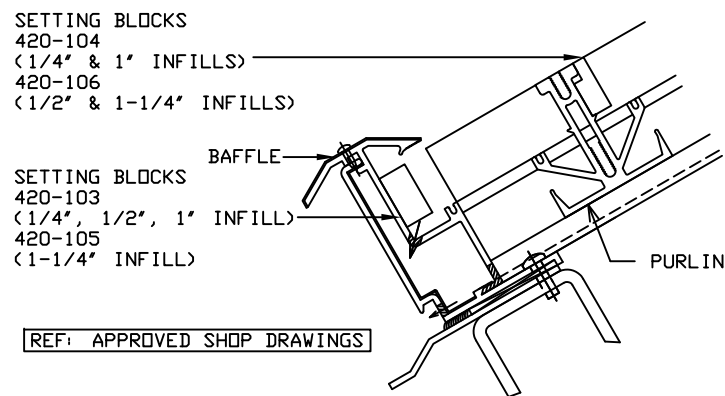
ASSEMBLE GUTTER AND BAFFLE AND INSTALL AS ONE PIECE OVER TOP OF RAFTERS. SET DOWN TIGHT ON TOP OF RAFTERS AND TIGHTEN TOP RAFTER SCREW. ATTACH GUTTER TO STRUCTURE WITH A SCREW AT D. L. O. CENTERLINE AND 2" EACH SIDE OF THE RAFTER C/L. SEAL HEADS OF ALL SCREWS.



**STEP 8**

**INSTALL SETTING BLOCKS**

PLACE SETTING BLOCKS AT 1/4 POINTS IN SILL BAFFLE AND PURLINS.

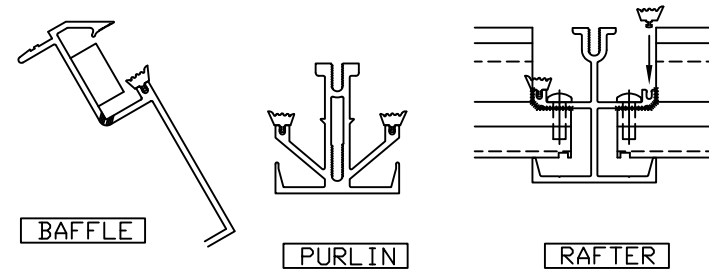
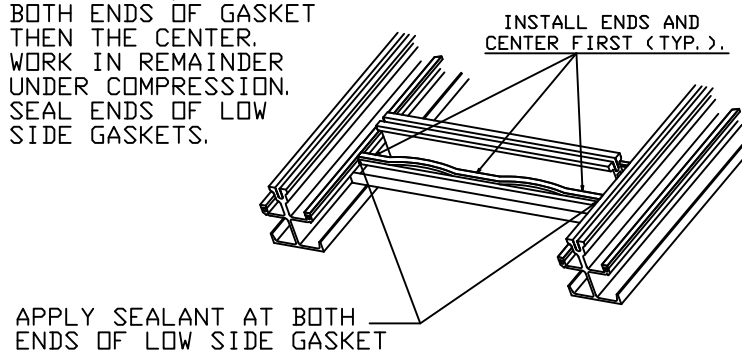


**STEP 9**

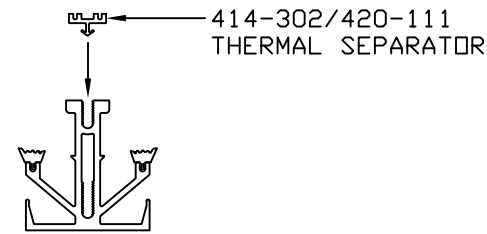
**INSTALL GASKETS AND THERMAL SEPARATOR**

CUT BAFFLE AND RAFTER GASKETS 3/16" LONG PER FOOT. INSTALL ONE END AND WORK REMAINDER IN UNDER COMPRESSION.

AT PURLINS, INSTALL BOTH ENDS OF GASKET THEN THE CENTER. WORK IN REMAINDER UNDER COMPRESSION. SEAL ENDS OF LOW SIDE GASKETS.

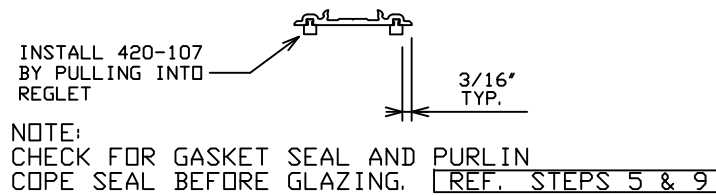


CUT THERMAL SEPARATOR TO LENGTH AND INSTALL IN RAFTERS AND PURLINS.



**STEP 10**

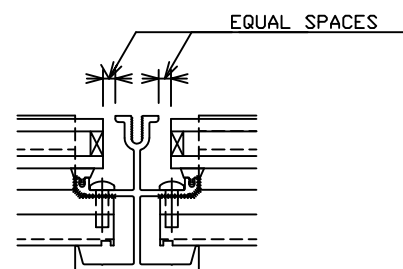
**INSTALL PRESSURE PLATE FIXED GLAZING BACKUP**



**STEP 11**

**INSTALL INFILL**

CENTER INFILL IN OPENING WITH BOTTOM EDGE ON SETTING BLOCKS.



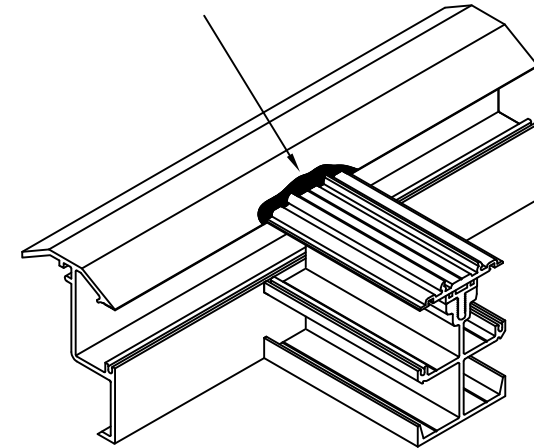
NOTE: ON MULTIPLE HEIGHT OPENINGS IT MAY BE ADVISABLE TO SET ONLY ONE LITE AHEAD OF SEALING OPERATION TO AVOID CLIMBING ON THE INSTALLED INFILL.

**STEP 12**

**INSTALL PRESSURE PLATES & COVERS**

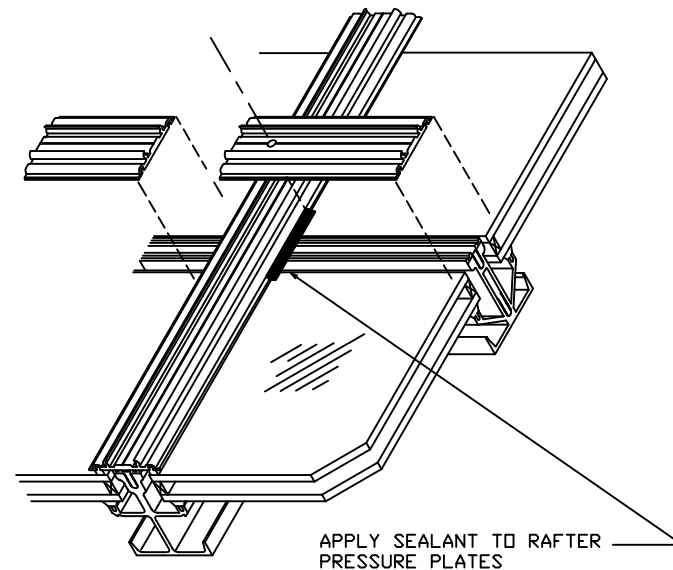
INSTALL VERTICAL RAFTER PRESSURE PLATES SETTING THEIR ENDS INTO SEALANT AT THE BAFFLES AS SHOWN BELOW. SEAL OVER ALL SCREW HEADS.

APPLY SEALANT BETWEEN PRESSURE PLATE & BAFFLE



APPLY SEALANT TO RAFTER PRESSURE PLATES AT PURLIN LOCATIONS AS SHOWN. APPLY SEALANT TO ENDS OF PURLIN PRESSURE PLATES AND ATTACH TO PURLINS USING HEX HEAD MACHINE SCREWS 9" O. C. SEAL OVER ALL SCREW HEADS.

NOTE: INSPECT PURLIN TO RAFTER PRESSURE PLATE JOINT. IF SEALANT DOES NOT SQUEEZE OUT APPLY ADDITIONAL SEALANT INTO JOINT UNTIL COMPLETELY FILLED.



INSTALL VERTICAL COVERS IMMEDIATELY AFTER PURLIN PRESSURE PLATES AND BEFORE SEALANT AT JOINT HAS CURED.

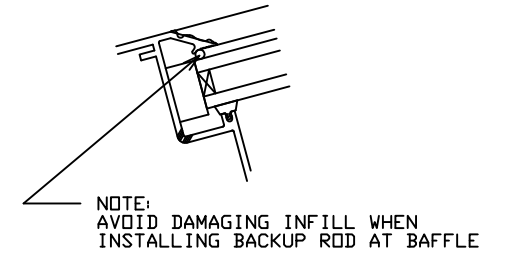
NOTE: RAFTER COVERS ARE CUT SHORT TO ALLOW FOR EXPANSION. INSTALL THEM UP TIGHT AGAINST THE BAFFLE, LEAVING A GAP AT THE HEAD.

BEFORE MOVING ON, INSTALL PURLIN COVERS MAKING SURE NOT TO DISTURB PURLIN TO RAFTER PRESSURE PLATE SEAL.

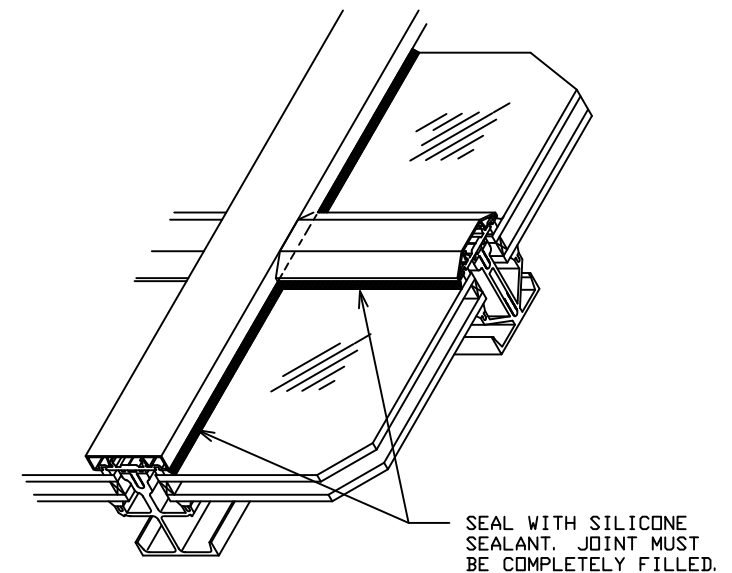
**STEP 13**

**APPLY EXTERIOR WEATHER SEAL**

INSTALL 27-140 BACKER ROD AT BAFFLE ONLY.



APPLY SEALANT AROUND INFILL COMPLETELY FILLING JOINT. TOOL SEALANT IMMEDIATELY.



**KAWNEER**

1600 SLOPED GLAZING  
SLOPE APPLIED TO STEEL GRID OR PART OF ROOF

PART NO.  
420-496 2 OF 2

95366-42  
10/09/92

DRAWING:

ORDER:

SHT: