

# SPECIAL INSTRUCTIONS

**NOTE:**  
THIS INSTALLATION INSTRUCTION SHEET IS A SUPPLEMENT TO THE APPROVED SHOP DRAWINGS AND ANY OTHER INSTALLATION INSTRUCTIONS INCLUDED WITH THESE DRAWINGS. IT IS TO BE USED IN CONJUNCTION WITH THOSE DRAWINGS.

READ THROUGH THE TOTAL PACKAGE OF INSTALLATION INSTRUCTIONS BEFORE STARTING ERECTION. TAKE NOTE OF ALL "SPECIAL INSTRUCTIONS", "GLAZING" AND "SEALING".

## GLAZING & SEALING

- INSULATING GLASS UNITS MUST BE OF A CONSTRUCTION SUITABLE FOR STRUCTURAL GLAZING.
- RECOMMENDED GLAZING SEQUENCE: INSTALL INFILL IN VERTICAL COLUMNS STARTING AT BOTTOM OF SLOPE AND WORKING UPWARD.
- TEMPORARY DUTCHMEN MAY BE REQUIRED AND THE NUMBER OF CLIPS PER LITE AND THERE LOCATION IS PER SEALANT MANUFACTURER'S RECOMMENDATIONS.
- TEMPORARY DUTCHMEN WHEN USED MUST REMAIN INSTALLED UNTIL SILICONE HAS CURED. FOLLOW SEALANT MANUFACTURER'S RECOMMENDATIONS.
- TEMPORARY DUTCHMEN ARE NOT TO BE USED AS STEPS FOR CLIMBING UP SLOPE. FOLLOW SEALANT MANUFACTURER'S RECOMMENDATIONS.
- HAND START PRESSURE PLATE SCREWS. THIS WILL REDUCE CREEP AND DIMENSIONAL BUILDUP WHEN SCREWS ARE DRIVEN TIGHT ONE AT A TIME. TORQUE SCREWS TO 40 INCH LBS. THIS VALUE MAY CHANGE DUE TO TYPE OF INFILL, INFILL SUPPLIER RECOMMENDATIONS OR TEMPERATURE.

## SILICONE GLAZING NOTE

STRUCTURAL SILICONE SEAL - THE GLAZING INSTALLER IS RESPONSIBLE FOR SELECTING AND CONTACTING THE SILICONE MANUFACTURER TO DETERMINE WHICH TYPE OF SILICONE IS TO BE USED AND WHAT SAMPLES ARE REQUIRED TO BE SUBMITTED FOR ADHESION AND COMPATIBILITY TESTING.

THE SILICONE SEALANT SHALL NOT BE APPLIED TO KAWNEER PRODUCTS WITHOUT THE APPROVAL OF THE SILICONE MANUFACTURER AND UNTIL ALL REQUIRED TESTING IS COMPLETED AND DETAILED APPLICATION INSTRUCTIONS HAVE BEEN DELIVERED TO THE INSTALLER BY THE SILICONE MANUFACTURER.

IF YOU FIND THE SILICONE MANUFACTURER'S INSTALLATION INSTRUCTIONS ARE NOT IN ACCORDANCE WITH KAWNEER'S INSTALLATION INSTRUCTIONS, IT IS YOUR RESPONSIBILITY TO NOTIFY KAWNEER OF THIS CONFLICT PRIOR TO GLAZING.

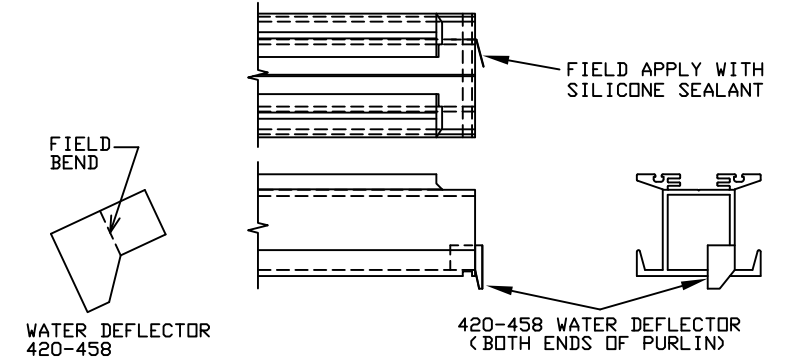
YOUR GLASS SUPPLIER MUST BE MADE AWARE THAT THEIR GLASS WILL BE USED IN A SSG APPLICATION. THE APPLICATION MUST BE APPROVED BY THE GLASS SUPPLIER PRIOR TO GLAZING.

FOR ANY STRUCTURAL SILICONE GLAZED PRODUCT APPLICATION THAT IS NOT SHOWN IN KAWNEER'S STANDARD PRODUCT LITERATURE, THE APPLICATION MUST BE PRE-APPROVED BY KAWNEER.

EXTERIOR GLASS WEATHER SEAL - SEALANT TO BE A TYPE AS RECOMMENDED BY THE MANUFACTURER OF THE STRUCTURAL SEALANT BEING USED FOR THIS PROJECT. SEALANT MUST BE APPLIED PER THE SEALANT MANUFACTURER'S RECOMMENDATIONS.

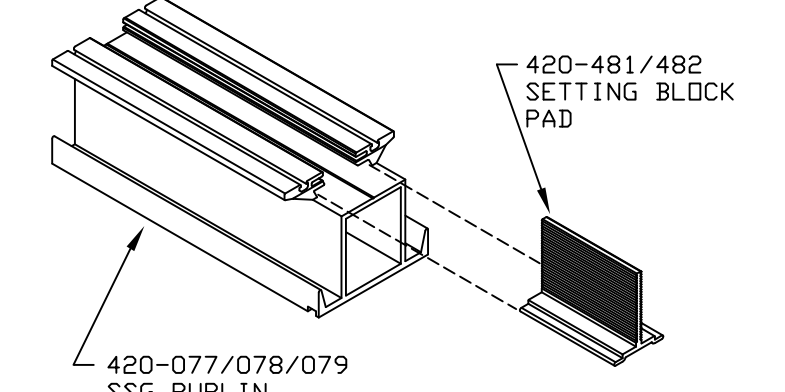
# INSTALLATION INSTRUCTIONS

**STEP 1**  
**PURLIN PREPARATION:**  
ATTACH WATER DEFLECTOR TO EACH END OF PURLIN.



SLIDE THREE (3) SETTING BLOCK PADS INTO SSG PURLINS AS SHOWN.

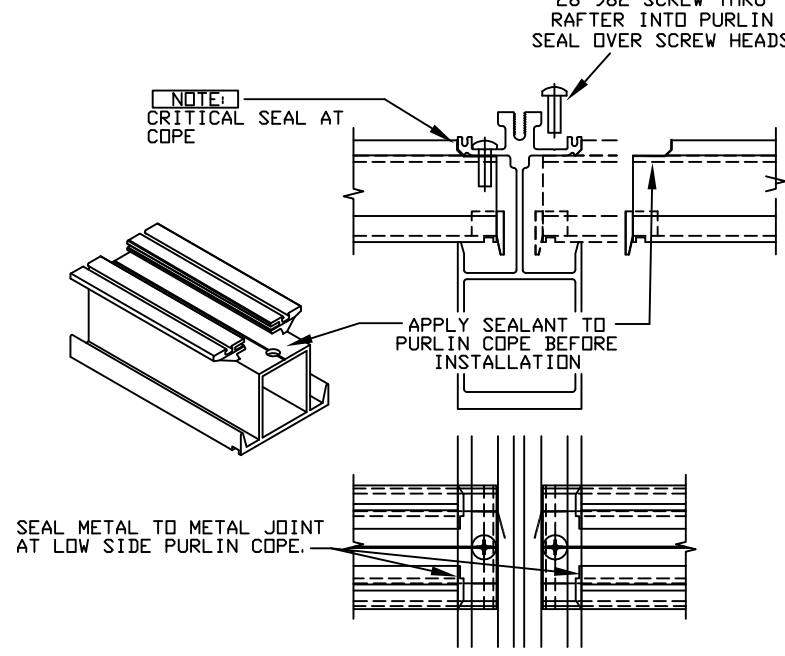
**IMPORTANT NOTE:** REFER TO SHOP DRAWINGS TO DETERMINE WHICH SLOT IN PURLIN SHOULD BE USED



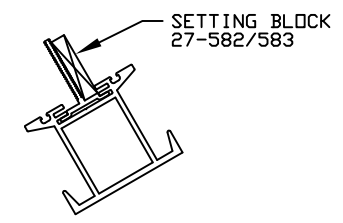
**STEP 2**  
**ATTACH PURLINS TO RAFTERS**

APPLY SEALANT TO BOTH ENDS OF PURLIN AND ATTACH PURLIN TO RAFTER USING 28-982 SCREW AS ILLUSTRATED BELOW. SEAL OVER SCREW HEADS. PURLIN TO RAFTER JOINTS MUST BE TIGHT TO AVOID DIMENSIONAL BUILD UP.

FOR LARGER OPENINGS START NEAR THE CENTER AND WORK TOWARD JAMBS.



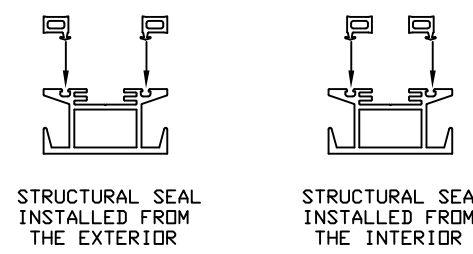
**STEP 3**  
**INSTALL SETTING BLOCKS:**  
PLACE SETTING BLOCKS ON TWO (2) SETTING BLOCK PADS AND POSITION AT 1/4 POINTS ALONG SSG PURLIN. (THE THIRD SETTING BLOCK PAD REQUIRES NO SETTING BLOCK AND MUST BE LOCATED AT THE CENTERLINE OF THE PURLIN)



INSTALL BAFFLE SETTING BLOCKS AS ILLUSTRATED IN STANDARD INSTALLATION INSTRUCTIONS.

**STEP 4**  
**INSTALL INTERIOR GASKETS**

INSTALL FIXED BACKUP INTO SSG PURLINS AS SHOWN CONSIDERING WHETHER THE STRUCTURAL SEAL IS TO BE INSTALLED FROM THE INTERIOR OR EXTERIOR OF THE UNIT.



INSTALL INTERIOR GASKETS IN BAFFLE AND RAFTERS AS SHOWN IN STANDARD INSTALLATION INSTRUCTIONS.

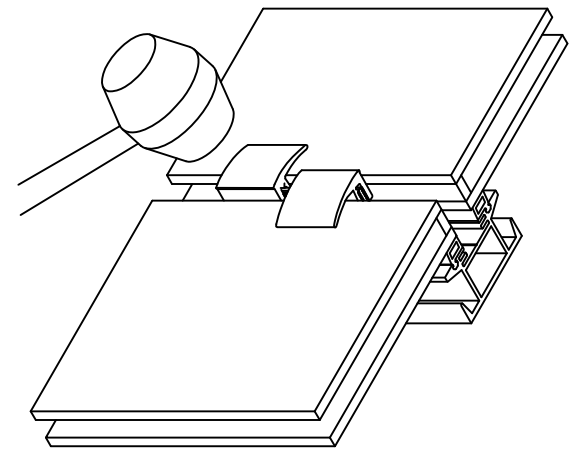
**STEP 5**  
**INSTALL PRESSURE PLATE FIXED GLAZING BACKUP**

SEE STANDARD INSTALLATION INSTRUCTIONS

**STEP 6**  
**INSTALL INFILL**

SEE STANDARD INSTALLATION INSTRUCTIONS

**STEP 7**  
**INSTALL TEMPORARY DUTCHMAN CLIPS**  
INSTALL TWO (2) 436-101 TEMPORARY DUTCHMAN CLIPS TO SETTING BLOCK PAD AT MIDPOINT OF EACH SSG PURLIN USING A RUBBER Mallet AS ILLUSTRATED BELOW.



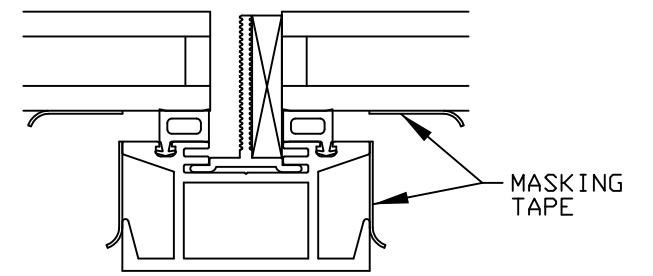
**STEP 8**  
**INSTALL PRESSURE PLATES AND COVERS**

SEE STANDARD INSTALLATION INSTRUCTIONS

**STEP 9**  
**APPLY STRUCTURAL SEAL**

**STEP 9A**  
**STRUCTURAL SEAL INSTALLED FROM INTERIOR**

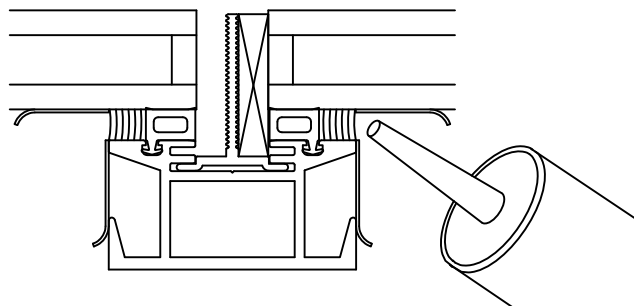
APPLY MASKING TAPE TO GLASS AND SSG PURLIN TO INSURE NEAT SEALANT LINES.



<b>KAWNEER</b> 1600 SLOPED GLAZING SUPPLEMENTARY INSTRUCTIONS FOR THE STRUCTURAL SILICONE GLAZED PURLIN	95366-48 10/03/97
	DRAWING:
	ORDER:
	SHT:

PART NO. 420-495 1 OF 2

APPLY SEALANT COMPLETELY FILLING JOINT. TOOL SEALANT IMMEDIATELY, BEFORE A SKIN FORMS. REMOVE MASKING TAPE IMMEDIATELY AFTER TOOLING.

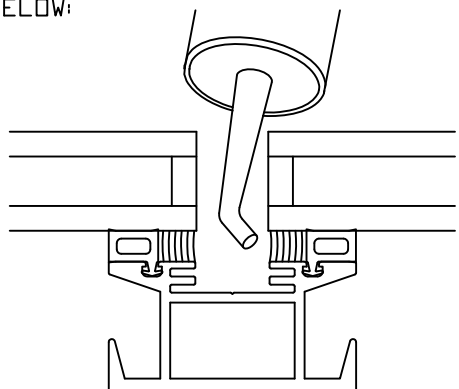


**STEP 9B**

**STRUCTURAL SEAL INSTALLED FROM EXTERIOR**

APPLY SEALANT BETWEEN SETTING BLOCK PADS FILLING JOINT COMPLETELY. TOOL SEALANT IMMEDIATELY, BEFORE A SKIN FORMS.

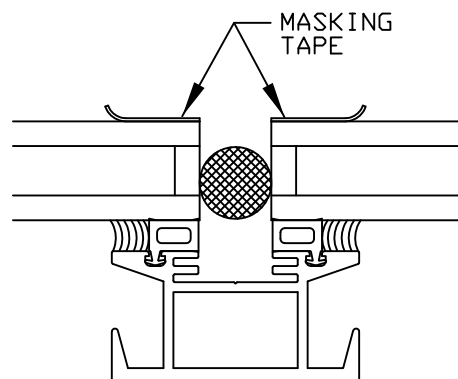
NOTE: WHEN THICKER INFILLS ARE USED A SPECIAL CAULK GUN AND EXTENSION MAY BE REQUIRED. SEE BELOW:



**STEP 10**

**APPLY EXTERIOR WEATHERSEAL:**

INSTALL 7/8" DIAMETER OPEN CELL BACKER ROD BETWEEN GLASS. APPLY MASKING TAPE TO GLASS TO INSURE NEAT SEALANT LINES.

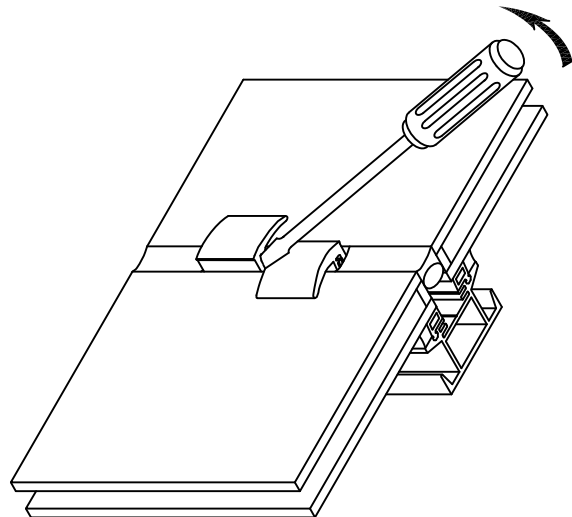


APPLY SEALANT COMPLETELY FILLING JOINT. TOOL SEALANT IMMEDIATELY, BEFORE A SKIN FORMS. REMOVE MASKING TAPE IMMEDIATELY AFTER TOOLING.

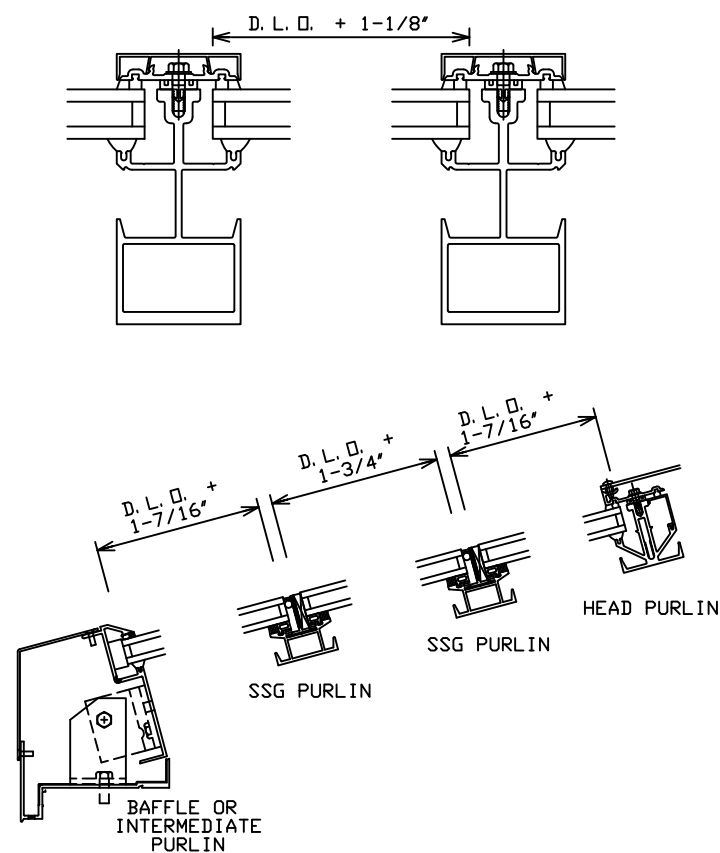
**STEP 11**

**REMOVE DUTCHMAN AND SEAL**

AFTER SILICONE HAS CURED (REFER TO MANUFACTURER'S RECOMMENDED CURING TIME) REMOVE TEMPORARY DUTCHMAN CLIPS USING A SCREWDRIVER AS ILLUSTRATED BELOW. INSTALL BACKER ROD AND SEAL.



GLASS SIZE FORMULAS:



**KAWNEER**

1600 SLOPED GLAZING  
SUPPLEMENTARY INSTRUCTIONS FOR THE  
STRUCTURAL SILICONE GLAZED PURLIN

PART NO.  
420-495 2 OF 2

95366-56  
12/10/03

DRAWING:

ORDER:

SHT: