

USE THESE INSTRUCTIONS IN CONJUNCTION WITH INSTALLATION INSTRUCTIONS 250-970

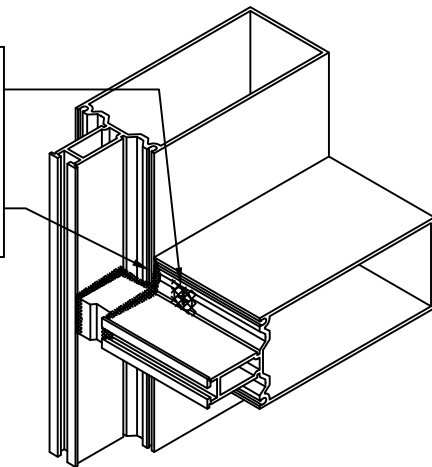
SQUARENESS AND DAYLITE OPENING DIMENSIONS MUST BE HELD TO WITHIN 1/16" OF NOMINAL FOR THE VENTS TO FIT AND OPERATE PROPERLY. DIAGONAL DIMENSIONS ACROSS OPENING MUST NOT VARY MORE THAN 1/16".

INSTALL VENT POCKET ADAPTERS

ALL SURFACES AND GROOVES MUST BE CLEANED PER THE SEALANT MANUFACTURER'S RECOMMENDATIONS.

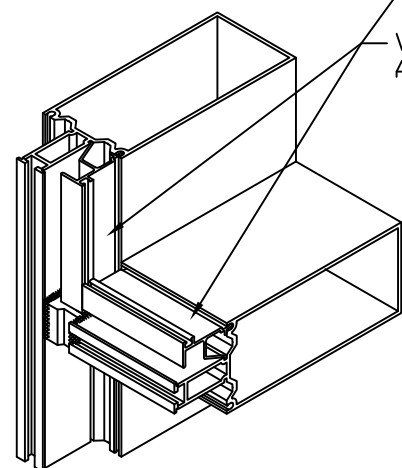
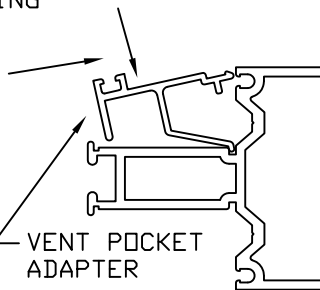
IMPORTANT

JUST BEFORE INSTALLING VENT POCKET ADAPTERS FACE SEAL JOINTS AT ALL 4 CORNERS, AND SCREW HEADS PER 250-999



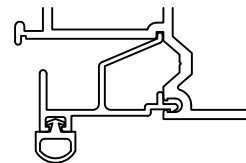
VERTICAL ADAPTER DAYLITE OPENING PLUS 1-1/8"
HORIZONTAL ADAPTER DAYLITE OPENING MINUS 5/16"

INSTALL VERTICAL ADAPTERS FIRST



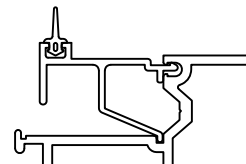
INSTALL PERIMETER VENT GASKETS

HEAD



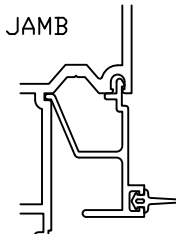
GASKET 027-860

GASKET 027-861



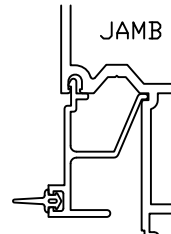
SILL

JAMB

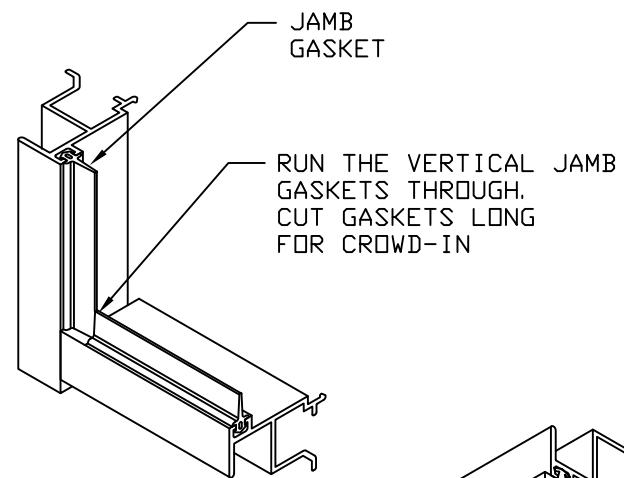


GASKET 027-861

JAMB



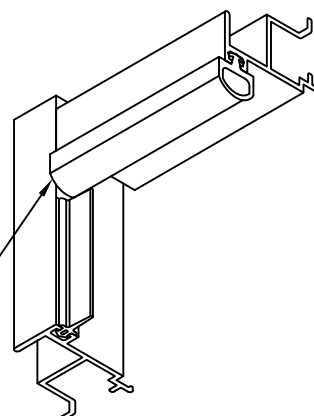
GASKET 027-861



JAMB GASKET

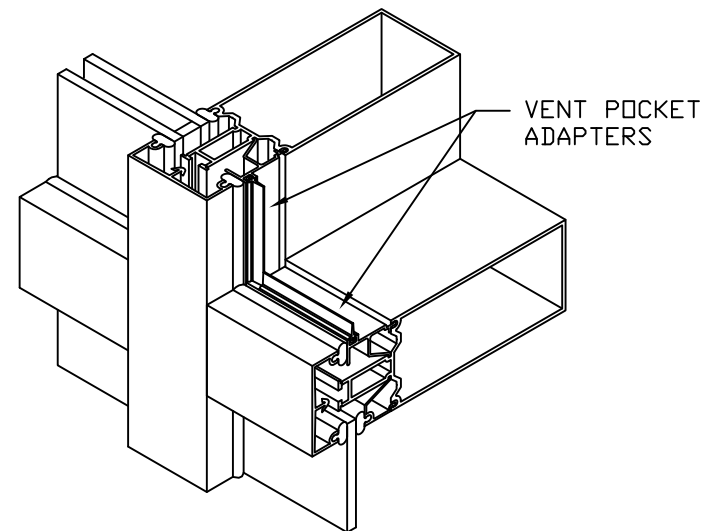
RUN THE VERTICAL JAMB GASKETS THROUGH. CUT GASKETS LONG FOR CROWD-IN

RUN THE HEAD GASKET THROUGH. CUT GASKETS LONG FOR CROWD-IN



GLAZE GLASS AND INSTALL PRESSURE PLATES

AFTER INSTALLING VENT POCKET ADAPTERS COMPLETE THE REMAINING STEPS WITH INSTALLATION INSTRUCTIONS 250-999 FOR GLAZING AND APPLYING EXTERIOR COVERS.



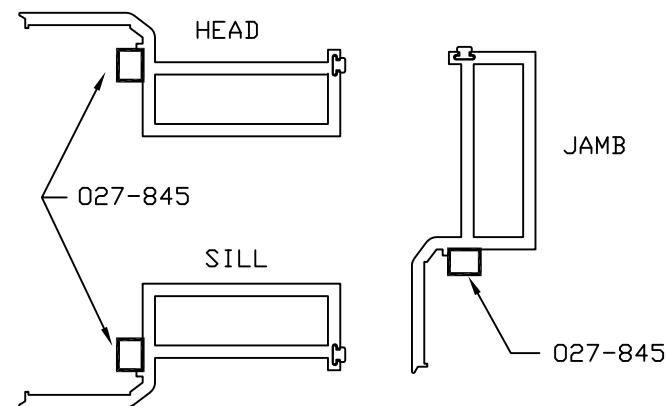
VENT POCKET ADAPTERS

STRUCTURAL VENT GLAZING

STRUCTURAL SEAL - SEALANT TO BE STRUCTURAL TYPE SILICONE AS RECOMMENDED BY THE SEALANT MANUFACTURER. SEALANT SHALL NOT BE APPLIED UNTIL ALL REQUIRED COMPATIBILITY AND ADHESION TESTING IS COMPLETE. SEALANT MUST BE APPLIED PER THE SEALANT MANUFACTURER'S RECOMMENDATIONS.

EXTERIOR GLASS WEATHER SEAL - SEALANT TO BE A TYPE AS RECOMMENDED BY THE MANUFACTURER OF THE STRUCTURAL SEALANT BEING USED FOR THIS PROJECT. SEALANT MUST BE APPLIED PER THE SEALANT MANUFACTURER'S RECOMMENDATIONS.

CLEAN VENT GLAZING AND APPLY 027-845 2 SIDED ADHESIVE TAPE AS SHOWN. TEMPORARILY LEAVE THE PROTECTIVE LINER ON



HEAD

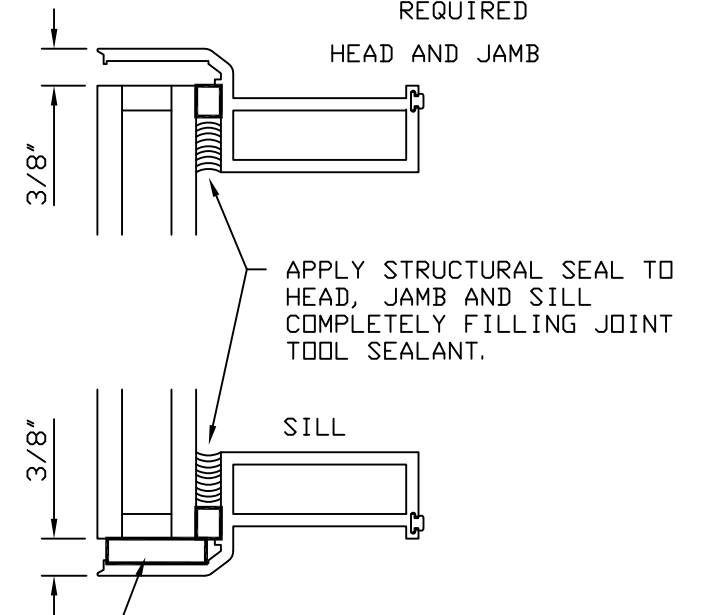
JAMB

SILL

027-845

APPLY STRUCTURAL SEAL

MASK GLASS AND METAL AS REQUIRED

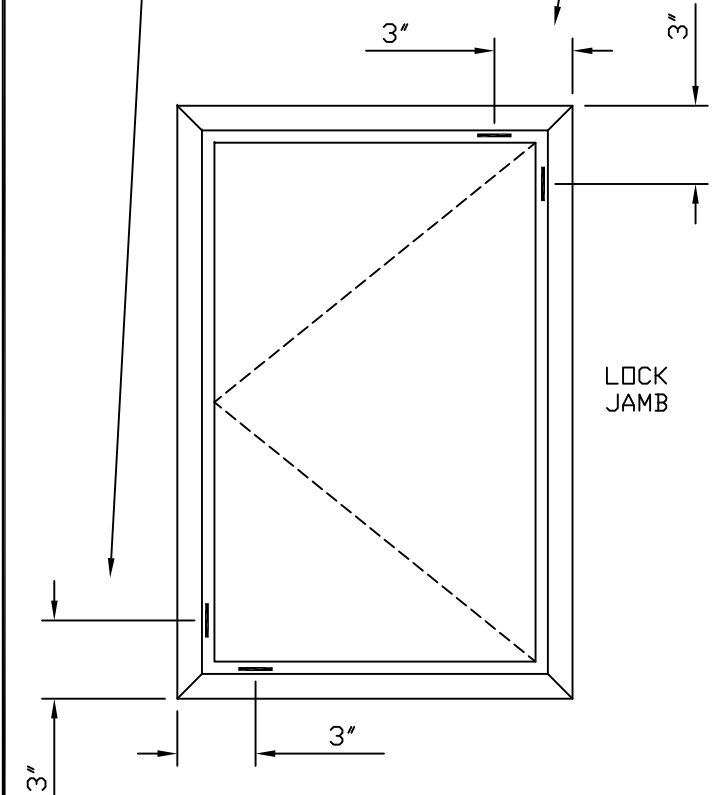


HEAD AND JAMB

APPLY STRUCTURAL SEAL TO HEAD, JAMB AND SILL COMPLETELY FILLING JOINT TOOL SEALANT.

SILL

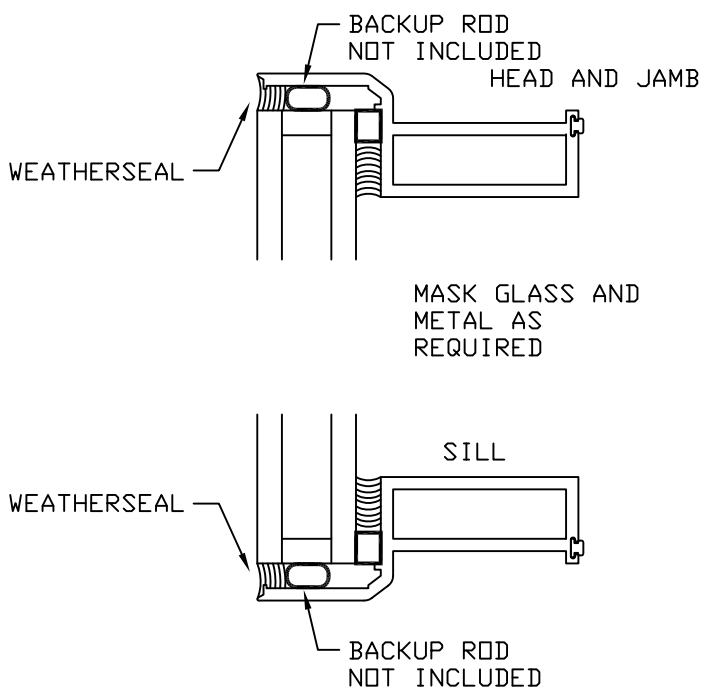
SETTING BLOCKS 027-858 1" GLASS



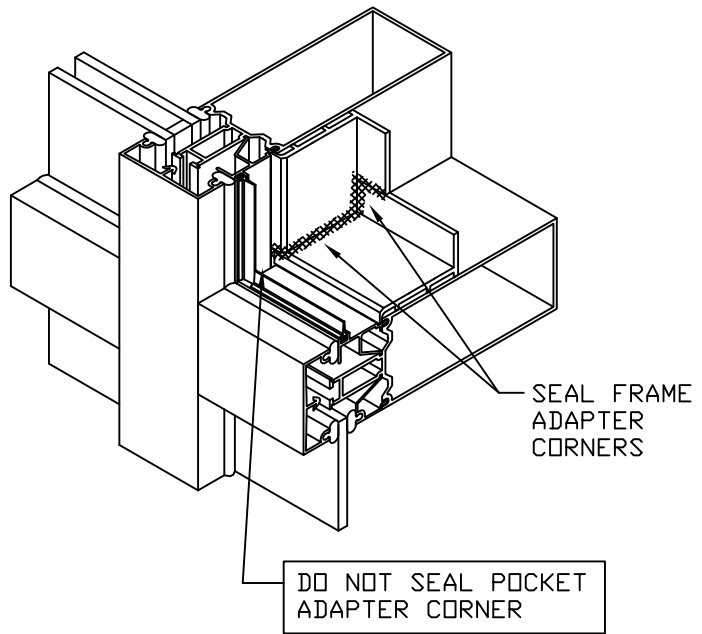
LOCK JAMB

<p>2250 L•R GLASSVENT INSTALLATION INSTRUCTIONS CASEMENTS</p>	<p>PART NUMBER 250-979 1 OF 3</p>
	<p>95435-041 11/03/14</p>
	<p>DRAWING:</p>
	<p>ORDER:</p>

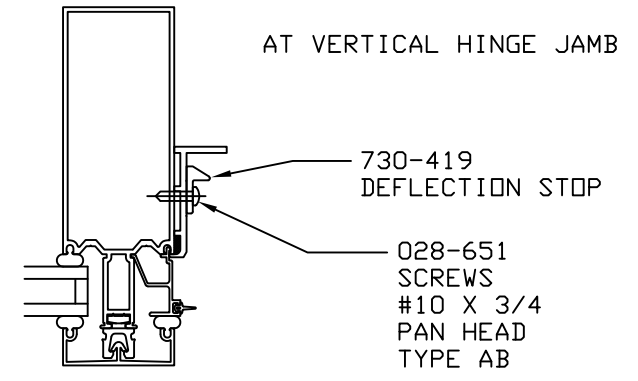
APPLY WEATHERSEAL



APPLY ADAPTERS TO ALL 4 SIDES AND SEAL CORNERS AS SHOWN.
DO NOT SEAL POCKET ADAPTER CORNERS.
THESE CORNERS ARE FOR WATER DRAINAGE.

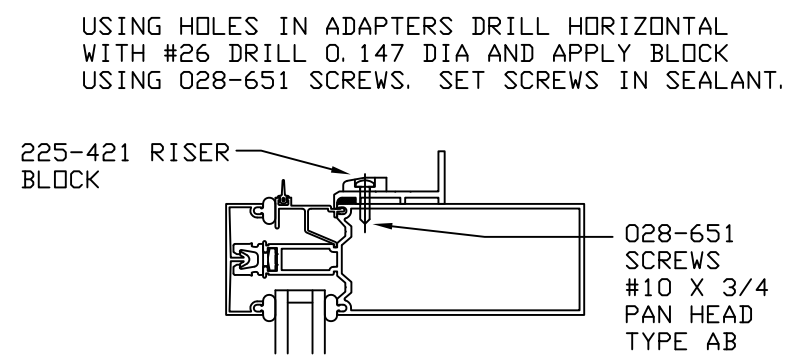


INSTALL DEFLECTION STOP



APPLY DEFLECTION STOP. USING HOLES IN ADAPTERS DRILL HORIZONTAL WITH #26 DRILL 0.147 DIA. AND APPLY WITH 028-651 SCREWS. ADJUST STOP ALL THE WAY TO THE EXTERIOR AND SNUG TIGHTEN SCREWS. ADJUSTMENT WILL BE REQUIRED AFTER THE VENT IS INSTALLED.

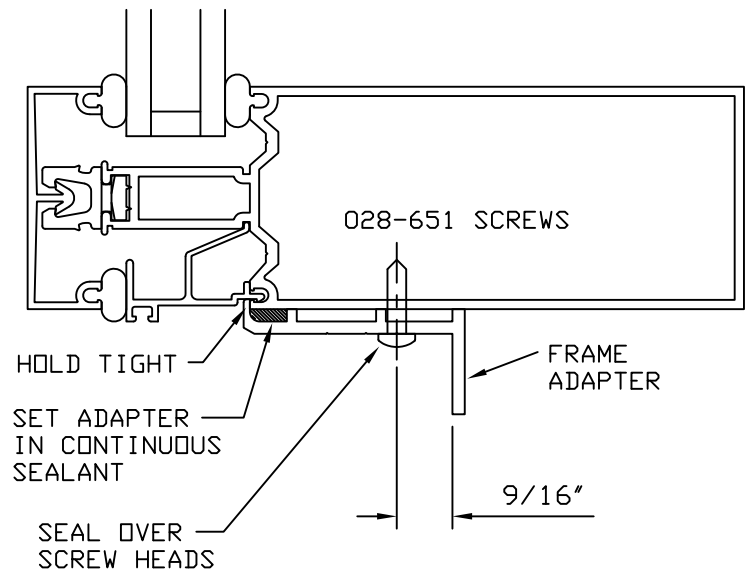
INSTALL RISER BLOCK



USING HOLES IN ADAPTERS DRILL HORIZONTAL WITH #26 DRILL 0.147 DIA AND APPLY BLOCK USING 028-651 SCREWS. SET SCREWS IN SEALANT.

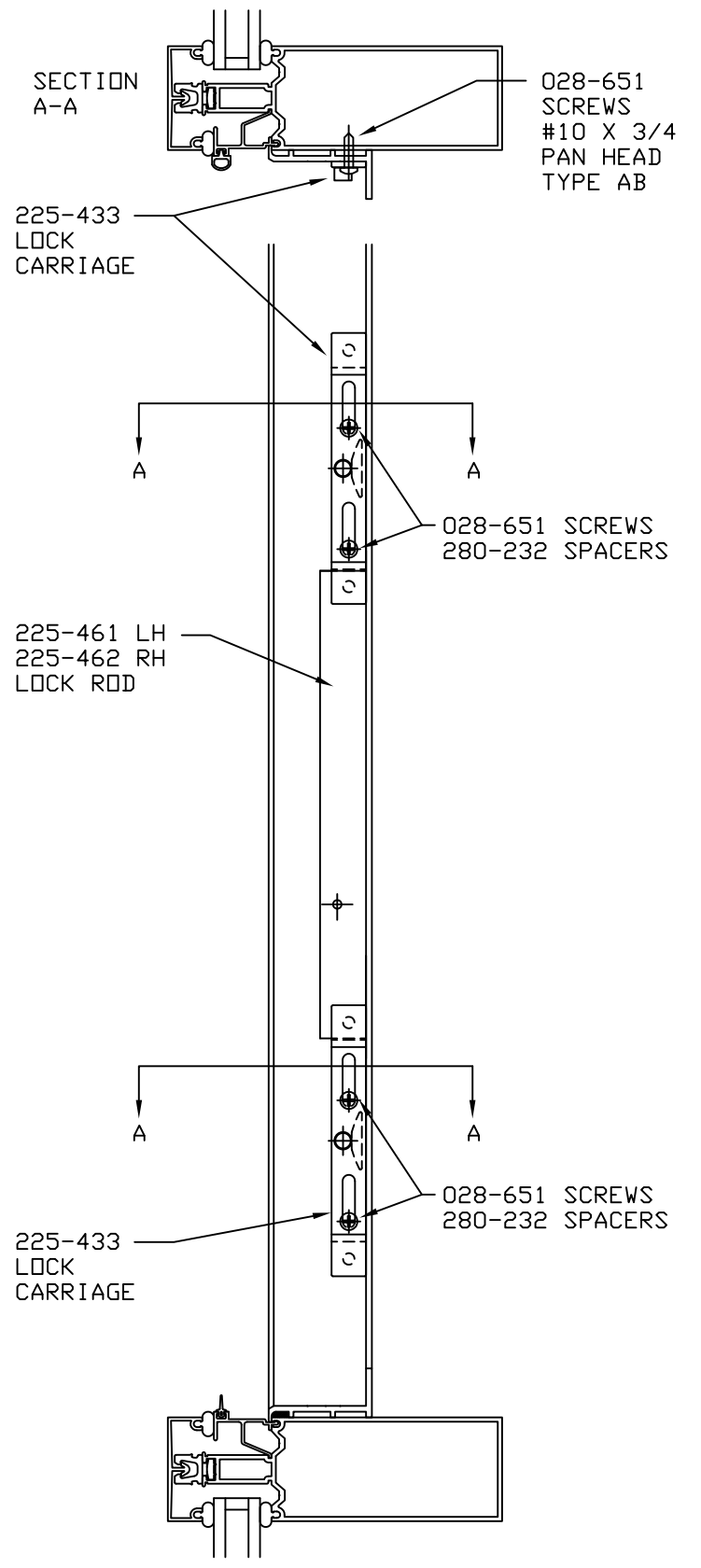
INSTALL VENT FRAME ADAPTERS

VENT FRAME ADAPTERS ARE HANDED. SEE APPROVED SHOP DRAWINGS FOR LOCATION.
HOLD ADAPTERS TIGHT AGAINST MULLION AS SHOWN. USING HOLES IN ADAPTERS MATCH DRILL MULLIONS WITH #26 DRILL 0.147 DIA. AND APPLY WITH 028-651 SCREWS #10 X 3/4 PAN HEAD TYPE AB.
AT THIS TIME USE ONLY HOLES FOR ADAPTER ATTACHMENT.

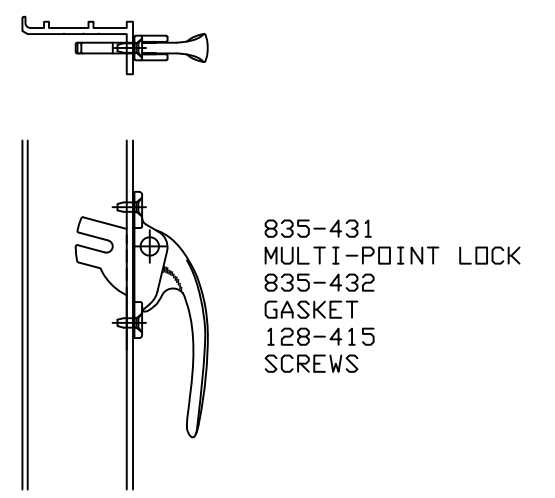


INSTALL MULTI-POINT LOCK CARRIAGE AND LOCK ROD

USING HOLES IN ADAPTERS DRILL HORIZONTAL WITH #26 DRILL 0.147 DIA AND APPLY LOCK CARRIAGE AND ROD USING 028-651 SCREWS AND 280-232 SPACERS. SET SCREWS IN SEALANT.

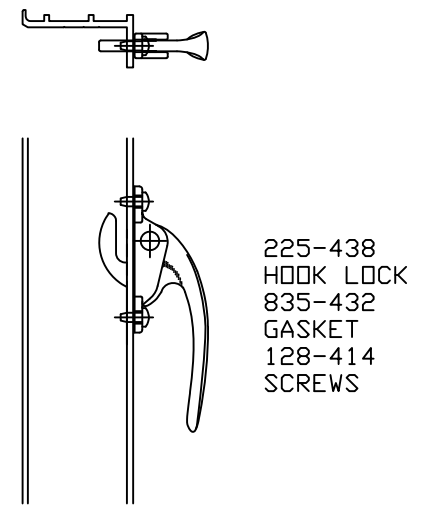


INSTALL MULTI-POINT LOCK



INSTALL HOOK LOCK

AT SINGLE LOCK POINT APPLICATIONS



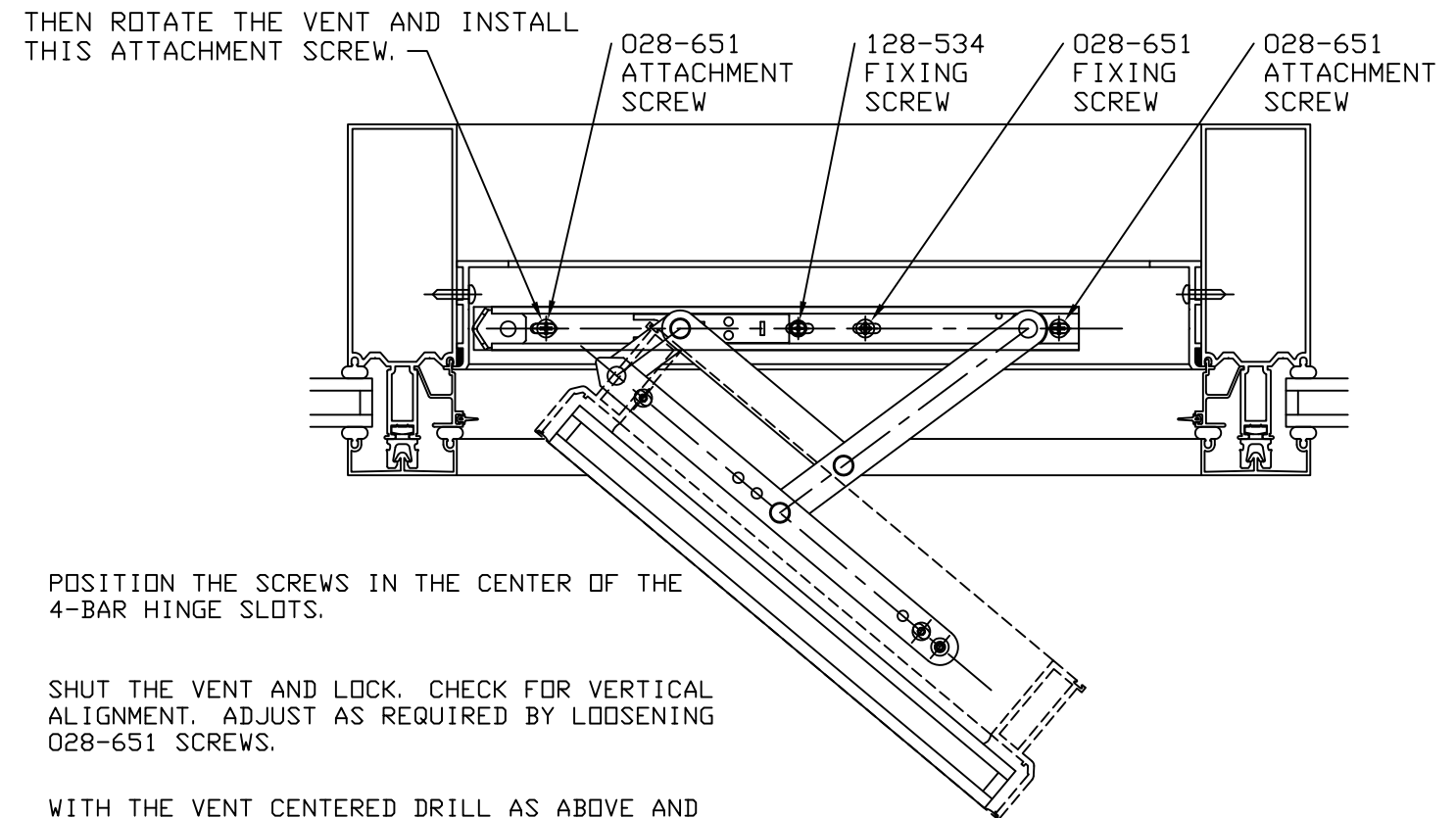
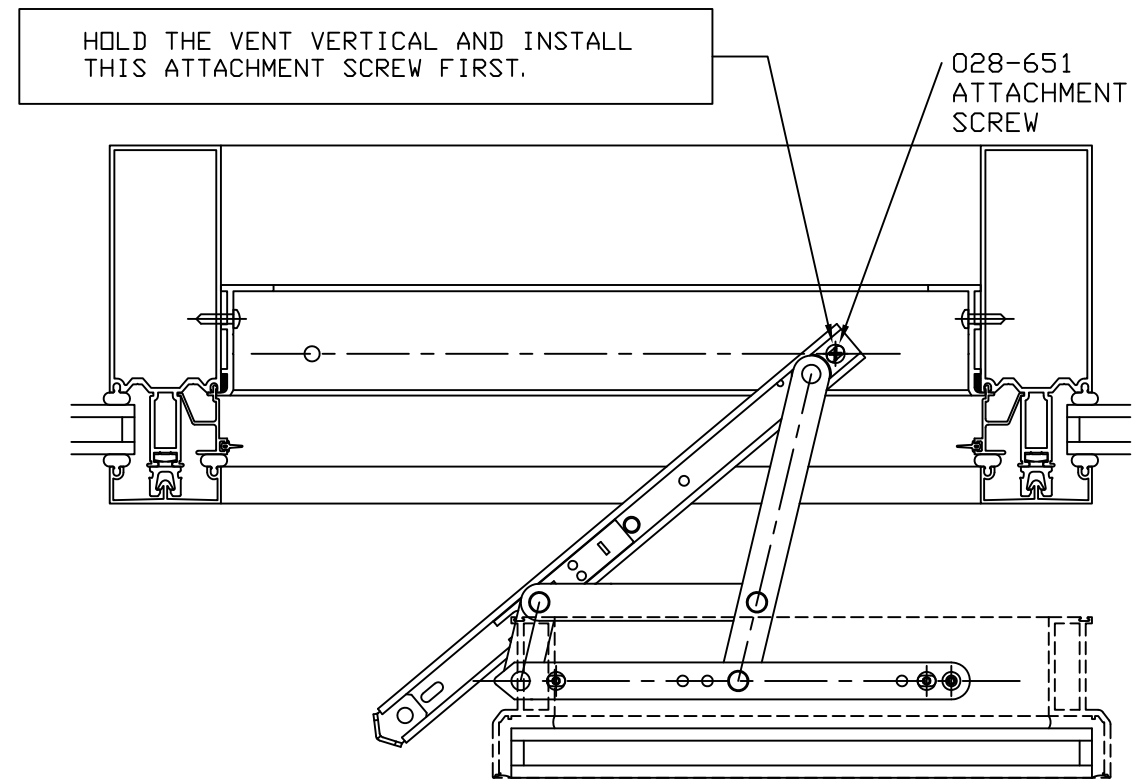
AFTER VENTS ARE INSTALLED ADJUST VENT KEEPERS AS REQUIRED

<p>2250 L•R GLASSVENT INSTALLATION INSTRUCTIONS CASEMENTS</p>	<p>95435-041 11/03/14</p>
	<p>DRAWING:</p>
	<p>ORDER:</p>
	<p>SHT:</p>
<p>PART NUMBER 250-979 2 OF 3</p>	

INSTALL GLAZED VENT

BEFORE INSTALLING VENT DRILL HOLES IN THE MULLIONS USING THE REMAINING ADAPTER HOLES AS PILOTS. USE A #26 DRILL 0.147 DIA.

INSTALL THE VENT BY SCREW APPLYING THE 4-BAR HINGES TO THE JAMBS USING 028-651 SCREWS #10 X 3/4 PAN HEAD TYPE AB. APPLY SEALANT TO THE SCREW HOLES BEFORE INSTALLING ARM AND SCREWS.



POSITION THE SCREWS IN THE CENTER OF THE 4-BAR HINGE SLOTS.

SHUT THE VENT AND LOCK. CHECK FOR VERTICAL ALIGNMENT. ADJUST AS REQUIRED BY LOOSENING 028-651 SCREWS.

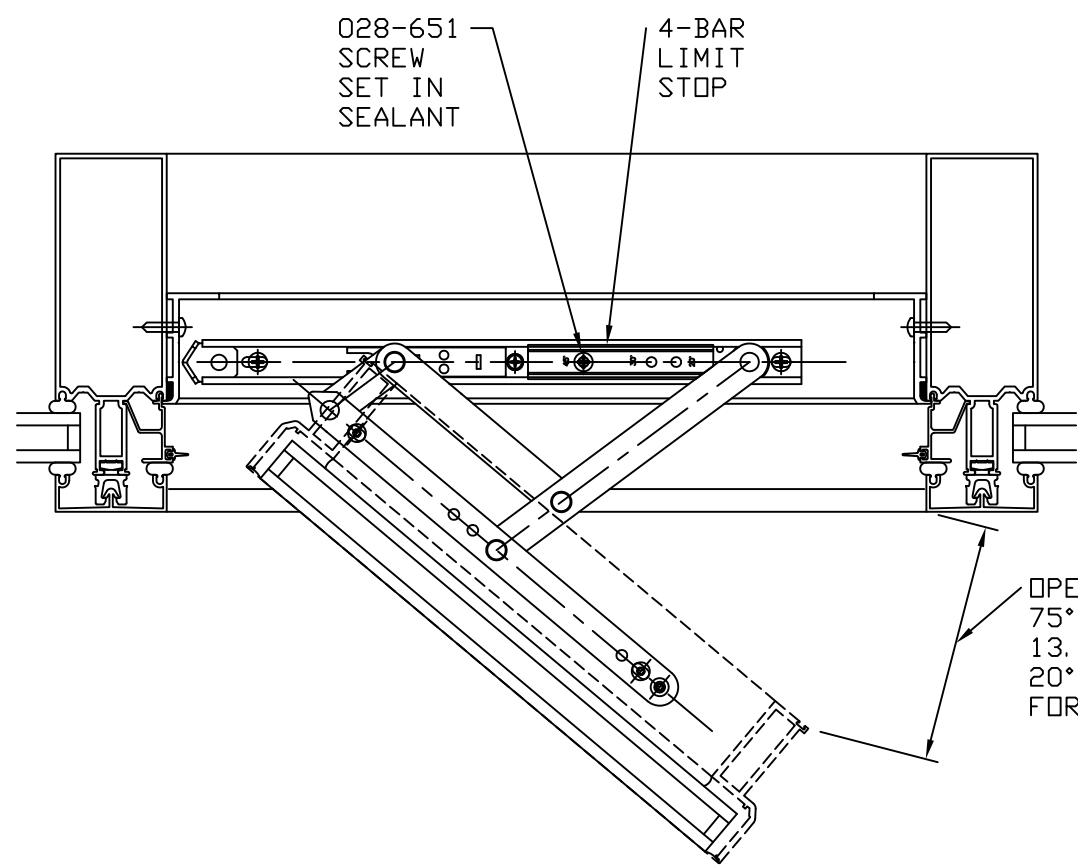
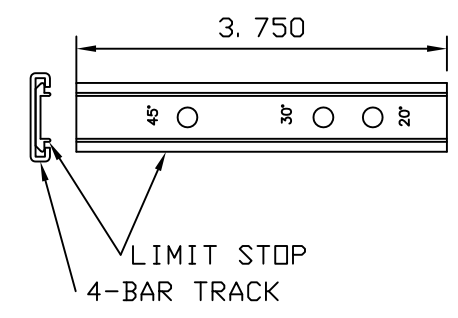
WITH THE VENT CENTERED DRILL AS ABOVE AND INSTALL 028-651 & 128-534 FIXING SCREWS. SET THE SCREW IN SEALANT.

INSTALL 4-BAR LIMIT STOPS ON DLO'S 20.500" AND OVER

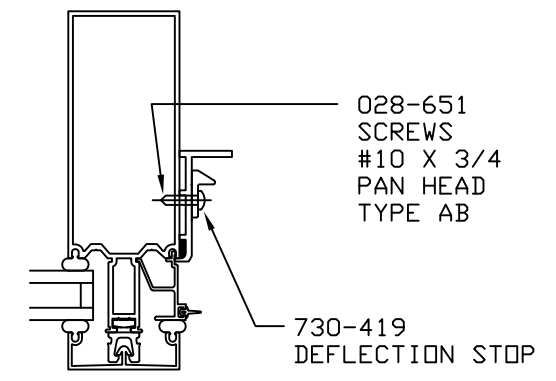
THE LIMIT STOP IS FURNISHED 3-3/4" LONG. ADJUST AS REQUIRED TO LIMIT THE OPENING TO APPROXIMATELY 20°, 30° OR 45°.

DRILL 0.147 DIA. HOLES (#26 DRILL) AND INSTALL WITH 028-651 SCREWS, #10 X 3/4 PAN HEAD TYPE AB

THE 4-BAR HINGE HAS A PRE-PUNCHED HOLE FOR THE 028-651 SCREWS.



ADJUST DEFLECTION STOP



WITH THE VENT OPEN, LOOSEN SCREWS SO STOP WILL SLIDE. THEN SLIDE DEFLECTION STOP TOWARDS THE INTERIOR. CLOSE VENT AND LOCK. OPEN THE VENT CAREFULLY AND TIGHTEN DEFLECTION STOP SCREW.

<p>2250 L•R GLASSVENT INSTALLATION INSTRUCTIONS CASEMENTS</p>	<p>95435-31 12/10/03</p>
	<p>DRAWING:</p>
	<p>ORDER:</p>
	<p>SHT:</p>
<p>PART NUMBER 250-979 3 OF 3</p>	