

CONFIDENTIAL AND PROPRIETARY INFORMATION
KAWNEER COMPANY INC.

THESE DRAWINGS ARE THE SOLE AND EXCLUSIVE PROPERTY OF KAWNEER AND CONTAIN SENSITIVE, PRIVILEGED OR CONFIDENTIAL INFORMATION WHICH MAY BE USED ONLY FOR ITS BENEFIT. THE DISCLOSURE OF THESE DRAWINGS TO UNAUTHORIZED PERSONS IS STRICTLY PROHIBITED. THIS DOCUMENT AND ALL COPIES MUST BE RETURNED UPON DEMAND.
© COPYRIGHT KAWNEER COMPANY, INC., 2014

USE THESE INSTRUCTIONS IN CONJUNCTION WITH INSTALLATION INSTRUCTIONS 182970, CORNER INSTRUCTIONS 182972 AND GLASSvent™ UT WINDOW INSTALLATION INSTRUCTION 386990.

REFERENCE APPROVED SHOP DRAWINGS FOR VERTICAL LENGTHS AND HORIZONTAL LOCATIONS. REFERENCE SHOP DRAWINGS AND 182970 INSTALLATION INSTRUCTIONS.

INSTALL PERIMETER FILLER FOR GLASSvent™ UT WINDOW AT JAMB / INTERMEDIATE VERTICAL

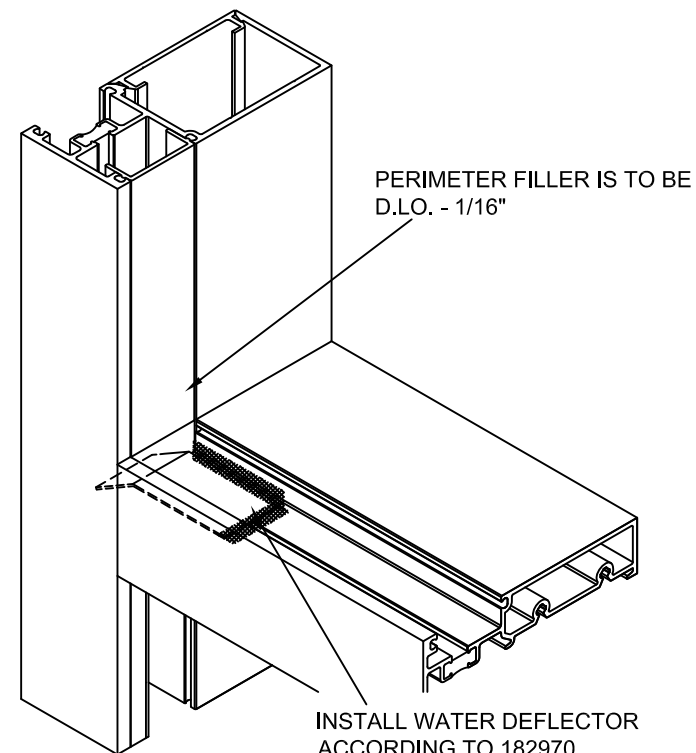
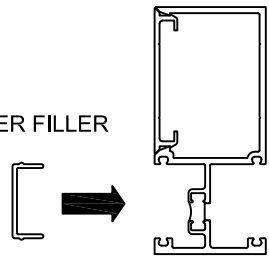
PERIMETER FILLER TO BE CUT TO D.L.O HEIGHT - 1/16".

INSTALLING THE PERIMETER FILLER INTO JAMB/ VERTICAL INTERMEDIATE AND MAKE SURE TO CENTER IT VERTICALLY.

APPLY SEALANT BETWEEN MULLION AND PERIMETER FILLER TO KEEP THE PERIMETER FILLER FROM SLIDING.

182101 STANDARD MULLION SHOWN
182102 HEAVY MULLION SIMILAR

163314 PERIMETER FILLER



PERIMETER FILLER IS TO BE D.L.O. - 1/16"

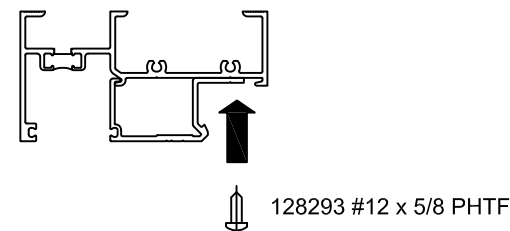
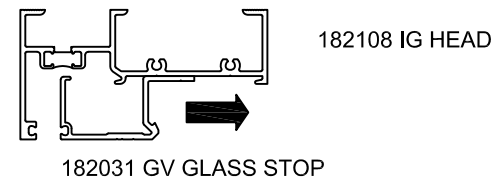
INSTALL WATER DEFLECTOR ACCORDING TO 182970, STANDARD INSTALLATION INSTRUCTION

INSTALL PERIMETER FILLER FOR GLASSvent™ UT WINDOW AT HEAD / INTERMEDIATE HORIZONTAL

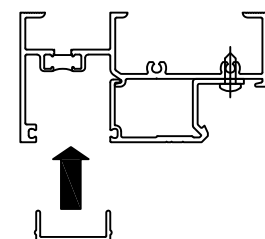
GV GLASS STOP, PERIMETER FILLER AND SNAP COVER ARE TO BE CUT TO D.L.O WIDTH - 1/16".

INSIDE GLAZED

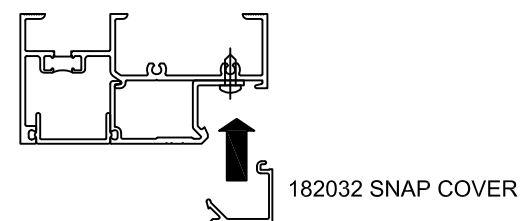
INSTALL GV GLASS STOP ONTO HEAD HORIZONTAL USING #12-5/8 PHTF SCREWS. SPACING AND LOCATION OF SCREWS ARE ACCORDING TO APPROVED SHOP DRAWING.



SNAP PERIMETER FILLER INTO GLAZING POCKET AND MAKE SURE TO CENTER IT HORIZONTALLY.



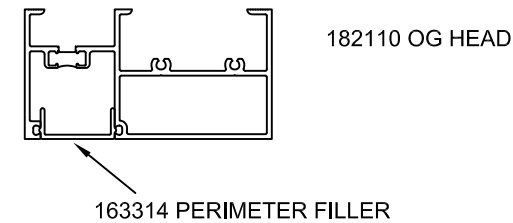
INSTALL SNAP COVER INTO GV GLASS STOP AND HEAD HORIZONTAL, AS SHOWN AND MAKE SURE TO CENTER IT HORIZONTALLY.



INSTALL PERIMETER FILLER FOR GLASSvent™ UT WINDOW AT HEAD / INTERMEDIATE HORIZONTAL

FOR OUTSIDE GLAZED APPLICATION, INSTALL FILLER INTO GLAZING POCKET AND MAKE SURE TO CENTER IT HORIZONTALLY.

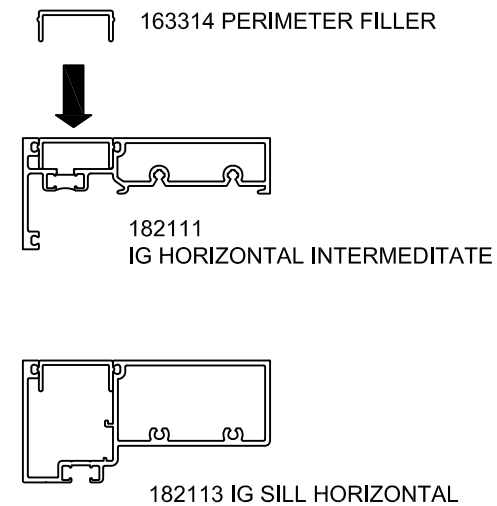
OUTSIDE GLAZED



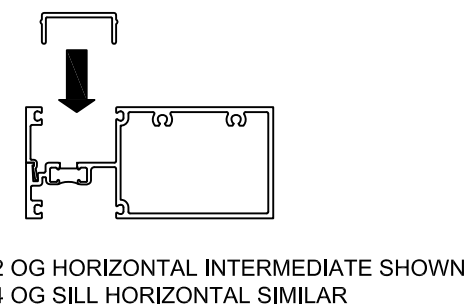
INSTALL PERIMETER FILLER FOR GLASSvent™ UT WINDOW AT SILL / INTERMEDIATE HORIZONTAL

INSTALLING PERIMETER FILLER INTO SILL/ INTERMEDIATE HORIZONTALLY. THE PERIMETER FILLER IS TO BE CUT TO D.L.O WIDTH - 1/16".

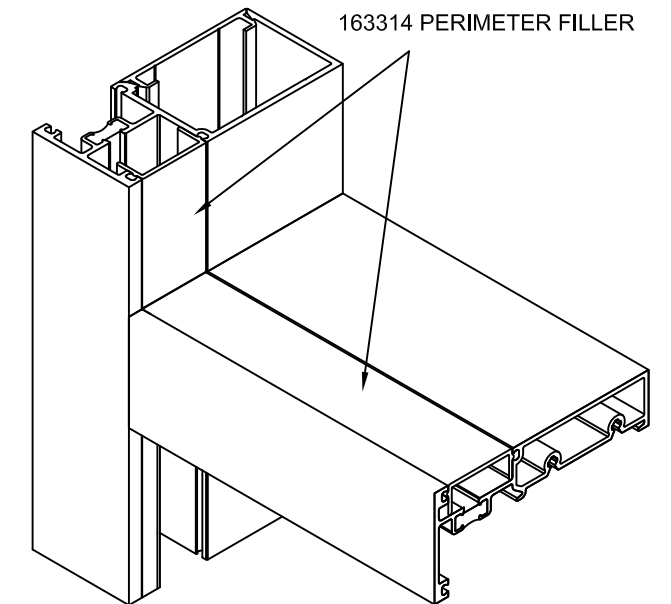
INSIDE GLAZED



OUTSIDE GLAZED



INSTALL PERIMETER FILLER FOR GLASSvent™ UT WINDOW



FG 501T
GLASSvent™ UT APP
INSTALLATION
INSTRUCTIONS

Product Engineering & Development

95527-004
12/26/14