

CONFIDENTIAL AND PROPRIETARY INFORMATION
KAWNEER COMPANY INC.

THESE DRAWINGS ARE THE SOLE AND EXCLUSIVE PROPERTY OF KAWNEER AND CONTAIN SENSITIVE, PRIVILEGED OR CONFIDENTIAL INFORMATION WHICH MAY BE USED ONLY FOR ITS BENEFIT. THE DISCLOSURE OF THESE DRAWINGS TO UNAUTHORIZED PERSONS IS STRICTLY PROHIBITED. THIS DOCUMENT AND ALL COPIES MUST BE RETURNED UPON DEMAND.
© COPYRIGHT KAWNEER COMPANY, INC., 2014

NOTES:

USE THESE INSTRUCTIONS IN CONJUNCTION WITH INSTALLATION INSTRUCTIONS 178970.

REFER TO DOOR INSTALLATION INSTRUCTIONS FOR HANGING DOOR AND ATTACHING DOOR HARDWARE.

INSTALL TUBULAR FRAME MEMBERS.

GLAZE SIDELITES AND TRANSOM LITES.

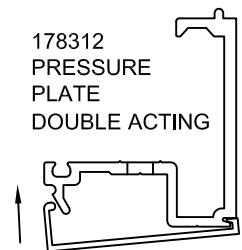
INSTALL VERTICAL PRESSURE PLATES.

NOTCH VERTICAL GASKET TRIM LIP AT DOOR HEADER. SEE DETAIL ON NEXT SHEET.

INSTALL HORIZONTAL PRESSURE PLATES.

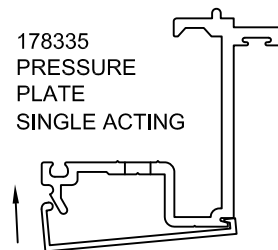
SEAL ALL JOINTS AS SHOWN.

INSTALL EXTERIOR COVERS WHILE JOINT SEALS ARE WET.



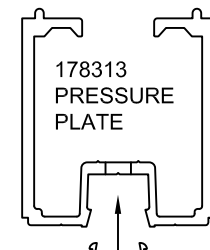
178312
PRESSURE
PLATE
DOUBLE ACTING

178032 COVER



178335
PRESSURE
PLATE
SINGLE ACTING

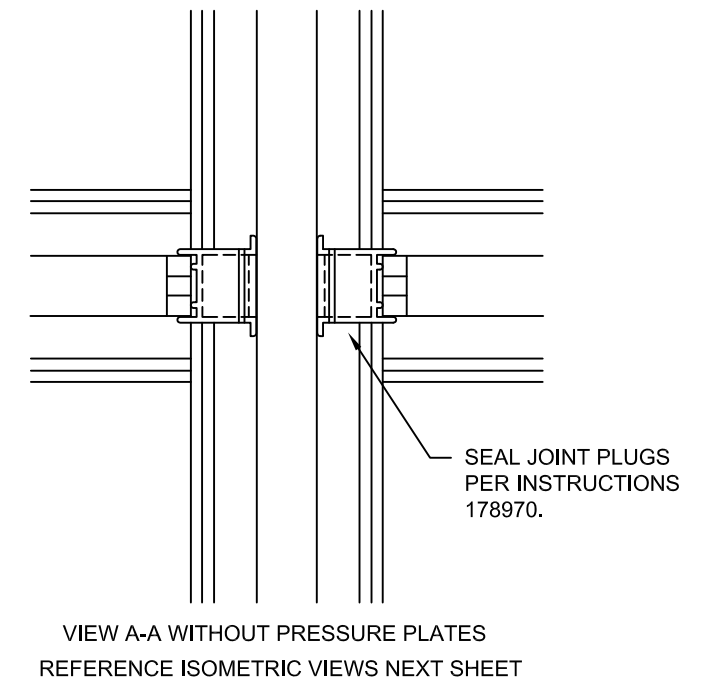
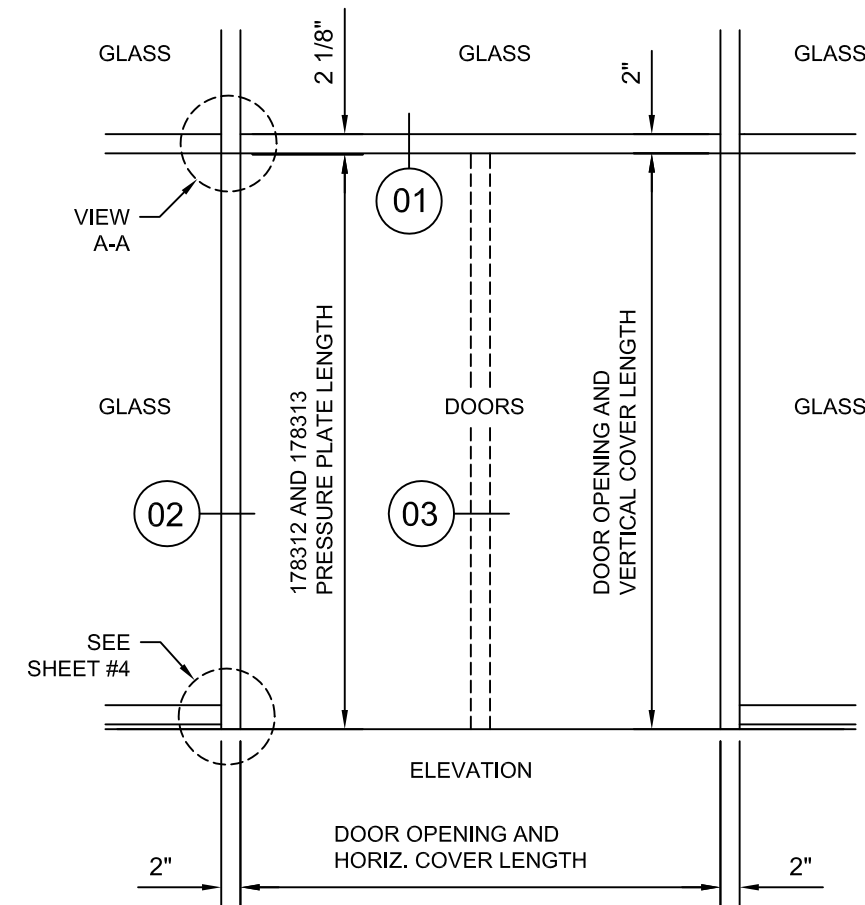
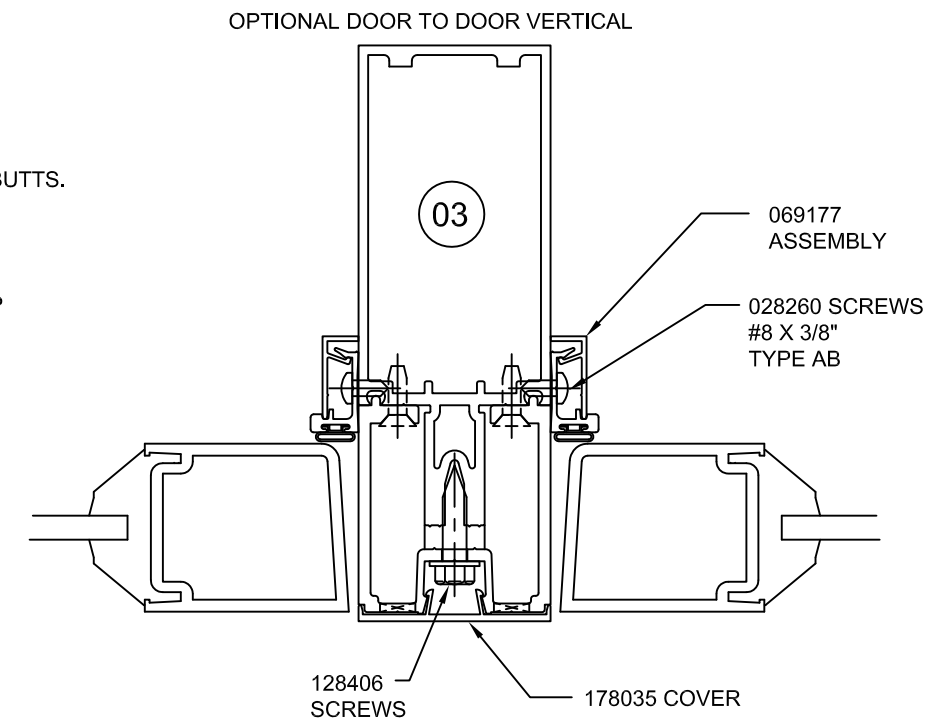
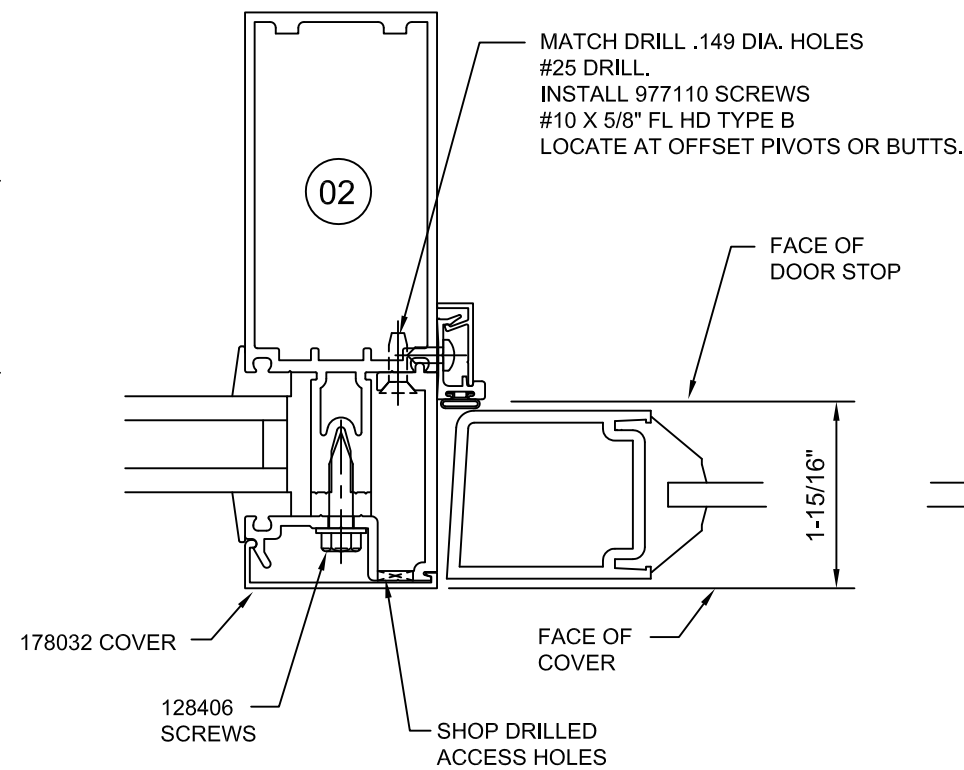
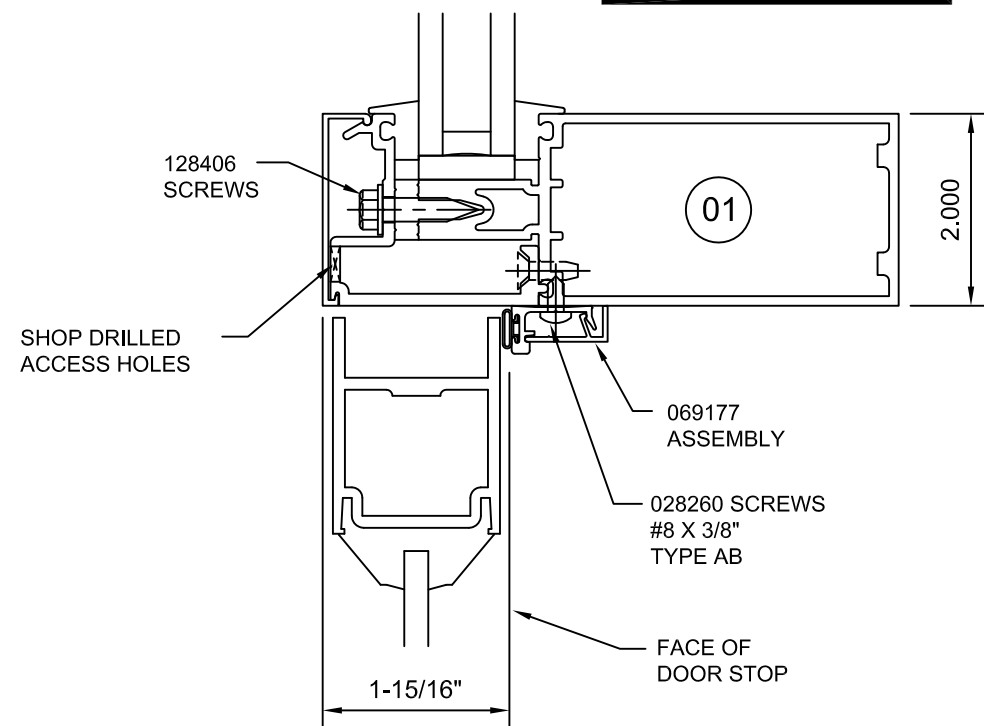
178032 COVER



178313
PRESSURE
PLATE

178035 COVER

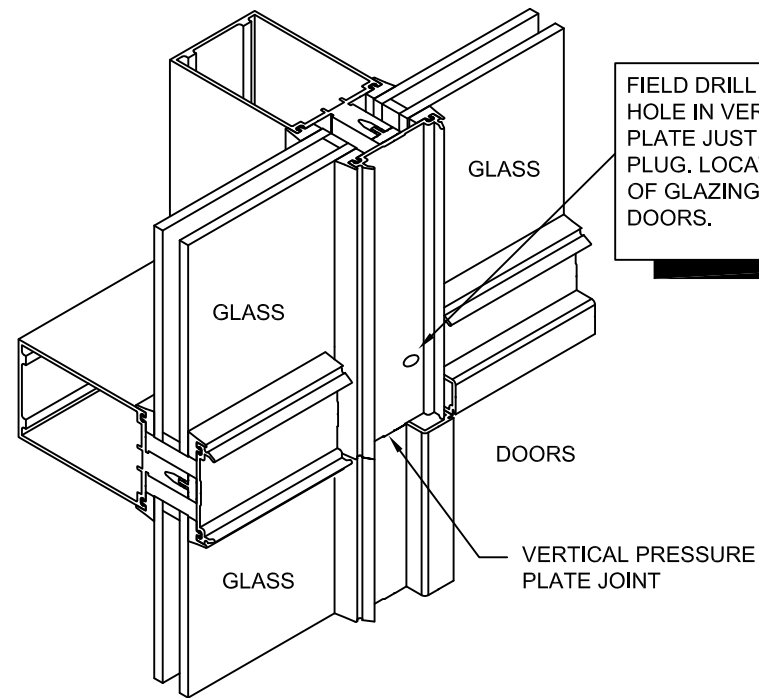
COVERS TO BE INSTALLED WITH HAND PRESSURE ONLY USING CARE NOT TO DENT THE EXTRUSION.



		1620 DOOR FRAMING INSTRUCTIONS TRANSOM ADAPTER	
Product Engineering & Development		178974 SHEET 01 OF 04	
95525-005 02/21/14			

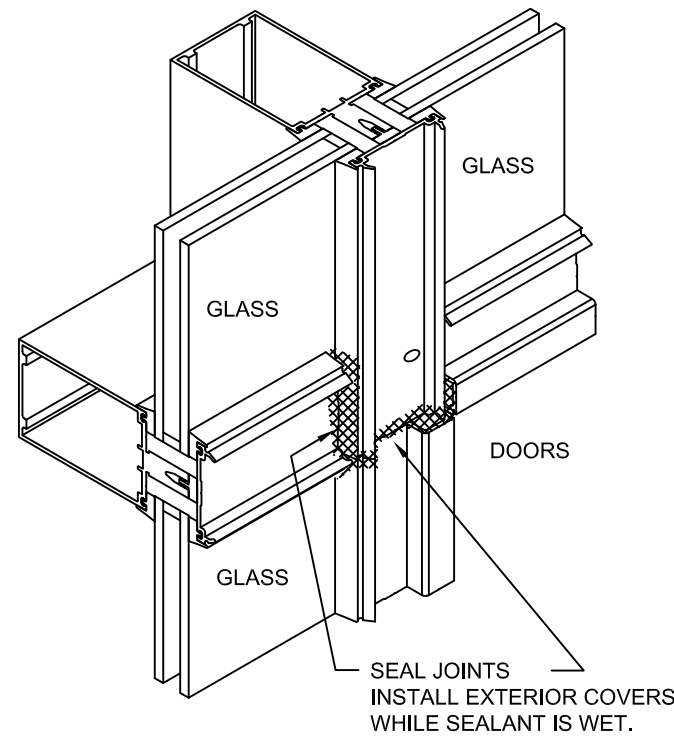
THESE DRAWINGS ARE THE SOLE AND EXCLUSIVE PROPERTY OF KAWNEER AND CONTAIN SENSITIVE, PRIVILEGED OR CONFIDENTIAL INFORMATION WHICH MAY BE USED ONLY FOR ITS BENEFIT. THE DISCLOSURE OF THESE DRAWINGS TO UNAUTHORIZED PERSONS IS STRICTLY PROHIBITED. THIS DOCUMENT AND ALL COPIES MUST BE RETURNED UPON DEMAND.
© COPYRIGHT KAWNEER COMPANY, INC., 2014

ISOMETRIC VIEW A-A



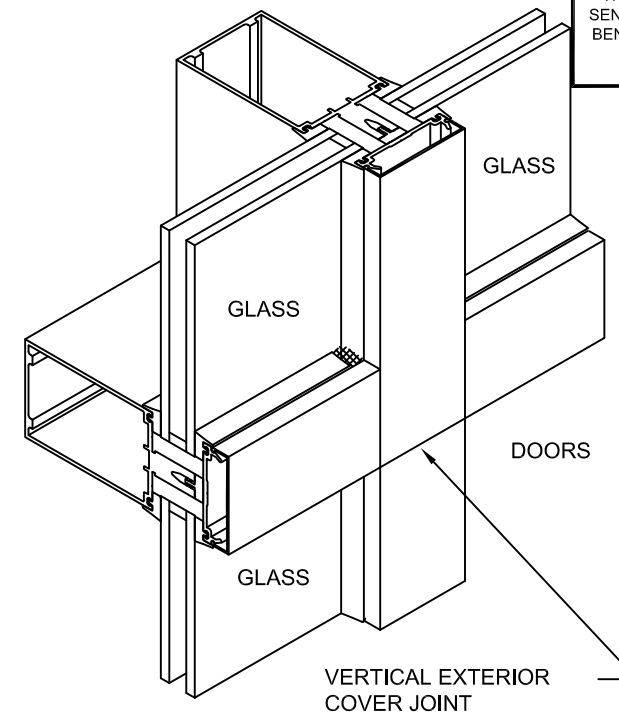
FIELD DRILL 5/16" DIA. WEEP HOLE IN VERTICAL PRESSURE PLATE JUST ABOVE THE JOINT PLUG. LOCATE AT BOTH ENDS OF GLAZING POCKET ABOVE DOORS.

ISOMETRIC VIEW A-A



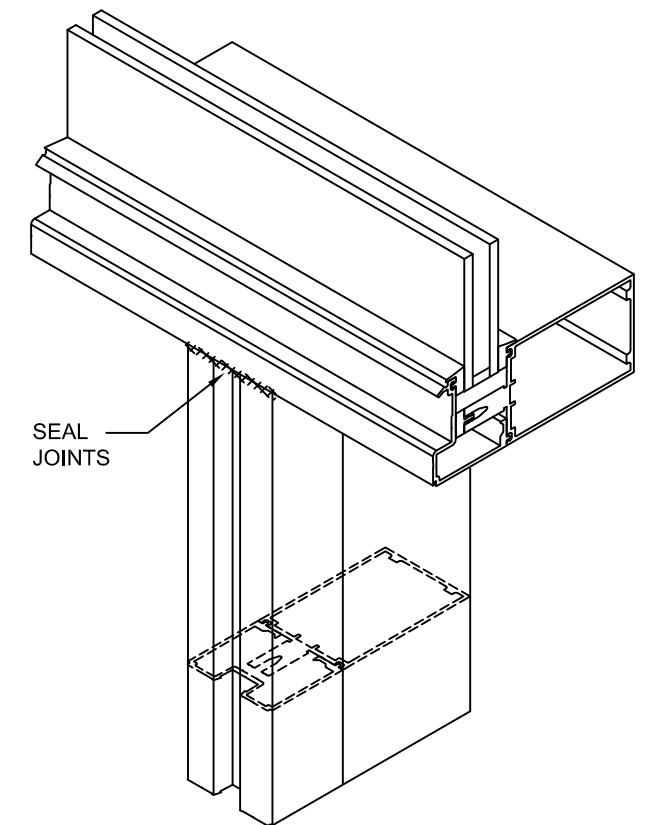
SEAL JOINTS
INSTALL EXTERIOR COVERS
WHILE SEALANT IS WET.

ISOMETRIC VIEW A-A



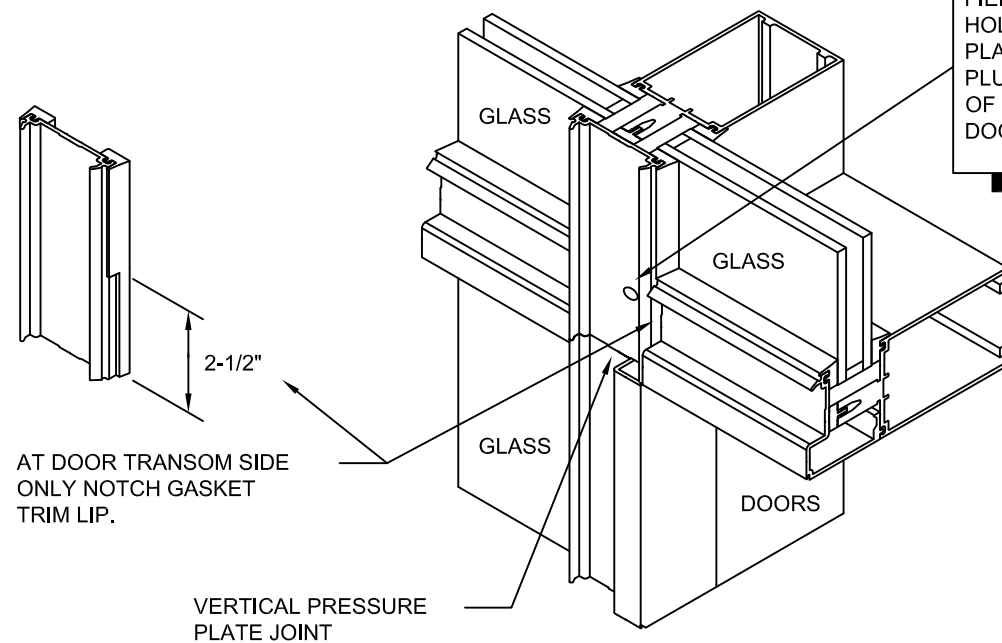
VERTICAL EXTERIOR
COVER JOINT

DETAIL AT TOP OF
OPTIONAL DOOR TO DOOR
VERTICAL.



SEAL JOINTS

ISOMETRIC VIEW A-A

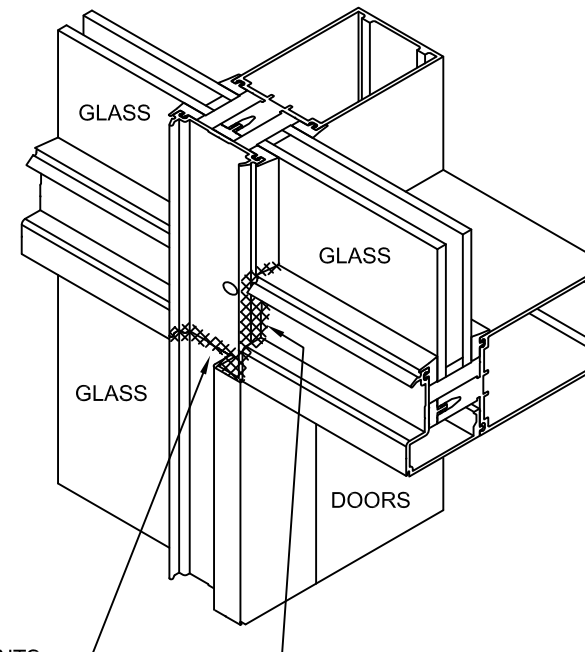


FIELD DRILL 5/16" DIA. WEEP HOLE IN VERTICAL PRESSURE PLATE JUST ABOVE THE JOINT PLUG. LOCATE AT BOTH ENDS OF GLAZING POCKET ABOVE DOORS.

AT DOOR TRANSOM SIDE
ONLY NOTCH GASKET
TRIM LIP.

VERTICAL PRESSURE
PLATE JOINT

ISOMETRIC VIEW A-A



SEAL JOINTS
INSTALL EXTERIOR COVERS
WHILE SEALANT IS WET.

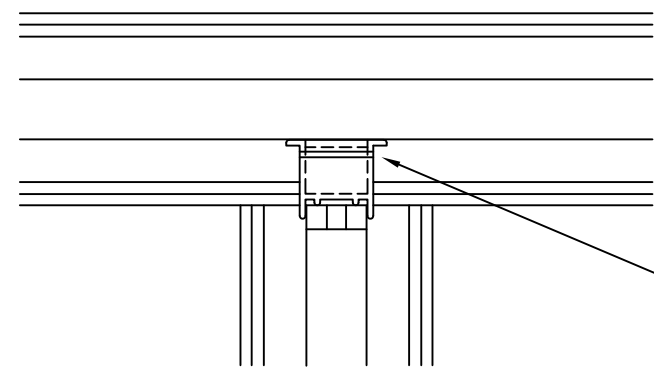
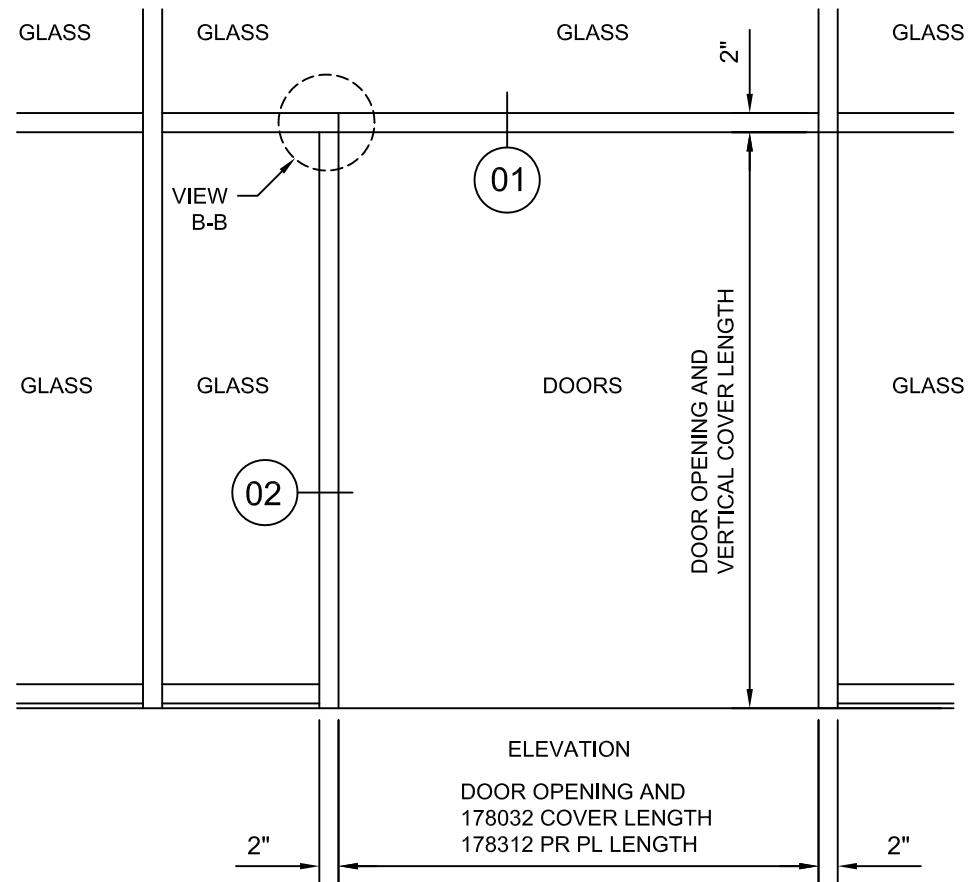


1620 DOOR
FRAMING
INSTRUCTIONS
TRANSOM ADAPTER

Product Engineering & Development

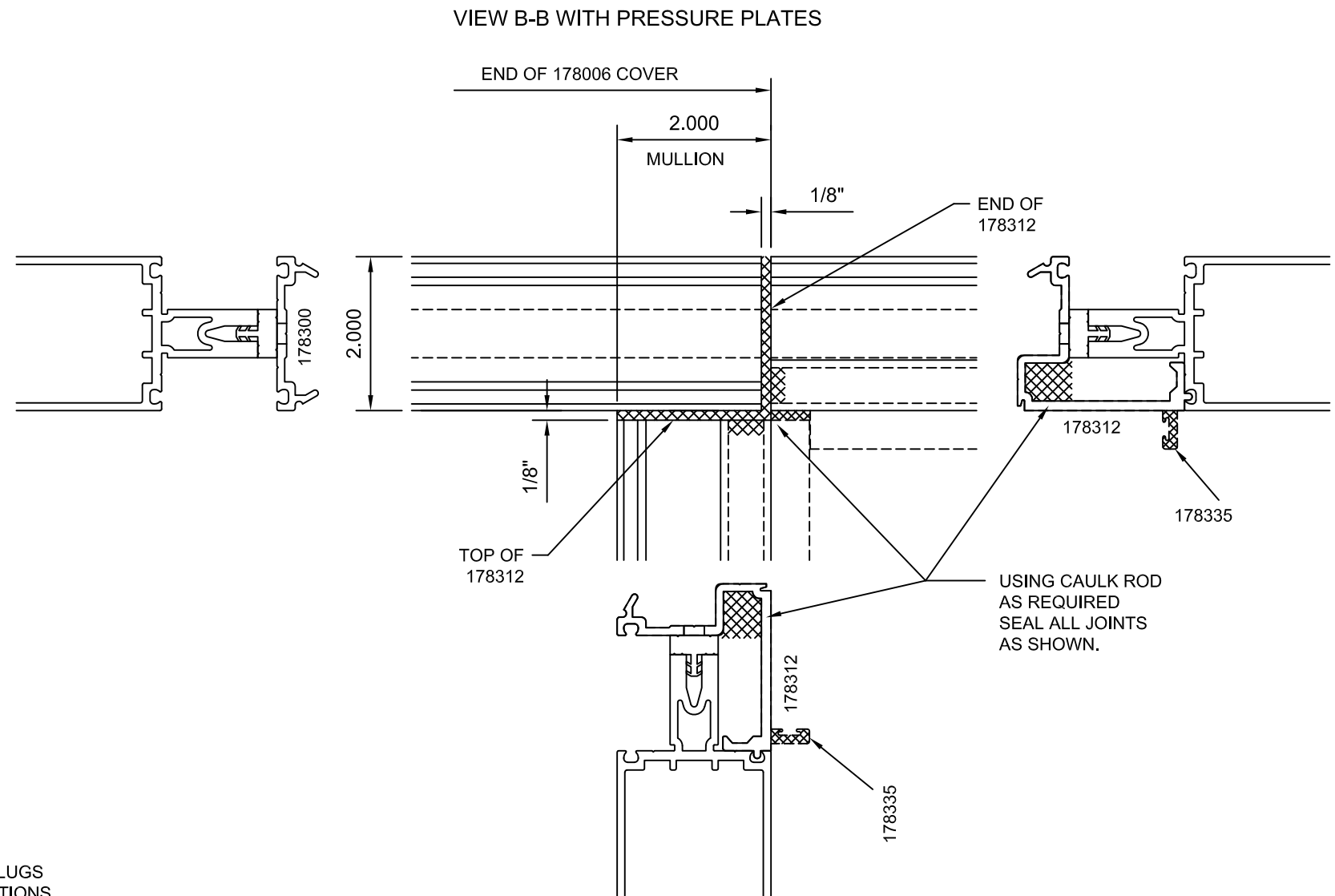
95525-005
02/21/14

THESE DRAWINGS ARE THE SOLE AND EXCLUSIVE PROPERTY OF KAWNEER AND CONTAIN SENSITIVE, PRIVILEGED OR CONFIDENTIAL INFORMATION WHICH MAY BE USED ONLY FOR ITS BENEFIT. THE DISCLOSURE OF THESE DRAWINGS TO UNAUTHORIZED PERSONS IS STRICTLY PROHIBITED. THIS DOCUMENT AND ALL COPIES MUST BE RETURNED UPON DEMAND.
© COPYRIGHT KAWNEER COMPANY, INC., 2014



VIEW B-B WITHOUT PRESSURE PLATES

SEAL JOINT PLUGS
PER INSTRUCTIONS
178970.

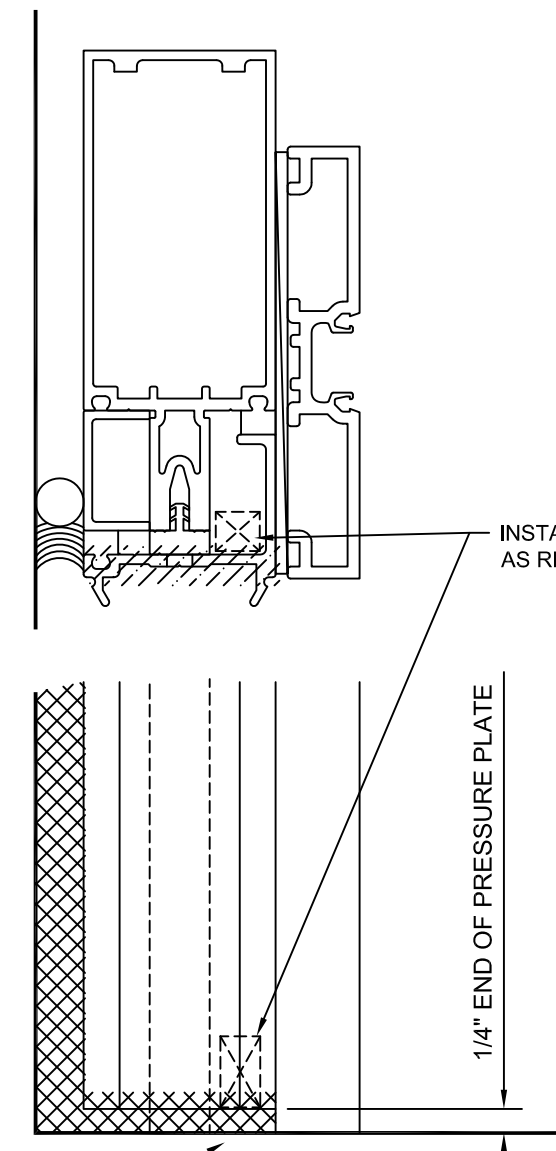
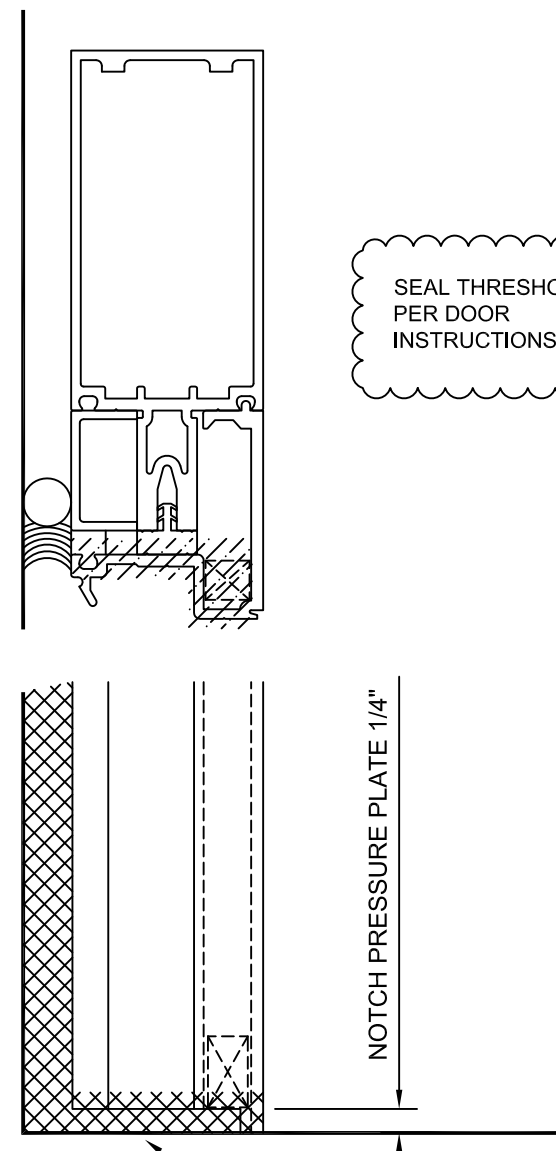
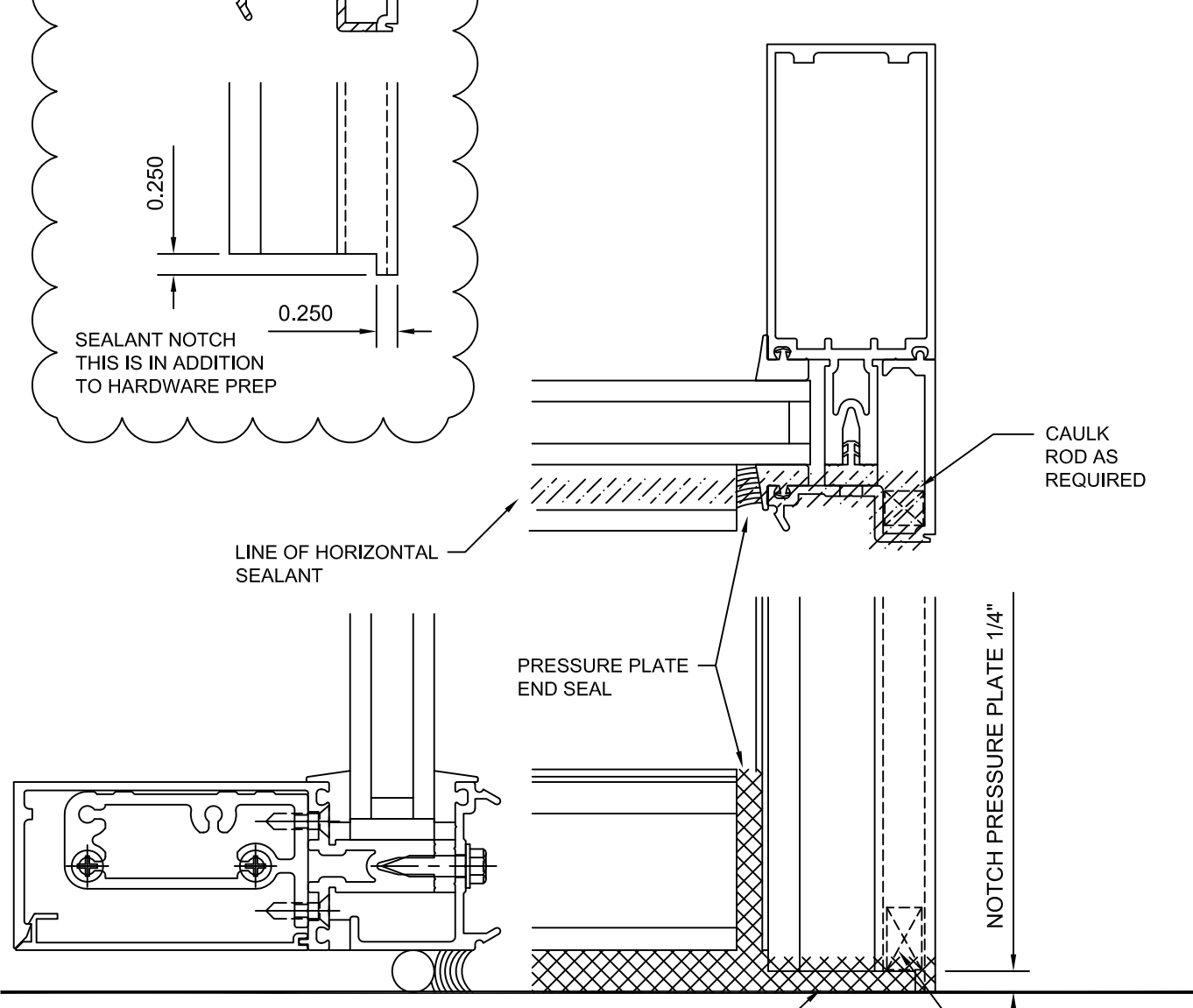
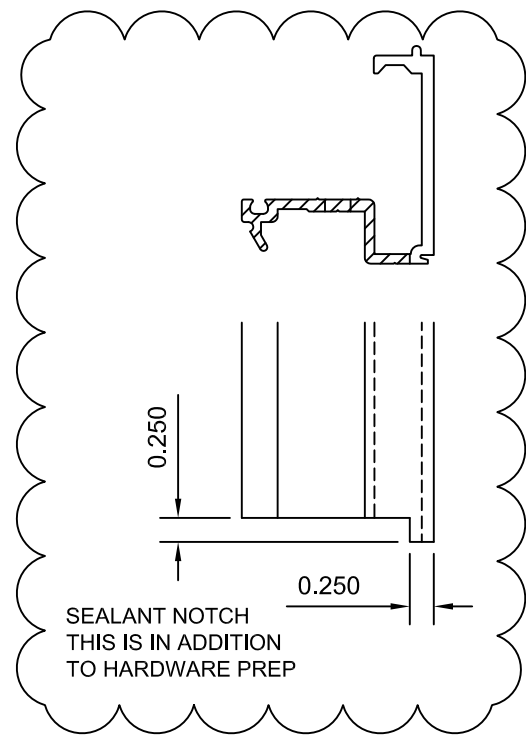


USING CAULK ROD
AS REQUIRED
SEAL ALL JOINTS
AS SHOWN.

		1620 DOOR FRAMING INSTRUCTIONS TRANSOM ADAPTER
Product Engineering & Development		
95525-005 02/21/14	178974 SHEET 03 OF 04	

INSTALL VERTICAL COVERS
WHILE SEALANT IS WET

SEAL THRESHOLD
PER DOOR
INSTRUCTIONS



RUN PERIMETER SEAL PRESSURE PLATE AND UNDER VERTICAL TOOL SEALANT ONTO FACE OF PRESSURE PLATE
CAULK ROD

RUN PERIMETER SEAL PRESSURE PLATE AND UNDER VERTICAL TOOL SEALANT ONTO FACE OF PRESSURE PLATE

	1620 DOOR FRAMING INSTRUCTIONS TRANSOM ADAPTER
Product Engineering & Development	
95525-005 02/21/14	178974 SHEET 04 OF 04