

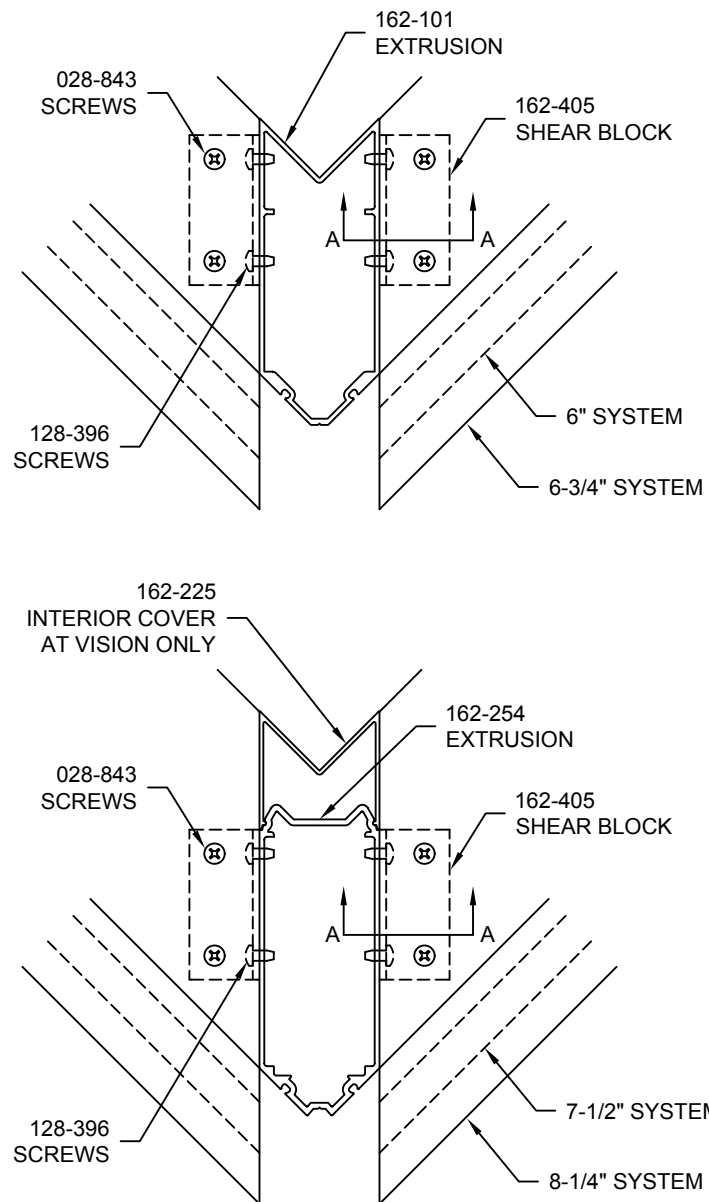
USE THESE INSTRUCTIONS IN CONJUNCTION WITH INSTALLATION INSTRUCTIONS 171911.

90° OUTSIDE CORNER

CORNER NOTES:
GLAZING TEMPORARIES ARE NOT INCLUDED FOR CORNER CONDITIONS.

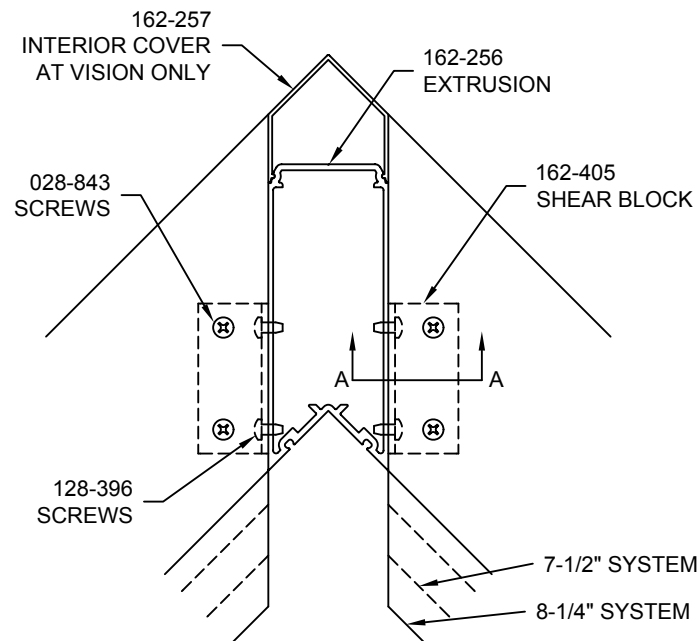
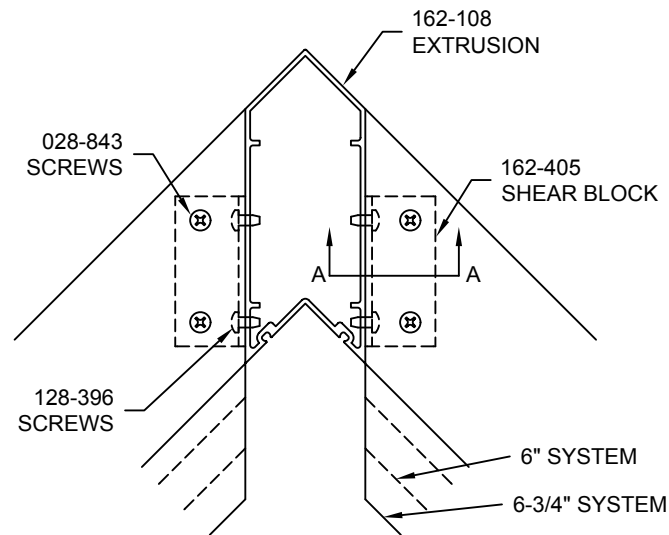
NOTE:
USE TUBULAR HORIZONTALS WHERE POSSIBLE. WHEN USING OPEN BACK HORIZONTALS AT CORNER MULLIONS, OPEN BACK FILLER AND HORIZONTAL MAY INTERFERE WITH SHEAR BLOCK. NOTCH PARTS FOR CLEARANCE AS NECESSARY.

SHEAR BLOCK ASSEMBLY

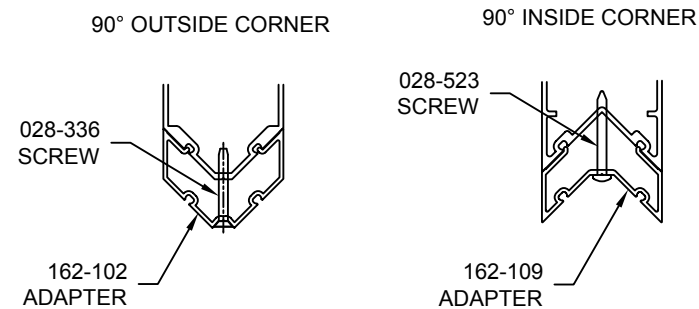


90° INSIDE CORNER

SHEAR BLOCK ASSEMBLY

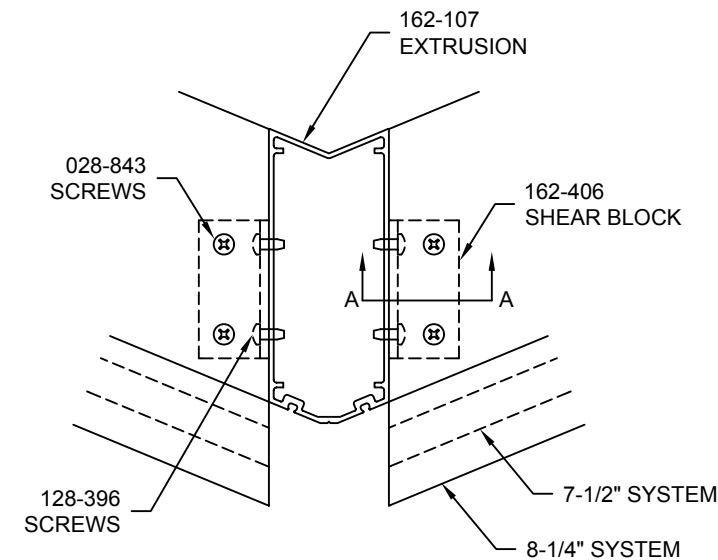
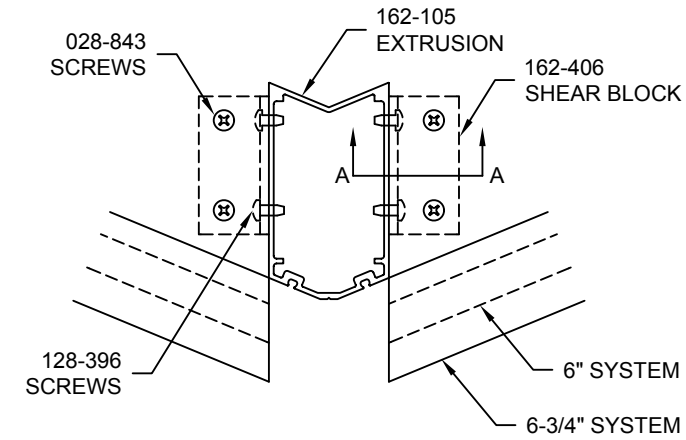


SPANDREL ADAPTERS

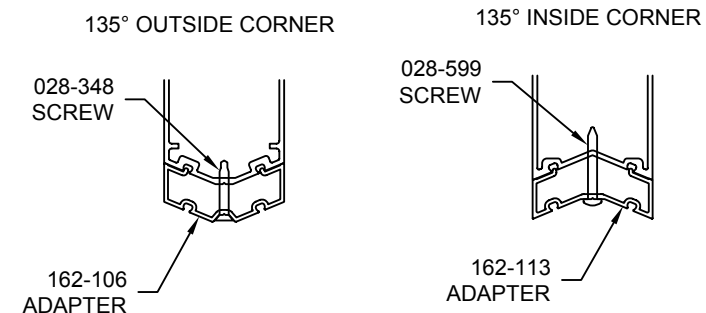


135° OUTSIDE CORNER

SHEAR BLOCK ASSEMBLY



SPANDREL ADAPTERS

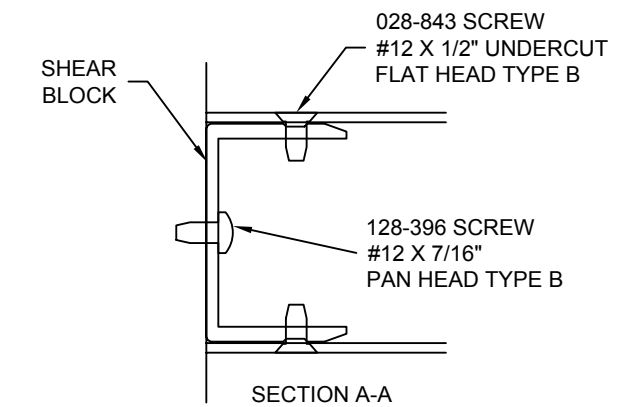
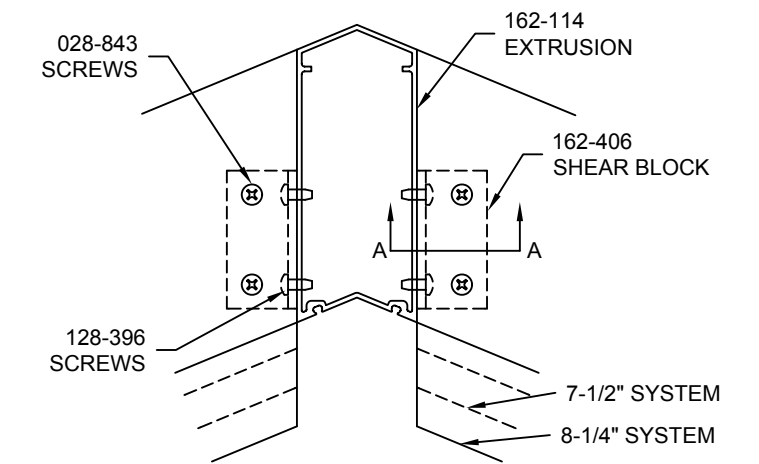
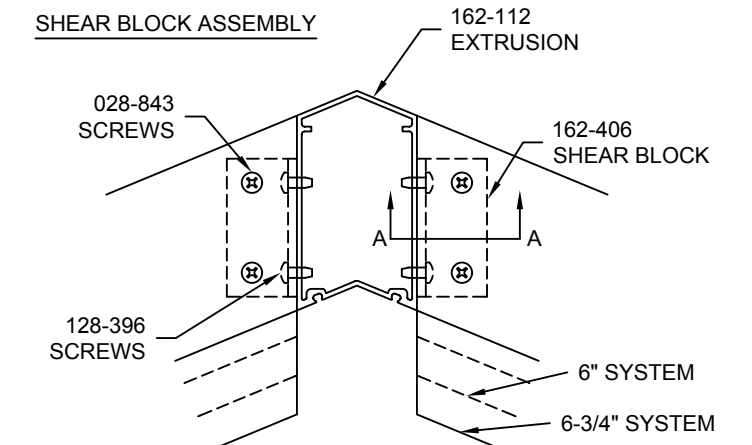


CONFIDENTIAL AND PROPRIETARY INFORMATION
KAWNEER COMPANY INC.

THESE DRAWINGS ARE THE SOLE AND EXCLUSIVE PROPERTY OF KAWNEER AND CONTAIN SENSITIVE, PRIVILEGED OR CONFIDENTIAL INFORMATION WHICH MAY BE USED ONLY FOR ITS BENEFIT. THE DISCLOSURE OF THESE DRAWINGS TO UNAUTHORIZED PERSONS IS STRICTLY PROHIBITED. THIS DOCUMENT AND ALL COPIES MUST BE RETURNED UPON DEMAND.
© COPYRIGHT KAWNEER COMPANY, INC., 2011

135° INSIDE CORNER

SHEAR BLOCK ASSEMBLY



1600UT SYSTEM 2
CORNER
INSTRUCTIONS

Product Engineering & Development

THESE DRAWINGS ARE THE SOLE AND EXCLUSIVE PROPERTY OF KAWNEER AND CONTAIN SENSITIVE, PRIVILEGED OR CONFIDENTIAL INFORMATION WHICH MAY BE USED ONLY FOR ITS BENEFIT. THE DISCLOSURE OF THESE DRAWINGS TO UNAUTHORIZED PERSONS IS STRICTLY PROHIBITED. THIS DOCUMENT AND ALL COPIES MUST BE RETURNED UPON DEMAND.
© COPYRIGHT KAWNEER COMPANY, INC., 2011

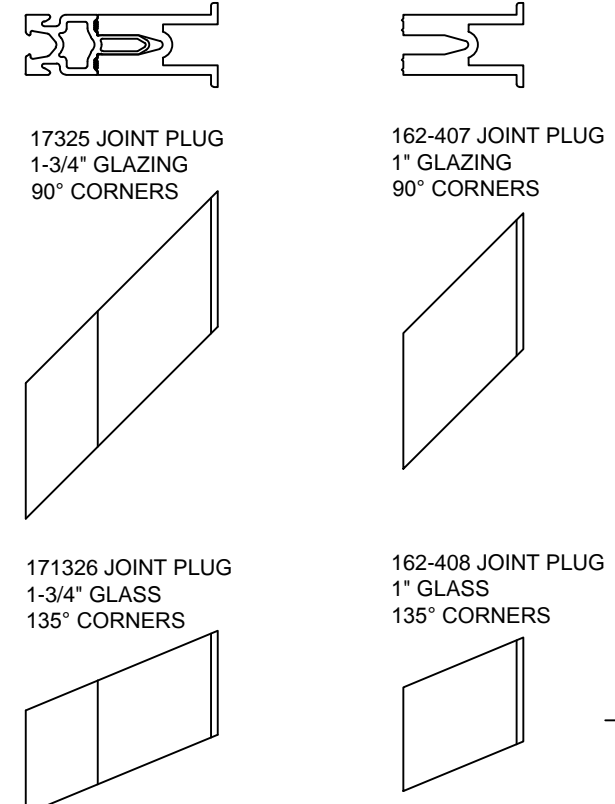
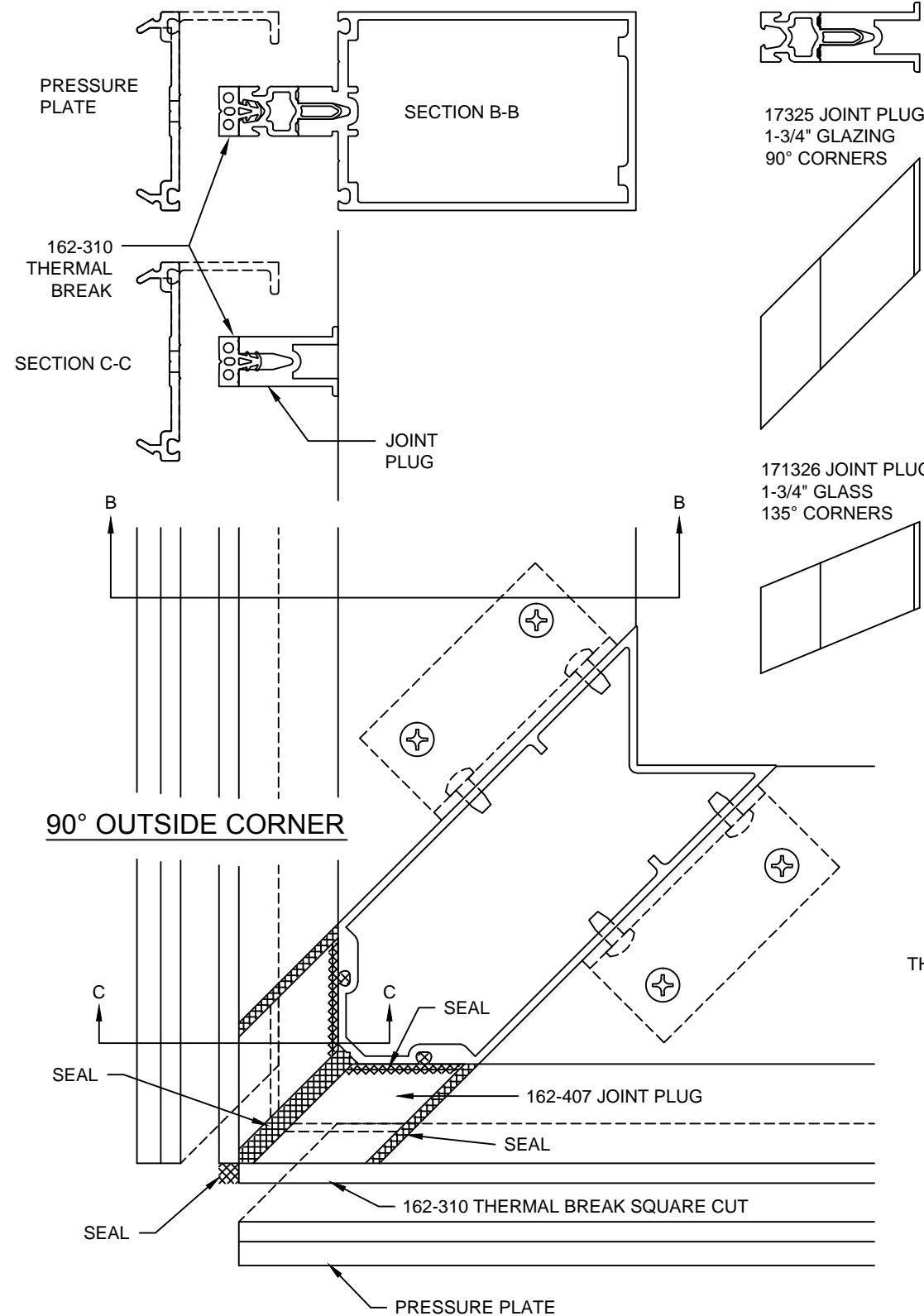
USE THESE INSTRUCTIONS IN CONJUNCTION WITH
INSTALLATION INSTRUCTIONS 171911.

JOINT PLUG ASSEMBLY

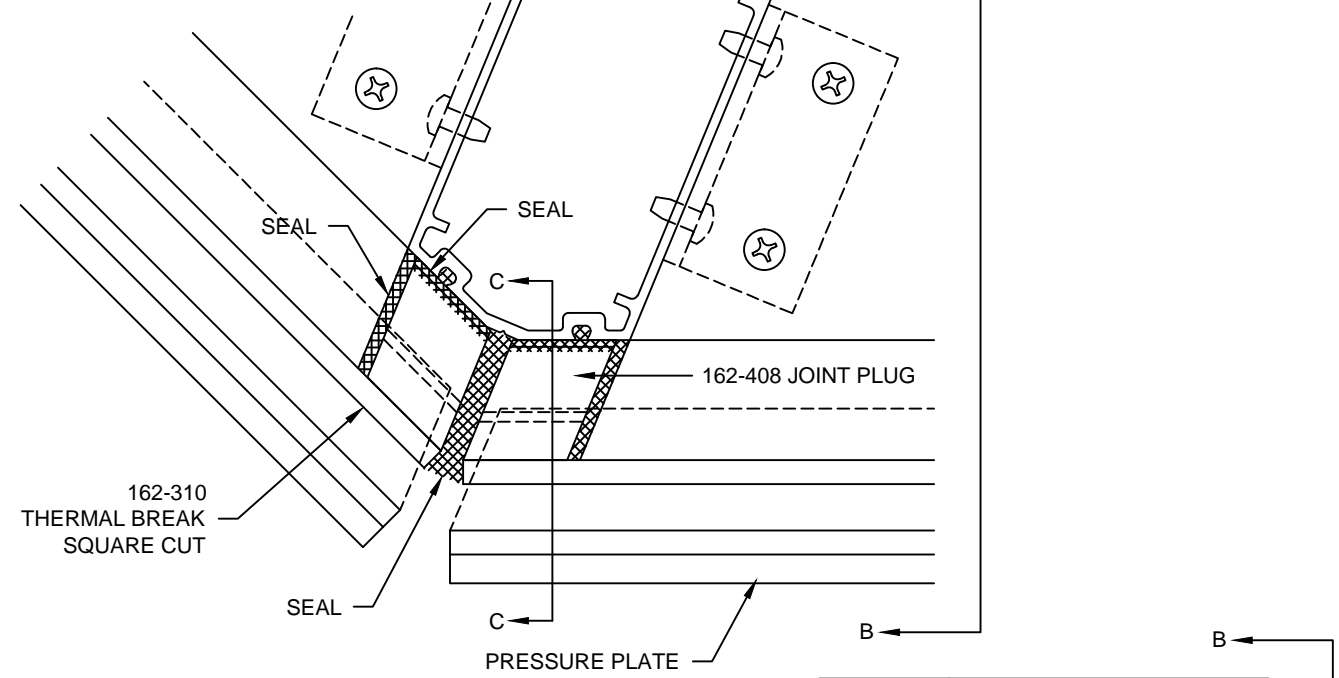
TYPICAL HORIZONTALS
1" GLASS FRAME MEMBERS SHOWN
1-3/4" GLASS FRAME MEMBERS SIMILAR

INSTALLATION SEQUENCE

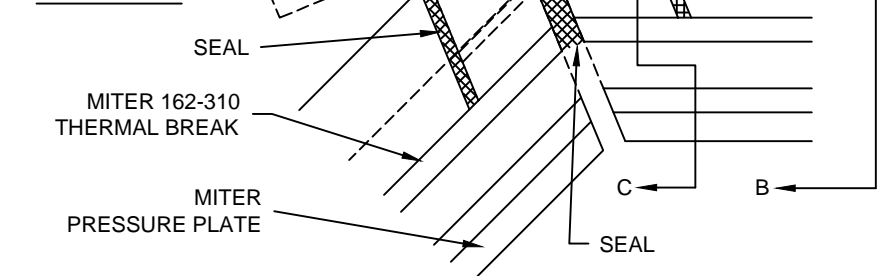
- 1) SEAL VERTICAL MULLION GROOVES AND HORIZONTAL END AS SHOWN IN INSTRUCTIONS 171911 ON SHEET #5, STEP #9.
- 2) INSTALL JOINT PLUGS USING THE 162-310 THERMAL BREAK TO HOLD THE PLUG IN PLACE.
- 3) SEAL JOINT PLUG AND THERMAL BREAK JOINTS AS SHOWN.
- 4) DURING GLAZING, PRESSURE PLATE TO BE CUT AS SHOWN AND COMPLETELY SEALED.



135° OUTSIDE CORNER



135° INSIDE CORNER



KAWNEER		1600UT SYSTEM 2 CORNER INSTRUCTIONS
Product Engineering & Development		
95449-88 05/21/12	171919 (SHEET 02 OF 02)	