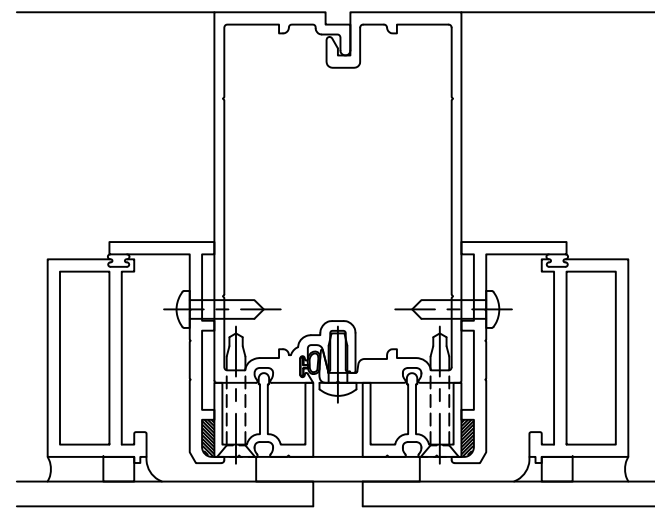
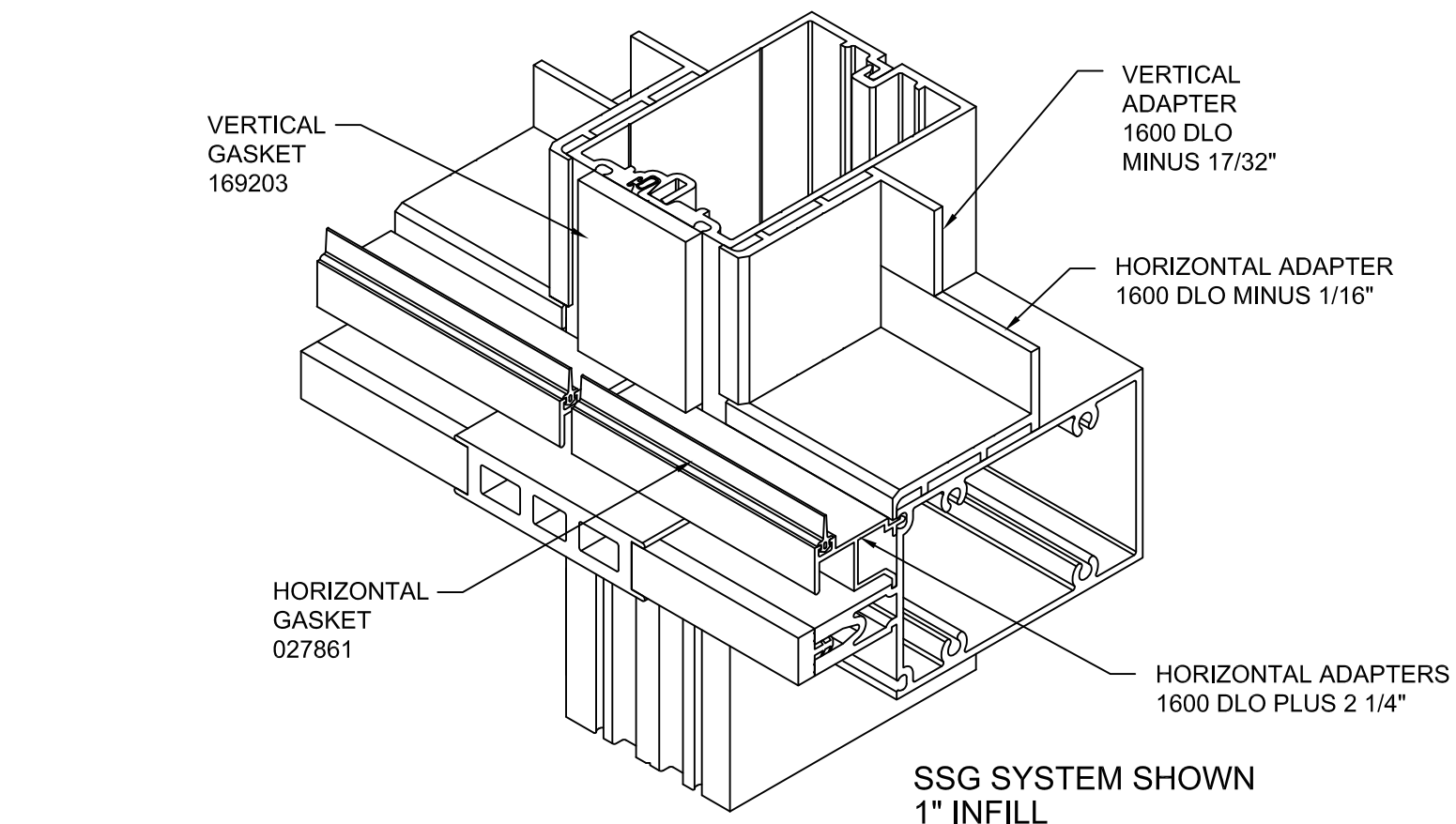
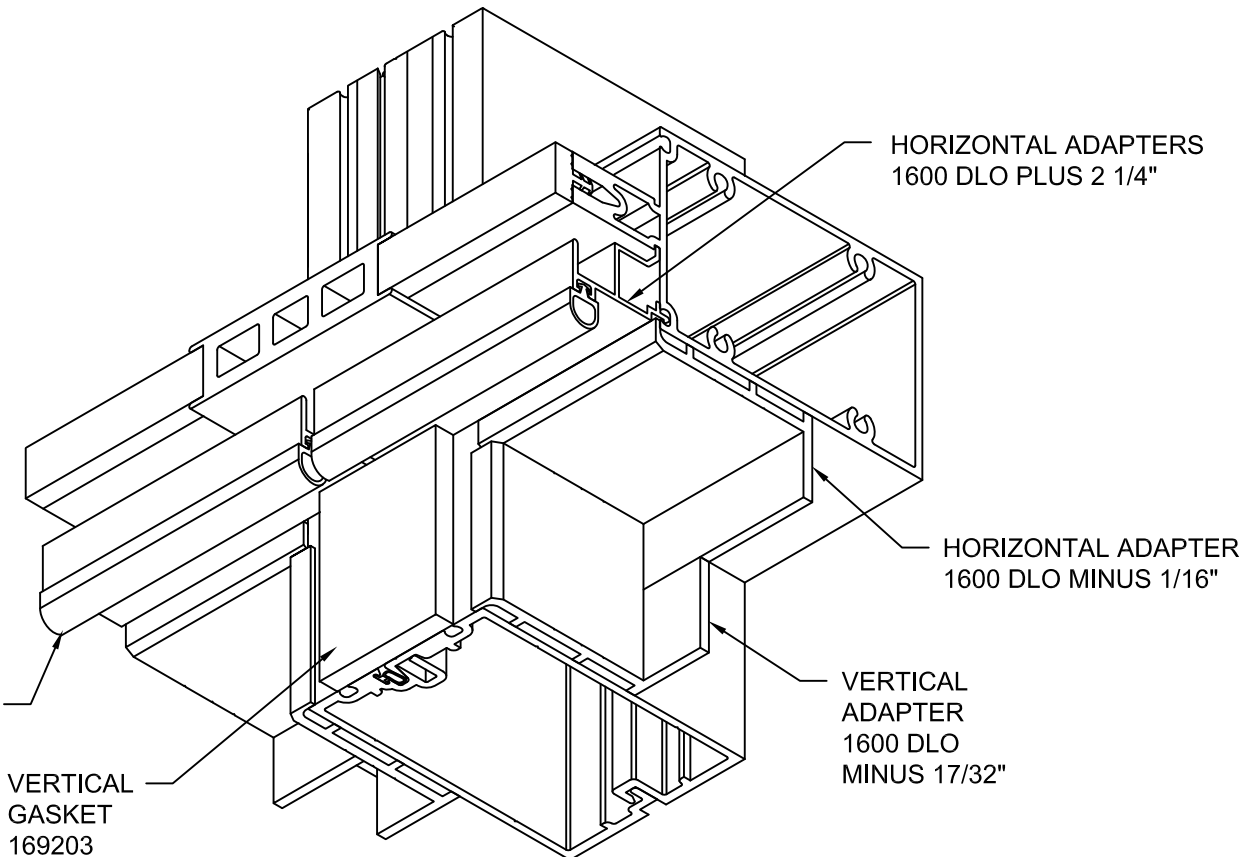
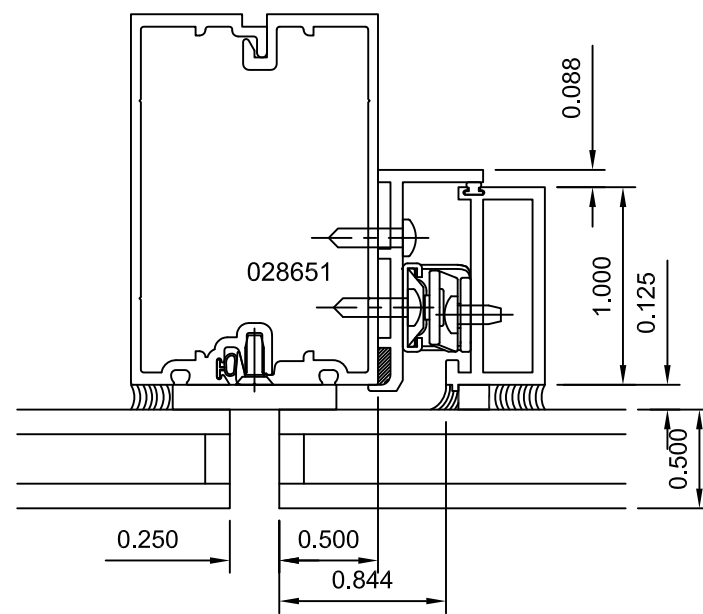
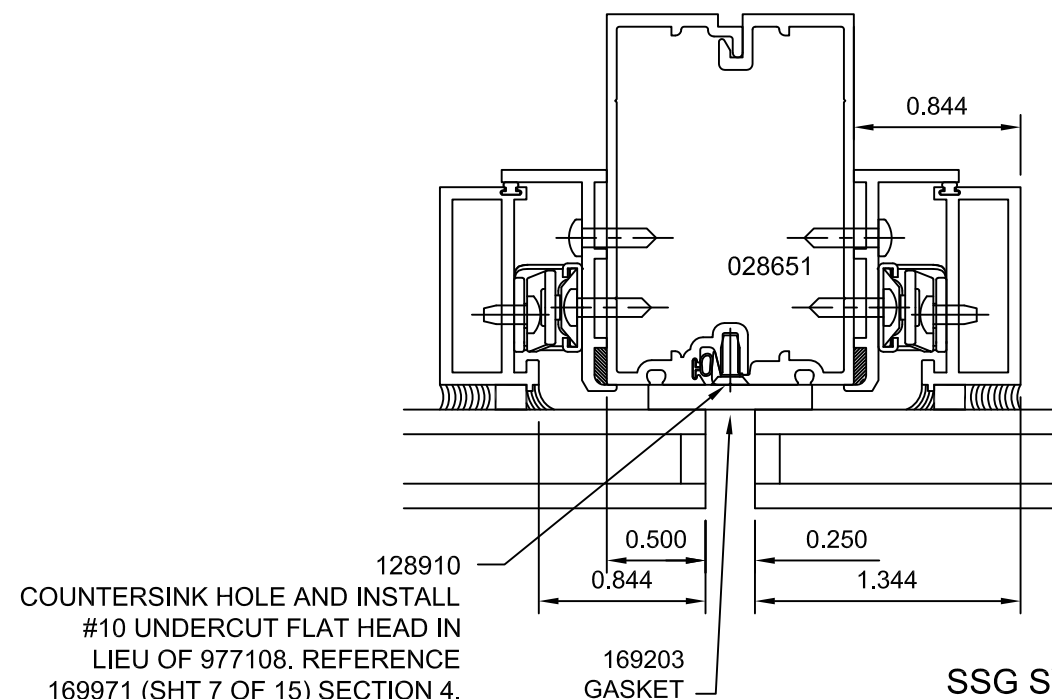


USE THESE INSTRUCTIONS IN CONJUNCTION WITH 1600 SYSTEM 1 AND 2 GLASSVENT INSTALLATION INSTRUCTIONS 162978 AND 162979. ALSO REFERENCE 1600 SS INSTALLATION INSTRUCTIONS 169970 AND 169972 FOR ADDITIONAL INSTALLATION INFORMATION.

GLASS MUST HAVE SEAMED EDGES



SSG SYSTEM SHOWN 1" INFILL

SSG SYSTEM SHOWN 1/4" INFILL