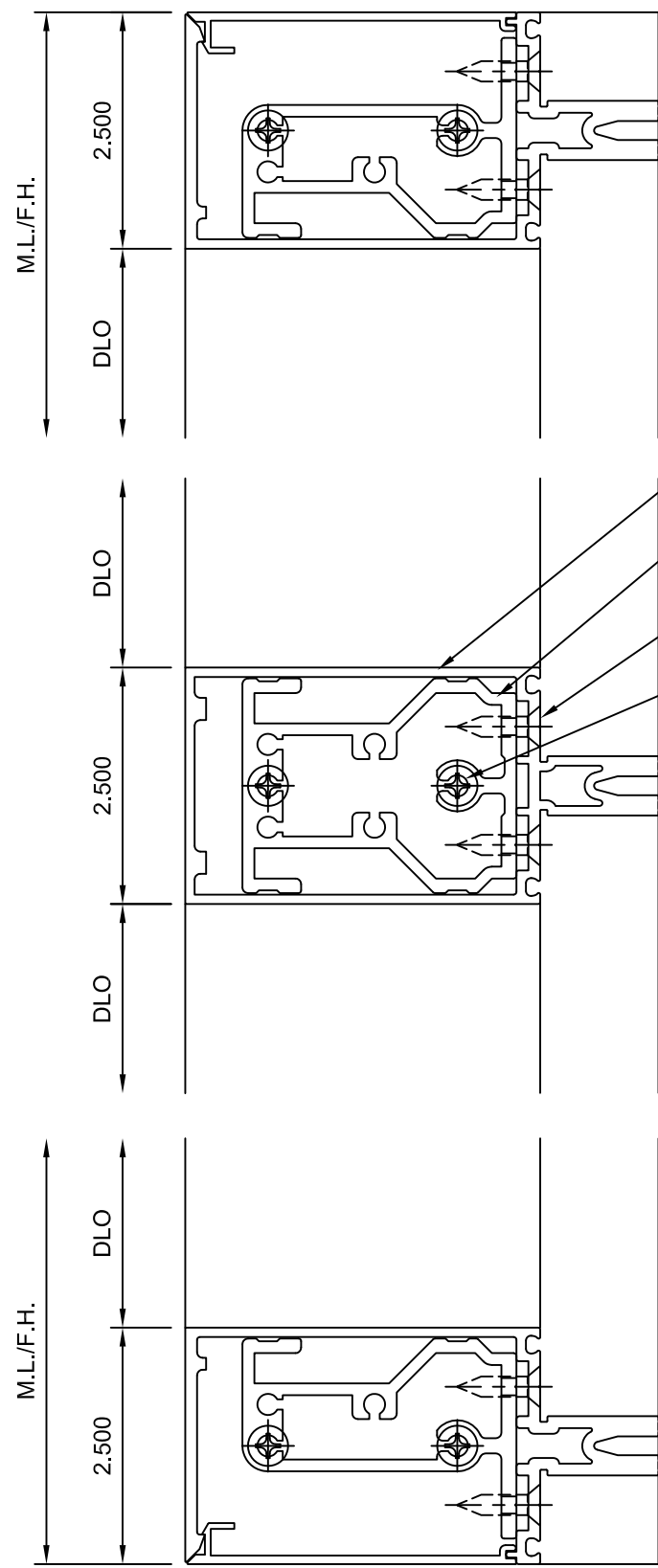
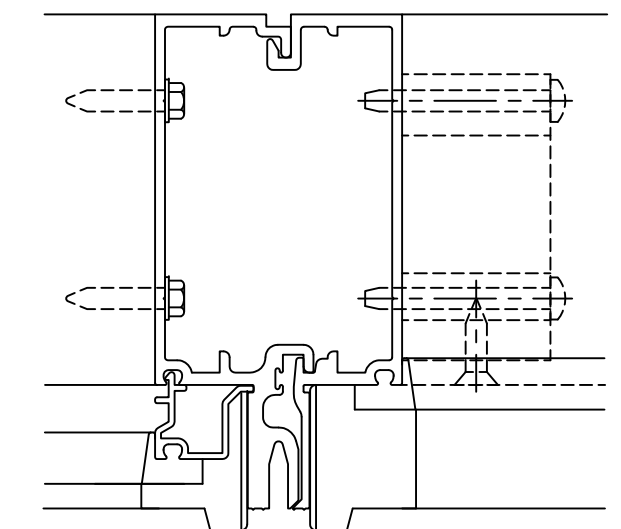


THESE DRAWINGS ARE THE SOLE AND EXCLUSIVE PROPERTY OF KAWNEER AND CONTAIN SENSITIVE, PRIVILEGED OR CONFIDENTIAL INFORMATION WHICH MAY BE USED ONLY FOR ITS BENEFIT. THE DISCLOSURE OF THESE DRAWINGS TO UNAUTHORIZED PERSONS IS STRICTLY PROHIBITED. THIS DOCUMENT AND ALL COPIES MUST BE RETURNED UPON DEMAND.
© COPYRIGHT KAWNEER COMPANY, INC., 2005

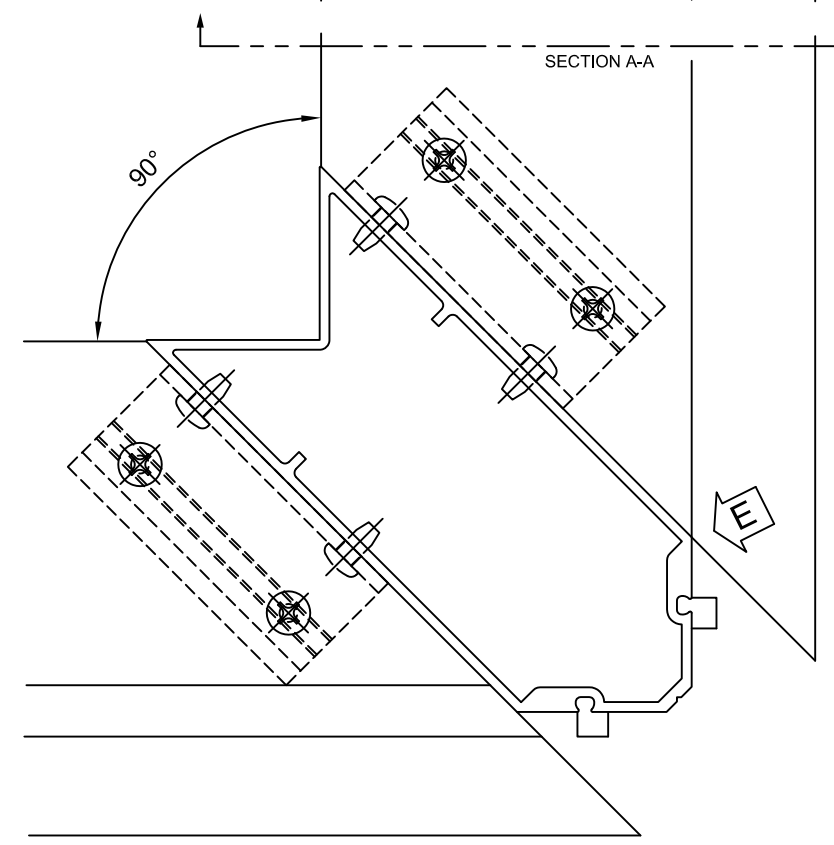
USE THESE INSTRUCTIONS IN CONJUNCTION WITH 1600 SYSTEM 1 AND 2 CORNER INSTALLATION INSTRUCTIONS 162-972 AND 162-973. ALSO REFERENCE 1600 SS INSTALLATION INSTRUCTIONS 169-970 AND 169-972 FOR ADDITIONAL INSTALLATION INFORMATION.



- 1600 SYSTEM 1 TRANSOM
- 1600 SYSTEM 1 SHEAR BLOCK
- 128-405 FASTENER
- 128-394 FASTENER



Install Unit 1 Install Unit 2
WITHOUT HEAD AND SILL HORIZONTALS



Field Erect Unit 3

UNITS 1 AND 4 ARE TYPICAL 1600 SS FRAME UNITS ASSEMBLED IN THE SHOP.

UNIT 2 IS A TYPICAL 1600 SS MULLION HALF WITH 1600 SYSTEM 1 HORIZONTALS, SHEAR BLOCKS AND A 1600 SYSTEM 1 OR 2 CORNER MULLION. UNIT IS ASSEMBLED IN THE SHOP. SHEAR BLOCKS ON THE RIGHT SIDE OF THE CORNER MULLION CAN BE APPLIED IN THE SHOP.

UNIT 3 IS FIELD ASSEMBLED USING 1600 SYSTEM 1 HORIZONTALS AND A 1600 SS MULLION HALF. SHEAR BLOCKS AND ANCHOR ANGLES CAN BE APPLIED TO THE MULLION HALF IN THE SHOP.

- UNIT 3 ERECTION SEQUENCE:
1. APPLY INTERMEDIATE HORIZONTALS
 2. APPLY MULLION HALF
 3. INSTALL FASTENERS AT SHEAR BLOCKS
 4. APPLY PERIMETER FASTENER ANCHORS
 5. DROP ON HEAD AND SILL HORIZONTALS
 6. INSTALL FASTENERS AT SHEAR BLOCKS
 7. SEAL ALL JOINTS AND FASTENER HEADS
 8. REFERENCE INSTALLATION INSTRUCTIONS FOR ADDITIONAL PART APPLICATIONS

6" SYSTEM SHOWN
7 1/2" SYSTEM SIMILAR
90° SSG CORNER SHOWN
OTHER CAPTURED AND SSG CORNERS SIMILAR

SECTION A-A

	1600 SS CORNER INSTALLATION INSTRUCTIONS
	Product Engineering & Development
95505-019 04/26/13	169972 (SHT 1 OF 1)