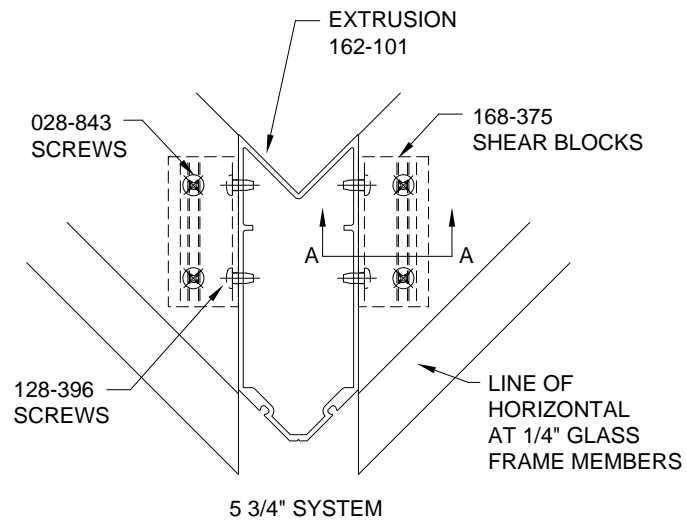


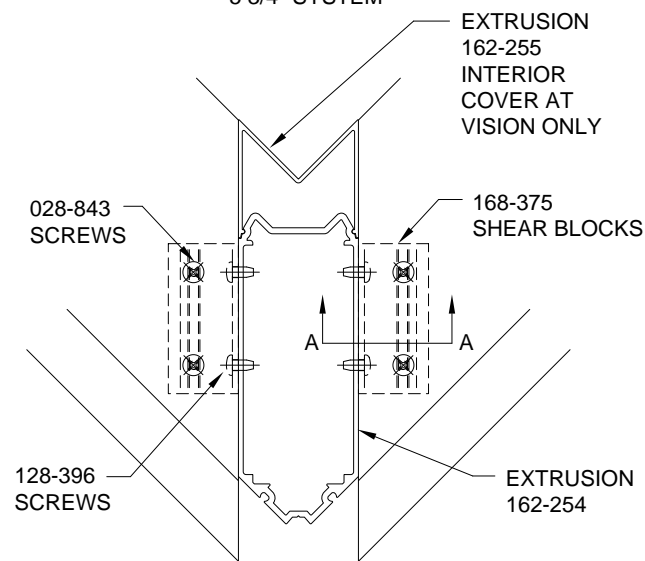
USE THESE INSTRUCTIONS IN CONJUNCTION WITH INSTALLATION INSTRUCTIONS 168-971
 REFERENCE INSTALLATION INSTRUCTIONS 168-971 SHEETS 4 & 8 FOR VERTICAL SPLICE APPLICATIONS.
 GLAZING TEMPORARIES ARE NOT INCLUDED FOR CORNER CONDITIONS.

90° OUTSIDE CORNER

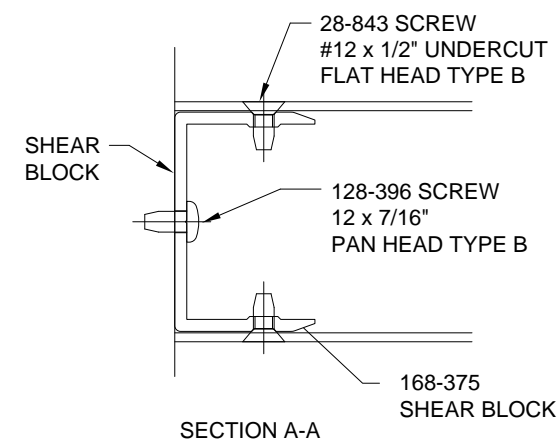
SHEAR BLOCK ASSEMBLY



5 3/4" SYSTEM



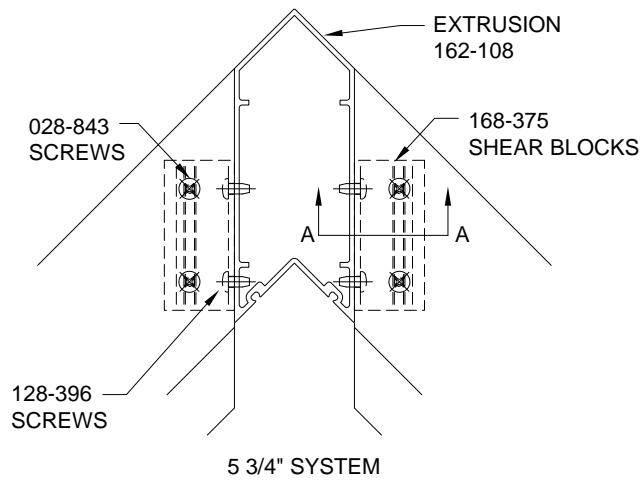
7 1/4" SYSTEM



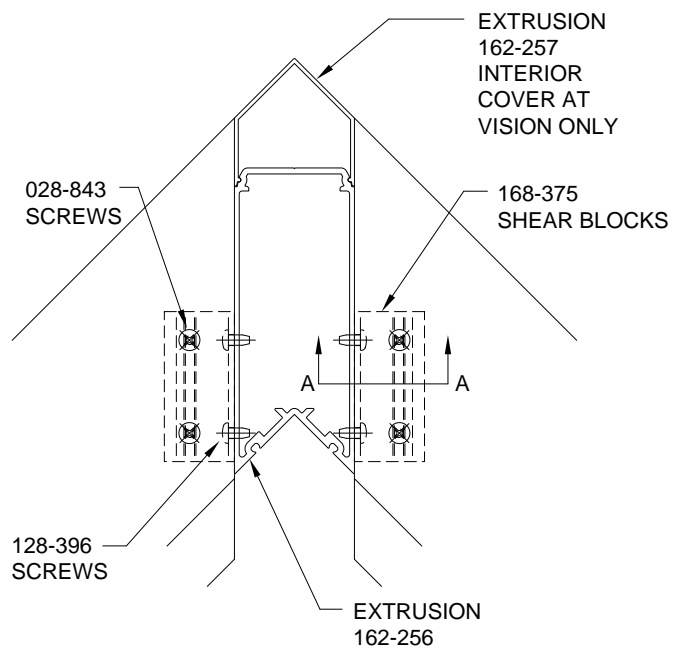
SECTION A-A

90° INSIDE CORNER

SHEAR BLOCK ASSEMBLY

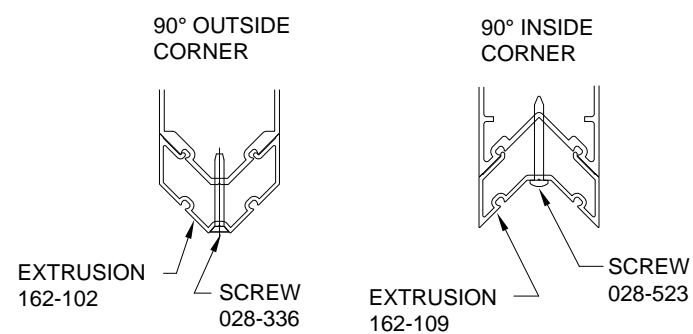


5 3/4" SYSTEM



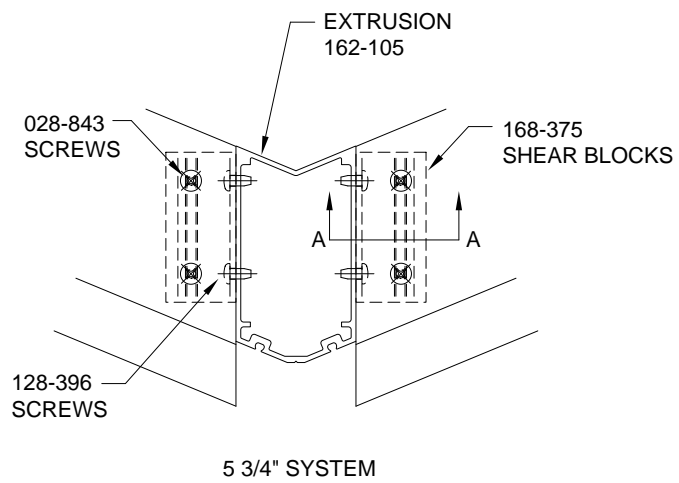
7 1/4" SYSTEM

SPANDREL ADAPTERS

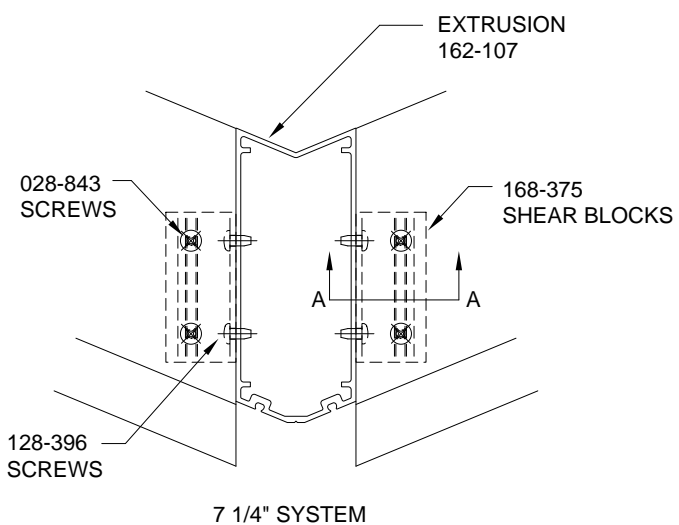


135° OUTSIDE CORNER

SHEAR BLOCK ASSEMBLY

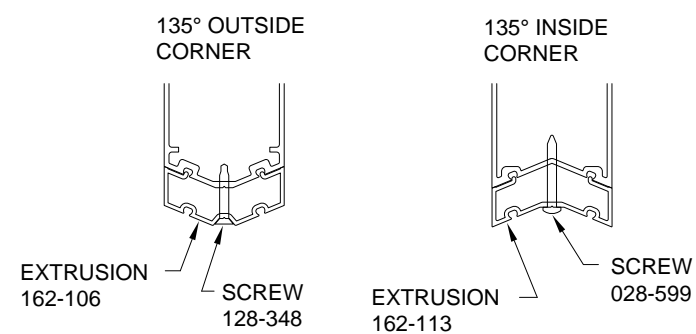


5 3/4" SYSTEM



7 1/4" SYSTEM

SPANDREL ADAPTERS

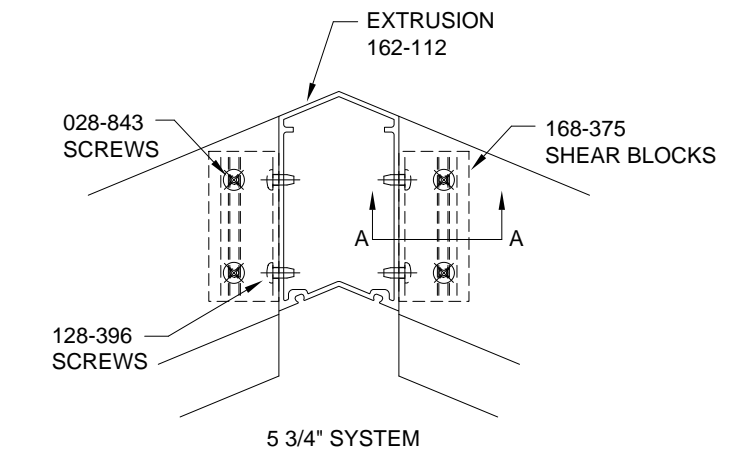


CONFIDENTIAL AND PROPRIETARY INFORMATION
 KAWNEER COMPANY INC.

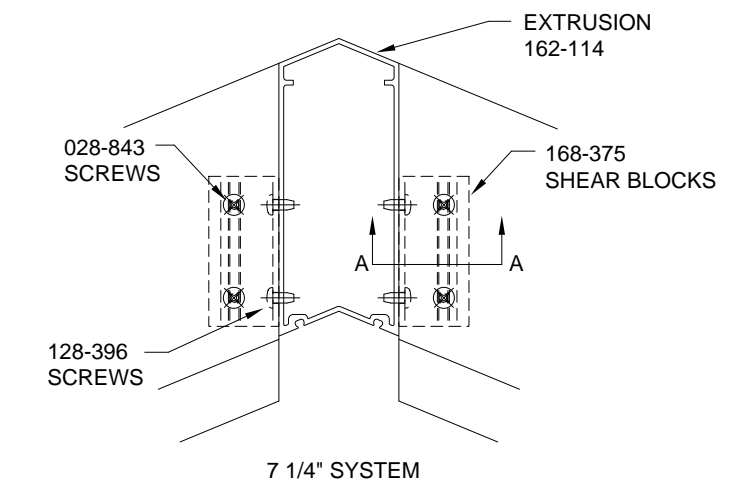
THESE DRAWINGS ARE THE SOLE AND EXCLUSIVE PROPERTY OF KAWNEER AND CONTAIN SENSITIVE, PRIVILEGED OR CONFIDENTIAL INFORMATION WHICH MAY BE USED ONLY FOR ITS BENEFIT. THE DISCLOSURE OF THESE DRAWINGS TO UNAUTHORIZED PERSONS IS STRICTLY PROHIBITED. THIS DOCUMENT AND ALL COPIES MUST BE RETURNED UPON DEMAND.
 © COPYRIGHT KAWNEER COMPANY, INC., 2004

135° INSIDE CORNER

SHEAR BLOCK ASSEMBLY



5 3/4" SYSTEM



7 1/4" SYSTEM



1600 L · R
 SSG CORNER
 INSTALLATION
 INSTRUCTIONS

Product Engineering & Development

95503-03
 11/24/04

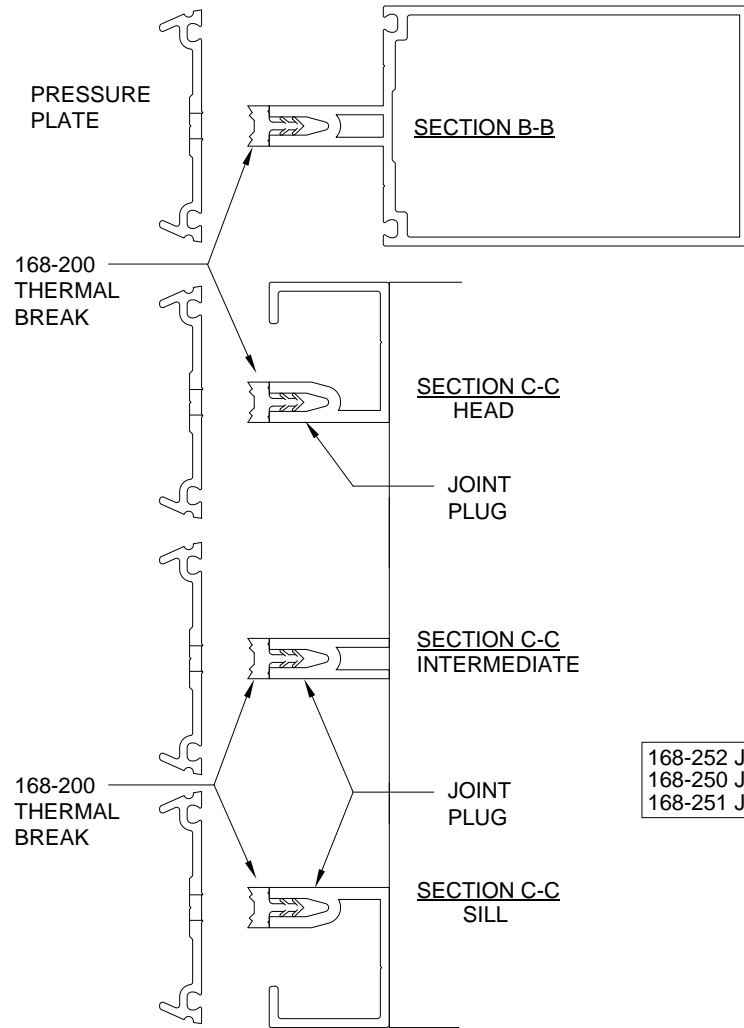
INSTALLATION SEQUENCE

1. SEAL VERTICAL MULLION GROOVES, JOINT PLUG AND HORIZONTAL ENDS AS SHOWN IN INSTRUCTIONS 168-971 ON SHEET 6.
2. INSTALL JOINT PLUGS USING THE 168-200 THERMAL BREAK TO HOLD THE PLUG IN PLACE.
3. SEAL JOINT PLUG AND THERMAL BREAK JOINTS AS SHOWN.
4. DURING GLAZING, PRESSURE PLATE TO BE CUT AS SHOWN AND COMPLETELY SEALED.

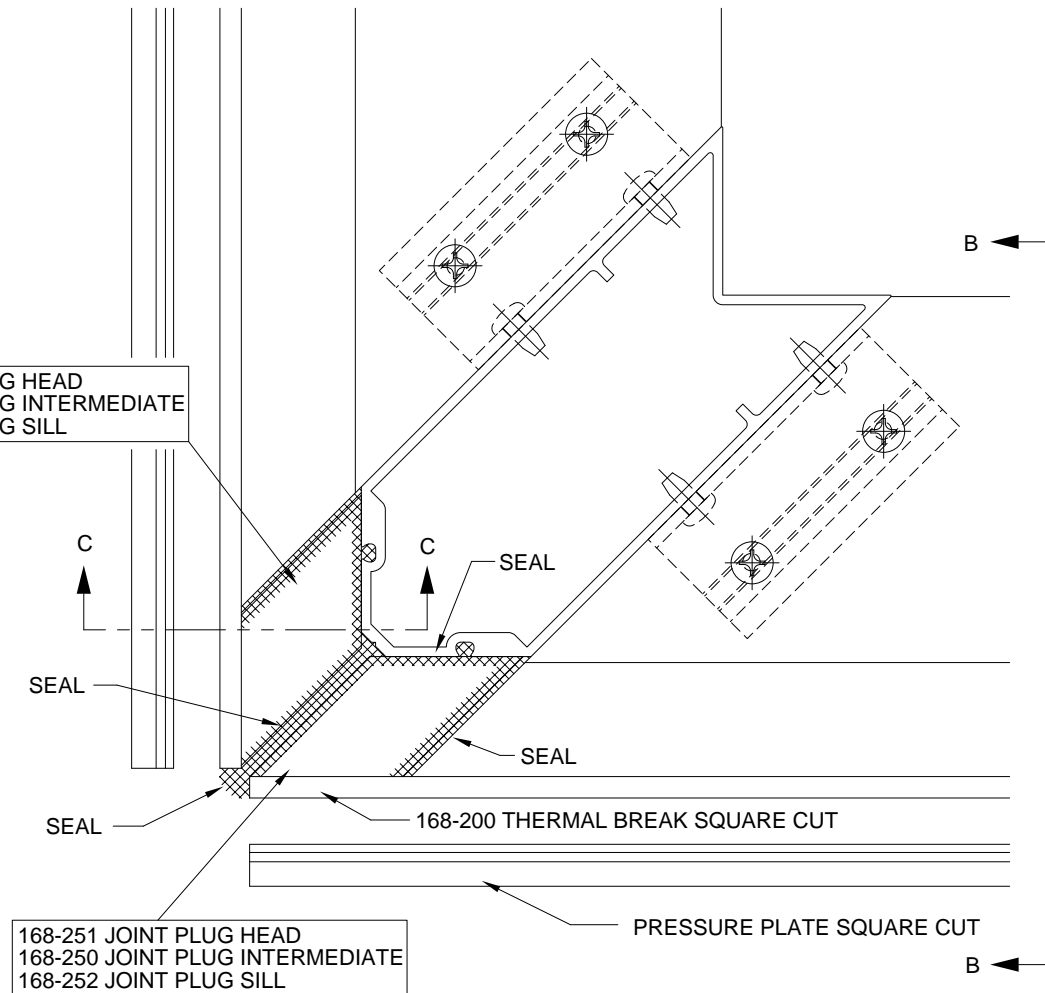
USE THESE INSTRUCTIONS IN CONJUNCTION WITH INSTALLATION INSTRUCTIONS 168-971.

JOINT PLUG ASSEMBLY

TYPICAL HORIZONTALS

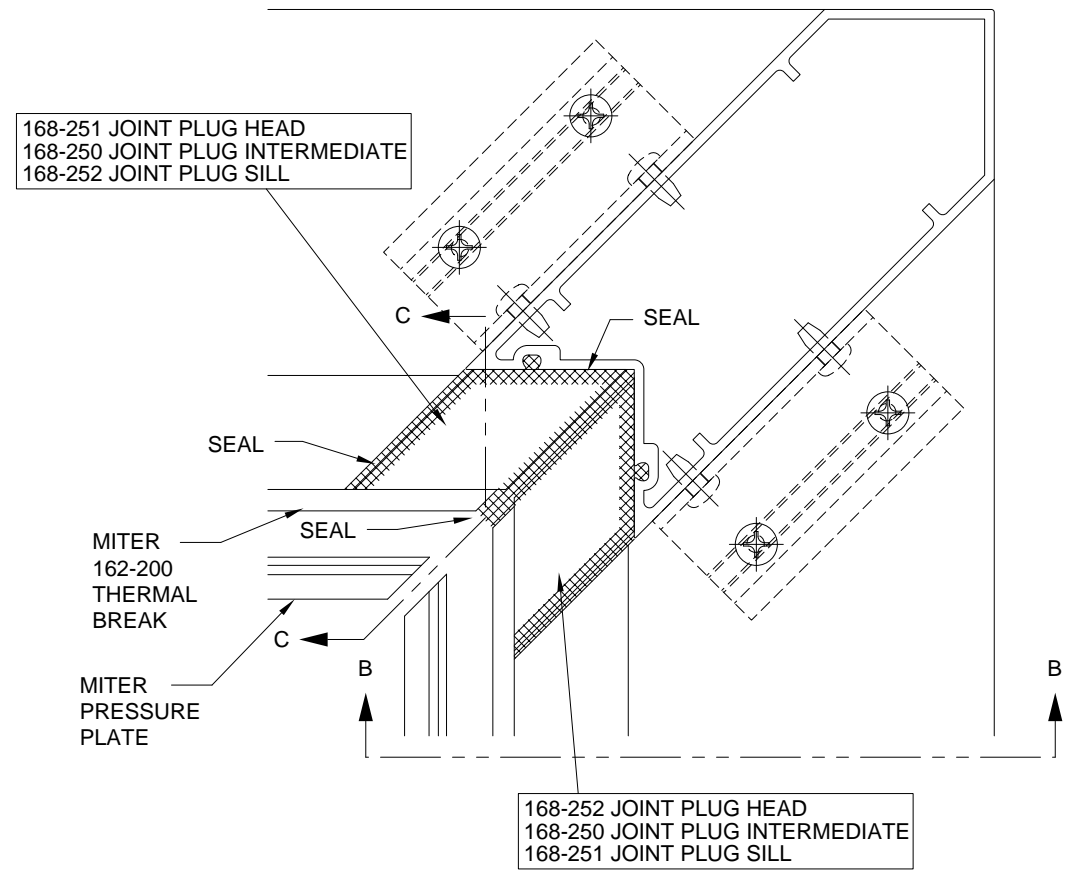


168-252 JOINT PLUG HEAD
168-250 JOINT PLUG INTERMEDIATE
168-251 JOINT PLUG SILL



168-251 JOINT PLUG HEAD
168-250 JOINT PLUG INTERMEDIATE
168-252 JOINT PLUG SILL

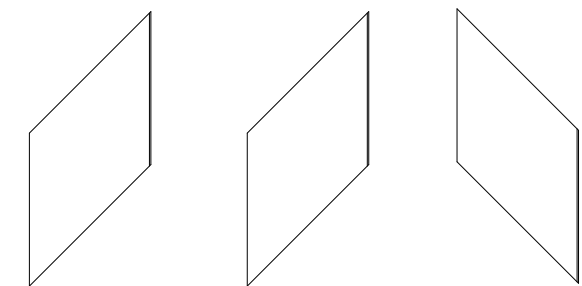
90° OUTSIDE CORNER



168-251 JOINT PLUG HEAD
168-250 JOINT PLUG INTERMEDIATE
168-252 JOINT PLUG SILL

168-252 JOINT PLUG HEAD
168-250 JOINT PLUG INTERMEDIATE
168-251 JOINT PLUG SILL

90° INSIDE CORNER



168250
ALUMINUM
JOINT PLUG
90° CORNERS
INTERMEDIATE

168251
ALUMINUM
JOINT PLUG
90° CORNERS
PERIMETER

168252
ALUMINUM
JOINT PLUG
90° CORNERS
PERIMETER

 An Alcoa Company		1600 L · R SSG CORNER INSTALLATION INSTRUCTIONS
Product Engineering & Development		
95503-03 11/24/04	168973 (SHEET 02 OF 03)	

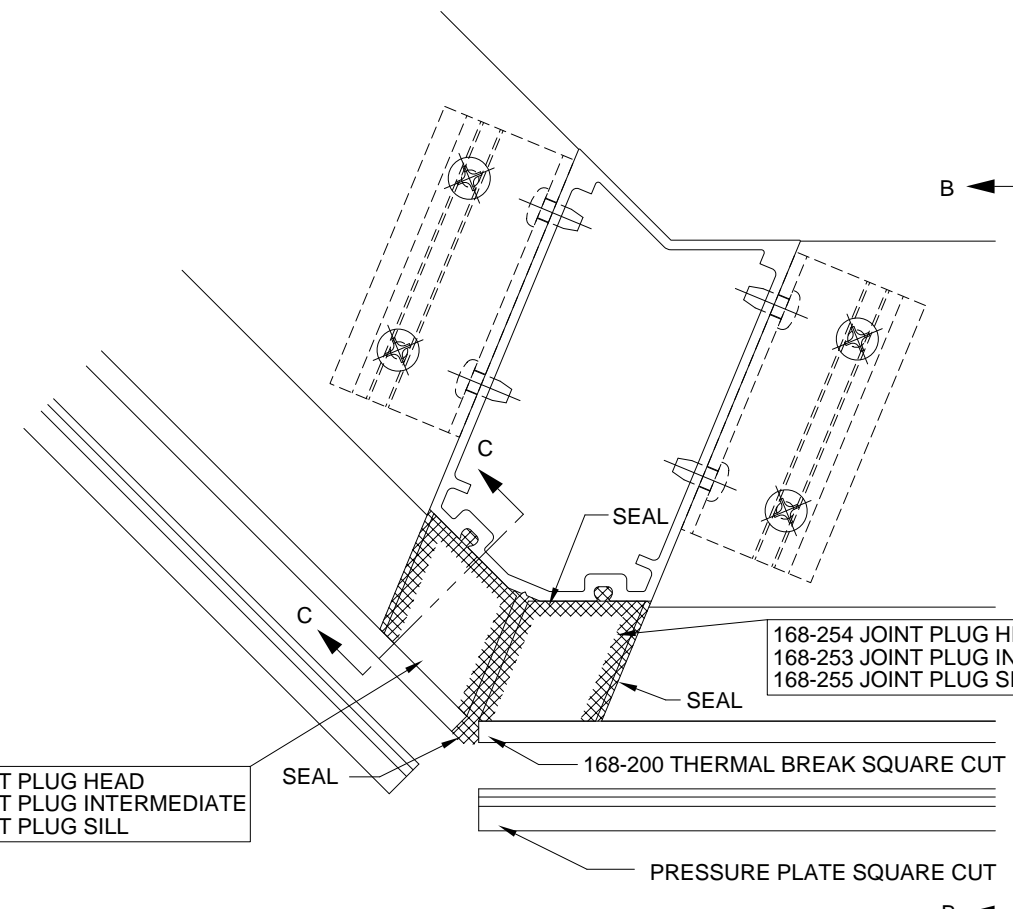
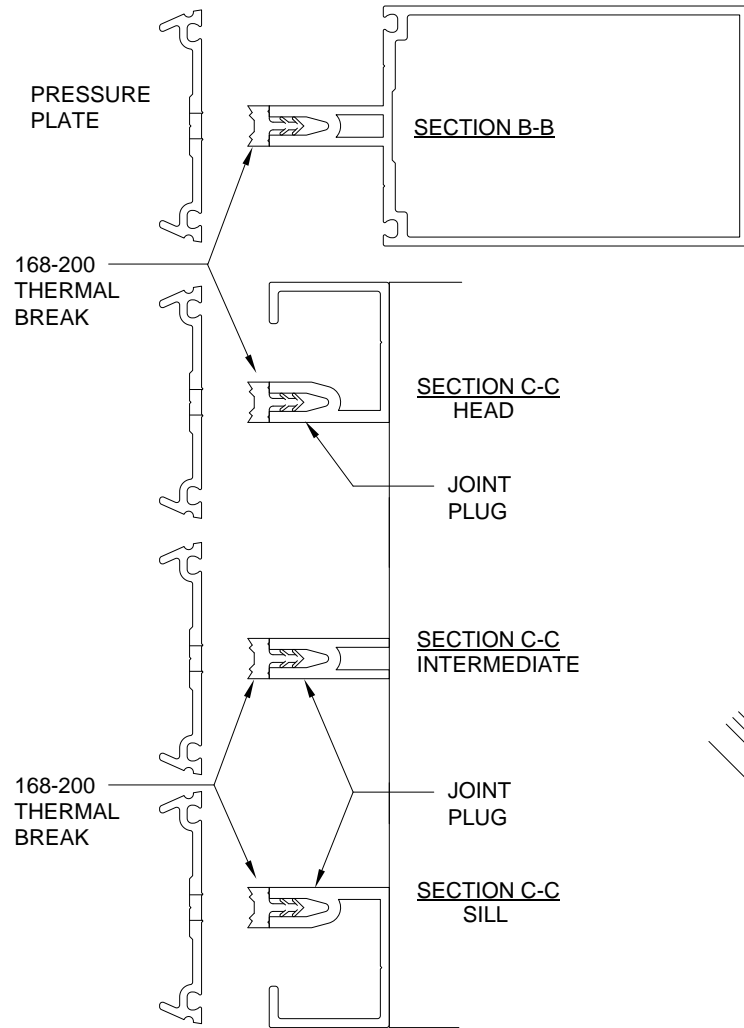
INSTALLATION SEQUENCE

1. SEAL VERTICAL MULLION GROOVES, JOINT PLUG AND HORIZONTAL ENDS AS SHOWN IN INSTRUCTIONS 168-971 ON SHEET 6.
2. INSTALL JOINT PLUGS USING THE 168-200 THERMAL BREAK TO HOLD THE PLUG IN PLACE.
3. SEAL JOINT PLUG AND THERMAL BREAK JOINTS AS SHOWN.
4. DURING GLAZING, PRESSURE PLATE TO BE CUT AS SHOWN AND COMPLETELY SEALED.

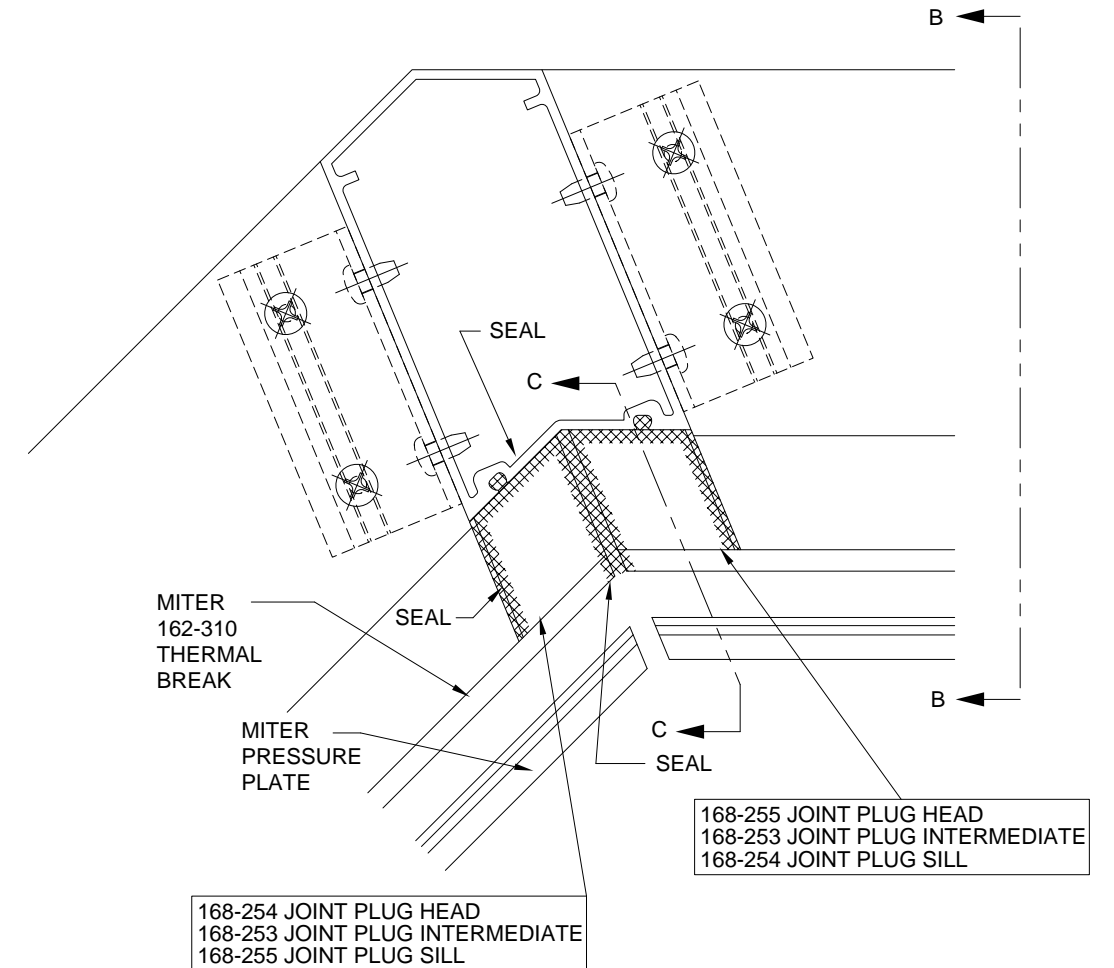
USE THESE INSTRUCTIONS IN CONJUNCTION WITH INSTALLATION INSTRUCTIONS 168-971.

JOINT PLUG ASSEMBLY

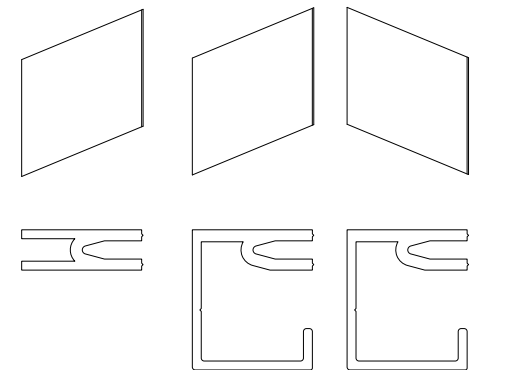
TYPICAL HORIZONTALS



135° OUTSIDE CORNER



135° INSIDE CORNER



168253 ALUMINUM JOINT PLUG 135° CORNERS INTERMEDIATE	168254 ALUMINUM JOINT PLUG 135° CORNERS PERIMETER	168255 ALUMINUM JOINT PLUG 135° CORNERS PERIMETER
--	---	---

 An Alcoa Company Product Engineering & Development	1600 L · R SSG CORNER INSTALLATION INSTRUCTIONS
	95503-03 11/24/04