

USE THESE INSTRUCTIONS IN CONJUNCTION WITH INSTALLATION INSTRUCTIONS

166-970 HEAD/SILL RUNNING THRU TYPE B
166-971 SCREW SPLINE TYPE A
166-972 SHEAR BLOCK

166-973 TYPE B SSG
166-974 TYPE A SCREW SPLINE SSG
166-975 SHEAR BLOCK SSG

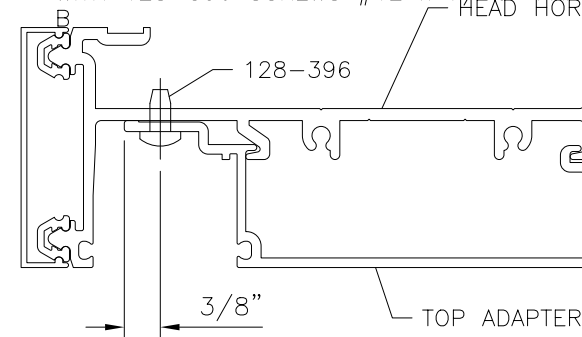
INSTALL FRAMING BEFORE INSTALLING GLASS VENTS

REFERENCE APPROVED SHOP DRAWINGS FOR CORRECT EXTRUSIONS USED

SQUARENESS AND DAYLITE OPENING DIMENSIONS MUST BE HELD TO WITHIN 1/16" OF NOMINAL FOR THE VENTS TO FIT AND OPERATE PROPERLY. DIAGONAL DIMENSIONS ACROSS OPENING MUST NOT VARY MORE THAN 1/16".

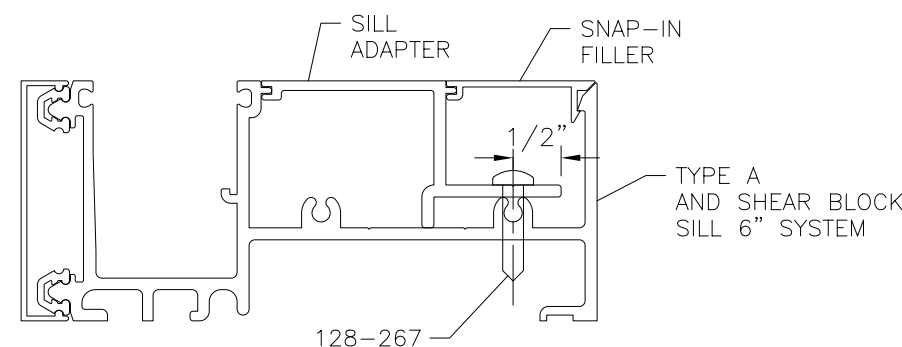
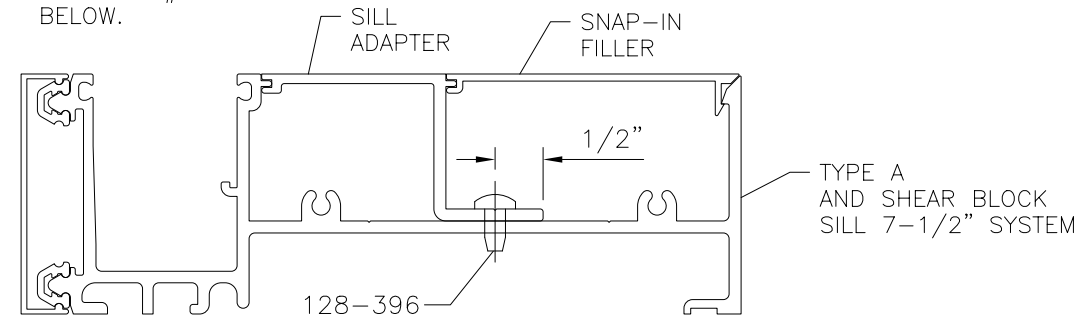
FABRICATE AND INSTALL TOP ADAPTER AT HEAD HORIZONTAL

ADAPTER CUT LENGTH = $DLO - 1/32"$
DRILL #1 (0.228" DIA.) HOLES IN ADAPTER 3" FROM EACH END AND 9" ON CENTER. USE THE ADAPTER AS A TEMPLATE TO MATCH DRILL #14 (0.182" DIA.) HOLES INTO FRAME AND APPLY ADAPTER WITH 128-396 SCREWS #12 x 7/16" PAN HEAD TYPE B



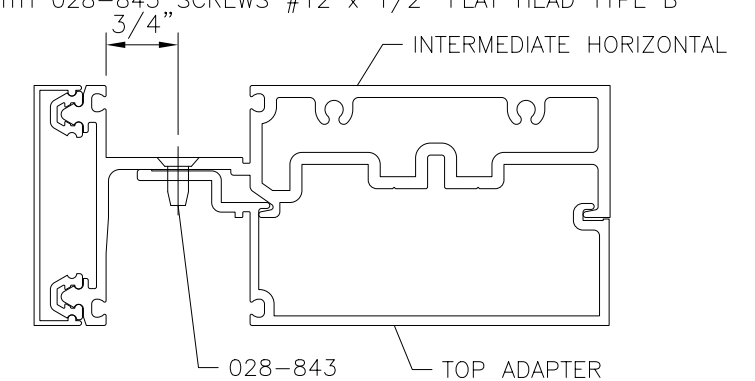
FABRICATE AND INSTALL BOTTOM ADAPTER AT SHEAR BLOCK / SCREW SPLINE SILL HORIZONTAL

ADAPTER CUT LENGTH = $DLO - 1/32"$
DRILL #1 (0.228" DIA.) HOLES IN ADAPTER 3" FROM EACH END AND 9" ON CENTER. USE THE ADAPTER AS A TEMPLATE TO MATCH DRILL #14 (0.182" DIA.) HOLES INTO FRAME AND APPLY ADAPTER WITH 128-396 SCREWS #12 x 7/16" PAN HEAD TYPE B OR 128-267 #12 x 1" PAN HEAD TYPE AB AS SHOWN BELOW.



FABRICATE AND INSTALL TOP ADAPTER AT INTERMEDIATE HORIZONTAL

ADAPTER CUT LENGTH = $DLO - 1/32"$
DRILL #1 (0.228" DIA.) THRU 0.438" x 82° COUNTERSINK HOLES IN HORIZONTAL 3" FROM EACH END AND 9" ON CENTER. USE THE HORIZONTAL AS A TEMPLATE TO MATCH DRILL #14 (0.182" DIA.) HOLES INTO ADAPTER AND APPLY ADAPTER WITH 028-843 SCREWS #12 x 1/2" FLAT HEAD TYPE B



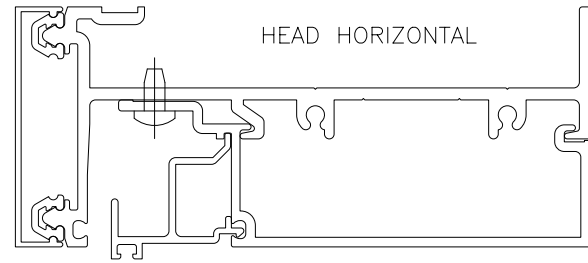
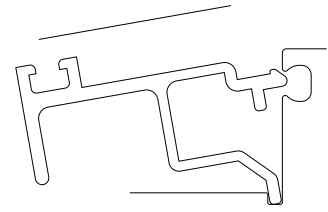
CONFIDENTIAL AND PROPRIETARY INFORMATION
KAWNEER COMPANY INC.

THESE DRAWINGS ARE THE SOLE AND EXCLUSIVE PROPERTY OF KAWNEER AND CONTAIN SENSITIVE, PRIVILEGED OR CONFIDENTIAL INFORMATION WHICH MAY BE USED ONLY FOR ITS BENEFIT. THE DISCLOSURE OF THESE DRAWINGS TO UNAUTHORIZED PERSONS IS STRICTLY PROHIBITED. THIS DOCUMENT AND ALL COPIES MUST BE RETURNED UPON DEMAND.

COPYRIGHT KAWNEER COMPANY, INC., 2002

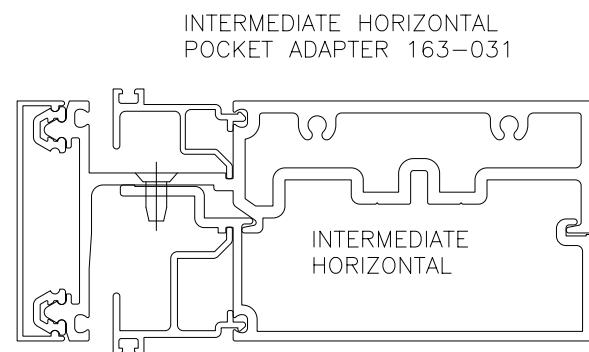
INSTALL VENT POCKET ADAPTERS

INSTALL VERTICAL ADAPTERS FIRST



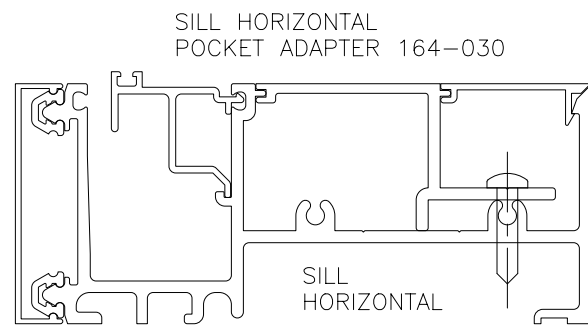
HEAD HORIZONTAL

HEAD HORIZONTAL
POCKET ADAPTER 164-030



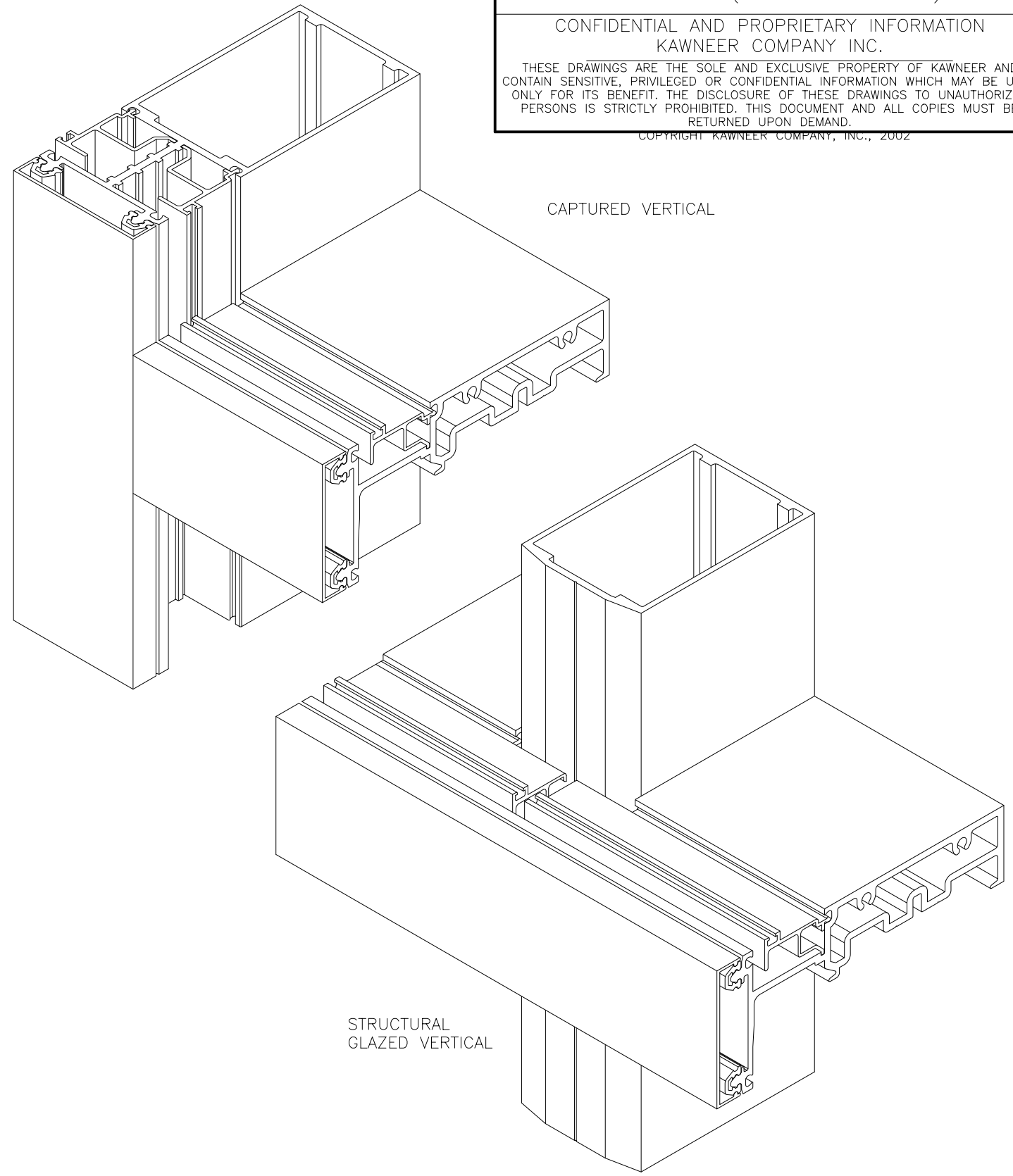
INTERMEDIATE HORIZONTAL
POCKET ADAPTER 163-031

INTERMEDIATE HORIZONTAL
POCKET ADAPTER 164-030



SILL HORIZONTAL
POCKET ADAPTER 164-030

SILL HORIZONTAL



CAPTURED VERTICAL

STRUCTURAL
GLAZED VERTICAL

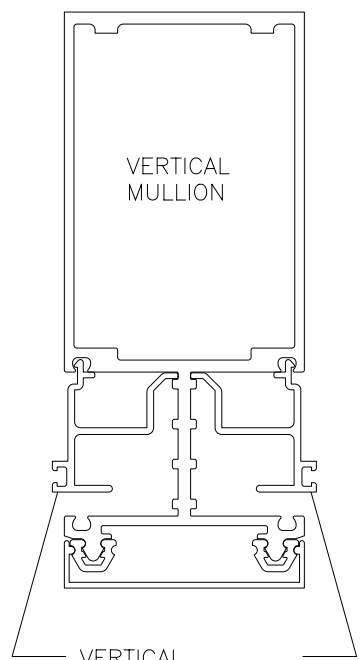
POCKET ADAPTER CUT LENGTH

VERTICAL ADAPTERS DLO PLUS 1 3/8"

HORIZONTAL ADAPTER DLO MINUS 5/16"
WITH CAPTURED VERTICALS AT BOTH ENDS

HORIZONTAL ADAPTER DLO PLUS 2 1/4"
WITH SSG VERTICALS AT BOTH ENDS (NOTCH ENDS)

HORIZONTAL ADAPTER DLO PLUS 31/32"
WITH CAPTURED VERTICAL AT ONE END
AND SSG VERTICAL AT ONE END (NOTCH)



VERTICAL
MULLION

VERTICAL
MULLION
POCKET ADAPTER
164-030



An Alcoa Company

Product Engineering & Development

1600 SYSTEM 5
P. O. GLASSVENT
INSTALLATION
INSTRUCTIONS

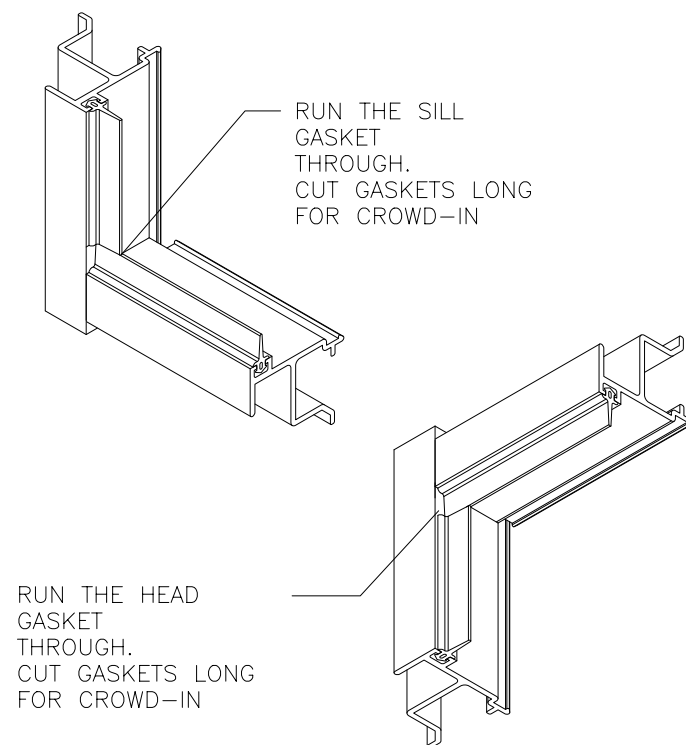
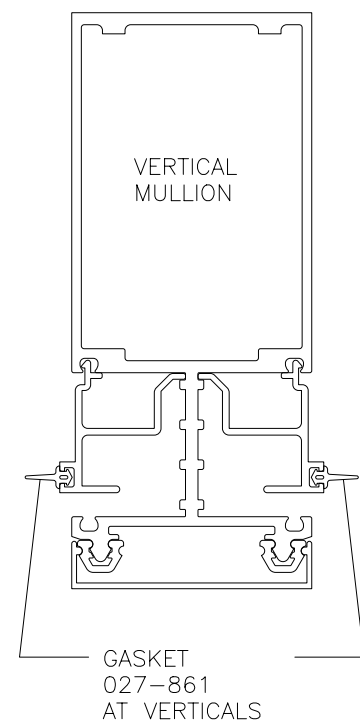
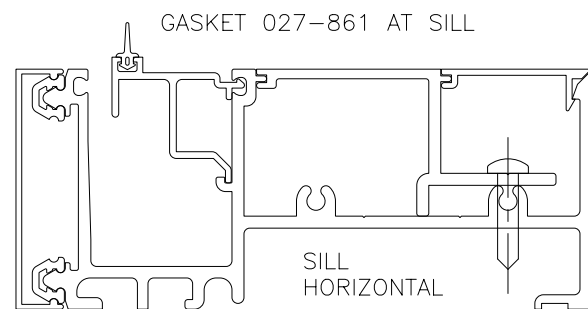
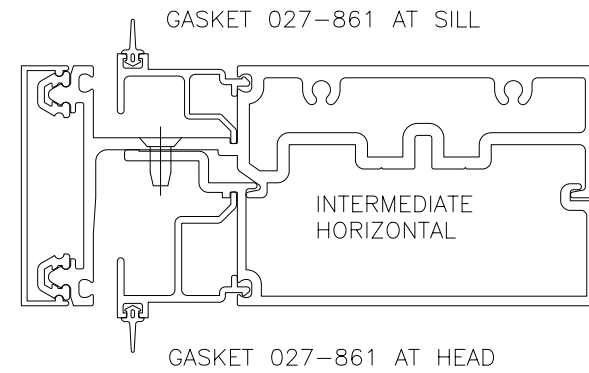
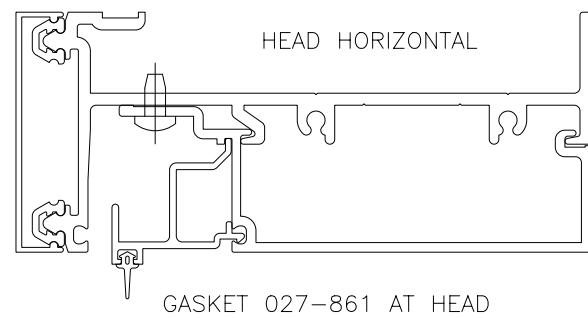
95488-23
12/10/03

CONFIDENTIAL AND PROPRIETARY INFORMATION
KAWNEER COMPANY INC.

THESE DRAWINGS ARE THE SOLE AND EXCLUSIVE PROPERTY OF KAWNEER AND CONTAIN SENSITIVE, PRIVILEGED OR CONFIDENTIAL INFORMATION WHICH MAY BE USED ONLY FOR ITS BENEFIT. THE DISCLOSURE OF THESE DRAWINGS TO UNAUTHORIZED PERSONS IS STRICTLY PROHIBITED. THIS DOCUMENT AND ALL COPIES MUST BE RETURNED UPON DEMAND.

COPYRIGHT KAWNEER COMPANY, INC., 2002

INSTALL PERIMETER VENT GASKETS



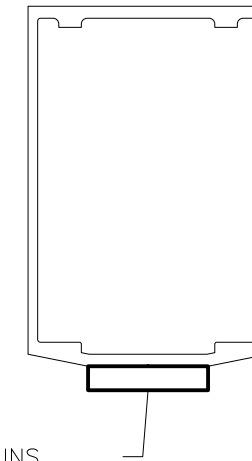
VIEW FROM BELOW

INSTALL PERIMETER VENT GASKETS

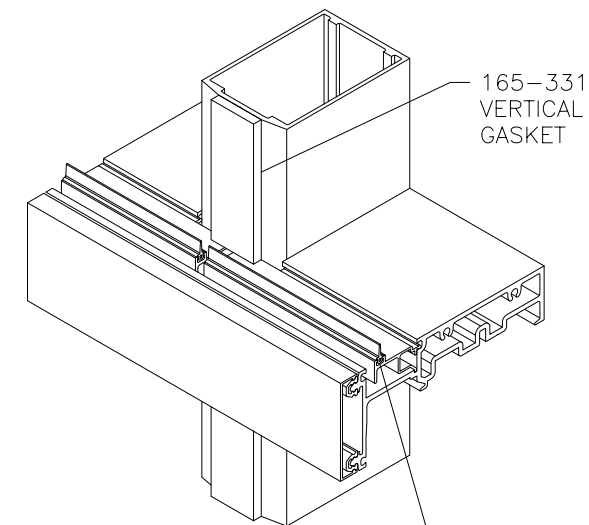
STRUCTURAL GLAZED VERTICALS

APPLY 165-331 NORTON POLYURETHANE FOAM WITH ADHESIVE ONE SIDE

REMOVE LINER AND APPLY SURFACE MUST BE DRY AND CLEAN



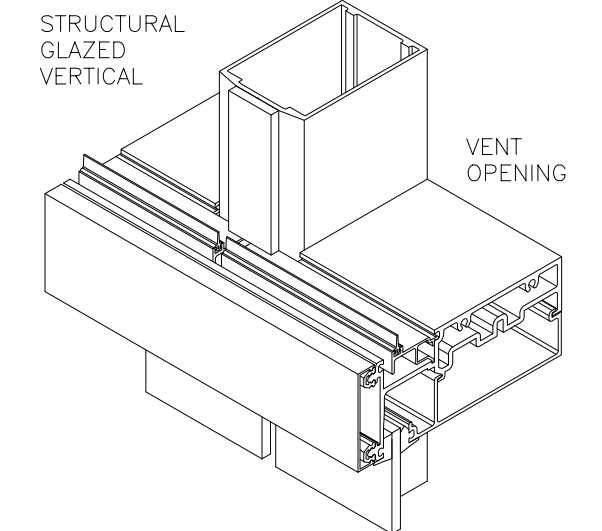
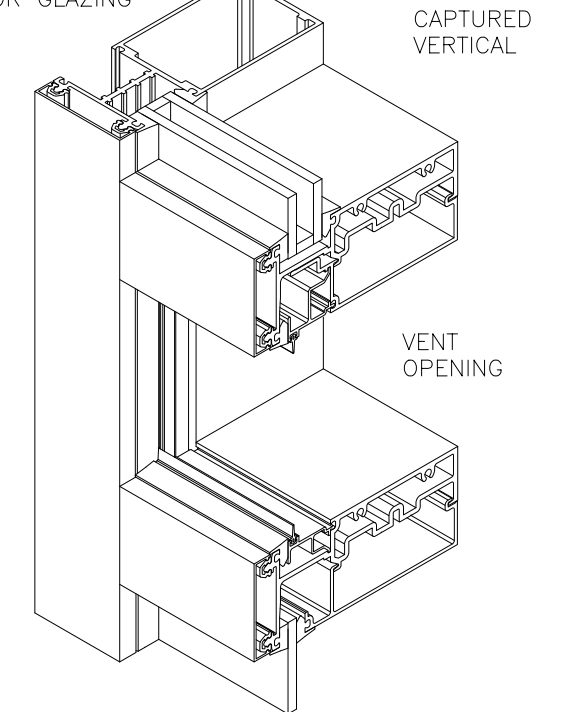
165-331 GASKET RUNS BETWEEN HORIZONTAL POCKET FILLERS



HEAD AND SILL GASKETS RUN SAME LENGTH AS POCKET FILLERS

GLAZE GLASS

AFTER INSTALLING VENT POCKET ADAPTERS COMPLETE THE REMAINING STEPS WITH THE TYPICAL INSTALLATION INSTRUCTIONS FOR GLAZING



Kawneer
An Alcoa Company

1600 SYSTEM 5
P. O. GLASSVENT
INSTALLATION
INSTRUCTIONS

Product Engineering & Development

95488-23
12/10/03

166-988 (SHEET 3 OF 6)

CONFIDENTIAL AND PROPRIETARY INFORMATION
KAWNEER COMPANY INC.

THESE DRAWINGS ARE THE SOLE AND EXCLUSIVE PROPERTY OF KAWNEER AND CONTAIN SENSITIVE, PRIVILEGED OR CONFIDENTIAL INFORMATION WHICH MAY BE USED ONLY FOR ITS BENEFIT. THE DISCLOSURE OF THESE DRAWINGS TO UNAUTHORIZED PERSONS IS STRICTLY PROHIBITED. THIS DOCUMENT AND ALL COPIES MUST BE RETURNED UPON DEMAND.

COPYRIGHT KAWNEER COMPANY, INC., 2002

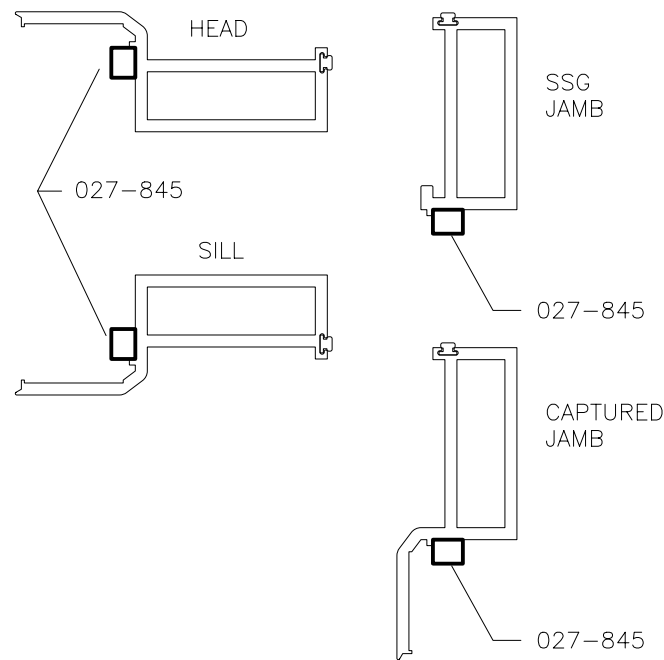
STRUCTURAL VENT GLAZING

STRUCTURAL SEAL - SEALANT TO BE STRUCTURAL TYPE SILICONE AS RECOMMENDED BY THE SEALANT MANUFACTURER. SEALANT SHALL NOT BE APPLIED UNTIL ALL REQUIRED COMPATIBILITY AND ADHESION TESTING IS COMPLETE. SEALANT MUST BE APPLIED PER THE SEALANT MANUFACTURER'S RECOMMENDATIONS.

EXTERIOR GLASS WEATHER SEAL - SEALANT TO BE A TYPE AS RECOMMENDED BY THE MANUFACTURER OF THE STRUCTURAL SEALANT BEING USED FOR THIS PROJECT. SEALANT MUST BE APPLIED PER THE SEALANT MANUFACTURER'S RECOMMENDATIONS.

GLASS IS TO HAVE SEAMED EDGES

CLEAN VENT GLAZING AND APPLY 027-845 2 SIDED ADHESIVE TAPE AS SHOWN. TEMPORARILY LEAVE THE PROTECTIVE LINER ON



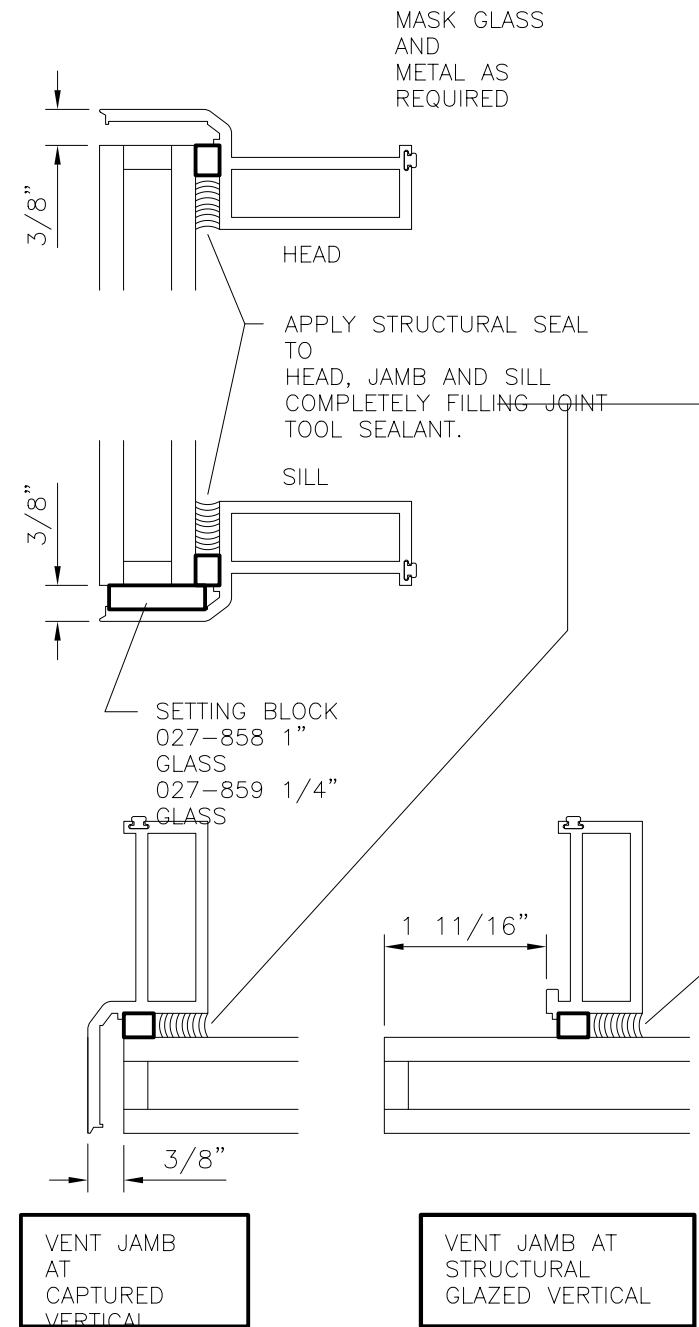
CLEAN THE GLASS PER THE SEALANT MANUFACTURER'S RECOMMENDATIONS.

PLACE THE GLASS ONTO A BENCH USING PROPER BLOCKING METHODS.

PLACE THE VENT ON THE GLASS AND SHIFT AGAINST SETTING BLOCKS AND TO THE SPECIFIED EDGE OVERLAP.

REMOVE THE TAPE PROTECTIVE LINER AFTER CENTERING THE GLASS.

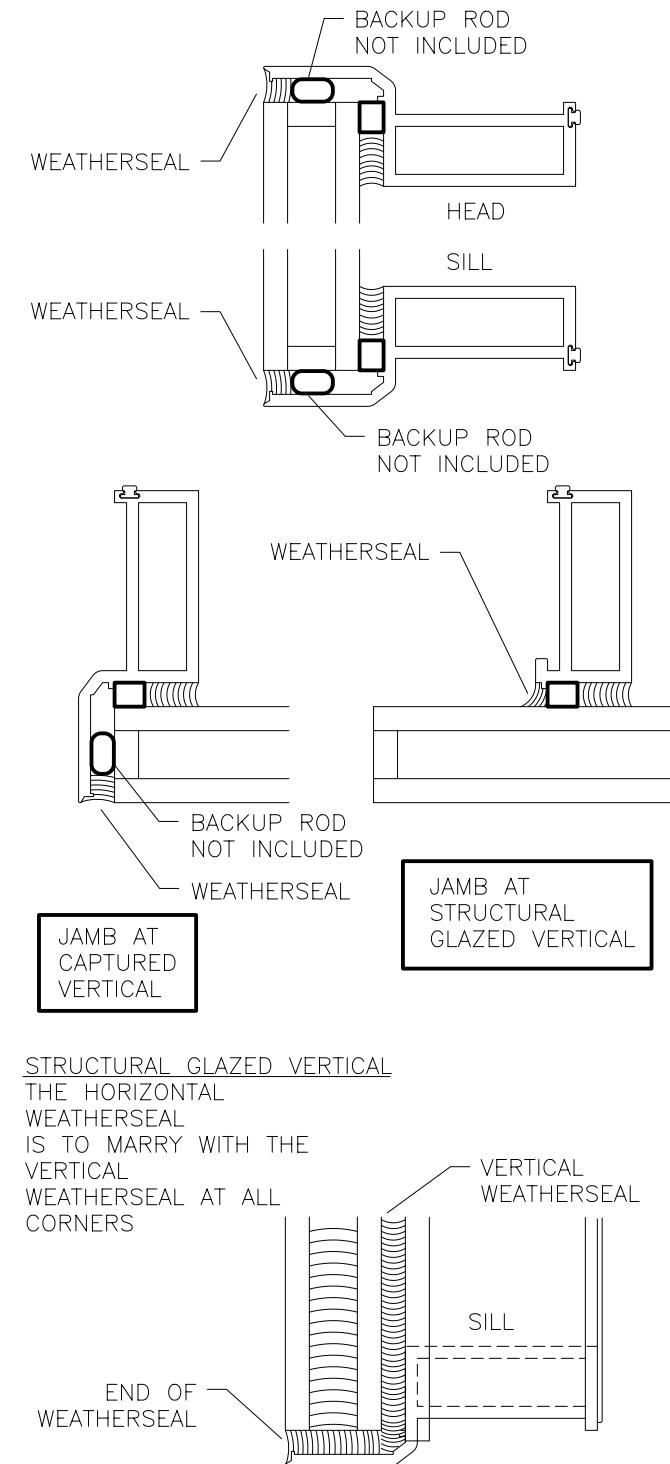
APPLY STRUCTURAL SEAL



VENT JAMB AT CAPTURED VERTICAL

VENT JAMB AT STRUCTURAL GLAZED VERTICAL

APPLY WEATHER SEAL



STRUCTURAL GLAZED VERTICAL THE HORIZONTAL WEATHERSEAL IS TO MARRY WITH THE VERTICAL WEATHERSEAL AT ALL CORNERS

ALLOW THE SEALANT TO CURE PER THE SEALANT MANUFACTURER'S RECOMMENDATIONS.



1600 SYSTEM 5
P. O. GLASSVENT
INSTALLATION
INSTRUCTIONS

Product Engineering & Development

95488-22
01/31/03

CONFIDENTIAL AND PROPRIETARY INFORMATION
KAWNEER COMPANY INC.

THESE DRAWINGS ARE THE SOLE AND EXCLUSIVE PROPERTY OF KAWNEER AND CONTAIN SENSITIVE, PRIVILEGED OR CONFIDENTIAL INFORMATION WHICH MAY BE USED ONLY FOR ITS BENEFIT. THE DISCLOSURE OF THESE DRAWINGS TO UNAUTHORIZED PERSONS IS STRICTLY PROHIBITED. THIS DOCUMENT AND ALL COPIES MUST BE RETURNED UPON DEMAND.

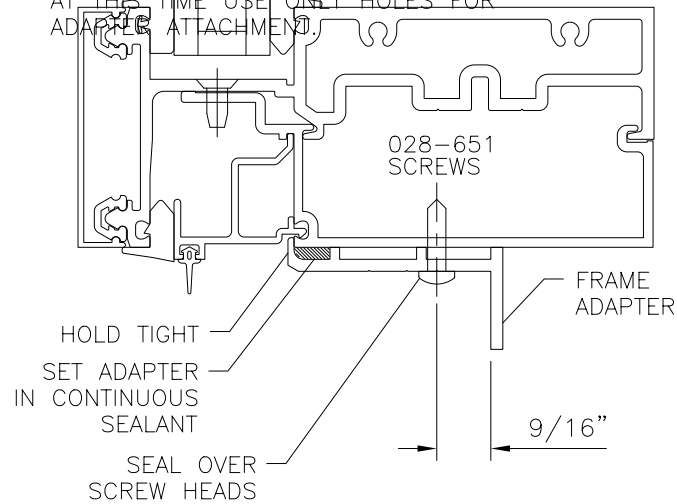
COPYRIGHT KAWNEER COMPANY, INC., 2002

INSTALL VENT FRAME ADAPTERS

VENT FRAME ADAPTERS ARE HANDED. SEE APPROVED SHOP DRAWINGS FOR LOCATION.

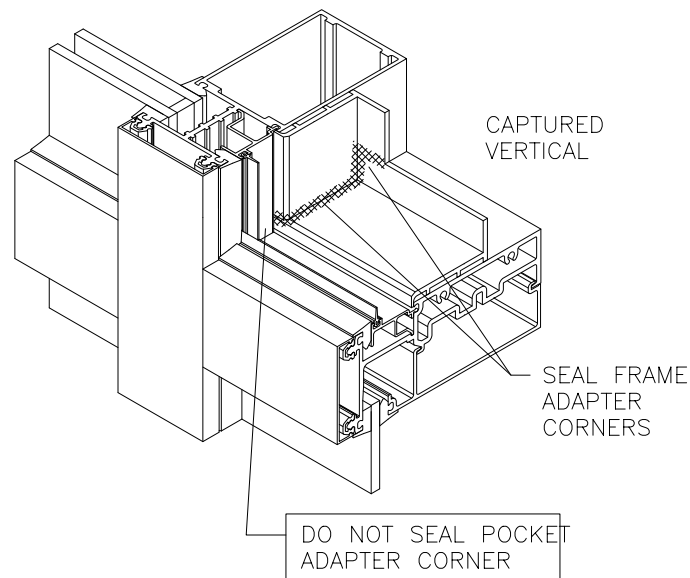
HOLD ADAPTERS TIGHT AGAINST MULLION AS SHOWN. USING HOLES IN ADAPTERS MATCH DRILL MULLIONS WITH #26 DRILL (0.147" DIA.) AND APPLY WITH 028-651 SCREWS #10 x 3/4 PAN HEAD TYPE AB.

AT THIS TIME USE ONLY HOLES FOR ADAPTER ATTACHMENT.

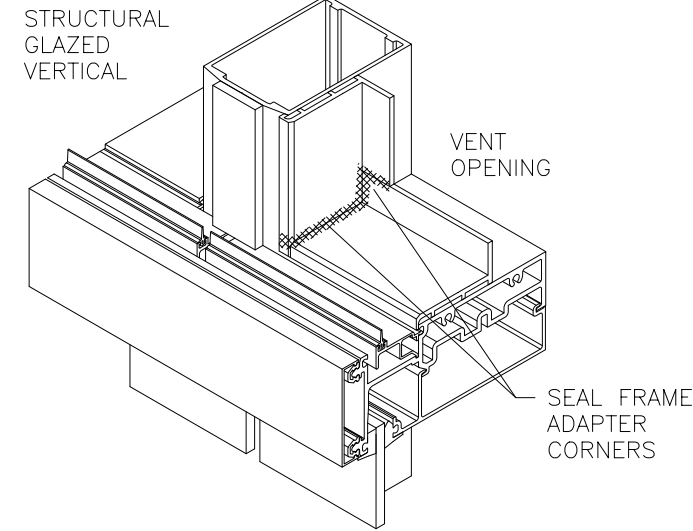


APPLY ADAPTERS TO ALL 4 SIDES AND SEAL CORNERS AS SHOWN.

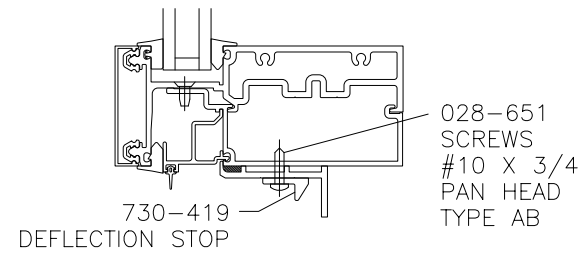
DO NOT SEAL POCKET ADAPTER CORNERS. THESE CORNERS ARE FOR WATER DRAINAGE.



INSTALL VENT FRAME ADAPTERS



INSTALL DEFLECTION STOP

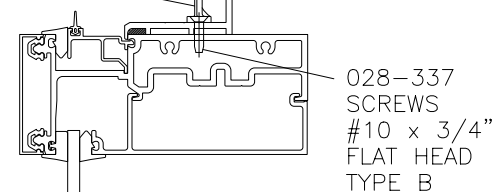


APPLY DEFLECTION STOP USING HOLES IN ADAPTERS DRILL HORIZONTAL WITH #26 DRILL (0.147" DIA.) AND APPLY WITH 028-651 SCREWS. ADJUST STOP ALL THE WAY TO THE EXTERIOR AND SNUG TIGHTEN SCREWS. ADJUSTMENT WILL BE REQUIRED AFTER THE VENT IS INSTALLED.

INSTALL CONCEALED LOCK KEEPER

(IF CONCEALED LOCKS ARE USED)

USING HOLES IN ADAPTERS DRILL HORIZONTAL WITH #26 DRILL (0.147" DIA.) AND APPLY KEEPER USING 028-337 SCREWS. SET SCREWS IN SEALANT.

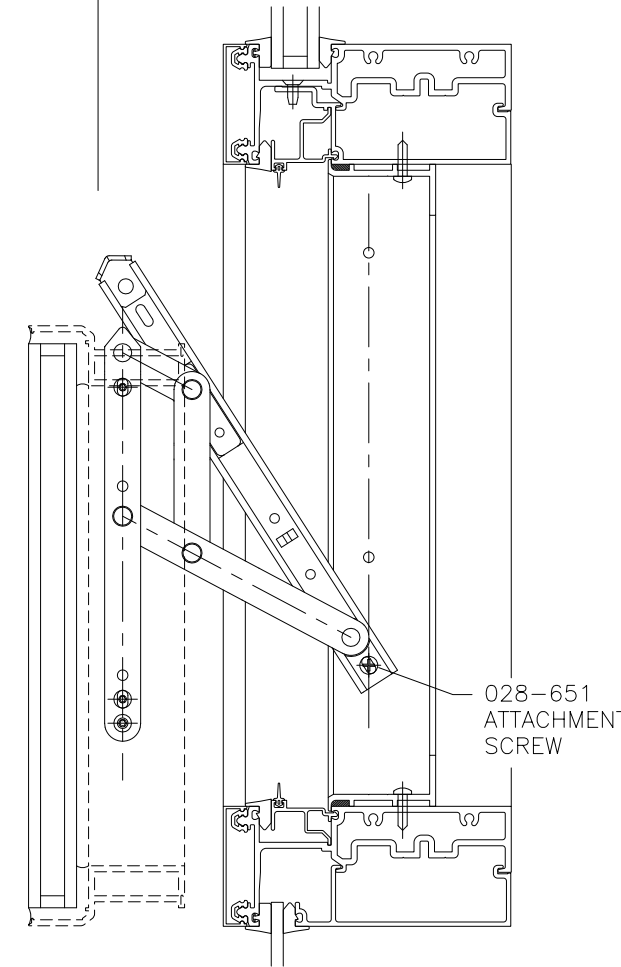


INSTALL GLAZED VENT

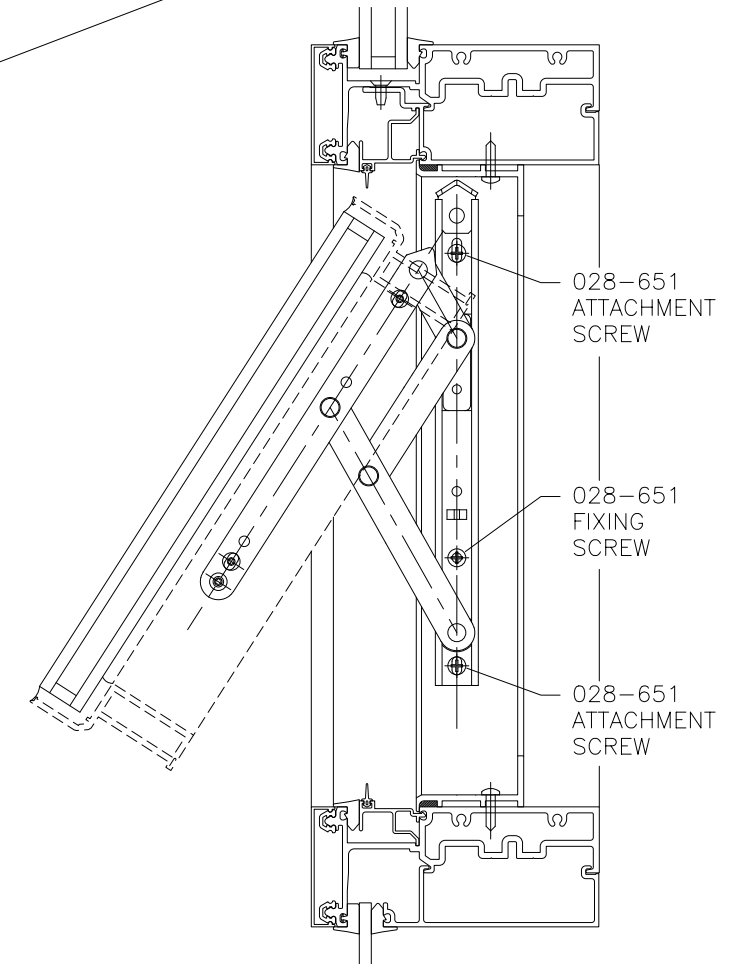
BEFORE INSTALLING VENT DRILL HOLES IN THE MULLIONS USING THE REMAINING ADAPTER HOLES AS PILOTS. USE A #26 DRILL (0.147" DIA.)

INSTALL THE VENT BY SCREW APPLYING THE 4-BAR HINGES TO THE JAMBS USING 028-651

SCREWS #10 x 3/4 PAN HEAD TYPE AB. APPLY SEALANT OVER THE SCREW INSTALS BEFORE INSTALLING 4-BAR HINGE AND SCREWS.



THEN ROTATE THE VENT AND INSTALL THE TOP ATTACHMENT SCREW.



POSITION THE SCREWS IN THE CENTER OF THE 4-BAR HINGE SLOTS.

SHUT THE VENT AND LOCK. CHECK FOR VERTICAL ALIGNMENT. ADJUST AS REQUIRED BY LOOSENING 028-651 SCREWS.

WITH THE VENT CENTERED DRILL AS ABOVE AND INSTALL 028-651 FIXING SCREW.

SET THE SCREW IN SEALANT.



1600 SYSTEM 5
P. O. GLASSVENT
INSTALLATION
INSTRUCTIONS

Product Engineering & Development

95488-23
12/10/03

CONFIDENTIAL AND PROPRIETARY INFORMATION
KAWNEER COMPANY INC.

THESE DRAWINGS ARE THE SOLE AND EXCLUSIVE PROPERTY OF KAWNEER AND CONTAIN SENSITIVE, PRIVILEGED OR CONFIDENTIAL INFORMATION WHICH MAY BE USED ONLY FOR ITS BENEFIT. THE DISCLOSURE OF THESE DRAWINGS TO UNAUTHORIZED PERSONS IS STRICTLY PROHIBITED. THIS DOCUMENT AND ALL COPIES MUST BE RETURNED UPON DEMAND.

COPYRIGHT KAWNEER COMPANY, INC., 2002

INSTALL 229-108 4-BAR LIMIT STOPS IF USED

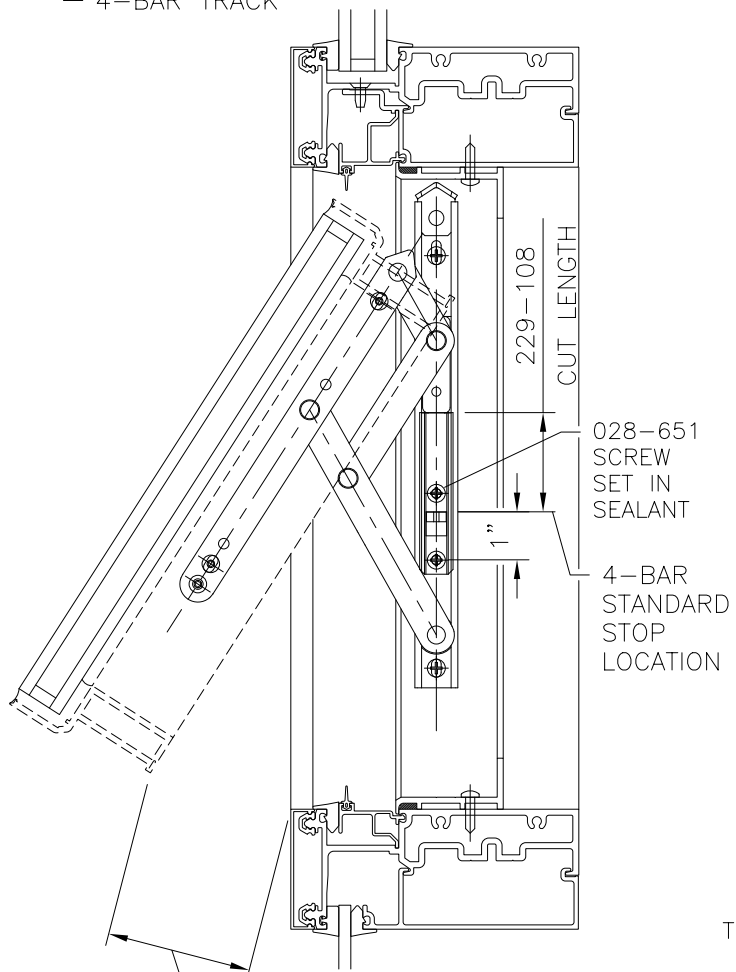
IF THE 1600 DLO HEIGHT IS BETWEEN 36" AND 48" THE VENT OPENING IS TO BE LIMITED AS SHOWN BELOW. 229-108 STOPS WILL BE FURNISHED FOR USE WITH THE 4-BAR HINGES.

THE 229-108 STOP IS FURNISHED 6.800" LONG. CUT AS REQUIRED TO LIMIT THE OPENING TO APPROXIMATELY 10".

DRILL #26 (0.147" DIA.) HOLES AND INSTALL 6.800 WITH 028-651 SCREWS #10 x 3/4" PAN HEAD TYPE AB

THE 4-BAR HINGE HAS A PRE-PUNCHED HOLE FOR THE 028-651 SCREWS.

229-108 LIMIT STOP
4-BAR TRACK

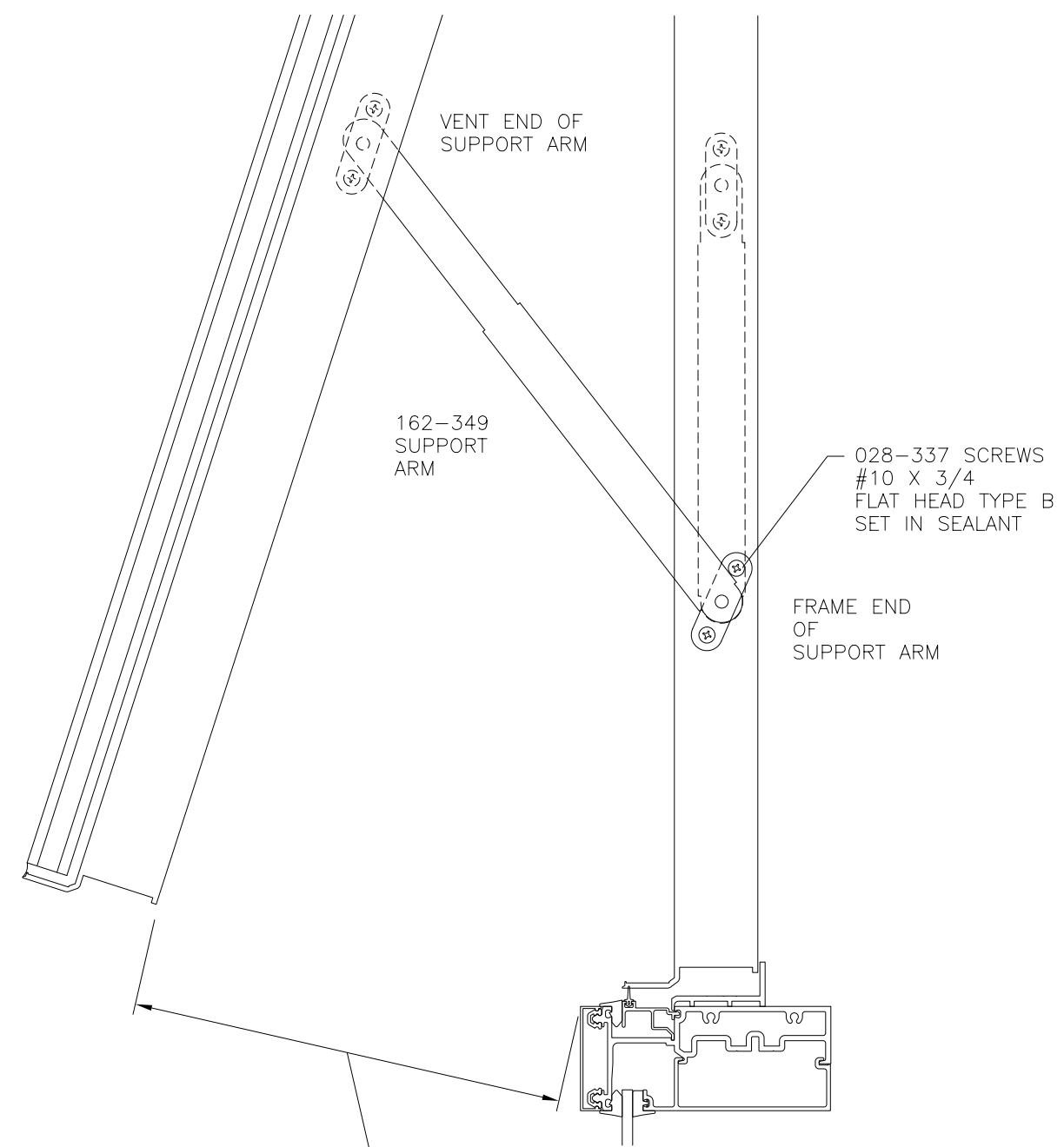


028-651 SCREW SET IN SEALANT
4-BAR STANDARD STOP LOCATION

OPENING TO BE APPROXIMATELY 10"

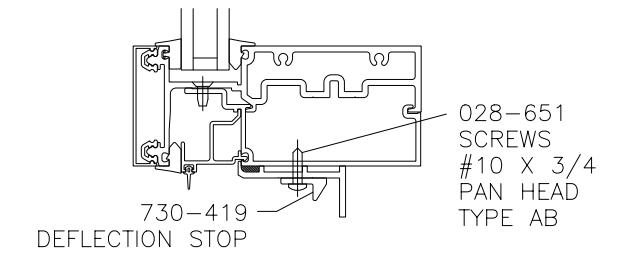
INSTALL 162-349 SUPPORT ARMS IF USED

IF THE 1600 DLO HEIGHT IS OVER 48" IN HEIGHT 162-349 SUPPORT ARMS ARE TO BE USED IN ADDITION TO THE STANDARD 4-BAR HINGES. USING HOLES IN THE ADAPTERS DRILL VERTICAL WITH #26 DRILL (0.147" DIA.). APPLY THE FRAME END OF SUPPORT ARM TO VERTICALS USING 028-337 SCREWS. THE VENT END OF SUPPORT ARM WILL BE FACTORY INSTALLED WITH 977-110 SCREWS.



CLEAR OPENING WILL VARY FROM APPROXIMATELY 10 1/2" FOR A 48" HIGH VENT TO APPROXIMATELY 8 1/2" FOR 78" HIGH VENT

ADJUST DEFLECTION STOP



WITH THE VENT OPEN, LOOSEN SCREWS SO STOP WILL SLIDE. THEN SLIDE DEFLECTION STOP TOWARDS THE INTERIOR. CLOSE VENT AND LOCK. OPEN THE VENT CAREFULLY AND TIGHTEN DEFLECTION STOP SCREW.

Kawneer
An Alcoa Company

1600 SYSTEM 5
P. O. GLASSVENT
INSTALLATION
INSTRUCTIONS

Product Engineering & Development

95488-23
12/10/03