

**NOTES FOR 2500 IG**

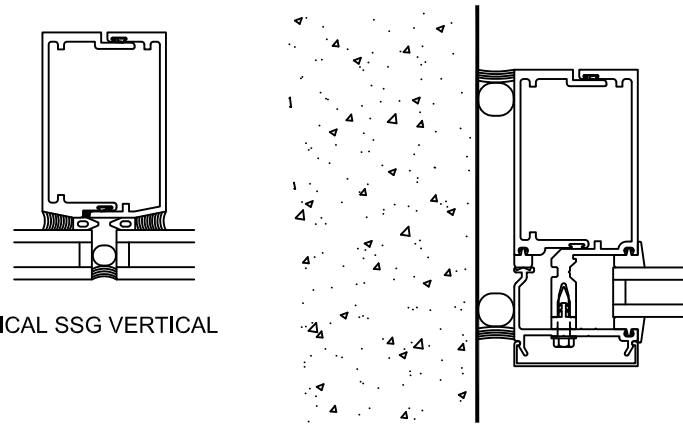
**WITH SSG**

THESE INSTRUCTIONS ARE TO BE USED IN CONJUNCTION WITH INSTRUCTIONS 166-979

UNLESS OTHERWISE SPECIFIED, IT IS RECOMMENDED THAT SILICONE SEALANT BE USED FOR ALL INTERNAL SEALS.

SEALANT MUST BE APPLIED PER THE SEALANT MANUFACTURER'S RECOMMENDATIONS AND PASS ALL ADHESION AND COMPATIBILITY TESTING. AT ALL JOINT SEALS, SEALANT MUST ADHERE TO METAL, GASKETS, THERMAL SEPARATOR AND JOINT PLUG MATERIALS. CLEAN ALL SURFACES PRIOR TO APPLICATION OF SEALANT AND PRIME WHERE NECESSARY TO ACHIEVE PROPER ADHESION.

VERTICALS ARE TYPICAL SSG TYPE AND JAMB VERTICALS ARE TO BE CAPTURED TYPE

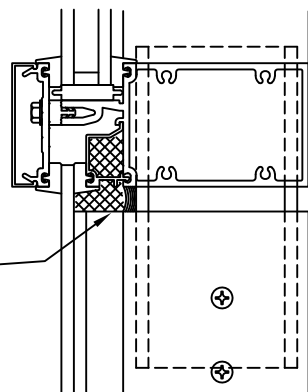


TYPICAL SSG VERTICAL

CAPTURED JAMB VERTICAL

VERTICAL MULLION SPLICE - VERTICAL MULLIONS THAT ARE STRUCTURALLY GLAZED MUST BE SPLICED AT A HORIZONTAL. LOCATION OF THIS SPLICE MUST BE REVIEWED FOR STRUCTURAL INTEGRITY BY FACTORY ENGINEERING.

TYPICAL SPLICE LOCATION VISION OVER SPANDREL HORIZONTAL



AT VERTICALS INSTALL 426-318 AIR SEAL

**STRUCTURAL SEAL NOTES**

STRUCTURAL SILICONE SEAL - THE GLAZING INSTALLER IS RESPONSIBLE FOR SELECTING AND CONTACTING THE SILICONE MANUFACTURER TO DETERMINE WHICH TYPE OF SILICONE IS TO BE USED AND WHAT SAMPLES ARE REQUIRED TO BE SUBMITTED FOR ADHESION AND COMPATIBILITY TESTING.

THE SILICONE SEALANT SHALL NOT BE APPLIED TO KAWNEER PRODUCTS WITHOUT THE APPROVAL OF THE SILICONE MANUFACTURER AND UNTIL ALL REQUIRED TESTING IS COMPLETED AND DETAILED APPLICATION INSTRUCTIONS HAVE BEEN DELIVERED TO THE INSTALLER BY THE SILICONE MANUFACTURER.

IF YOU FIND THE SILICONE MANUFACTURER'S INSTALLATION INSTRUCTIONS ARE NOT IN ACCORDANCE WITH KAWNEER'S INSTALLATION INSTRUCTIONS, IT IS YOUR RESPONSIBILITY TO NOTIFY KAWNEER OF THIS CONFLICT PRIOR TO GLAZING.

YOUR GLASS SUPPLIER MUST BE MADE AWARE THAT THEIR GLASS WILL BE USED IN A SSG APPLICATION. THE APPLICATION MUST BE APPROVED BY THE GLASS SUPPLIER PRIOR TO GLAZING.

FOR ANY STRUCTURAL SILICONE GLAZED PRODUCT APPLICATION THAT IS NOT SHOWN IN KAWNEER'S STANDARD PRODUCT LITERATURE, THE APPLICATION MUST BE PRE-APPROVED BY KAWNEER.

EXTERIOR GLASS WEATHER SEAL - SEALANT TO BE A TYPE AS RECOMMENDED BY THE MANUFACTURER OF THE STRUCTURAL SEALANT BEING USED FOR THIS PROJECT. SEALANT MUST BE APPLIED PER THE SEALANT MANUFACTURER'S RECOMMENDATIONS. WEATHER SEAL SEALANT MUST ADHERE TO EXTERIOR GASKET MATERIAL.

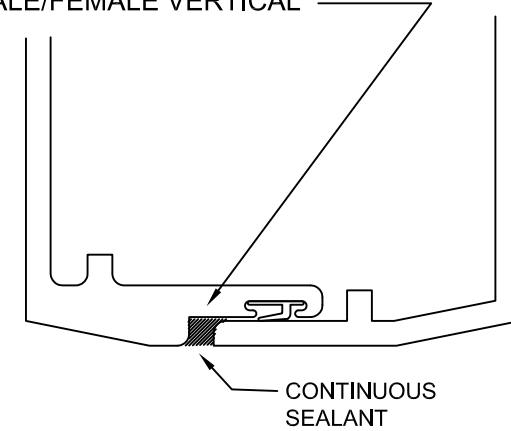
**FRAME ASSEMBLY**

FROM INSTRUCTIONS 166-979 ASSEMBLE UNITS AS NOTED ON SHEET 2 SILL TO SPLICE UNIT ON SHEET 3 SPLICE TO SPLICE UNIT ON SHEET 4 SPLICE TO HEAD UNIT

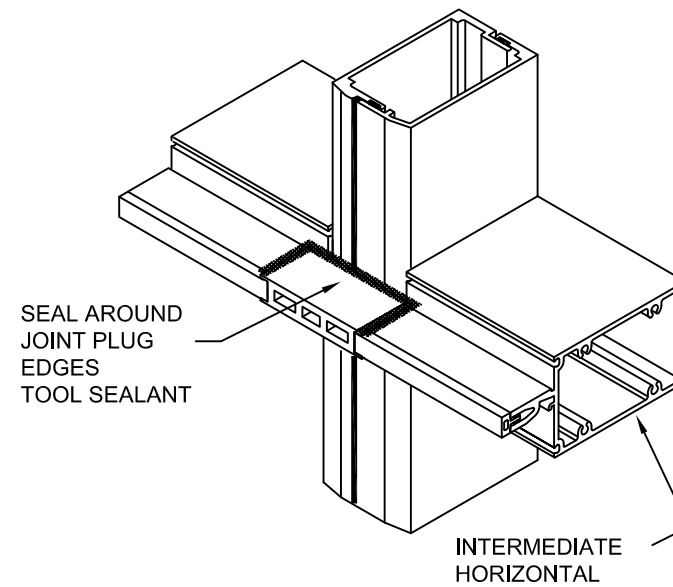
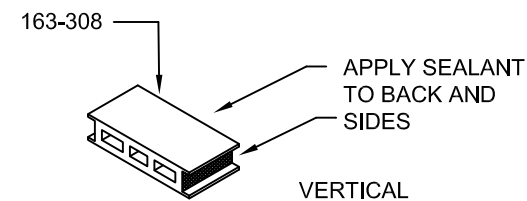
FROM INSTRUCTIONS 166-979 INSTALL UNITS AS SHOWN ON SHEETS 5, 6 AND 7

**FRAME ASSEMBLY**

FROM INSTRUCTIONS 166-979 SHEET 8 INSTALL AND SEAL JOINT PLUGS FOR CAPTURED VERTICALS INSTALL HEAD PRESSURE PLATE SEAL VERTICAL JOINT AT FACE OF MALE/FEMALE VERTICAL

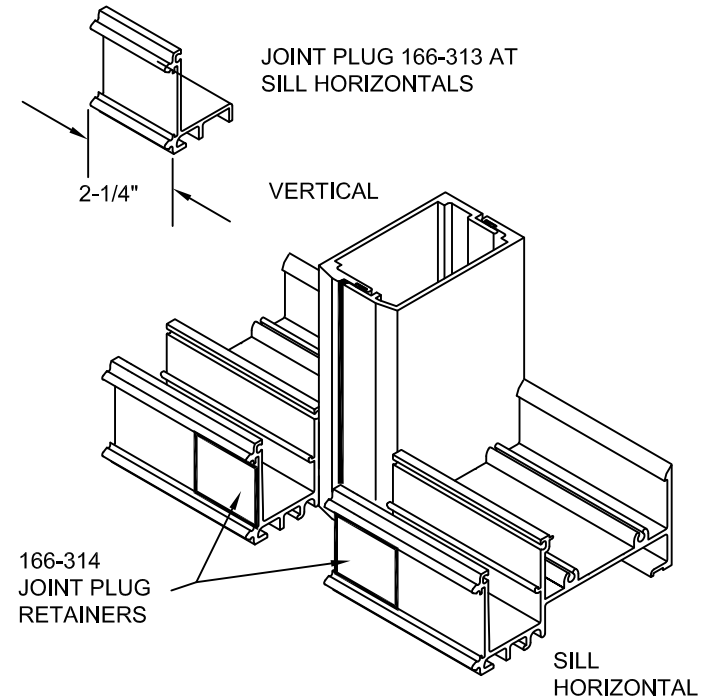


AT INTERMEDIATE HORIZONTAL AND HEAD INSTALL JOINT PLUG

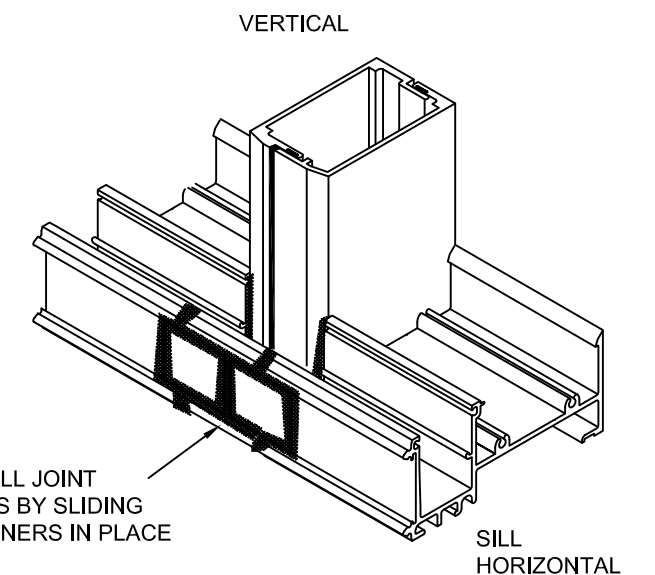


**INSTALL SSG JOINT PLUGS**

COORDINATE SEALING WITH EXTERIOR COVER INSTALLATION SO SEALANT WILL NOT BE CURED WHEN COVERS ARE INSTALLED



166-314 JOINT PLUG RETAINERS



INSTALL JOINT PLUGS BY SLIDING RETAINERS IN PLACE

COMPLETELY SEAL ALL JOINT PLUG JOINTS TOOLING SEALANT

**KAWNEER** 1600 SYSTEM 5  
 INSTALLATION - MALE/FEMALE  
 VERTICAL - EXTERIOR PRESSURE  
 PLATE GLAZED- SSG

PART NUMBER 166-980 1 OF 2

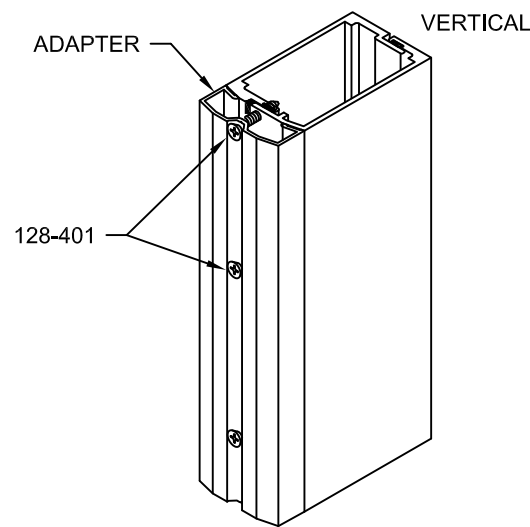
95488-31  
 07/25/07  
 DRAWING:  
 ORDER:  
 SHT:

**INSTALL 1/4" INFILL ADAPTERS**

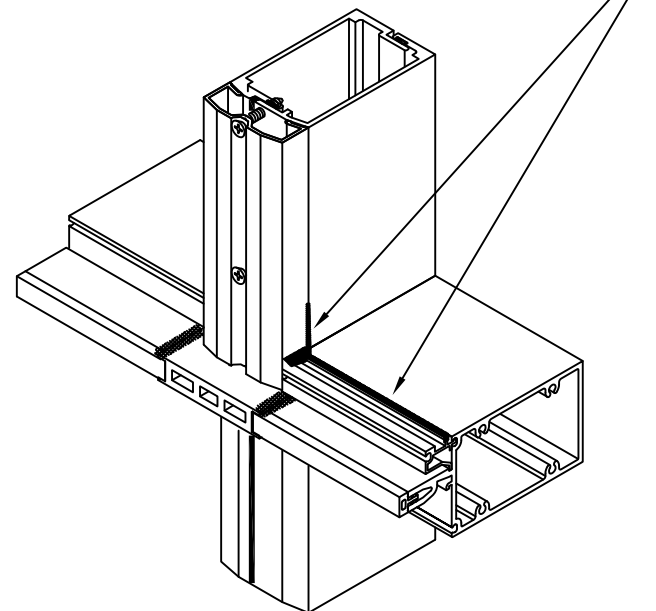
FROM INSTRUCTIONS 166-979 SHEET 9  
SEAL AND INSTALL ADAPTERS  
AS SHOWN

INSTALL SSG VERTICAL 1/4" INFILL  
ADAPTER AS SHOWN

USE 128-401 #10 X 1"  
FLAT HEAD TYPE B SCREW. DRILL .154 DIA.  
#23 DRILL INTO MULLION USING ADAPTER  
HOLES AS A PILOT  
SCREWS TO BE 4" FROM EACH END  
AND 9" ON CENTER



SEAL THE BOTTOM ADAPTER  
CONTINUOUS AND THE VERTICAL  
ADAPTERS UP 6" FROM THE  
BOTTOM



**INSTALL SETTING BLOCKS**

FROM INSTRUCTIONS 166-979 SHEET 10  
INSTALL SETTING BLOCKS AS SHOWN

**INSTALL INTERIOR GASKETS**

FROM INSTRUCTIONS 166-979 SHEET 10  
INSTALL INTERIOR GASKETS AS SHOWN

FOR HORIZONTALS AND CAPTURED JAMBS

**INSTALL PRESSURE PLATE GASKETS**

FROM INSTRUCTIONS 166-979 SHEET 10  
INSTALL PRESSURE PLATE  
GASKETS AS SHOWN

FOR HORIZONTALS AND CAPTURED JAMBS

**INSTALL GLASS AND TEMPORARIES**

FROM INSTRUCTIONS 166-979 SHEET 11  
INSTALL GLASS USING SAME SIDE BLOCKS  
AND TEMPORARIES AT CAPTURED VERTICALS

FROM INSTRUCTIONS 166-979 SHEET 11  
INSTALL GLASS FOR SSG VERTICALS USING  
TEMPORARIES SHOWN BELOW  
SIDE BLOCKS NOT REQUIRED

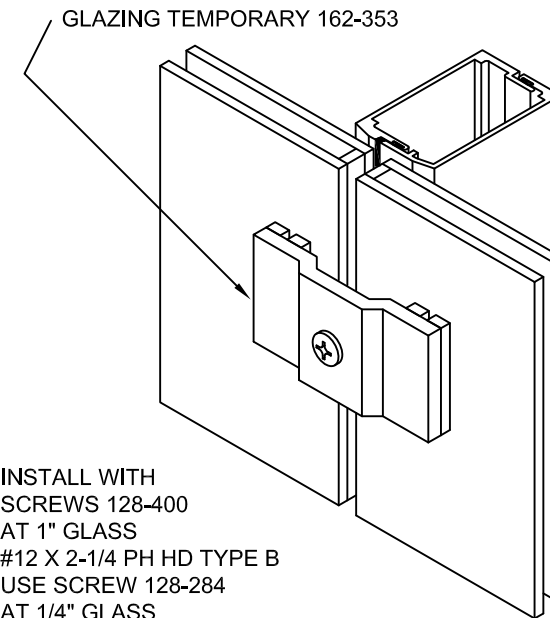
TEMPORARY RETAINERS FOR STRUCTURAL  
GLAZED VERTICALS.

THE LOCATION OF TEMPORARY EXTERIOR  
INFILL RETAINERS SHOULD BE AT A  
MAXIMUM SPACING OF 2'-6" ON CENTER.

IF HIGH WIND CONDITIONS ARE  
ANTICIPATED, ADDITIONAL RETAINERS  
MAY BE REQUIRED AND YOU SHOULD CONSULT  
YOUR SEALANT AND/OR INFILL SUPPLIER  
FOR SPACING RECOMMENDATIONS.

**INSTALL GLASS AND TEMPORARIES**

KAWNEER WILL FURNISH THE TEMPORARY  
SHOWN BELOW WHICH REQUIRES EXTERIOR  
INSTALLATION. AN ALTERNATIVE WOULD  
BE TO FABRICATE A CLIP WITH 2-SIDED  
TAPE TO TIE AROUND THE MULLION  
TOWARD THE INTERIOR.  
THESE WILL NOT BE BY KAWNEER



INSTALL WITH  
SCREWS 128-400  
AT 1" GLASS  
#12 X 2-1/4 PH HD TYPE B  
USE SCREW 128-284  
AT 1/4" GLASS  
#12 X 1-1/2 FL HD TYPE AB

AT CORNERS AND SPLAYS RETAINERS  
SHOULD BE MADE FROM A GOOD QUALITY  
HARDWOOD. THESE RETAINERS ARE NOT  
SUPPLIED BY KAWNEER.

**INSTALL PRESSURE PLATES**

FROM INSTRUCTIONS 166-979 SHEET  
12 INSTALL PRESSURE PLATES AND  
SILL GLAZING WEDGE  
HORIZONTAL PR PL AT SSG VERTICALS TO  
HAVE A SPLICE JOINT APPROXIMATELY  
EVERY 15 FT AT A VERTICAL CENTER

**SEAL PRESSURE PLATES**

FROM INSTRUCTIONS 166-979 SHEET 13  
SEAL PRESSURE PLATE AT CAPTURED  
VERTICALS AND SPLICE JOINTS AT  
SSG VERTICALS

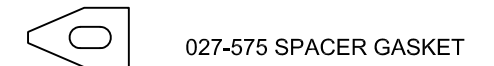
**INSTALL EXTERIOR COVERS**

FROM INSTRUCTIONS 166-979 SHEET 14  
INSTALL EXTERIOR COVERS

**INSTALL STRUCTURAL  
AND WEATHER SEALS**

KAWNEER DOES NOT SUPPLY SEALANT.  
SEALANT TO BE SILICONE AS RECOMMENDED BY  
THE SEALANT MANUFACTURER.  
INFILL AND METAL TO BE CLEANED PER THE  
SEALANT MANUFACTURER'S RECOMMENDATIONS.  
SEALANT BACKUP ROD TO BE PER THE SEALANT  
MANUFACTURER'S RECOMMENDATIONS.

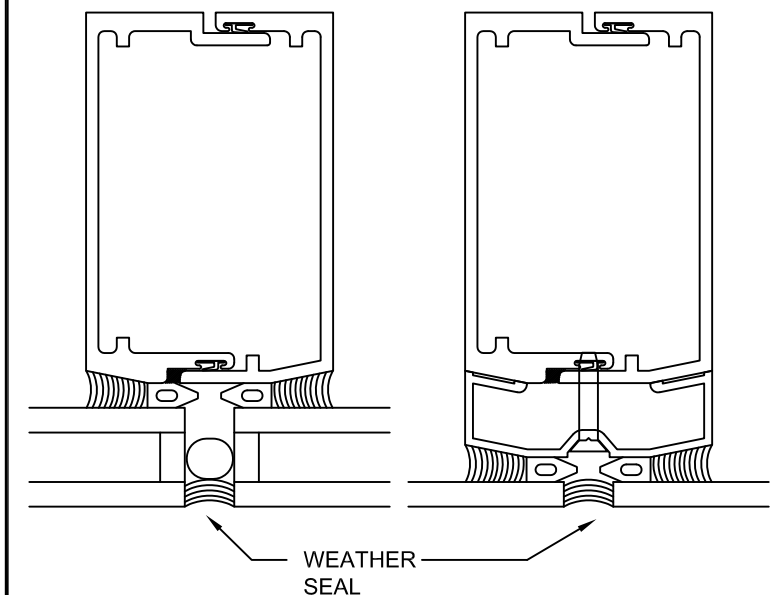
FILL SPACE BETWEEN INSULATED UNITS AND  
BEHIND SINGLE GLAZED UNITS WITH  
RECOMMENDED BACKUP ROD.  
APPLY STRUCTURAL SEAL AND WEATHER SEAL  
AS SHOWN.  
ALLOW STRUCTURAL SEAL TO CURE PER SEALANT  
MANUFACTURER'S RECOMMENDATIONS.  
THEN REMOVE TEMPORARY RETAINERS, SEAL FASTENER  
HOLES AND FILL WEATHER SEAL HOLES.



INSTALL BY INSERTING BETWEEN  
VERTICAL AND GLASS

1" INFILL AT INTERIOR  
STRUCTURAL SEAL

1/4" INFILL AT INTERIOR  
STRUCTURAL SEAL



**KAWNEER** 1600 SYSTEM 5  
INSTALLATION - MALE/FEMALE  
VERTICAL - EXTERIOR PRESSURE  
PLATE GLAZED- SSG

PART NUMBER  
166-980 2 OF 2

95488-31  
07/25/07  
DRAWING:  
ORDER:  
SHT: