

**NOTES FOR 1600 SYSTEM 5**

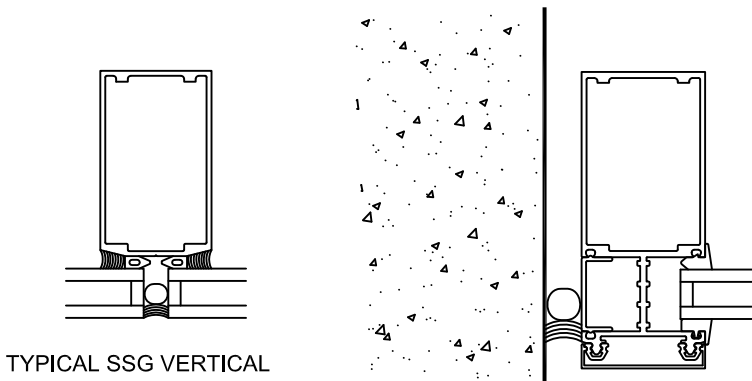
**WITH SSG**

THESE INSTRUCTIONS ARE TO BE USED IN CONJUNCTION WITH INSTRUCTIONS 166-972

UNLESS OTHERWISE SPECIFIED, IT IS RECOMMENDED THAT SILICONE SEALANT BE USED FOR ALL INTERNAL SEALS.

SEALANT MUST BE APPLIED PER THE SEALANT MANUFACTURER'S RECOMMENDATIONS AND PASS ALL ADHESION AND COMPATIBILITY TESTING. AT ALL JOINT SEALS, SEALANT MUST ADHERE TO METAL, GASKETS, THERMAL SEPARATOR AND JOINT PLUG MATERIALS. CLEAN ALL SURFACES PRIOR TO APPLICATION OF SEALANT AND PRIME WHERE NECESSARY TO ACHIEVE PROPER ADHESION.

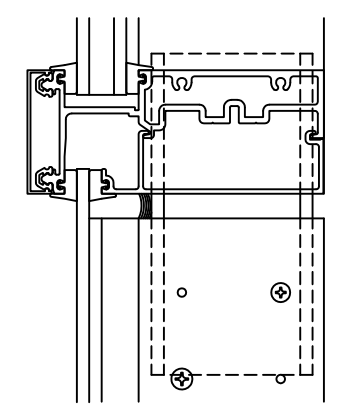
VERTICALS ARE TYPICAL SSG TYPE AND JAMB VERTICALS ARE TO BE CAPTURED TYPE



TYPICAL SSG VERTICAL

TYPICAL CAPTURED JAMB VERTICAL

VERTICAL MULLION SPLICE - VERTICAL MULLIONS THAT ARE STRUCTURALLY GLAZED MUST BE SPLICED AT A HORIZONTAL LOCATION OF THIS SPLICE MUST BE REVIEWED FOR STRUCTURAL INTEGRITY BY FACTORY ENGINEERING.



TYPICAL SPLICE LOCATION VISION OVER SPANDREL HORIZONTAL

**STRUCTURAL SEAL NOTES**

STRUCTURAL SILICONE SEAL - THE GLAZING INSTALLER IS RESPONSIBLE FOR SELECTING AND CONTACTING THE SILICONE MANUFACTURER TO DETERMINE WHICH TYPE OF SILICONE IS TO BE USED AND WHAT SAMPLES ARE REQUIRED TO BE SUBMITTED FOR ADHESION AND COMPATIBILITY TESTING.

THE SILICONE SEALANT SHALL NOT BE APPLIED TO KAWNEER PRODUCTS WITHOUT THE APPROVAL OF THE SILICONE MANUFACTURER AND UNTIL ALL REQUIRED TESTING IS COMPLETED AND DETAILED APPLICATION INSTRUCTIONS HAVE BEEN DELIVERED TO THE INSTALLER BY THE SILICONE MANUFACTURER.

IF YOU FIND THE SILICONE MANUFACTURER'S INSTALLATION INSTRUCTIONS ARE NOT IN ACCORDANCE WITH KAWNEER'S INSTALLATION INSTRUCTIONS, IT IS YOUR RESPONSIBILITY TO NOTIFY KAWNEER OF THIS CONFLICT PRIOR TO GLAZING.

YOUR GLASS SUPPLIER MUST BE MADE AWARE THAT THEIR GLASS WILL BE USED IN A SSG APPLICATION. THE APPLICATION MUST BE APPROVED BY THE GLASS SUPPLIER PRIOR TO GLAZING.

FOR ANY STRUCTURAL SILICONE GLAZED PRODUCT APPLICATION THAT IS NOT SHOWN IN KAWNEER'S STANDARD PRODUCT LITERATURE, THE APPLICATION MUST BE PRE-APPROVED BY KAWNEER.

EXTERIOR GLASS WEATHER SEAL - SEALANT TO BE A TYPE AS RECOMMENDED BY THE MANUFACTURER OF THE STRUCTURAL SEALANT BEING USED FOR THIS PROJECT.

SEALANT MUST BE APPLIED PER THE SEALANT MANUFACTURER'S RECOMMENDATIONS. WEATHER SEAL SEALANT MUST ADHERE TO EXTERIOR GASKET MATERIAL.

**FRAME ASSEMBLY**

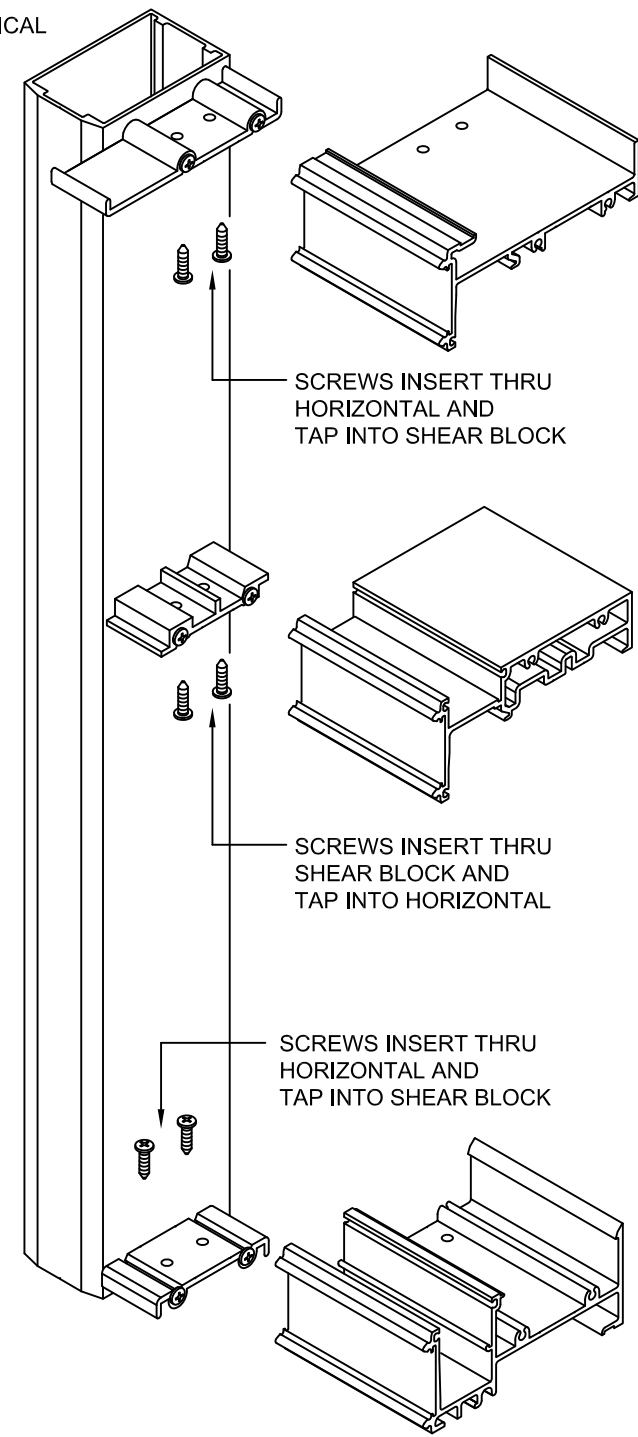
FROM INSTRUCTIONS 166-972 SHEET 2  
INSTALL SHEAR BLOCKS AT ALL SSG AND CAPTURED VERTICALS  
INSTALL JOINT PLUGS AT CAPTURED VERTICALS WHERE REQUIRED

FROM INSTRUCTIONS 166-972 SHEET 3  
INSTALL VERTICAL MULLIONS

FROM INSTRUCTIONS 166-972 SHEET 4  
INSTALL AND SEAL HORIZONTALS AT CAPTURED VERTICALS

**INSTALL HORIZONTALS SSG VERTICALS**

VERTICAL



HEAD HORIZONTAL

INSTALL HORIZONTALS WITH 128-293 SCREWS  
#12 x 5/8" PAN HEAD TYPE AB

SCREWS INSERT THRU HORIZONTAL AND TAP INTO SHEAR BLOCK

INTERMEDIATE HORIZONTAL

INSTALL HORIZONTALS WITH 128-293 SCREWS  
#12 x 5/8" PAN HEAD TYPE AB

SCREWS INSERT THRU SHEAR BLOCK AND TAP INTO HORIZONTAL

SILL HORIZONTAL

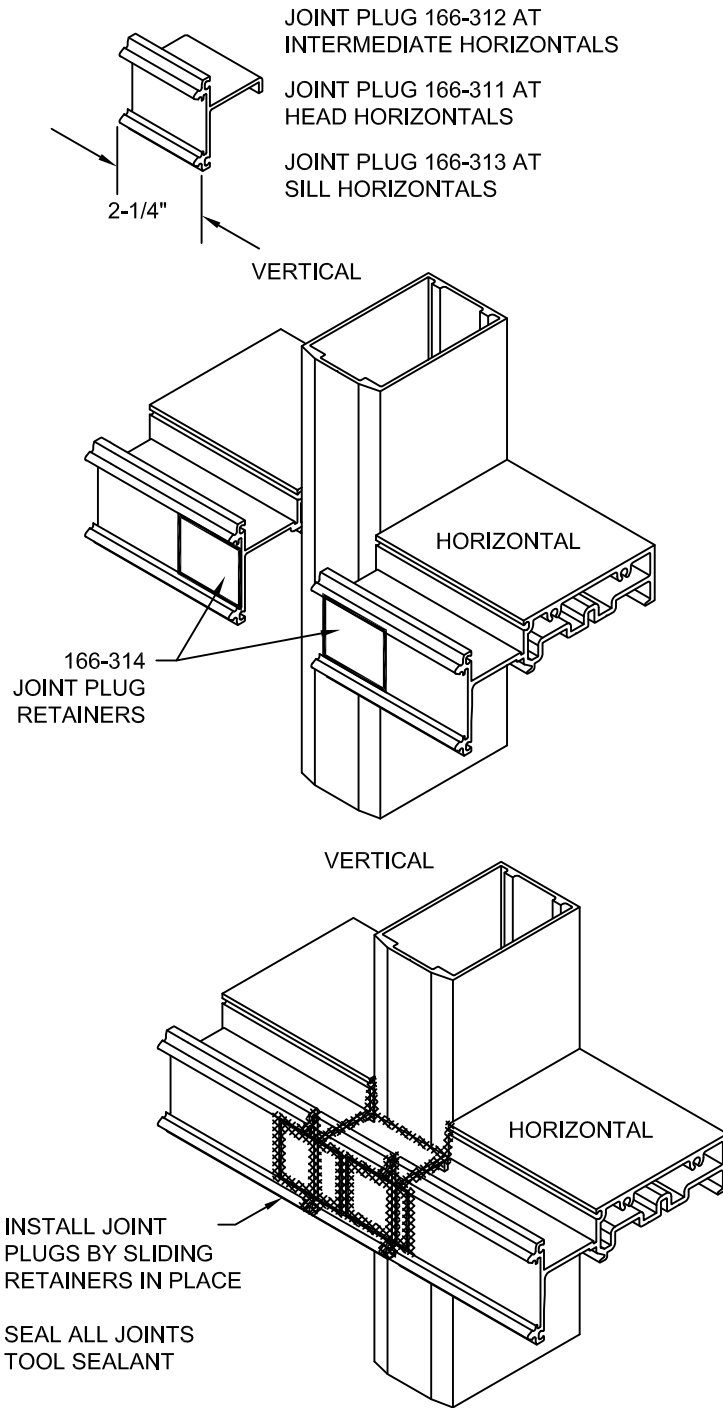
INSTALL HORIZONTALS WITH 128-293 SCREWS AS SHOWN 6" SYSTEM SIMILAR AT 4 1/2" SYSTEM  
#12 x 5/8" PAN HEAD TYPE AB

SCREWS INSERT THRU HORIZONTAL AND TAP INTO SHEAR BLOCK

<p>1600 SYSTEM 5 INSTALLATION SHEAR BLOCK - SSG</p>	<p>95488-31 07/25/07</p>
	<p>DRAWING:</p>
	<p>ORDER:</p>
	<p>SHT:</p>
<p>PART NUMBER 166-975 1 OF 4</p>	

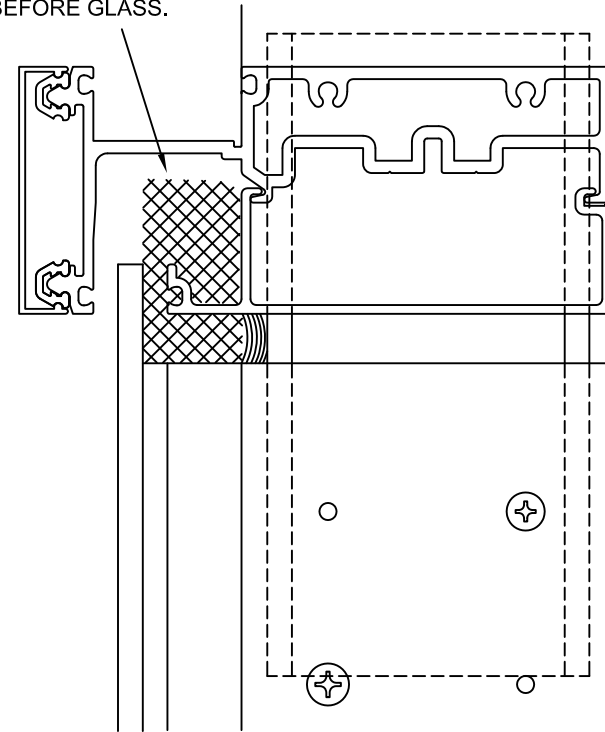
**INSTALL SSG JOINT PLUGS**

COORDINATE SEALING WITH EXTERIOR COVER INSTALLATION SO SEALANT WILL NOT BE CURED WHEN COVERS ARE INSTALLED

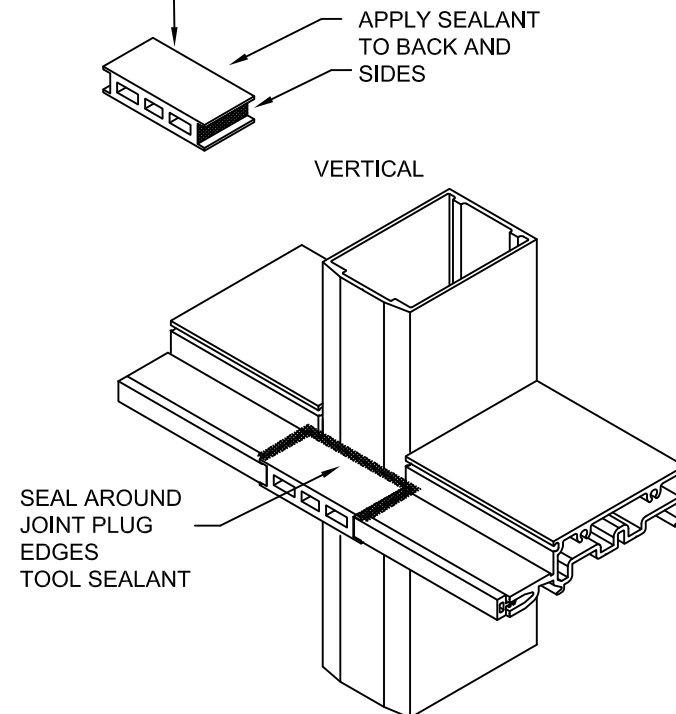


**INSTALL SSG JOINT PLUGS**

AT VERTICALS INSTALL 426-318 SPONGE AIR SEAL AND SEALANT BACKUP. AT INSIDE GLAZING INSTALL AFTER GLASS. AT OUTSIDE GLAZING INSTALL BEFORE GLASS.



AT EXTERIOR GLAZING INSTALL JOINT PLUG 163-308



**INSTALL EXTERIOR THERMAL CLIPS AND EXTERIOR COVERS**

FROM INSTRUCTIONS 166-972 SHEET 5  
 INSTALL THERMAL CLIPS AND EXTERIOR COVERS

HORIZONTAL COVERS WILL HAVE A SPLICE JOINT AND SLEEVE AT EVERY THIRD VERTICAL WITH A MAXIMUM OF ABOUT 15'-0" LONG

**SEAL JOINT PLUG TO HORIZONTAL**

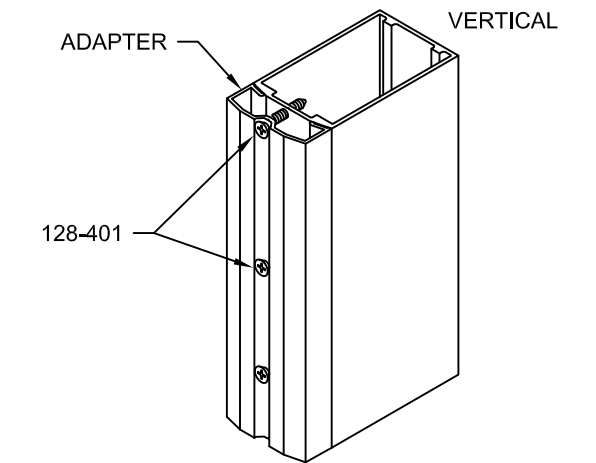
FROM INSTRUCTIONS 166-972 SHEET 6  
 FOR ALL HORIZONTALS  
 AT CAPTURED VERTICALS  
 SEAL JOINT AS SHOWN

**INSTALL 1/4" INFILL ADAPTERS**

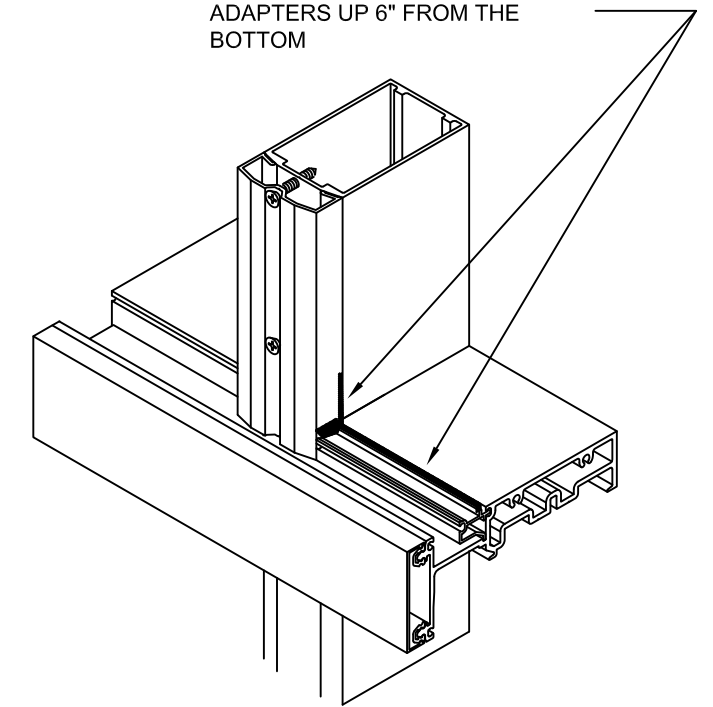
FROM INSTRUCTIONS 166-972 SHEET 6  
 SEAL AND INSTALL ADAPTERS AS SHOWN

INSTALL SSG VERTICAL 1/4" INFILL ADAPTER AS SHOWN

USE 128-401 #10 x 1" FLAT HEAD TYPE B SCREW. DRILL .154" DIA. #23 DRILL INTO MULLION USING ADAPTER HOLES AS A PILOT SCREWS TO BE 4" FROM EACH END AND 9" ON CENTER



SEAL THE BOTTOM ADAPTER CONTINUOUS AND THE VERTICAL ADAPTERS UP 6" FROM THE BOTTOM



1600 SYSTEM 5 INSTALLATION  
 SHEAR BLOCK - SSG

PART NUMBER  
 166-975 2 OF 4

95488-31  
 07/25/07

DRAWING:

ORDER:

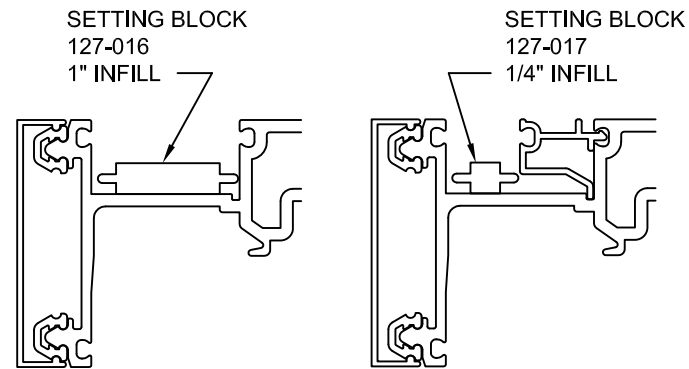
SHT:

### INTERIOR GLAZING

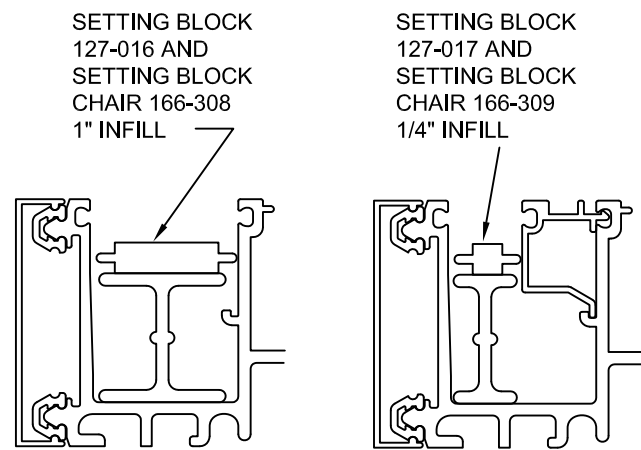
IT IS ESSENTIAL THAT ALL GUTTERS AT HORIZONTALS BE CLEANED PRIOR TO GLAZING.

THIS IS NECESSARY TO AVOID CLOGGING OF WEEP SYSTEMS AS WELL AS STAINING OF EXTERIOR METAL AND GLASS SURFACES.

INSTALL SETTING BLOCKS LOCATING PER APPROVED SHOP DRAWINGS.



INTERMEDIATE HORIZONTALS



SILL HORIZONTALS

NOTE - GASKET ASSEMBLIES ARE PREFERRED IN ORDER TO MAINTAIN THE GASKET CORNERS WHEN INSTALLING THE GLASS.  
IF ASSEMBLIES ARE NOT USED SEAL GASKET CORNERS AND ALLOW SEALANT TO SKIN OVER BEFORE INSTALLING THE GLASS.

### INTERIOR GLAZING

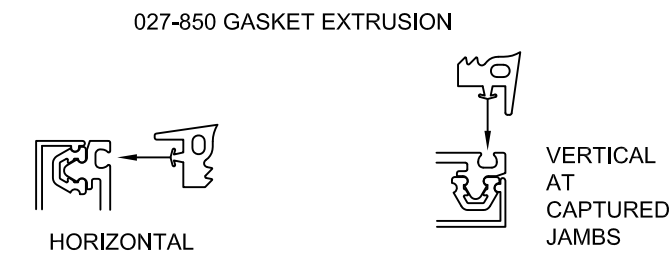
INSTALL EXTERIOR GASKETS.

GASKETS SHOULD BE INSTALLED JUST PRIOR TO GLASS TO AVOID GASKET CONTAMINATION BY JOB SITE DEBRIS.

IN TEMPERATURES COLDER THAN 50 DEGREES F, ARRANGEMENTS SHOULD BE MADE TO KEEP THE GASKETS WARM UNTIL INSTALLATION OF GASKETS AND GLASS. THIS WILL PREVENT EXCESSIVE GLAZING PRESSURE ON THE GLASS EDGE DUE TO COLD, STIFF GASKETS.

GASKETS CAN BECOME DEFORMED DURING STORAGE IN CARTONS. REMOVE GASKETS FROM CARTONS SEVERAL HOURS PRIOR TO USE AND ALLOW TO LAY FLAT OR HANG OVER RACK. TEMPERATURES SHOULD BE AT LEAST 50 DEGREES F.

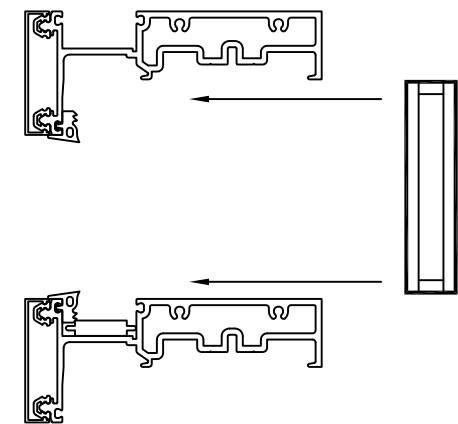
INSTALL GASKETS SLIGHTLY LONG FOR SOME "CROWD-IN". DO NOT STRETCH, CUT OR SPLICE GASKETS.



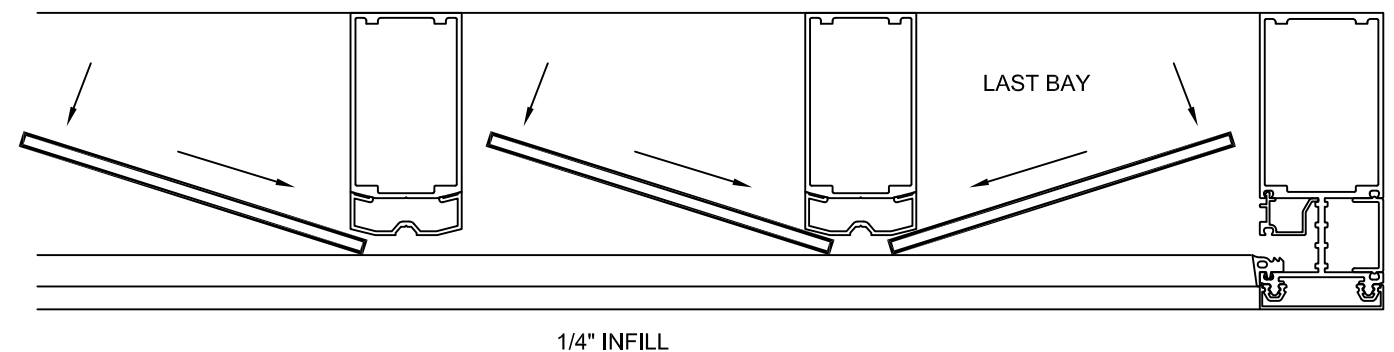
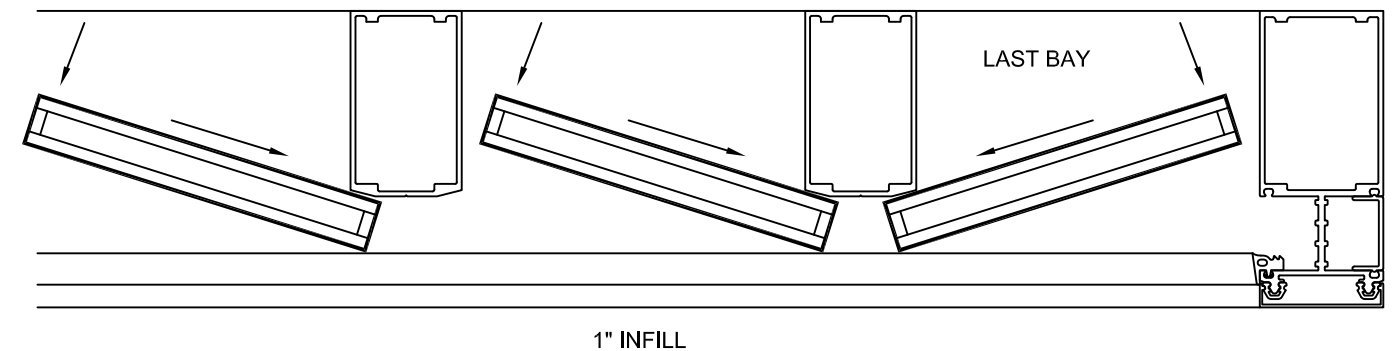
### INTERIOR GLAZING

INSTALL GLASS BY LIFTING ABOVE SILL AND INSERTING INTO DEEP VERTICAL POCKET AS SHOWN.

FOR EXTERIOR GLAZING NOTES SEE 166-972 SHEET 9



SET GLASS IN SEQUENCE IN ONE DIRECTION  
AT THE LAST BAY SLIDE THE PREVIOUS 2 LITES  
LATERALLY TO ALLOW ROOM TO GLAZE THE LAST LITE



<p>1600 SYSTEM 5 INSTALLATION SHEAR BLOCK - SSG</p>	<p>95488-31 07/25/07</p>
	<p>DRAWING:</p>
	<p>ORDER:</p>
	<p>SHT:</p>
<p>PART NUMBER 166-975 3 OF 4</p>	

## GLAZING

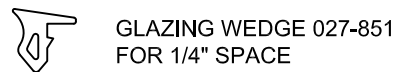
AFTER THE GLASS IS LOWERED ONTO THE SETTING BLOCKS AND CENTERED HORIZONTALLY LIFT THE GLASS SLIGHTLY AND PUSH FORWARD INTO THE EXTERIOR GASKETS.

REFERENCE - FGMA GLAZING MANUAL IN THE "GLASS SETTING" SECTION.

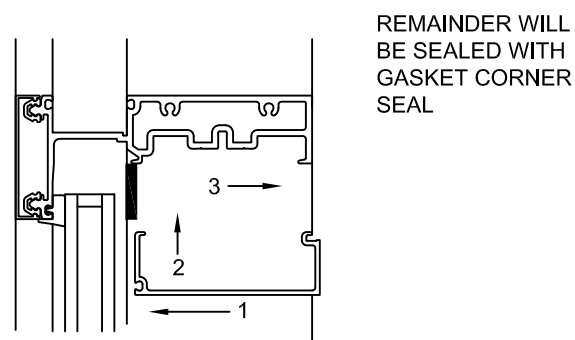
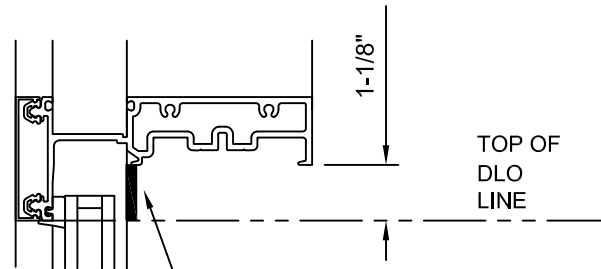
THE ABOVE WILL KEEP THE GLASS EDGE FROM DIGGING AND DEFORMING THE SETTING BLOCK. INSTALL A SHORT PIECE OF GLAZING WEDGE AT THE SETTING BLOCKS AS A TEMPORARY.

INSTALL A SHORT PIECE OF GLAZING WEDGE AT THE TWO VERTICALS AS A TEMPORARY. LOCATE TOWARDS THE TOP OF THE LITE.

MAY LUBRICATE WITH WATER AS REQUIRED



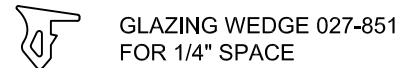
INSTALL TOP INTERIOR HORIZONTAL STOPS



AFTER THE STOP IS INSTALLED USE GLAZING WEDGE TEMPORARIES.

## GLAZING

INSTALL GLAZING WEDGE GASKET

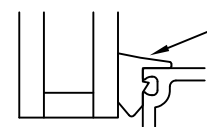


IN TEMPERATURES COLDER THAN 50 DEGREES F. ARRANGEMENTS SHOULD BE MADE TO KEEP THE GASKETS WARM UNTIL INSTALLATION OF GASKETS AND GLASS. THIS WILL PREVENT EXCESSIVE GLAZING PRESSURE ON THE GLASS EDGE DUE TO COLD, STIFF GASKETS.

GASKETS CAN BECOME DEFORMED DURING STORAGE IN CARTONS. REMOVE GASKETS FROM CARTONS SEVERAL HOURS PRIOR TO USE AND ALLOW TO LAY FLAT OR HANG OVER RACK. TEMPERATURES SHOULD BE AT LEAST 50 DEGREES F.

APPLY WEDGE GASKETS IN THE SHALLOW POCKET SIDES FIRST TO REDUCE ANY POSSIBLE ROTATION OF THE APPLIED PRESSURE PLATE.

WHEN STARTING THE WEDGE GASKET THE BEST PLACE TO START IS NEAR A TEMPORARY. CUT THE WEDGE 1/8" TO 1/4" PER FOOT LONG FOR GASKET "CROWD-IN". THE "CROWD-IN" TO BE BETWEEN STARTING POINTS AND AT CORNERS. DO NOT STRETCH TO FIT. SEAL CORNERS.



IT IS IMPORTANT THE WEDGE GASKET BE COMPLETELY SEATED WHEN INSTALLED. A GOOD CHECK IS TO LIFT UP THE TRIM LIP TO SEE HOW IT IS INSTALLED

WATER MAY BE USED TO LUBRICATE WEDGE GASKET. BEFORE SEALING CORNERS WIPE GASKET AND CORNER WITH A CLEAN RAG. BEST METHOD IS TO LEAVE CORNERS OUT FOR SOME TIME TO LET WATER EVAPORATE AND WIPE CLEAN.

IF THE INSTALLATION OF THE WEDGE REQUIRES EXCESSIVE FORCE OR THE WEDGE DOES NOT PROVIDE ENOUGH COMPRESSION ON THE EXTERIOR FIXED GASKET, CONTACT YOUR KAWNEER PROJECT MANAGER IMMEDIATELY.

## GLAZING TEMPORARIES

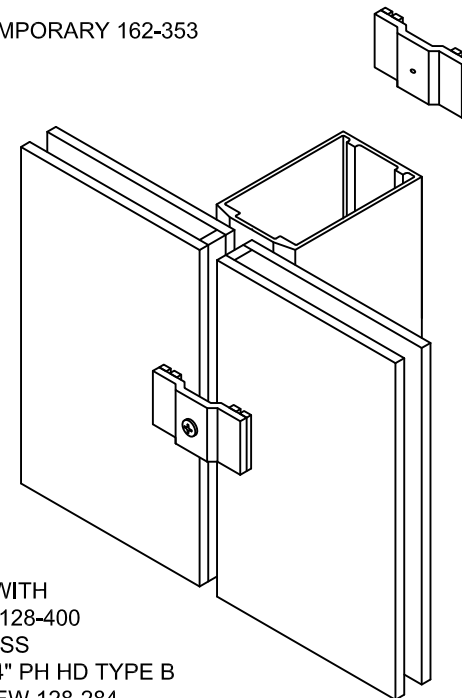
TEMPORARY RETAINERS FOR STRUCTURAL GLAZED VERTICALS.

THE LOCATION OF TEMPORARY EXTERIOR INFILL RETAINERS SHOULD BE AT A MAXIMUM SPACING OF 2'-6" ON CENTER.

IF HIGH WIND CONDITIONS ARE ANTICIPATED, ADDITIONAL RETAINERS MAY BE REQUIRED AND YOU SHOULD CONSULT YOUR SEALANT AND/OR INFILL SUPPLIER FOR SPACING RECOMMENDATIONS.

KAWNEER WILL FURNISH THE TEMPORARY SHOWN BELOW WHICH REQUIRES EXTERIOR INSTALLATION. AN ALTERNATIVE WOULD BE TO FABRICATE A CLIP WITH 2-SIDED TAPE TO TIE AROUND THE MULLION TOWARD THE INTERIOR. THESE WILL NOT BE BY KAWNEER

GLAZING TEMPORARY 162-353



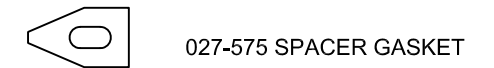
INSTALL WITH SCREWS 128-400 AT 1" GLASS #12 x 2 1/4" PH HD TYPE B USE SCREW 128-284 AT 1/4" GLASS #12 x 1 1/2" FL HD TYPE AB

AT CORNERS AND SPLAYS RETAINERS SHOULD BE MADE FROM A GOOD QUALITY HARDWOOD. THESE RETAINERS ARE NOT SUPPLIED BY KAWNEER.

## INSTALL STRUCTURAL AND WEATHER SEALS

KAWNEER DOES NOT SUPPLY SEALANT. SEALANT TO BE SILICONE AS RECOMMENDED BY THE SEALANT MANUFACTURER. INFILL AND METAL TO BE CLEANED PER THE SEALANT MANUFACTURER'S RECOMMENDATIONS. SEALANT BACKUP ROD TO BE PER THE SEALANT MANUFACTURER'S RECOMMENDATIONS.

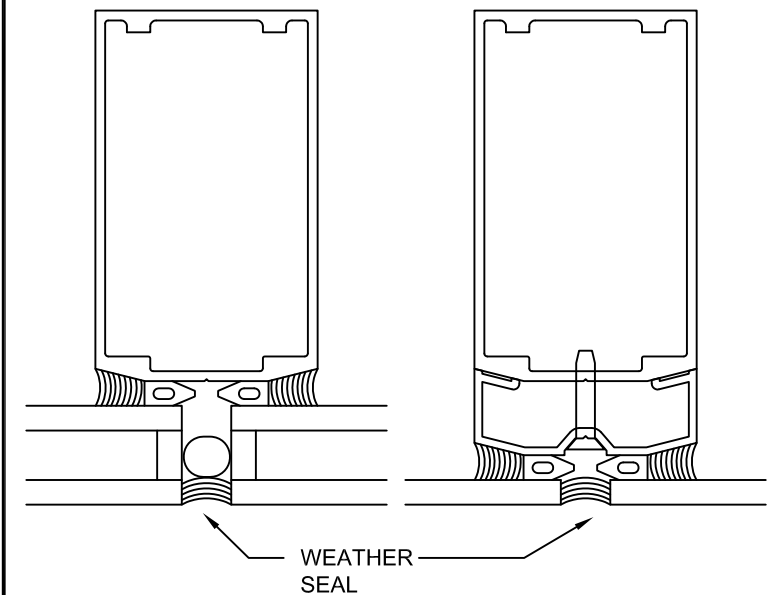
FILL SPACE BETWEEN INSULATED UNITS AND BEHIND SINGLE GLAZED UNITS WITH RECOMMENDED BACKUP ROD. APPLY STRUCTURAL SEAL AND WEATHER SEAL AS SHOWN. ALLOW STRUCTURAL SEAL TO CURE PER SEALANT MANUFACTURER'S RECOMMENDATIONS. THEN REMOVE TEMPORARY RETAINERS, SEAL FASTENER HOLES AND FILL WEATHER SEAL HOLES.



INSTALL BY INSERTING BETWEEN VERTICAL AND GLASS

1" INFILL AT INTERIOR STRUCTURAL SEAL

1/4" INFILL AT INTERIOR STRUCTURAL SEAL



1600 SYSTEM 5 INSTALLATION  
SHEAR BLOCK - SSG

PART NUMBER  
166-975 4 OF 4

95488-31  
07/25/07

DRAWING:

ORDER:

SHT: