

**NOTES FOR 1600 SYSTEM 5**

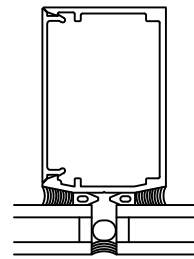
**WITH SSG**

THESE INSTRUCTIONS ARE TO BE USED IN CONJUNCTION WITH INSTRUCTIONS 166-971

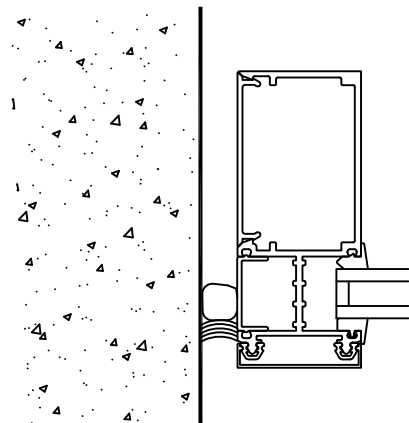
UNLESS OTHERWISE SPECIFIED, IT IS RECOMMENDED THAT SILICONE SEALANT BE USED FOR ALL INTERNAL SEALS.

SEALANT MUST BE APPLIED PER THE SEALANT MANUFACTURER'S RECOMMENDATIONS AND PASS ALL ADHESION AND COMPATIBILITY TESTING. AT ALL JOINT SEALS, SEALANT MUST ADHERE TO METAL, GASKETS, THERMAL SEPARATOR AND JOINT PLUG MATERIALS. CLEAN ALL SURFACES PRIOR TO APPLICATION OF SEALANT AND PRIME WHERE NECESSARY TO ACHIEVE PROPER ADHESION.

VERTICALS ARE TYPICAL SSG TYPE AND JAMB VERTICALS ARE TO BE CAPTURED TYPE



TYPICAL SSG VERTICAL



TYPICAL CAPTURED JAMB VERTICAL

**STRUCTURAL SEAL NOTES**

STRUCTURAL SILICONE SEAL - THE GLAZING INSTALLER IS RESPONSIBLE FOR SELECTING AND CONTACTING THE SILICONE MANUFACTURER TO DETERMINE WHICH TYPE OF SILICONE IS TO BE USED AND WHAT SAMPLES ARE REQUIRED TO BE SUBMITTED FOR ADHESION AND COMPATIBILITY TESTING.

THE SILICONE SEALANT SHALL NOT BE APPLIED TO KAWNEER PRODUCTS WITHOUT THE APPROVAL OF THE SILICONE MANUFACTURER AND UNTIL ALL REQUIRED TESTING IS COMPLETED AND DETAILED APPLICATION INSTRUCTIONS HAVE BEEN DELIVERED TO THE INSTALLER BY THE SILICONE MANUFACTURER.

IF YOU FIND THE SILICONE MANUFACTURER'S INSTALLATION INSTRUCTIONS ARE NOT IN ACCORDANCE WITH KAWNEER'S INSTALLATION INSTRUCTIONS, IT IS YOUR RESPONSIBILITY TO NOTIFY KAWNEER OF THIS CONFLICT PRIOR TO GLAZING.

YOUR GLASS SUPPLIER MUST BE MADE AWARE THAT THEIR GLASS WILL BE USED IN A SSG APPLICATION. THE APPLICATION MUST BE APPROVED BY THE GLASS SUPPLIER PRIOR TO GLAZING.

FOR ANY STRUCTURAL SILICONE GLAZED PRODUCT APPLICATION THAT IS NOT SHOWN IN KAWNEER'S STANDARD PRODUCT LITERATURE, THE APPLICATION MUST BE PRE-APPROVED BY KAWNEER.

EXTERIOR GLASS WEATHER SEAL - SEALANT TO BE A TYPE AS RECOMMENDED BY THE MANUFACTURER OF THE STRUCTURAL SEALANT BEING USED FOR THIS PROJECT. SEALANT MUST BE APPLIED PER THE SEALANT MANUFACTURER'S RECOMMENDATIONS. WEATHER SEAL SEALANT MUST ADHERE TO EXTERIOR GASKET MATERIAL.

**FRAME ASSEMBLY**

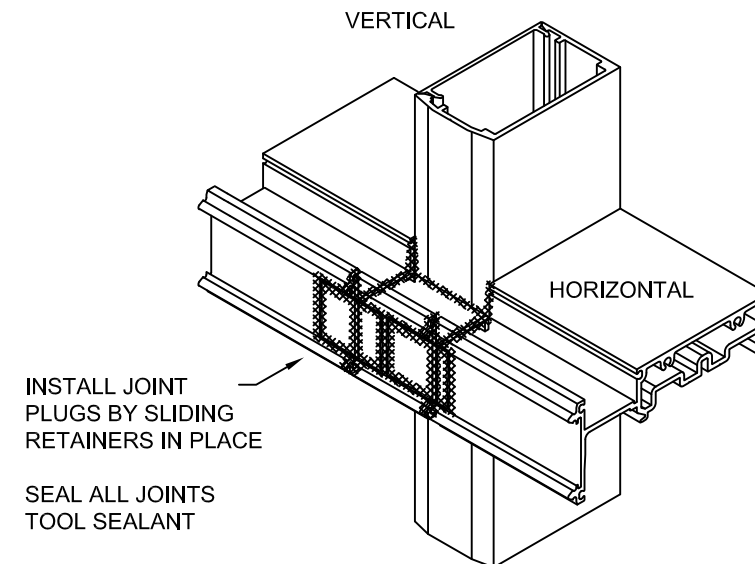
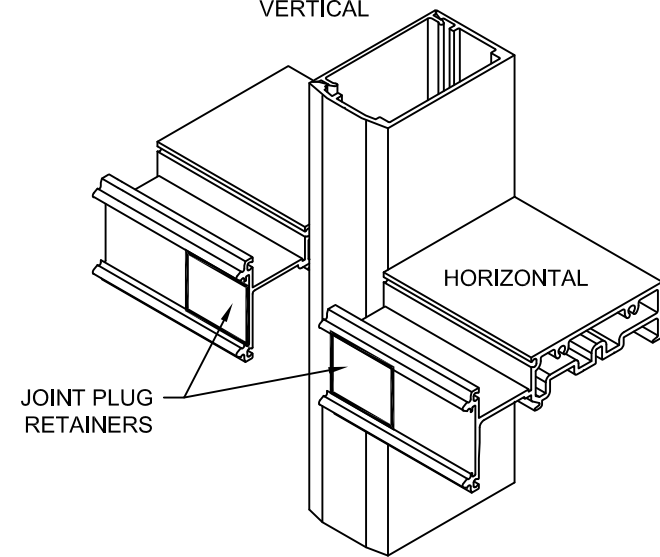
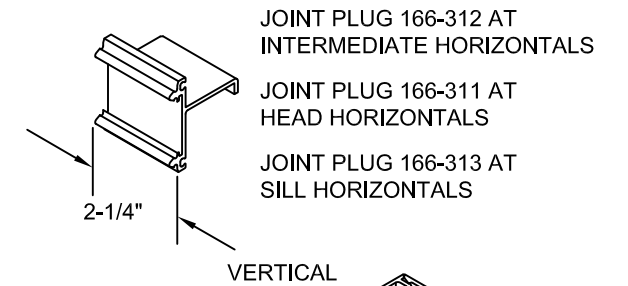
FROM INSTRUCTIONS 166-971 SHEET 2 JOINT PLUGS AT CAPTURED VERTICALS WHERE REQUIRED

FROM INSTRUCTIONS 166-971 SHEET 3 ASSEMBLE UNITS AS NOTED FOR EXTERIOR GLAZING SEE SHEET 4

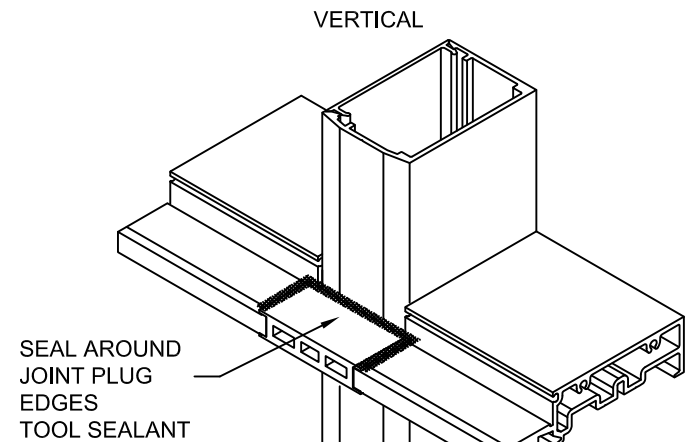
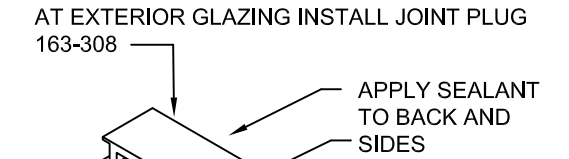
FROM INSTRUCTIONS 166-971 SHEET 5 INSTALL UNITS AS SHOWN

**INSTALL SSG JOINT PLUGS**

COORDINATE SEALING WITH EXTERIOR COVER INSTALLATION SO SEALANT WILL NOT BE CURED WHEN COVERS ARE INSTALLED



**INSTALL SSG JOINT PLUGS**



<p>1600 SYSTEM 5 INSTALLATION TYPE "A" UNITS - VERTICAL RUNS THRU - SSG</p>	<p>PART NUMBER 166-974 1 OF 4</p>	<p>95488-31 07/25/07</p>
	<p>DRAWING:</p>	<p>ORDER:</p>
	<p>SHT:</p>	

INSTALL EXTERIOR THERMAL CLIPS  
AND EXTERIOR COVERS

FROM INSTRUCTIONS 166-971 SHEET 6  
INSTALL THERMAL CLIPS AND  
EXTERIOR COVERS

HORIZONTAL COVERS WILL HAVE  
A SPLICE JOINT AND SLEEVE AT  
EVERY THIRD VERTICAL  
WITH A MAXIMUM OF ABOUT 15'-0" LONG

SEAL JOINT PLUG TO HORIZONTAL

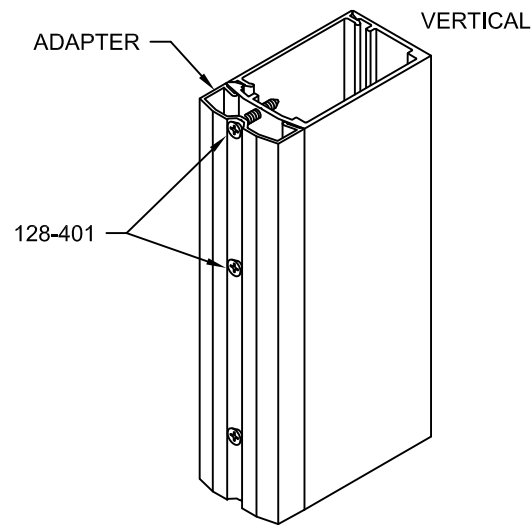
FROM INSTRUCTIONS 166-971 SHEET 7  
FOR INTERMEDIATE HORIZONTALS  
AT CAPTURED VERTICALS  
SEAL JOINT AS SHOWN

INSTALL 1/4" INFILL ADAPTERS

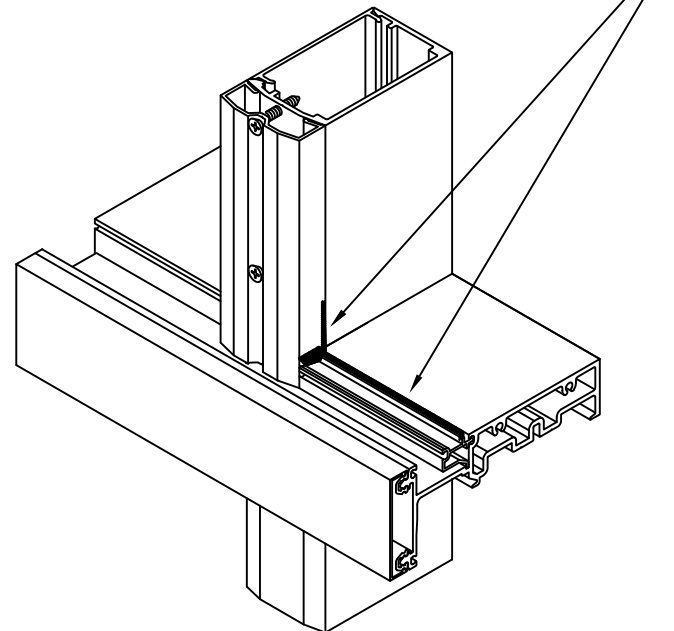
FROM INSTRUCTIONS 166-971 SHEET 7  
SEAL AND INSTALL ADAPTERS  
AS SHOWN

INSTALL SSG VERTICAL 1/4" INFILL  
ADAPTER AS SHOWN

USE 128-401 #10 x 1" FLAT HEAD  
TYPE B SCREW. DRILL .154" DIA.  
#23 DRILL INTO MULLION USING  
ADAPTER HOLES AS A PILOT  
SCREWS TO BE 4" FROM EACH END  
AND 9" ON CENTER



SEAL THE BOTTOM ADAPTER  
CONTINUOUS AND THE VERTICAL  
ADAPTERS UP 6" FROM THE  
BOTTOM

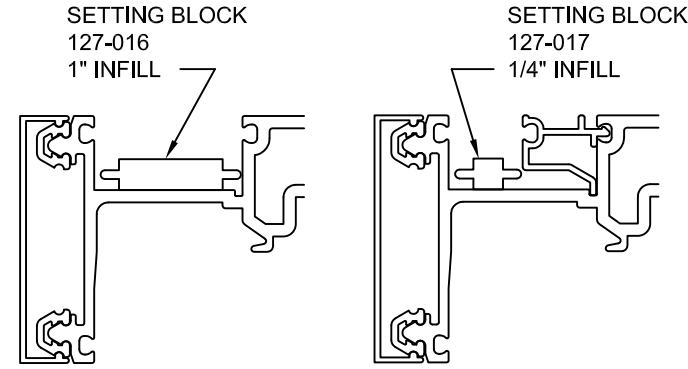


INTERIOR GLAZING

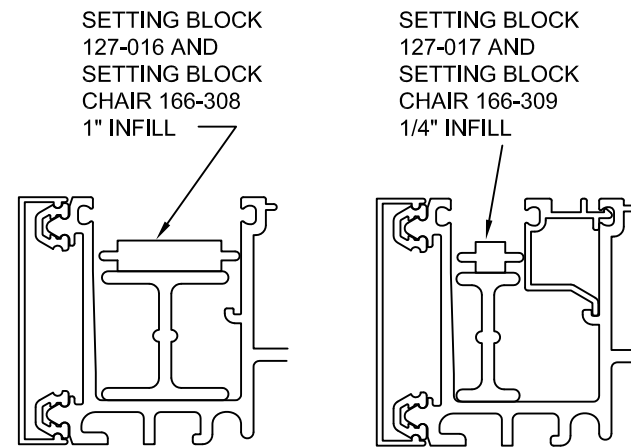
IT IS ESSENTIAL THAT ALL GUTTERS AT  
HORIZONTALS BE CLEANED PRIOR TO GLAZING.

THIS IS NECESSARY TO AVOID CLOGGING  
OF WEEP SYSTEMS AS WELL AS STAINING OF  
EXTERIOR METAL AND GLASS SURFACES.

INSTALL SETTING BLOCKS LOCATING PER  
APPROVED SHOP DRAWINGS.



INTERMEDIATE HORIZONTALS



SILL HORIZONTALS

INTERIOR GLAZING

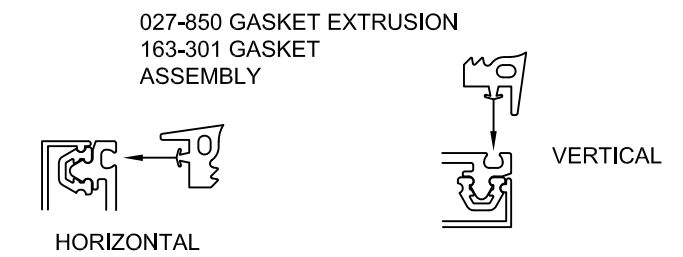
INSTALL EXTERIOR GASKET ASSEMBLIES.

GASKET ASSEMBLIES SHOULD BE INSTALLED  
JUST PRIOR TO GLASS FOR AVOIDING  
GASKET CONTAMINATION BY JOB SITE DEBRIS.

IN TEMPERATURES COLDER THAN 50 DEGREES F.  
ARRANGEMENTS SHOULD BE MADE TO KEEP THE  
GASKETS WARM UNTIL INSTALLATION OF  
GASKETS AND GLASS. THIS WILL AVOID  
EXCESSIVE GLAZING PRESSURE ON THE GLASS  
EDGE DUE TO COLD, STIFF GASKETS.

GASKETS CAN BECOME DEFORMED  
DURING STORAGE IN CARTONS. REMOVE  
GASKETS FROM CARTONS SEVERAL HOURS  
PRIOR TO USE AND ALLOW TO LAY FLAT OR  
HANG OVER RACK. TEMPERATURES SHOULD BE  
AT LEAST 50 DEGREES F.

INSTALL GASKET ASSEMBLIES STARTING AT  
THE CORNERS AND WORKING TOWARDS THE CENTER.  
BE SURE TO SQUARE THE CORNERS. GASKET  
ASSEMBLIES WILL BE SLIGHTLY LARGE FOR  
SOME "CROWD-IN". DO NOT STRETCH, CUT OR  
SPlice GASKETS.



1600 SYSTEM 5 INSTALLATION  
TYPE "A" UNITS - VERTICAL  
RUNS THRU - SSG

PART NUMBER  
166-974 2 OF 4

95488-31  
07/25/07

DRAWING:

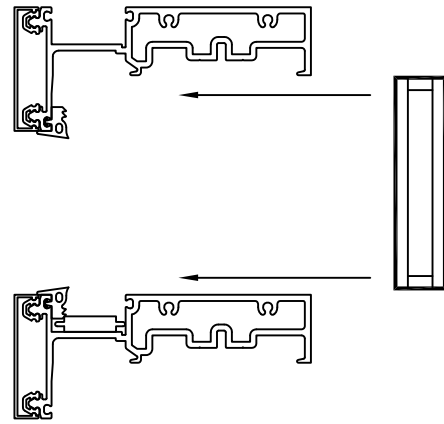
ORDER:

SHT:

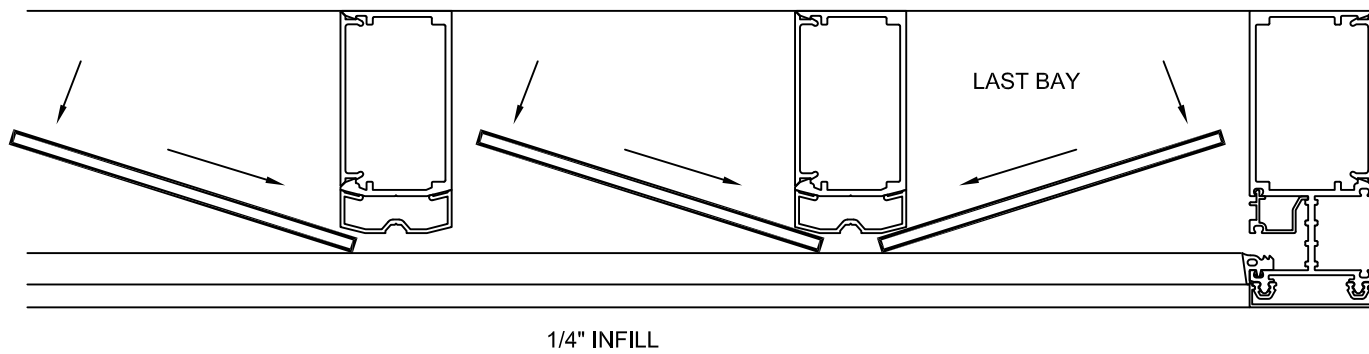
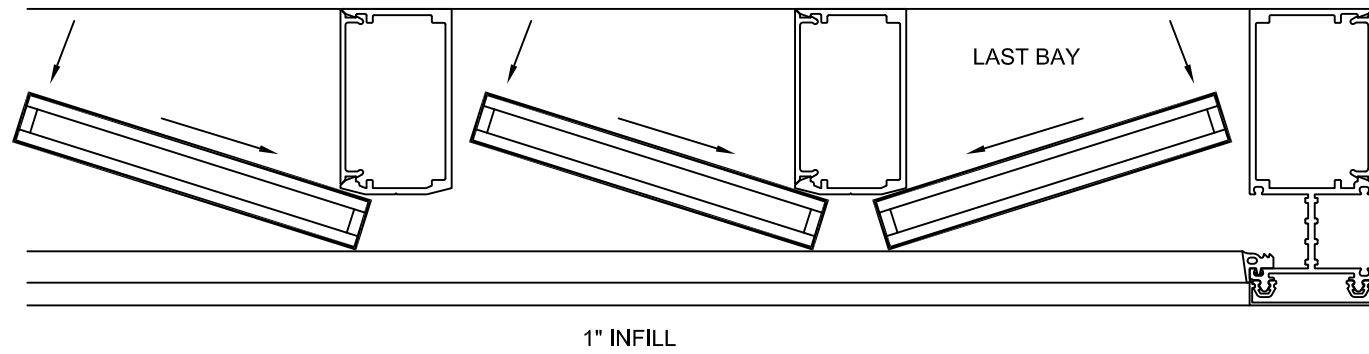
### INTERIOR GLAZING

INSTALL GLASS LIFTING ABOVE SILL AND INSERTING INTO DEEP VERTICAL POCKET AS SHOWN.

FOR EXTERIOR GLAZING NOTES SEE 166-971 SHEET 10



SET GLASS IN SEQUENCE IN ONE DIRECTION  
AT THE LAST BAY SLIDE THE PREVIOUS 2 LITES  
LATERALLY TO ALLOW ROOM TO GLAZE THE LAST LITE



### INTERIOR GLAZING

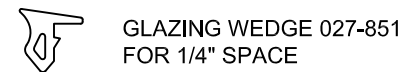
AFTER THE GLASS IS LOWERED ONTO THE SETTING BLOCKS AND CENTERED HORIZONTALLY LIFT THE GLASS SLIGHTLY AND PUSH FORWARD INTO THE EXTERIOR GASKETS.

REFERENCE - FGMA GLAZING MANUAL IN THE "GLASS SETTING" SECTION.

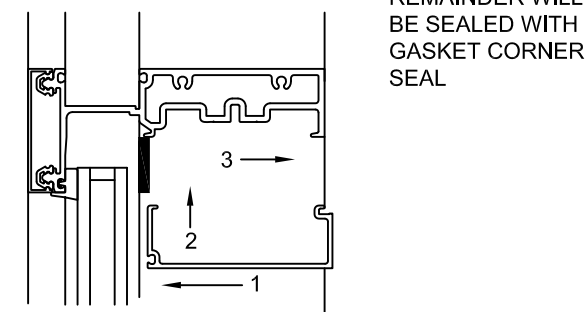
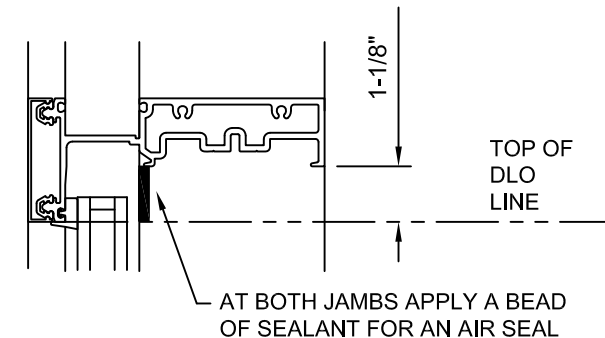
THE ABOVE WILL KEEP THE GLASS EDGE FROM DIGGING AND DEFORMING THE SETTING BLOCK. INSTALL A SHORT PIECE OF GLAZING WEDGE AT THE SETTING BLOCKS AS A TEMPORARY.

INSTALL A SHORT PIECE OF GLAZING WEDGE AT THE TWO VERTICALS AS A TEMPORARY. LOCATE TOWARDS THE TOP OF THE LITE.

MAY LUBRICATE WITH WATER AS REQUIRED



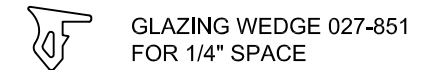
INSTALL TOP INTERIOR HORIZONTAL STOPS



AFTER THE STOP IS INSTALLED USE GLAZING WEDGE TEMPORARIES.

### INTERIOR GLAZING

INSTALL GLAZING WEDGE GASKET

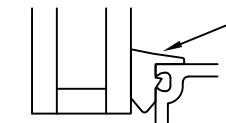


IN TEMPERATURES COLDER THAN 50 DEGREES F. ARRANGEMENTS SHOULD BE MADE TO KEEP THE GASKETS WARM UNTIL INSTALLATION OF GASKETS AND GLASS. THIS WILL PREVENT EXCESSIVE GLAZING PRESSURE ON THE GLASS EDGE DUE TO COLD, STIFF GASKETS.

GASKETS CAN BECOME DEFORMED DURING STORAGE IN CARTONS. REMOVE GASKETS FROM CARTONS SEVERAL HOURS PRIOR TO USE AND ALLOW TO LAY FLAT OR HANG OVER RACK. TEMPERATURES SHOULD BE AT LEAST 50 DEGREES F.

APPLY WEDGE GASKETS IN THE SHALLOW POCKET SIDES FIRST TO REDUCE ANY POSSIBLE ROTATION OF THE APPLIED PRESSURE PLATE.

WHEN STARTING THE WEDGE GASKET THE BEST PLACE TO START IS NEAR A TEMPORARY. CUT THE WEDGE 1/8" TO 1/4" PER FOOT LONG FOR GASKET "CROWD-IN". THE "CROWD-IN" TO BE BETWEEN STARTING POINTS AND AT CORNERS. DO NOT STRETCH TO FIT. SEAL CORNERS.



IT IS IMPORTANT THE WEDGE GASKET BE COMPLETELY SEATED WHEN INSTALLED. A GOOD CHECK IS TO LIFT UP THE TRIM LIP TO SEE HOW IT IS INSTALLED

WATER MAY BE USED TO LUBRICATE WEDGE GASKET. BEFORE SEALING CORNERS WIPE GASKET AND CORNER WITH A CLEAN RAG. BEST METHOD IS TO LEAVE CORNERS OUT FOR SOME TIME TO LET WATER EVAPORATE AND WIPE CLEAN.

IF THE INSTALLATION OF THE WEDGE REQUIRES EXCESSIVE FORCE OR THE WEDGE DOES NOT PROVIDE ENOUGH COMPRESSION ON THE EXTERIOR FIXED GASKET, CONTACT YOUR KAWNEER PROJECT MANAGER IMMEDIATELY.



1600 SYSTEM 5 INSTALLATION  
TYPE "A" UNITS - VERTICAL  
RUNS THRU - SSG

PART NUMBER  
166-974 3 OF 4

95488-31  
07/25/07

DRAWING:

ORDER:

SHT:

## GLAZING TEMPORARIES

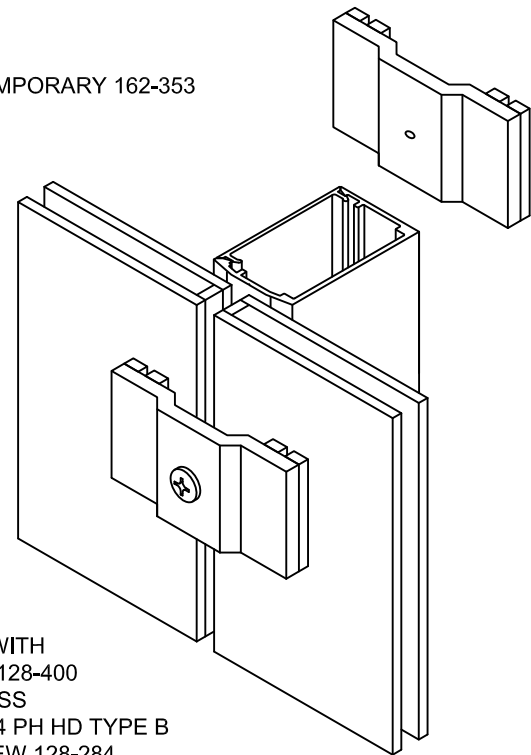
TEMPORARY RETAINERS FOR STRUCTURAL GLAZED VERTICALS.

THE LOCATION OF TEMPORARY EXTERIOR INFILL RETAINERS SHOULD BE AT A MAXIMUM SPACING OF 2'-6" ON CENTER.

IF HIGH WIND CONDITIONS ARE ANTICIPATED, ADDITIONAL RETAINERS MAY BE REQUIRED AND YOU SHOULD CONSULT YOUR SEALANT AND/OR INFILL SUPPLIER FOR SPACING RECOMMENDATIONS.

KAWNEER WILL FURNISH THE TEMPORARY SHOWN BELOW WHICH REQUIRES EXTERIOR INSTALLATION. AN ALTERNATIVE WOULD BE TO FABRICATE A CLIP WITH 2-SIDED TAPE TO TIE AROUND THE MULLION TOWARD THE INTERIOR. THESE WILL NOT BE BY KAWNEER

GLAZING TEMPORARY 162-353



INSTALL WITH SCREWS 128-400 AT 1" GLASS  
#12 X 2-1/4 PH HD TYPE B USE SCREW 128-284 AT 1/4" GLASS  
#12 X 1-1/2 FL HD TYPE AB

AT CORNERS AND SPLAYS RETAINERS SHOULD BE MADE FROM A GOOD QUALITY HARDWOOD. THESE RETAINERS ARE NOT SUPPLIED BY KAWNEER.

## INSTALL STRUCTURAL AND WEATHER SEALS

KAWNEER DOES NOT SUPPLY SEALANT. SEALANT TO BE SILICONE AS RECOMMENDED BY THE SEALANT MANUFACTURER. INFILL AND METAL TO BE CLEANED PER THE SEALANT MANUFACTURER'S RECOMMENDATIONS. SEALANT BACKUP ROD TO BE PER THE SEALANT MANUFACTURER'S RECOMMENDATIONS.

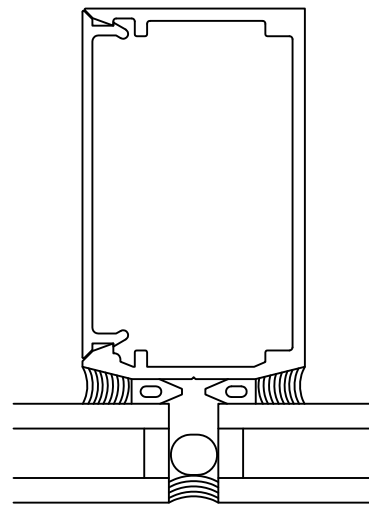
FILL SPACE BETWEEN INSULATED UNITS AND BEHIND SINGLE GLAZED UNITS WITH RECOMMENDED BACKUP ROD. APPLY STRUCTURAL SEAL AND WEATHER SEAL AS SHOWN. ALLOW STRUCTURAL SEAL TO CURE PER SEALANT MANUFACTURER'S RECOMMENDATIONS. THEN REMOVE TEMPORARY RETAINERS, SEAL FASTENER HOLES AND FILL WEATHER SEAL HOLES.



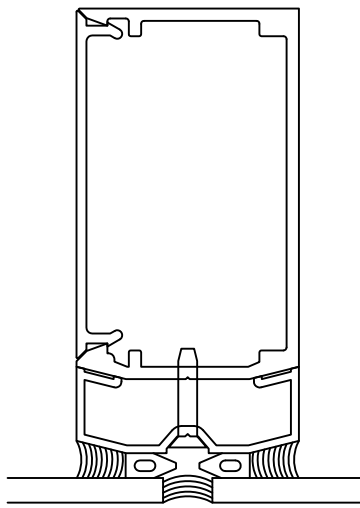
027-575 SPACER GASKET

INSTALL BY INSERTING BETWEEN VERTICAL AND GLASS

1" INFILL AT INTERIOR STRUCTURAL SEAL



1/4" INFILL AT INTERIOR STRUCTURAL SEAL



WEATHER SEAL



1600 SYSTEM 5 INSTALLATION  
TYPE "A" UNITS - VERTICAL  
RUNS THRU - SSG

PART NUMBER  
166-974 4 OF 4

95488-31  
07/25/07

DRAWING:

ORDER:

SHT: