

NOTES FOR 1600 SYSTEM 5

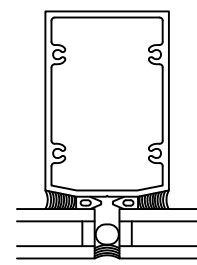
WITH SSG

THESE INSTRUCTIONS ARE TO BE USED IN CONJUNCTION WITH INSTRUCTIONS 166-970

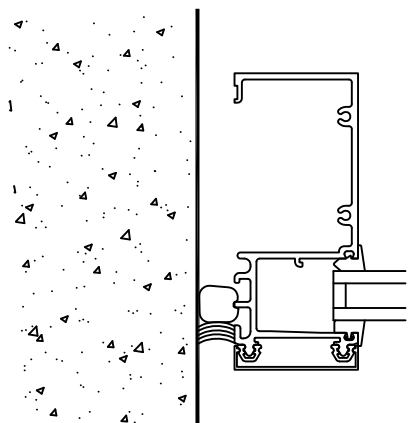
UNLESS OTHERWISE SPECIFIED, IT IS RECOMMENDED THAT SILICONE SEALANT BE USED FOR ALL INTERNAL SEALS.

SEALANT MUST BE APPLIED PER THE SEALANT MANUFACTURER'S RECOMMENDATIONS AND PASS ALL ADHESION AND COMPATIBILITY TESTING. AT ALL JOINT SEALS, SEALANT MUST ADHERE TO METAL, GASKETS, THERMAL SEPARATOR AND JOINT PLUG MATERIALS. CLEAN ALL SURFACES PRIOR TO APPLICATION OF SEALANT AND PRIME WHERE NECESSARY TO ACHIEVE PROPER ADHESION.

VERTICALS ARE TYPICAL SSG TYPE AND JAMB VERTICALS ARE TO BE CAPTURED TYPE



TYPICAL SSG VERTICAL



TYPICAL CAPTURED JAMB VERTICAL

STRUCTURAL SEAL NOTES

STRUCTURAL SILICONE SEAL - THE GLAZING INSTALLER IS RESPONSIBLE FOR SELECTING AND CONTACTING THE SILICONE MANUFACTURER TO DETERMINE WHICH TYPE OF SILICONE IS TO BE USED AND WHAT SAMPLES ARE REQUIRED TO BE SUBMITTED FOR ADHESION AND COMPATIBILITY TESTING.

THE SILICONE SEALANT SHALL NOT BE APPLIED TO KAWNEER PRODUCTS WITHOUT THE APPROVAL OF THE SILICONE MANUFACTURER AND UNTIL ALL REQUIRED TESTING IS COMPLETED AND DETAILED APPLICATION INSTRUCTIONS HAVE BEEN DELIVERED TO THE INSTALLER BY THE SILICONE MANUFACTURER.

IF YOU FIND THE SILICONE MANUFACTURER'S INSTALLATION INSTRUCTIONS ARE NOT IN ACCORDANCE WITH KAWNEER'S INSTALLATION INSTRUCTIONS, IT IS YOUR RESPONSIBILITY TO NOTIFY KAWNEER OF THIS CONFLICT PRIOR TO GLAZING.

YOUR GLASS SUPPLIER MUST BE MADE AWARE THAT THEIR GLASS WILL BE USED IN A SSG APPLICATION. THE APPLICATION MUST BE APPROVED BY THE GLASS SUPPLIER PRIOR TO GLAZING.

FOR ANY STRUCTURAL SILICONE GLAZED PRODUCT APPLICATION THAT IS NOT SHOWN IN KAWNEER'S STANDARD PRODUCT LITERATURE, THE APPLICATION MUST BE PRE-APPROVED BY KAWNEER.

EXTERIOR GLASS WEATHER SEAL - SEALANT TO BE A TYPE AS RECOMMENDED BY THE MANUFACTURER OF THE STRUCTURAL SEALANT BEING USED FOR THIS PROJECT. SEALANT MUST BE APPLIED PER THE SEALANT MANUFACTURER'S RECOMMENDATIONS. WEATHER SEAL SEALANT MUST ADHERE TO EXTERIOR GASKET MATERIAL.

FRAME ASSEMBLY

FROM INSTRUCTIONS 166-970 SHEET 2 INSTALL SHEAR BLOCKS AND JOINT PLUGS AT CAPTURED VERTICALS WHERE REQUIRED

FROM INSTRUCTIONS 166-970 SHEET 3 ASSEMBLE UNITS AS NOTED

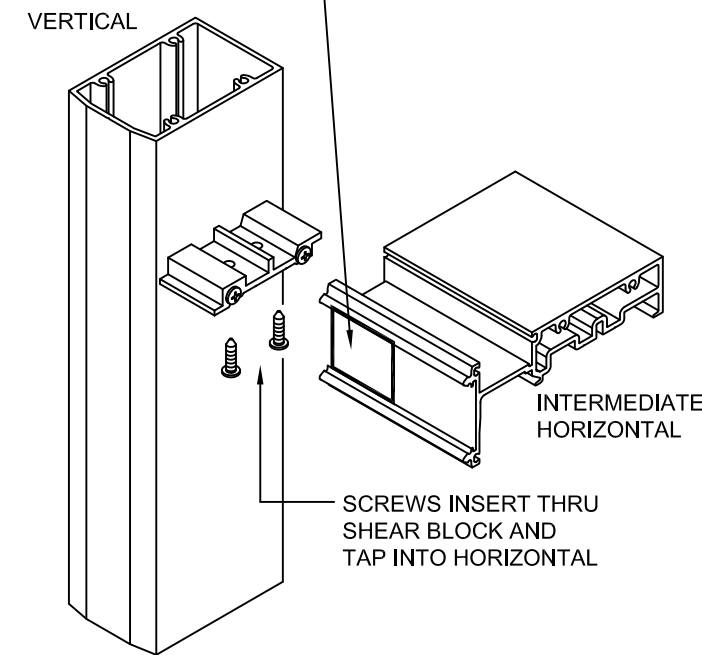
FROM INSTRUCTIONS 166-970 SHEET 4 INSTALL END CAPS

FOR EXTERIOR GLAZING SEE 166-970 SHEET 5

INSTALL INTERMEDIATE HORIZONTALS

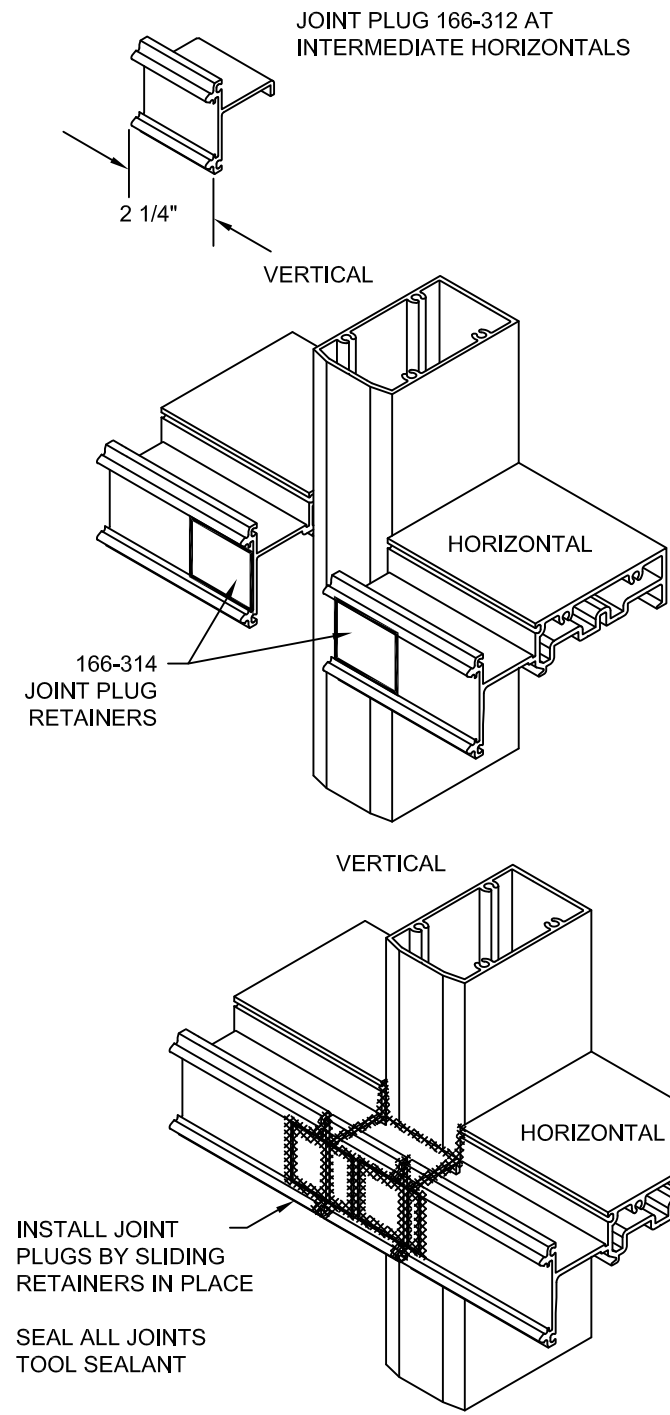
INSTALL HORIZONTALS WITH 128-293 SCREWS AS SHOWN #12 x 5/8" PAN HEAD TYPE AB

BEFORE INSTALLING HORIZONTALS AT SSG VERTICALS INSTALL 166-314 JOINT PLUG RETAINERS IN EACH END OF THE HORIZONTAL. 166-314 IS A 1/16" ALUMINUM PLATE 1 11/16" x 2 1/4"



INSTALL SSG JOINT PLUGS

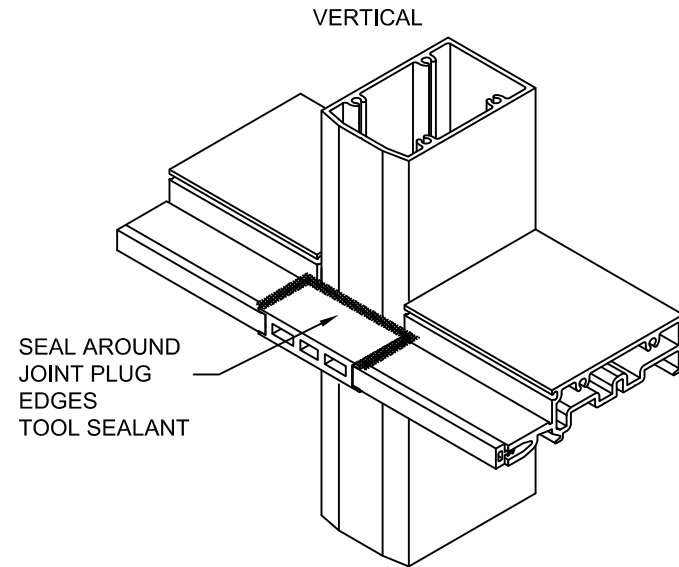
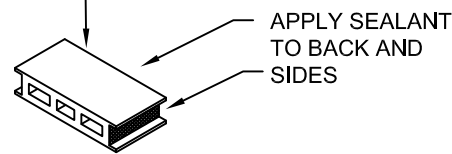
COORDINATE SEALING WITH EXTERIOR COVER INSTALLATION SO SEALANT WILL NOT BE CURED WHEN COVERS ARE INSTALLED



<p>1600 SYSTEM 5 INSTALLATION TYPE "B" UNITS - HEAD/SILL RUNS THRU - SSG</p>	<p>PART NUMBER 166-973 1 OF 4</p>	<p>95488-31 07/25/07</p>
	<p>DRAWING:</p>	<p>ORDER:</p>
	<p>SHT:</p>	

INSTALL SSG JOINT PLUGS

AT EXTERIOR GLAZING INSTALL JOINT PLUG 163-308



INSTALL EXTERIOR THERMAL CLIPS AND EXTERIOR COVERS

FROM INSTRUCTIONS 166-970 SHEET 6
INSTALL THERMAL CLIPS AND EXTERIOR COVERS

SEAL JOINT PLUG TO HORIZONTAL

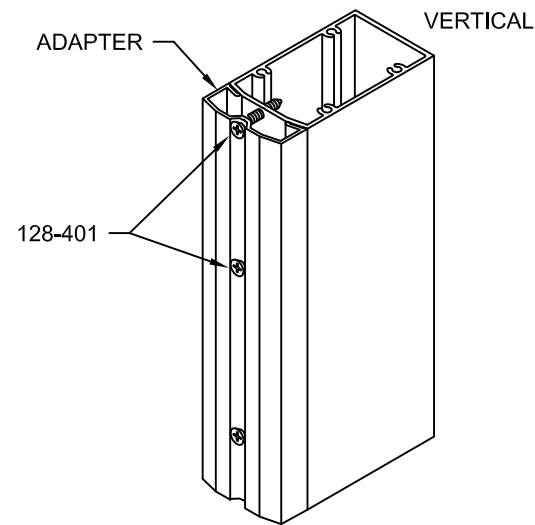
FROM INSTRUCTIONS 166-970 SHEET 7
FOR INTERMEDIATE HORIZONTALS
AT CAPTURED VERTICALS
SEAL JOINT AS SHOWN

INSTALL 1/4" INFILL ADAPTERS

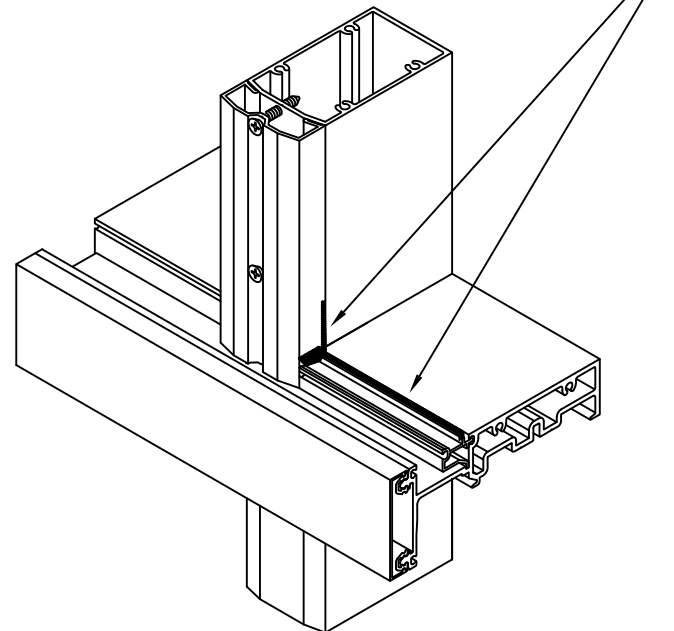
FROM INSTRUCTIONS 166-970 SHEET 7
SEAL AND INSTALL ADAPTERS
AS SHOWN

INSTALL SSG VERTICAL 1/4" INFILL
ADAPTER AS SHOWN

USE 128-401 #10 x 1" FLAT HEAD
TYPE B SCREW. DRILL .154" DIA.
#23 DRILL INTO MULLION USING
ADAPTER HOLES AS A PILOT
SCREWS TO BE 4" FROM EACH END
AND 9" ON CENTER



SEAL THE BOTTOM ADAPTER
CONTINUOUS AND THE VERTICAL
ADAPTERS UP 6" FROM THE
BOTTOM

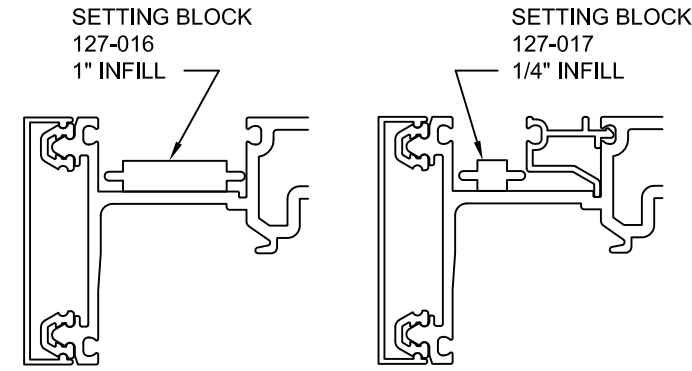


INTERIOR GLAZING

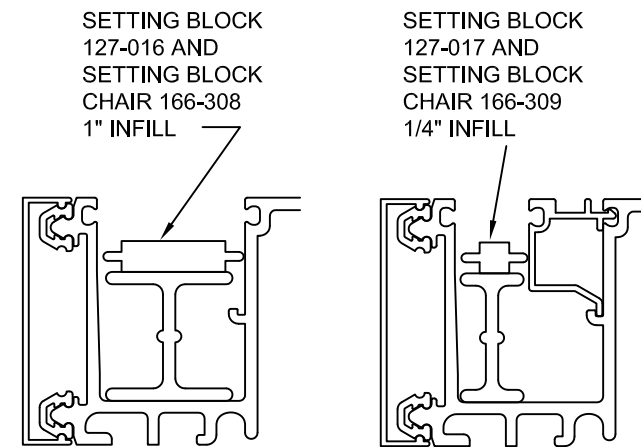
IT IS ESSENTIAL THAT ALL GUTTERS AT
HORIZONTALS BE CLEANED PRIOR TO GLAZING.

THIS IS NECESSARY TO AVOID CLOGGING
OF WEEP SYSTEMS AS WELL AS STAINING OF
EXTERIOR METAL AND GLASS SURFACES.

INSTALL SETTING BLOCKS LOCATING PER
APPROVED SHOP DRAWINGS.



INTERMEDIATE HORIZONTALS



SILL HORIZONTALS

INTERIOR GLAZING

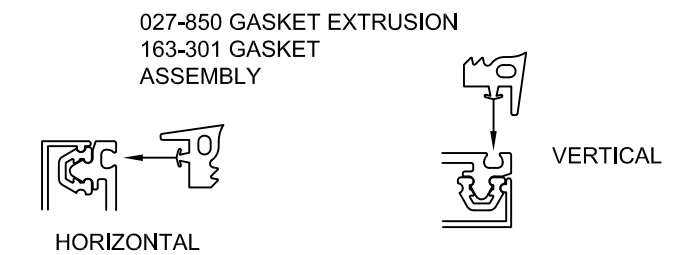
INSTALL EXTERIOR GASKET ASSEMBLIES.

GASKET ASSEMBLIES SHOULD BE INSTALLED
JUST PRIOR TO GLASS TO AVOID GASKET
CONTAMINATION BY JOB SITE DEBRIS.

IN TEMPERATURES COLDER THAN 50 DEGREES F,
ARRANGEMENTS SHOULD BE MADE TO KEEP THE
GASKETS WARM UNTIL INSTALLATION OF
GASKETS AND GLASS. THIS WILL PREVENT
EXCESSIVE GLAZING PRESSURE ON THE GLASS
EDGE DUE TO COLD, STIFF GASKETS.

GASKETS CAN BECOME DEFORMED
DURING STORAGE IN CARTONS. REMOVE
GASKETS FROM CARTONS SEVERAL HOURS
PRIOR TO USE AND ALLOW TO LAY FLAT OR
HANG OVER RACK. TEMPERATURES SHOULD BE
AT LEAST 50 DEGREES F.

INSTALL GASKET ASSEMBLIES STARTING AT
THE CORNERS AND WORKING TOWARDS THE CENTER.
BE SURE TO SQUARE THE CORNERS. GASKET
ASSEMBLIES WILL BE SLIGHTLY LARGE FOR
SOME "CROWD-IN". DO NOT STRETCH, CUT OR
SPlice GASKETS.



1600 SYSTEM 5 INSTALLATION
TYPE "B" UNITS - HEAD/SILL
RUNS THRU - SSG

PART NUMBER
166-973 2 OF 4

95488-31
07/25/07

DRAWING:

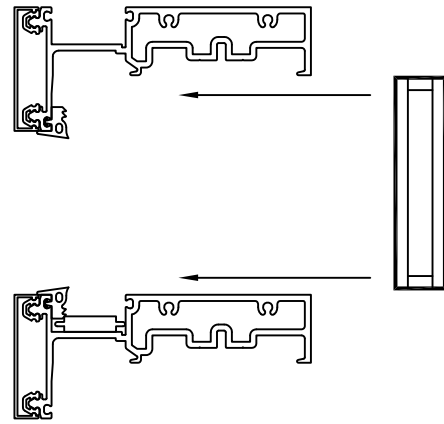
ORDER:

SHT:

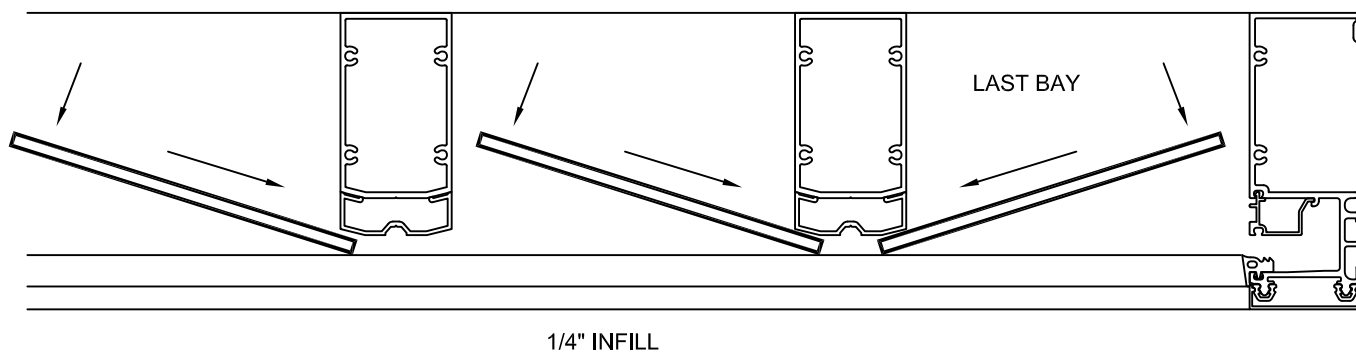
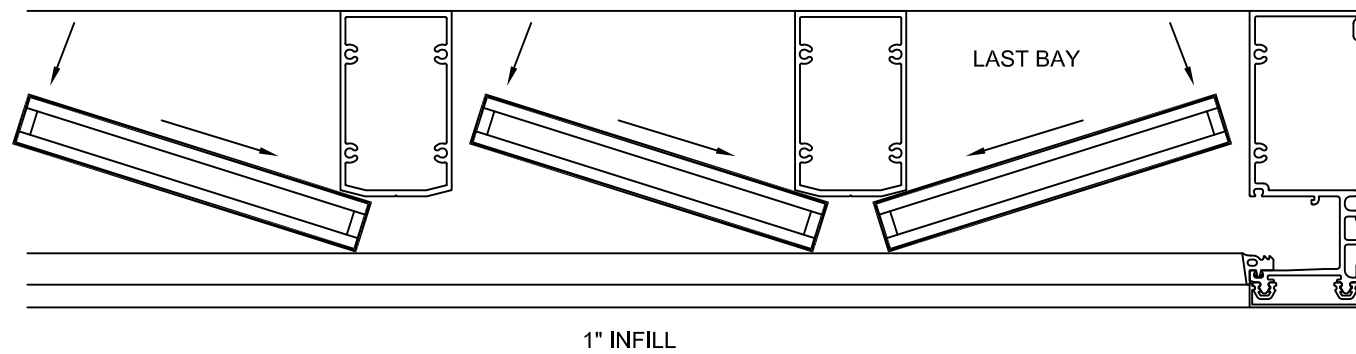
INTERIOR GLAZING

INSTALL GLASS BY LIFTING ABOVE SILL AND INSERTING INTO DEEP VERTICAL POCKET AS SHOWN.

FOR EXTERIOR GLAZING NOTES SEE 166-970 SHEET 10



SET GLASS IN SEQUENCE IN ONE DIRECTION
AT THE LAST BAY SLIDE THE PREVIOUS 2 LITES
LATERALLY TO ALLOW ROOM TO GLAZE THE LAST LITE



INTERIOR GLAZING

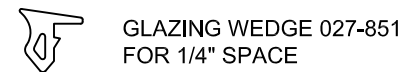
AFTER THE GLASS IS LOWERED ONTO THE SETTING BLOCKS AND CENTERED HORIZONTALLY LIFT THE GLASS SLIGHTLY AND PUSH FORWARD INTO THE EXTERIOR GASKETS.

REFERENCE - FGMA GLAZING MANUAL IN THE "GLASS SETTING" SECTION.

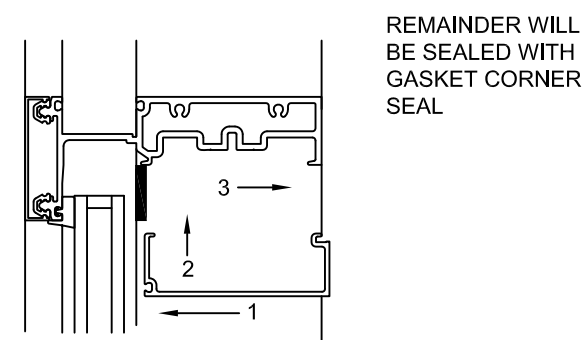
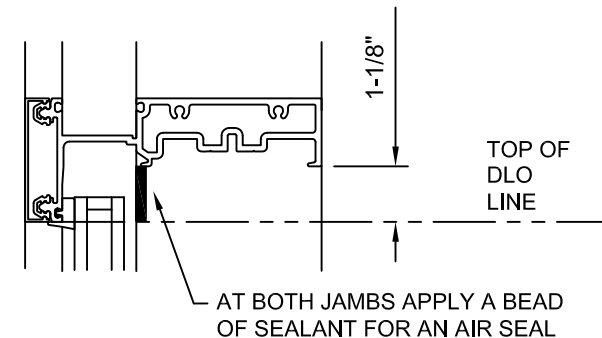
THE ABOVE WILL KEEP THE GLASS EDGE FROM DIGGING AND DEFORMING THE SETTING BLOCK. INSTALL A SHORT PIECE OF GLAZING WEDGE AT THE SETTING BLOCKS AS A TEMPORARY.

INSTALL A SHORT PIECE OF GLAZING WEDGE AT THE TWO VERTICALS AS A TEMPORARY. LOCATE TOWARDS THE TOP OF THE LITE.

MAY LUBRICATE WITH WATER AS REQUIRED



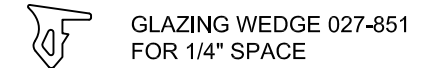
INSTALL TOP INTERIOR HORIZONTAL STOPS



AFTER THE STOP IS INSTALLED USE GLAZING WEDGE TEMPORARIES.

INTERIOR GLAZING

INSTALL GLAZING WEDGE GASKET

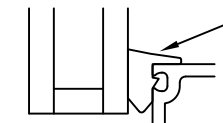


IN TEMPERATURES COLDER THAN 50 DEGREES F. ARRANGEMENTS SHOULD BE MADE TO KEEP THE GASKETS WARM UNTIL INSTALLATION OF GASKETS AND GLASS. THIS WILL PREVENT EXCESSIVE GLAZING PRESSURE ON THE GLASS EDGE DUE TO COLD, STIFF GASKETS.

GASKETS CAN BECOME DEFORMED DURING STORAGE IN CARTONS. REMOVE GASKETS FROM CARTONS SEVERAL HOURS PRIOR TO USE AND ALLOW TO LAY FLAT OR HANG OVER RACK. TEMPERATURES SHOULD BE AT LEAST 50 DEGREES F.

APPLY WEDGE GASKETS IN THE SHALLOW POCKET SIDES FIRST TO REDUCE ANY POSSIBLE ROTATION OF THE APPLIED PRESSURE PLATE.

WHEN STARTING THE WEDGE GASKET THE BEST PLACE TO START IS NEAR A TEMPORARY. CUT THE WEDGE 1/8" TO 1/4" PER FOOT LONG FOR GASKET "CROWD-IN". THE "CROWD-IN" TO BE BETWEEN STARTING POINTS AND AT CORNERS. DO NOT STRETCH TO FIT. SEAL CORNERS.



IT IS IMPORTANT THE WEDGE GASKET BE COMPLETELY SEATED WHEN INSTALLED. A GOOD CHECK IS TO LIFT UP THE TRIM LIP TO SEE HOW IT IS INSTALLED

WATER MAY BE USED TO LUBRICATE WEDGE GASKET. BEFORE SEALING CORNERS WIPE GASKET AND CORNER WITH A CLEAN RAG. BEST METHOD IS TO LEAVE CORNERS OUT FOR SOME TIME TO LET WATER EVAPORATE AND WIPE CLEAN.

IF THE INSTALLATION OF THE WEDGE REQUIRES EXCESSIVE FORCE OR THE WEDGE DOES NOT PROVIDE ENOUGH COMPRESSION ON THE EXTERIOR FIXED GASKET, CONTACT YOUR KAWNEER PROJECT MANAGER IMMEDIATELY.



1600 SYSTEM 5 INSTALLATION
TYPE "B" UNITS - HEAD/SILL
RUNS THRU - SSG

PART NUMBER
166-973 3 OF 4

95488-31
07/25/07

DRAWING:

ORDER:

SHT:

GLAZING TEMPORARIES

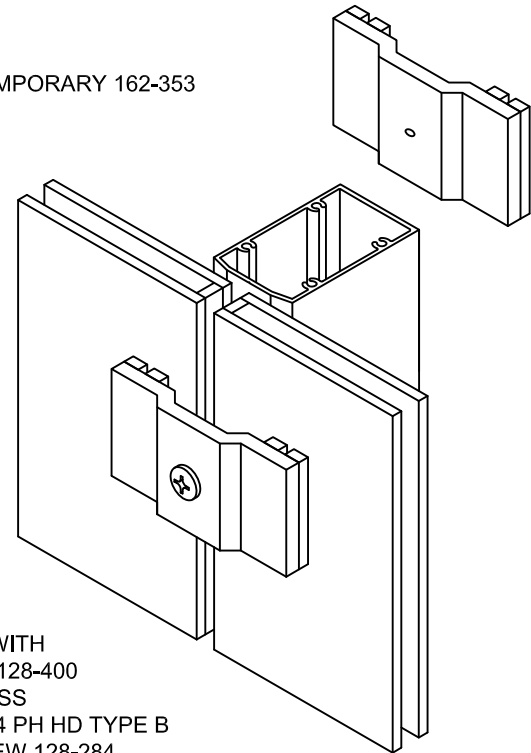
TEMPORARY RETAINERS FOR STRUCTURAL GLAZED VERTICALS.

THE LOCATION OF TEMPORARY EXTERIOR INFILL RETAINERS SHOULD BE AT A MAXIMUM SPACING OF 2'-6" ON CENTER.

IF HIGH WIND CONDITIONS ARE ANTICIPATED, ADDITIONAL RETAINERS MAY BE REQUIRED AND YOU SHOULD CONSULT YOUR SEALANT AND/OR INFILL SUPPLIER FOR SPACING RECOMMENDATIONS.

KAWNEER WILL FURNISH THE TEMPORARY SHOWN BELOW WHICH REQUIRES EXTERIOR INSTALLATION. AN ALTERNATIVE WOULD BE TO FABRICATE A CLIP WITH 2-SIDED TAPE TO TIE AROUND THE MULLION TOWARD THE INTERIOR. THESE WILL NOT BE BY KAWNEER

GLAZING TEMPORARY 162-353



INSTALL WITH SCREWS 128-400 AT 1" GLASS
#12 X 2-1/4 PH HD TYPE B USE SCREW 128-284 AT 1/4" GLASS
#12 X 1-1/2 FL HD TYPE AB

AT CORNERS AND SPLAYS RETAINERS SHOULD BE MADE FROM A GOOD QUALITY HARDWOOD. THESE RETAINERS ARE NOT SUPPLIED BY KAWNEER.

INSTALL STRUCTURAL AND WEATHER SEALS

KAWNEER DOES NOT SUPPLY SEALANT. SEALANT TO BE SILICONE AS RECOMMENDED BY THE SEALANT MANUFACTURER. INFILL AND METAL TO BE CLEANED PER THE SEALANT MANUFACTURER'S RECOMMENDATIONS. SEALANT BACKUP ROD TO BE PER THE SEALANT MANUFACTURER'S RECOMMENDATIONS.

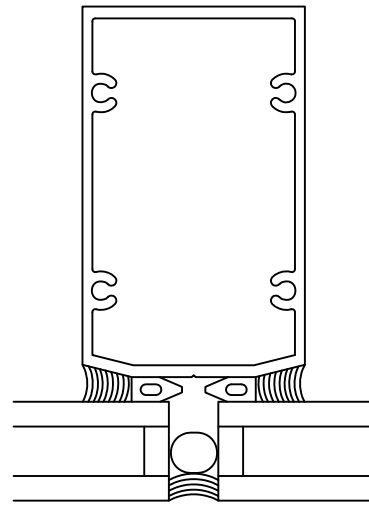
FILL SPACE BETWEEN INSULATED UNITS AND BEHIND SINGLE GLAZED UNITS WITH RECOMMENDED BACKUP ROD. APPLY STRUCTURAL SEAL AND WEATHER SEAL AS SHOWN. ALLOW STRUCTURAL SEAL TO CURE PER SEALANT MANUFACTURER'S RECOMMENDATIONS. THEN REMOVE TEMPORARY RETAINERS, SEAL FASTENER HOLES AND FILL WEATHER SEAL HOLES.



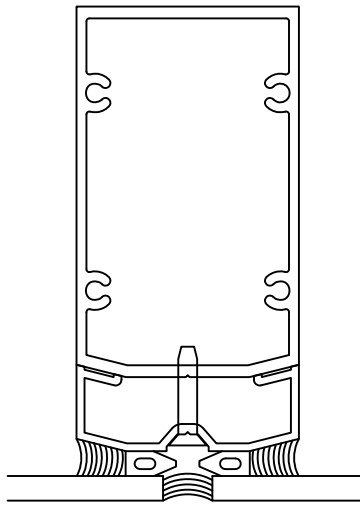
027-575 SPACER GASKET

INSTALL BY INSERTING BETWEEN VERTICAL AND GLASS

1" INFILL AT INTERIOR STRUCTURAL SEAL



1/4" INFILL AT INTERIOR STRUCTURAL SEAL



WEATHER SEAL



1600 SYSTEM 5 INSTALLATION
TYPE "B" UNITS - HEAD/SILL
RUNS THRU - SSG

PART NUMBER
166-973 4 OF 4

95488-31
07/25/07

DRAWING:

ORDER:

SHT: