

GENERAL NOTES

THESE INSTALLATION INSTRUCTIONS ARE A SUPPLEMENT TO THE APPROVED SHOP DRAWINGS. USE IN CONJUNCTION WITH THOSE DRAWINGS.

1 - HANDLING, STORING AND PROTECTING ALUMINUM MATERIAL.

THE FOLLOWING PRECAUTIONS ARE RECOMMENDED TO ASSURE EARLY ACCEPTANCE OF YOUR PRODUCTS AND WORKMANSHIP.

A - HANDLE CAREFULLY - DO NOT DROP FROM THE TRUCK. STACK WITH ADEQUATE SEPARATION SO MATERIAL WILL NOT RUB TOGETHER. STORE OFF THE GROUND. PROTECT AGAINST ELEMENTS AND OTHER CONSTRUCTION TRADES.

B - KEEP MATERIAL AWAY FROM WATER, MUD AND SPRAY - PREVENT CEMENT, PLASTER AND OTHER MATERIALS FROM DAMAGING THE FINISH.

C - PROTECT THE MATERIALS AFTER ERECTION, BY WRAPPING WITH KRAFT PAPER - OR BY ERECTING VISQUEEN/CANVAS SPLATTER SCREENS. CEMENT, PLASTER, TERRAZZO AND OTHER ALKALINE MATERIALS ARE VERY HARMFUL TO THE FINISH AND SHOULD BE REMOVED WITH WATER AND MILD SOAP BEFORE SETTING OCCURS. UNDER NO CIRCUMSTANCES ALLOW THESE MATERIALS TO TO DRY OR PERMANENT STAINING WILL OCCUR.

2 - GENERAL RULES

THE FOLLOWING PRACTICES ARE RECOMMENDED FOR ALL WALL INSTALLATIONS.

A - READ COMPLETE INSTRUCTIONS BEFORE ORDERING GLASS OR FABRICATING MATERIAL.

B - CHECK SHOP DRAWINGS TO BECOME THOROUGHLY FAMILIAR WITH THE JOB.

C - ALL MATERIALS ARE TO BE INSTALLED PLUMB, LEVEL AND TRUE.

D - ALL WORK SHOULD START FROM ESTABLISHED BENCH MARKS AND COLUMN CENTER LINES ESTABLISHED BY THE ARCHITECTURAL DRAWINGS AND THE GENERAL CONTRACTOR.

E - THE SEQUENCE OF ERECTION SHOULD BE COORDINATED WITH THE JOB SUPERINTENDENT SO DELAYS ARE PREVENTED AND RISK OF MATERIAL DAMAGE IS MINIMIZED. IF PRESETTING OF ANCHORAGE IS REQUIRED, COORDINATE WITH GENERAL CONTRACTOR AND SUPERVISE LOCATION.

F - MAKE CERTAIN CONSTRUCTION WHICH WILL RECEIVE YOUR MATERIALS IS ACCORDING TO THE CONTRACT DOCUMENTS. IF NOT, NOTIFY THE GENERAL CONTRACTOR IN WRITING AND RESOLVE DIFFERENCES BEFORE PROCEEDING WITH YOUR WORK.

G - INSULATE ALL ALUMINUM TO BE PLACED DIRECTLY IN CONTACT WITH THE MASONRY OR INCOMPATIBLE MATERIALS WITH A HEAVY COAT OF ZINC CHROMATE OR BITUMINOUS PAINT.

H - FOLLOW KAWNEER INSTALLATION AND GLAZING INSTRUCTIONS.

J - CHECK ALL MATERIAL ON ARRIVAL FOR QUANTITY.

K - BE SURE TO HAVE ALL THE MATERIALS AND TOOLS NEEDED TO BEGIN THE INSTALLATION.

- 1 - APPROVED SHOP DRAWINGS
- 2 - LEVEL AND PLUMB (TRANSIT)
- 3 - FASTENERS AND REQUIRED DRIVERS.
- 4 - PERIMETERS AND ACCESSORIES SUCH AS ANCHORS, FASTENERS, SLEEVES AND/OR SPLICE CAPS.
- 5 - SEALING MATERIALS.
- 6 - GLAZING MATERIALS.

L - FOLLOW SEALANT MANUFACTURER'S RECOMMENDATIONS FOR PROPER SEALANT AND APPLICATION. ALL SEALANTS AND MASTICS MUST BE COMPATIBLE WITH ALL SURFACES INCLUDING OTHER SEALANT SURFACES. WHERE REQUIRED ALL SEALANTS MUST ADHERE TO ALL SURFACES INCLUDING OTHER SEALANT SURFACES.

1600 SYSTEM 5 NOTES

1600 SYSTEM 5 IS AVAILABLE WITH 1" FRAMING MEMBERS WHICH ACCEPT BOTH 1" AND 1/4" INFILLS.

1600 SYSTEM 5 IS DESIGNED AS AN INTERIOR GLAZED SYSTEM. EXTERIOR GLAZING IS A OPTION. SEE EXTERIOR GLAZING STEPS.

GLASS BITE IS 7/16" AT VERTICALS.

GLASS BITE IS 7/16" AT HORIZONTALS.

GLASS SIZES MUST BE CALCULATED FROM APPROVED SHOP DRAWINGS. GASKET ASSEMBLIES ARE PREFERRED REFERENCE SHEET #9.

UNLESS OTHERWISE SPECIFIED, IT IS RECOMMENDED THAT SILICONE SEALANT BE USED FOR ALL INTERNAL SEALS.

SEALANT MUST BE APPLIED PER THE SEALANT MANUFACTURER'S RECOMMENDATIONS AND PASS ALL ADHESION AND COMPATIBILITY TESTING. AT ALL JOINT SEALS, SEALANT MUST ADHERE TO METAL, GASKETS, THERMAL SEPARATOR AND JOINT PLUG MATERIALS. CLEAN ALL SURFACES PRIOR TO APPLICATION OF SEALANT AND PRIME WHERE NECESSARY TO ACHIEVE PROPER ADHESION.

CHECK OPENINGS

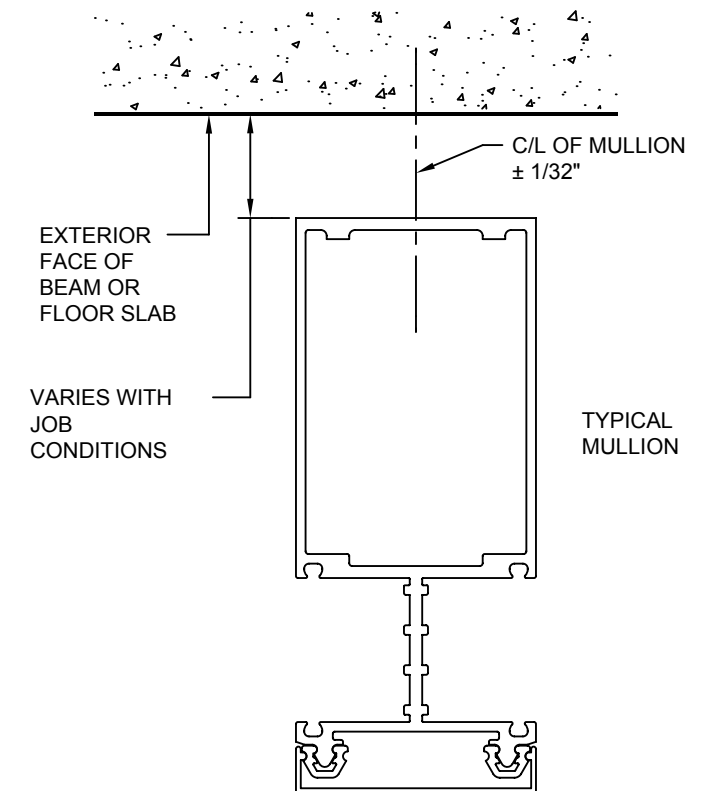
ELEVATIONS AND SLABS MUST BE WITHIN ADJUSTMENT OF ANCHORING SYSTEM. SEE APPROVED SHOP DRAWINGS FOR ALLOWABLE ADJUSTMENT.

ANCHORING SURFACES OF PERIMETER CONSTRUCTION MUST BE LEVEL AND PLUMB WITHIN THE ADJUSTMENT LIMITS OF THE HEAD, SILL AND JAMB. SEE APPROVED SHOP DRAWINGS FOR ALLOWABLE ADJUSTMENT.

LAY OUT ANCHOR AND MULLION CENTERLINES

USE WALL LINES ESTABLISHED BY THE GENERAL CONTRACTOR. ON EACH FLOOR LAY OUT A REFERENCE LINE TO ESTABLISH IN AND OUT WALL LOCATIONS.

USE COLUMN CENTER LINES ESTABLISHED BY THE GENERAL CONTRACTOR. ON EACH FLOOR LAY OUT MULLION CENTER LINES AND ANCHOR CENTER LINES.



SEE APPROVED SHOP DRAWINGS FOR ANCHOR LAYOUTS

THESE INSTRUCTIONS SHOW THE 6" SYSTEM. THE 7 1/2" SYSTEM IS SIMILAR



1600 SYSTEM 5 INSTALLATION
SHEAR BLOCK

PART NUMBER
166-972 1 OF 9

95488-31
07/25/07

DRAWING:

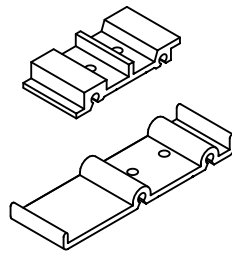
ORDER:

SHT:

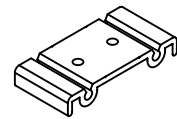
FRAME ASSEMBLY

ATTACH HORIZONTAL SHEAR BLOCKS

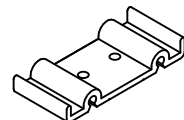
TYPICAL SHEAR BLOCKS
 163-310 6" SYSTEM
 163-311 7-1/2" SYSTEM
 FOR INTERMEDIATE HORIZONTALS



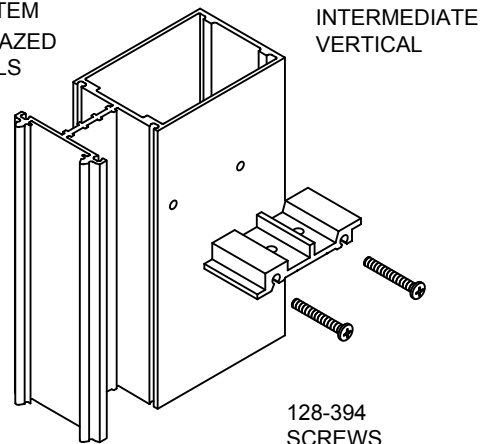
166-324 6" SYSTEM
 166-326 7-1/2" SYSTEM
 FOR TYP HEAD HORIZONTALS



166-325 6" SYSTEM
 166-327 7-1/2" SYSTEM
 FOR SILL HORIZONTALS

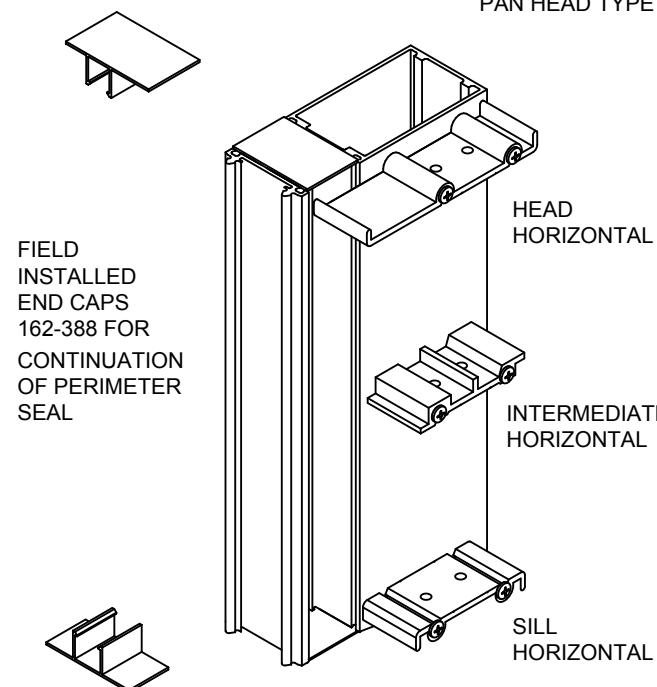


166-325 6" SYSTEM
 166-327 7-1/2" SYSTEM
 FOR EXTERIOR GLAZED HEAD HORIZONTALS



INTERMEDIATE VERTICAL

128-394 SCREWS
 #12 X 1-7/8"
 PAN HEAD TYPE B



FIELD INSTALLED END CAPS 162-388 FOR CONTINUATION OF PERIMETER SEAL

HEAD HORIZONTAL

INTERMEDIATE HORIZONTAL

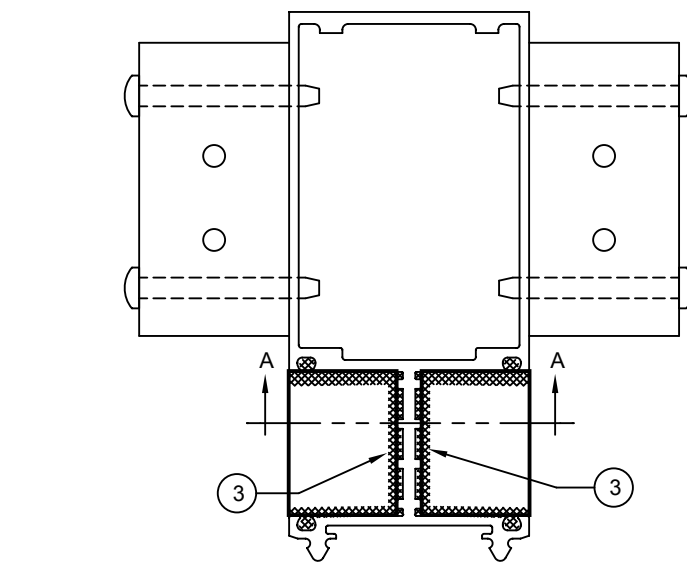
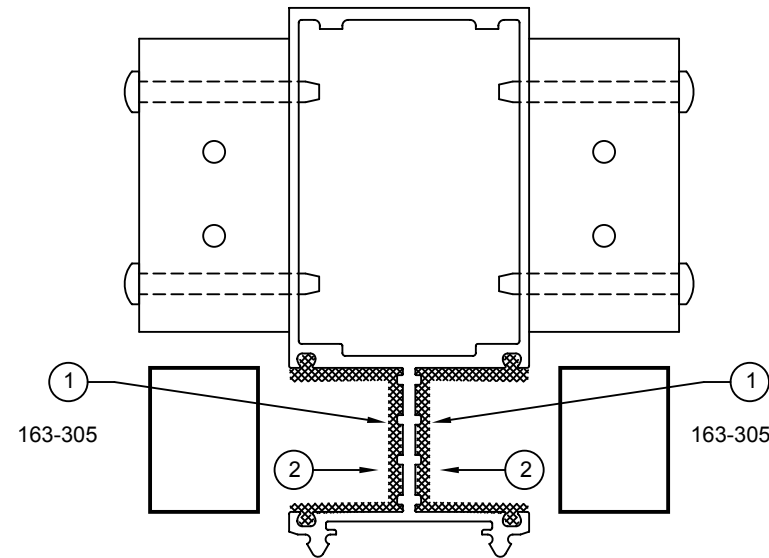
SILL HORIZONTAL

FRAME ASSEMBLY

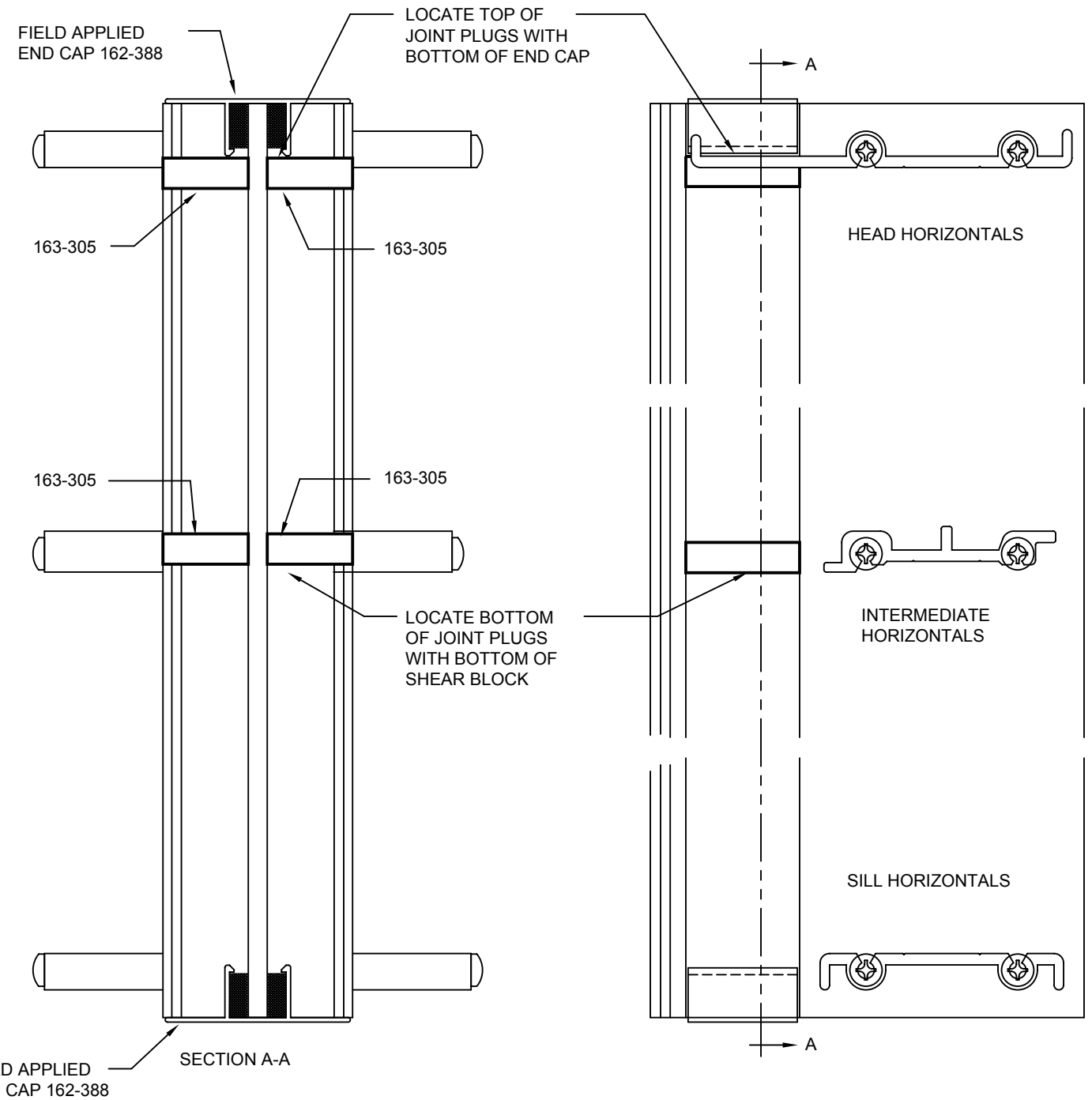
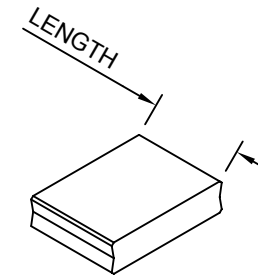
INSTALL JOINT PLUGS.

NOTE JOINT PLUG LOCATIONS

- 1 APPLY SEALANT AT JOINT PLUG LOCATIONS FILLING GASKET POCKETS AND GROOVES
- 2 INSTALL JOINT PLUGS INTO SEALANT
- 3 TOOL SEALANT TO SEAL ALL VOIDS



JOINT PLUG 163-305
 LENGTH 1-1/8"



<p>1600 SYSTEM 5 INSTALLATION SHEAR BLOCK</p>	95488-31 07/25/07
	DRAWING:
	ORDER:
	SHT:

PART NUMBER
 166-972 2 OF 9

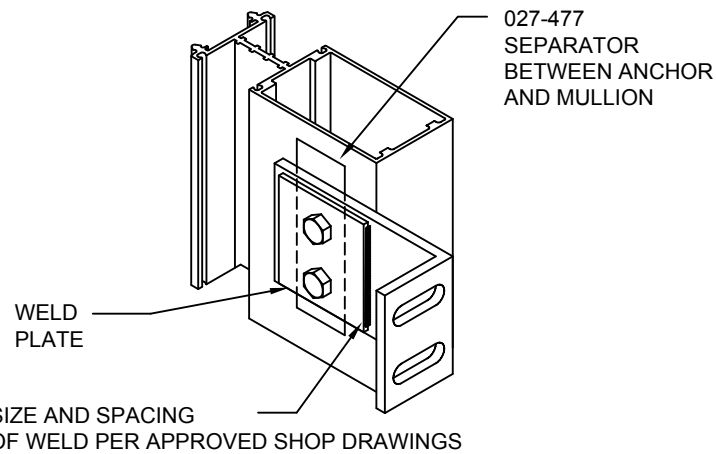
FRAME ASSEMBLY

ATTACH ANCHORS TO MULLIONS WHERE APPLICABLE.

ANCHOR PREP MAY BE FABRICATED IN THE FIELD OR FACTORY. CONSULT APPROVED SHOP DRAWINGS FOR CORRECT METHOD.

STANDARD ANCHOR PREP IS THRU-BOLTED AT INTERMEDIATE VERTICALS AND TAPPING PLATES ARE USED AT JAMB VERTICALS. REFER TO APPROVED SHOP DRAWINGS FOR CORRECT METHOD.

WHEN WELDING ANCHORS, PROTECT INSTALLED GLASS AND METAL FROM WELD SPLATTER.



DO NOT OVER TIGHTEN ANCHOR CONNECTIONS. TIGHTEN TO A "SNUG TIGHT" POSITION WITH PARTS BROUGHT INTO GOOD CONTACT. BE SURE ANY SPRING TYPE LOCK WASHERS ARE COMPRESSED. THEN TIGHTEN APPROXIMATELY 1/2 MORE TURN.

INSTALL VERTICAL MULLIONS

"F" OR "T" ANCHORS WHERE APPLICABLE

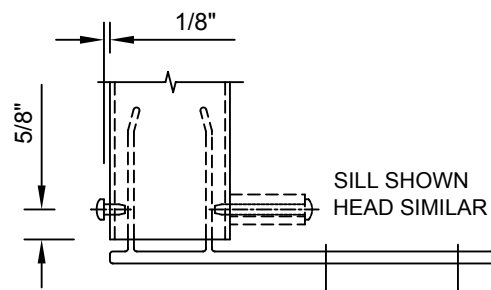
"F" AND "T" ANCHOR FASTENER LOCATIONS PER APPROVED SHOP DRAWINGS

REFERENCE APPROVED SHOP DRAWINGS FOR OTHER TYPES OF ANCHORING

HEAD AND SILL SHEAR BLOCK MAY NEED TO BE REMOVED TO INSTALL AN ANCHOR FASTENER LOCATED TOO CLOSE TO THE MULLION

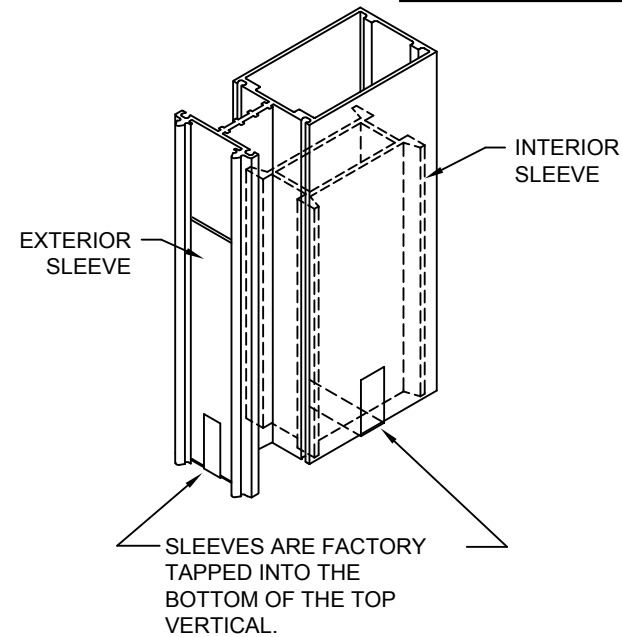
"F" OR "T" ANCHORS WHERE APPLICABLE

AT MULLION JAMB SIDE, APPLY (2) 128-396 SCREWS AS SHOWN TO CENTER F-CLIPS AS REQUIRED.



INSTALL VERTICAL MULLIONS

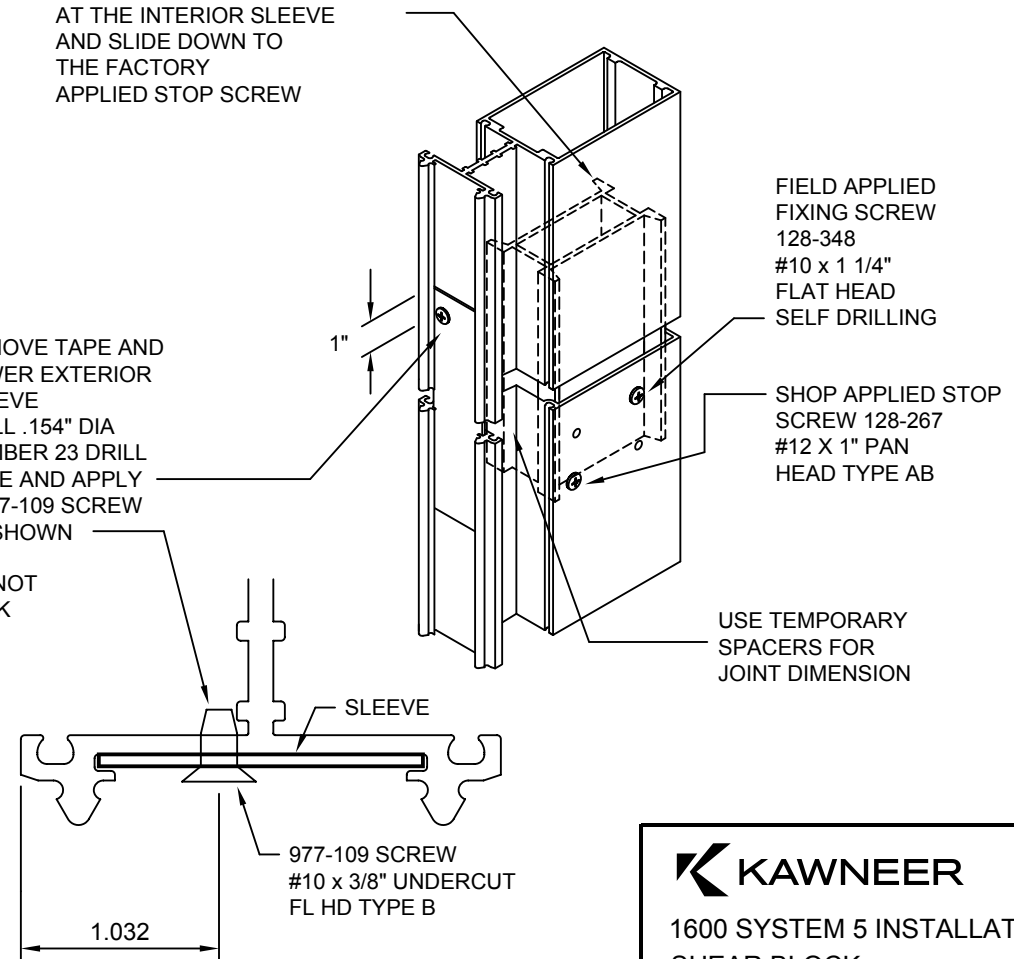
VERTICAL SPLICE JOINTS WHERE APPLICABLE.



REMOVE THE TAPE AT THE INTERIOR SLEEVE AND SLIDE DOWN TO THE FACTORY APPLIED STOP SCREW

REMOVE TAPE AND LOWER EXTERIOR SLEEVE DRILL .154" DIA NUMBER 23 DRILL HOLE AND APPLY A 977-109 SCREW AS SHOWN

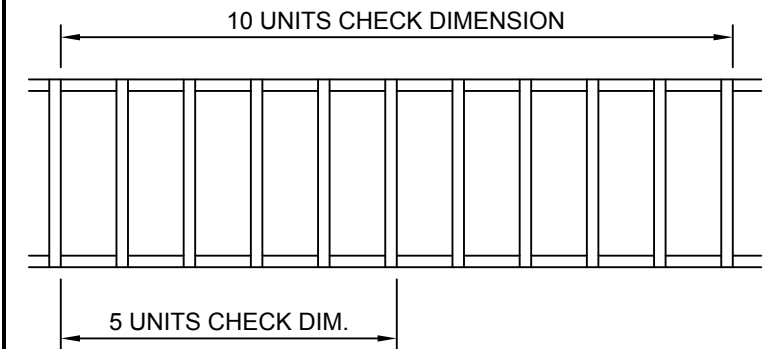
DO NOT CTSK



INSTALL VERTICAL MULLIONS

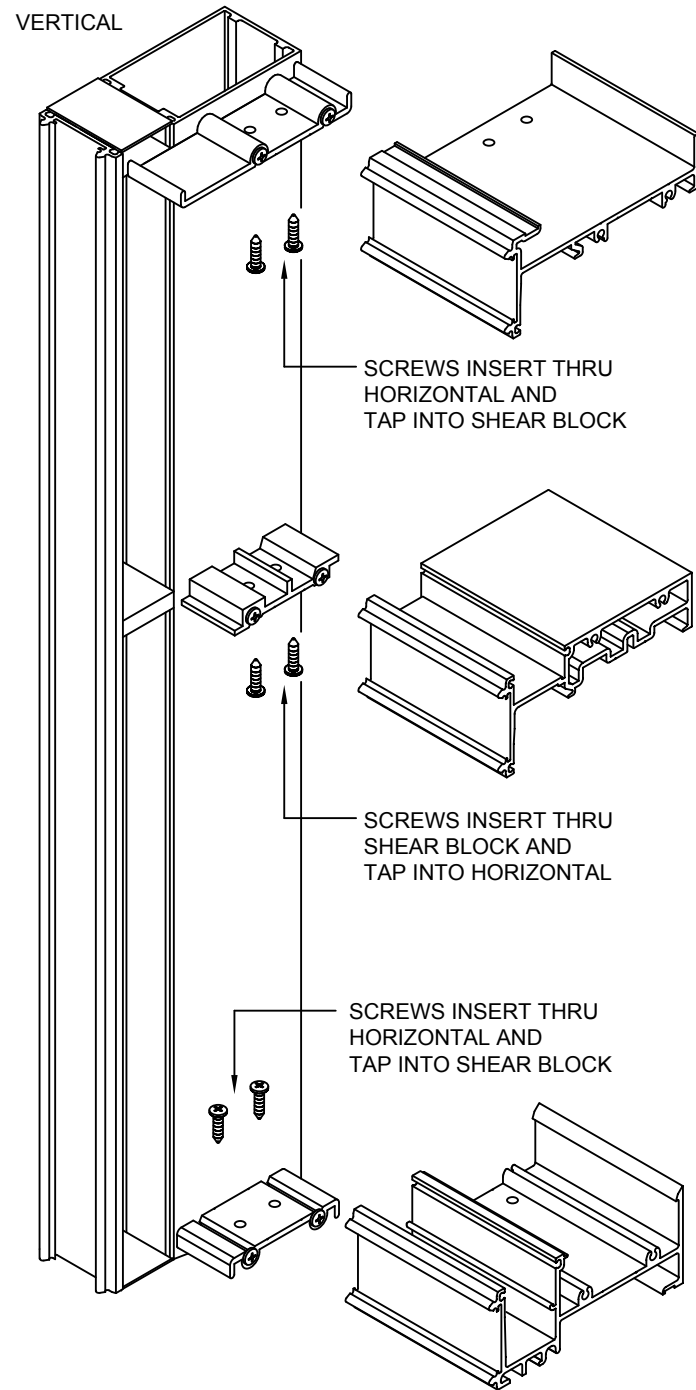
DIMENSION BUILDUP CHECK

CHECK OVERALL FRAME DIMENSIONS ABOUT EVERY FIVE MULLIONS ON LONG RUNS. THIS IS TO AVOID DIMENSION BUILDUP.



<p>1600 SYSTEM 5 INSTALLATION SHEAR BLOCK</p> <p>PART NUMBER 166-972 3 OF 9</p>	95488-31 07/25/07
	DRAWING:
	ORDER:
	SHT:

INSTALL HORIZONTALS



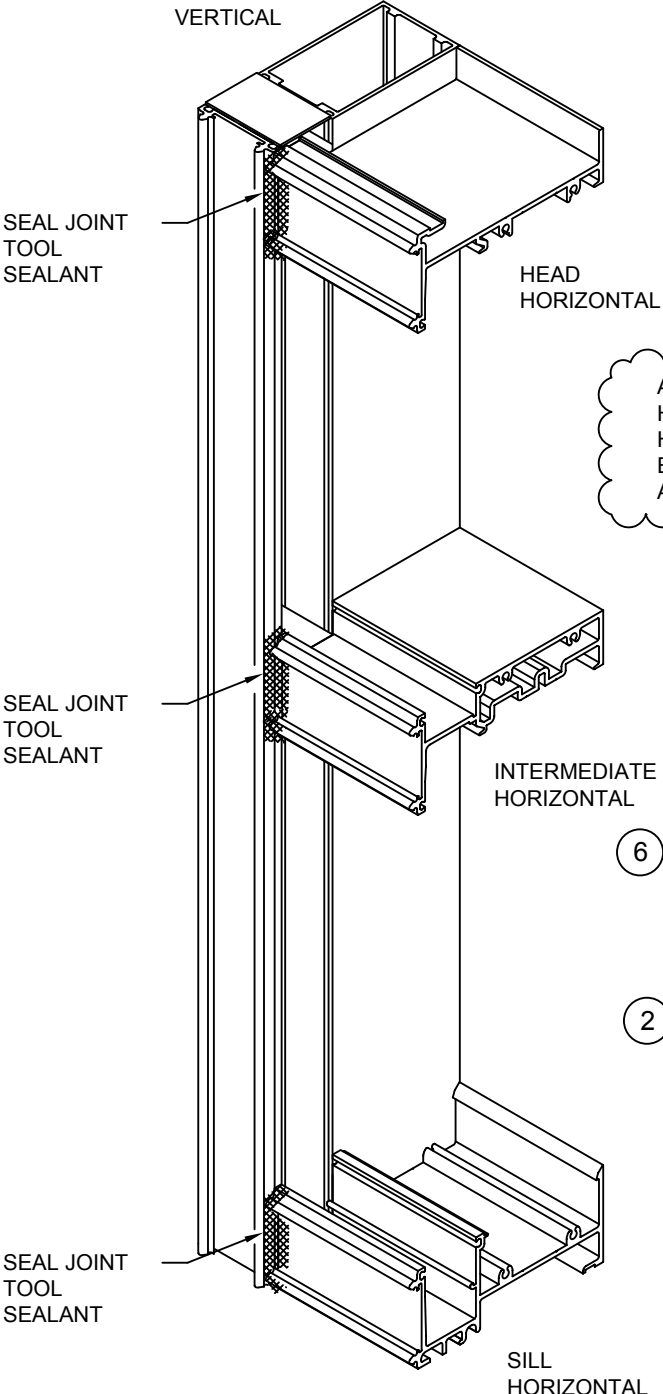
HEAD HORIZONTAL
 INSTALL HORIZONTALS WITH 128-293 SCREWS
 #12 x 5/8" PAN HEAD TYPE AB

INTERMEDIATE HORIZONTAL
 INSTALL HORIZONTALS WITH 128-293 SCREWS
 #12 x 5/8" PAN HEAD TYPE AB

SILL HORIZONTAL
 INSTALL HORIZONTALS WITH 128-293 SCREWS AS SHOWN 6" SYSTEM
 SIMILAR AT 4 1/2" SYSTEM
 #12 x 5/8" PAN HEAD TYPE AB

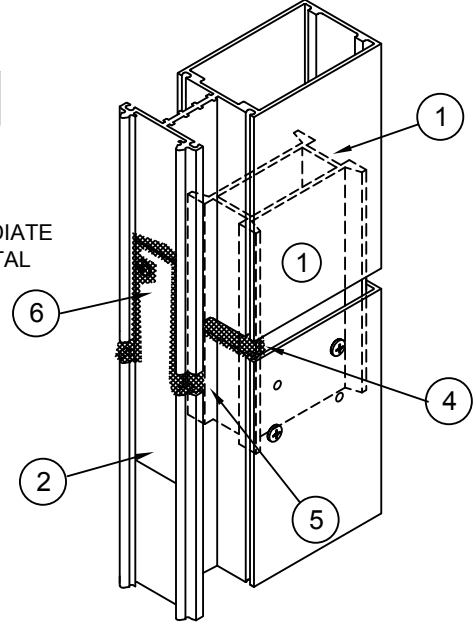
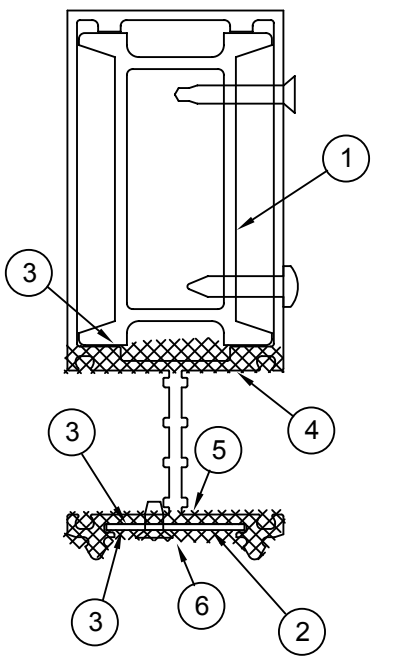
SEAL EXTERIOR HORIZONTAL TO VERTICAL JOINT AND SPLICE JOINT WHERE APPLICABLE

DO THESE STEPS JUST PRIOR TO INSTALLING EXTERIOR COVERS

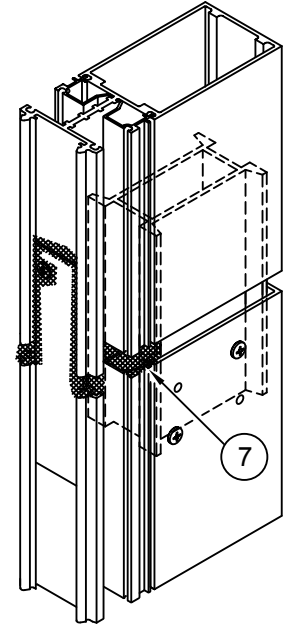


- 1 INTERIOR SLEEVE
- 2 EXTERIOR SLEEVE
- 3 APPLY BOND BREAKER TAPE TO SLEEVES
- 4 SEAL FACE OF INTERIOR SLEEVE
- 5 SEAL INTERIOR OF EXTERIOR SLEEVE
- 6 SEAL TOP HALF OF EXTERIOR SLEEVE AND SCREW HEAD

AT EXTERIOR GLAZED HEAD AND INTERMEDIATE HORIZONTAL EXTERIOR SEAL IS DONE AFTER GLAZING



7 AFTER ADAPTERS ARE INSTALLED REF SHEET #6 SEAL ADAPTER JOINTS



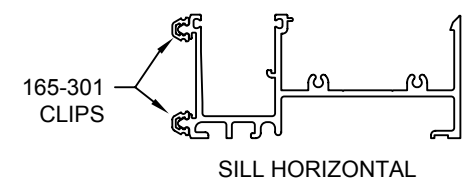
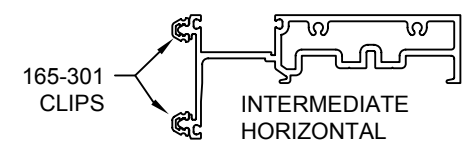
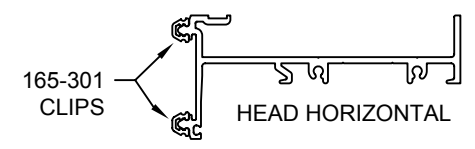
<p>1600 SYSTEM 5 INSTALLATION SHEAR BLOCK</p>	95488-31 07/25/07
	DRAWING:
	ORDER:
	SHT:

PART NUMBER
166-972 4 OF 9

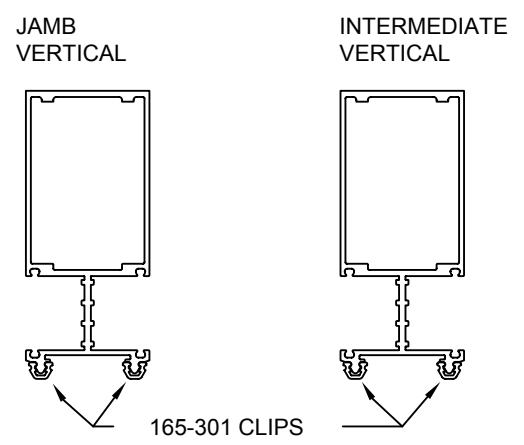
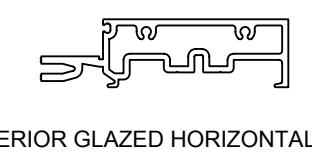
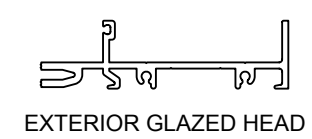
INSTALL EXTERIOR THERMAL CLIPS AND EXTERIOR COVERS

INSTALL COVERS THAT RUN THRU FIRST

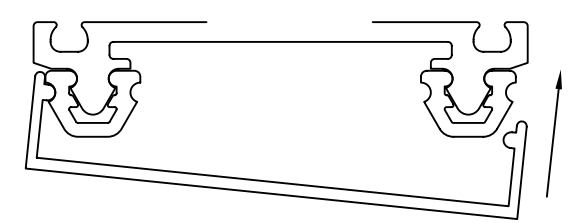
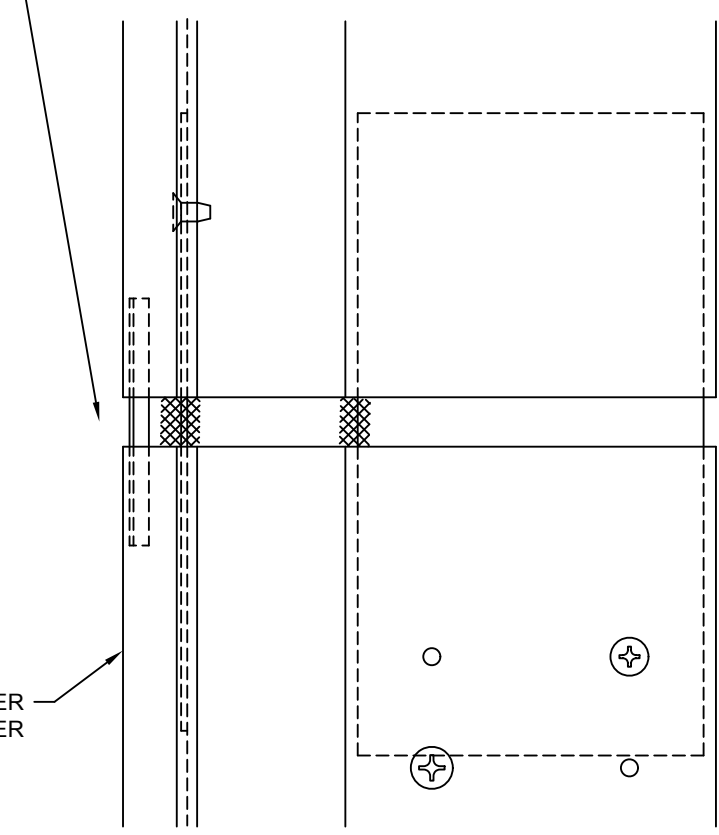
INSTALL 165-301 THERMAL CLIPS AT DLO MINUS 2". CENTER PART ON DLO. RUN CONTINUOUS AROUND ELEVATION OUTSIDE PERIMETER WHERE POSSIBLE. BUTT SPliced PARTS ARE ACCEPTABLE.



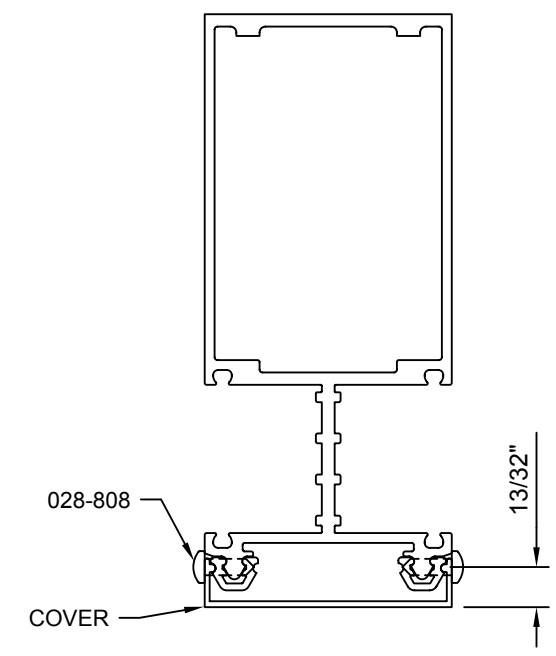
AT EXTERIOR GLAZING COVERS ARE INSTALLED AFTER GLAZING



AT SPLICE JOINTS LOWER COVER WILL HAVE A SHOP APPLIED SPLICE SLEEVE INSTALL LOWER COVER FIRST



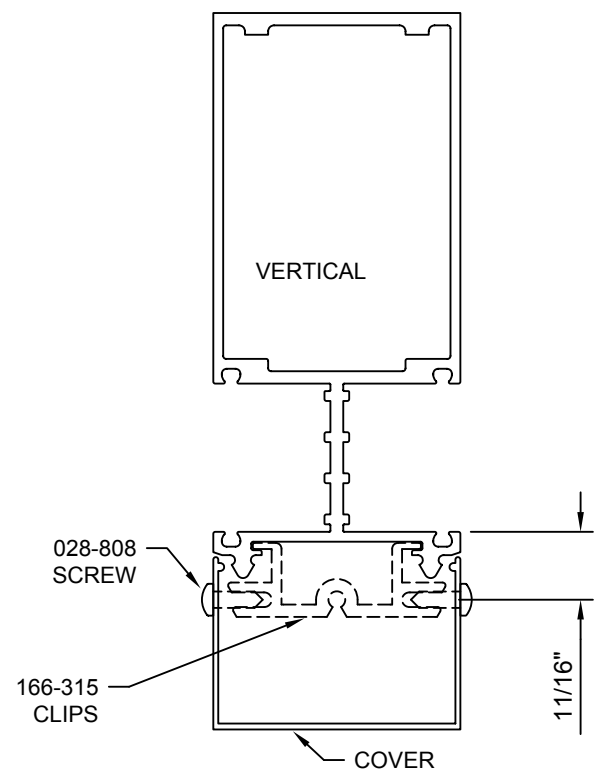
DEEP EXTERIOR COVER PINNING



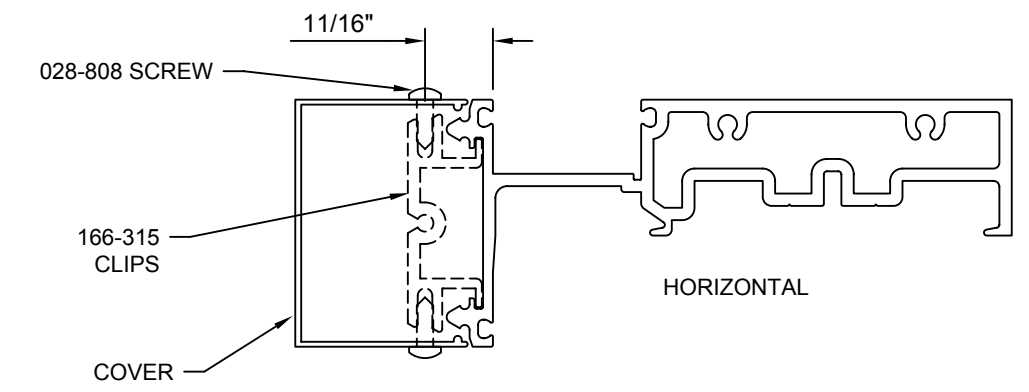
TYPICAL VERTICAL COVER PINNING FOR COVERS UP TO APPROX 1 1/2" PROJECTION DRILL .152" DIA. HOLE #24 DRILL AND APPLY 028-808 SCREWS #8 x 1/2" PAN HEAD TYPE A LOCATE SCREW AT A HORIZONTAL CLOSEST TO THE COVER HEIGHT CENTER

INSTALL HORIZONTAL COVERS WITH THE WEEP HOLES AT THE BOTTOM.

FOR COVERS DEEPER THAN A 1 1/2" PROJECTION UNLESS NOTED OTHERWISE



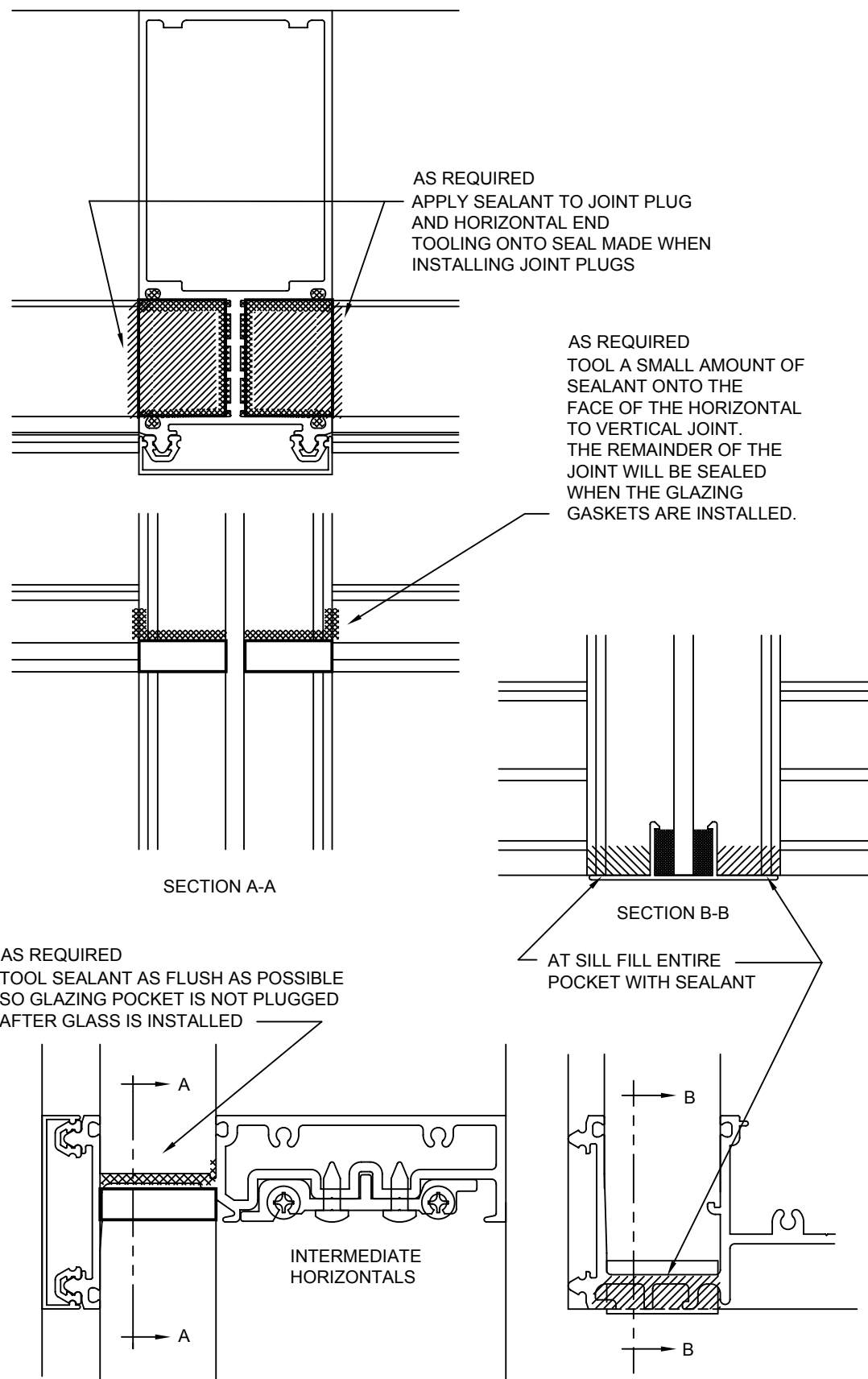
DEEP VERTICAL COVER PINNING LOCATE CLIPS AT HEAD AND SILL HORIZONTALS CRIMP INTO PLACE AT CLIP BOTTOM DRILL .177" DIA. HOLES #16 DRILL INTO COVER APPLY 028-808 SCREWS JUST SNUG SCREW INTO PLACE DO NOT OVER TIGHTEN



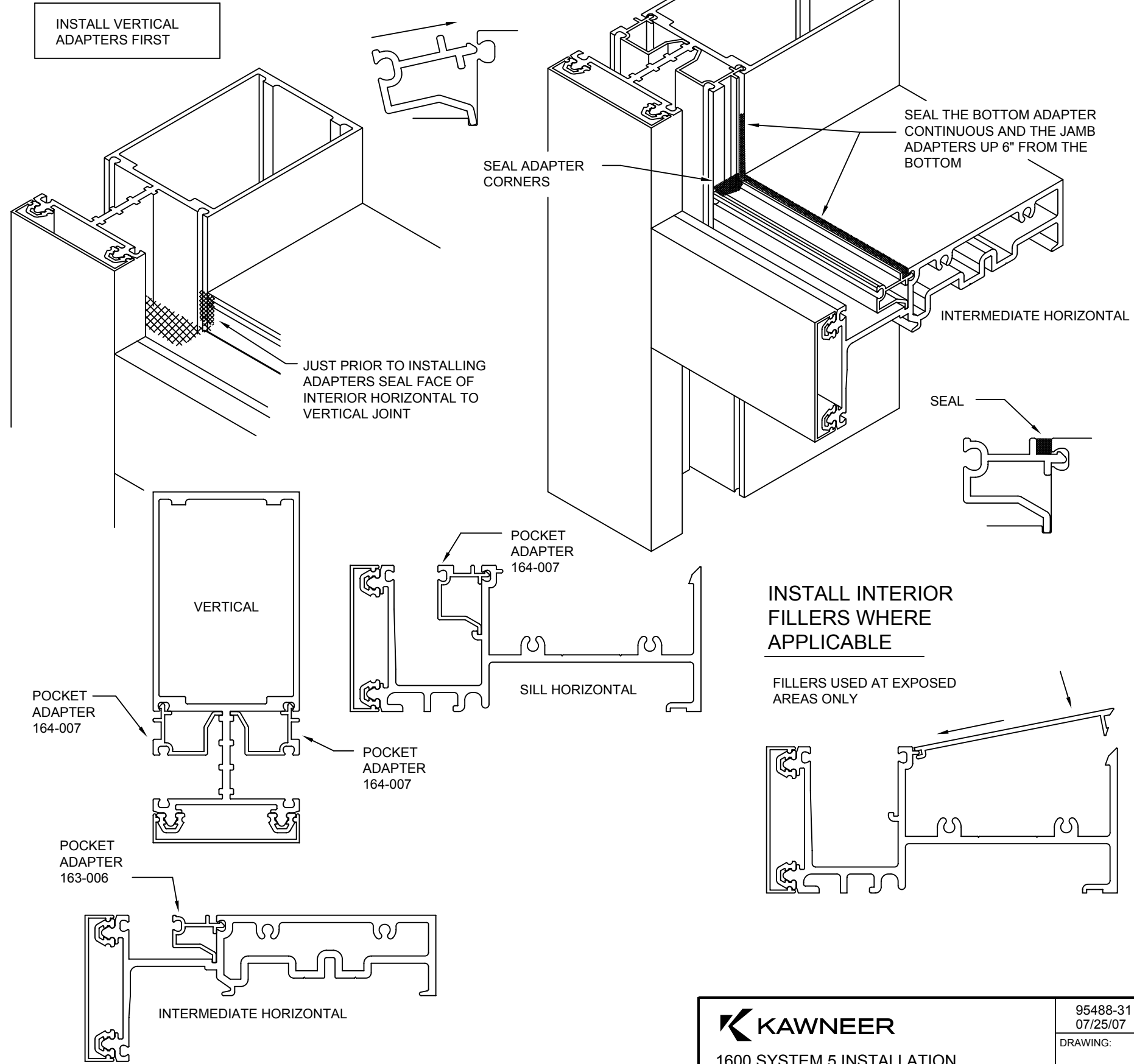
DEEP HORIZONTAL COVER PINNING LOCATE CLIPS AT EACH END OF HORIZONTAL CRIMP INTO PLACE LEAVING A SPACE FOR COVER EXPANSION DRILL .177" DIA. HOLES #16 DRILL INTO COVER APPLY 028-808 SCREWS #8 x 1/2" PAN HEAD TYPE A JUST SNUG SCREW INTO PLACE DO NOT OVER TIGHTEN

<p>1600 SYSTEM 5 INSTALLATION SHEAR BLOCK</p>	<p>95488-34</p>
	<p>06/30/10</p>
	<p>DRAWING:</p>
	<p>ORDER:</p>
<p>PART NUMBER 166-972 5 OF 9</p>	<p>SHT:</p>

SEAL JOINT PLUG TO HORIZONTAL



INSTALL 1/4" INFILL ADAPTERS



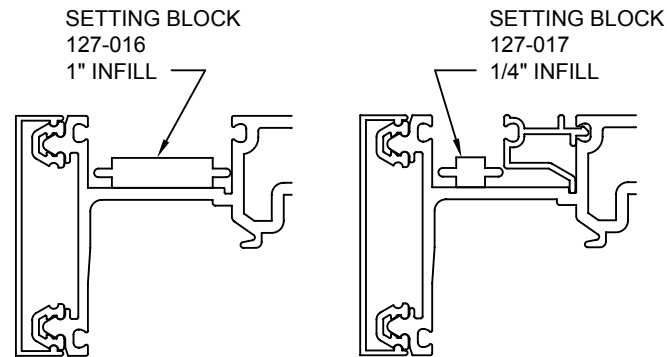
<p>1600 SYSTEM 5 INSTALLATION SHEAR BLOCK</p>	<p>95488-31 07/25/07</p>
	<p>DRAWING:</p>
	<p>ORDER:</p>
	<p>SHT:</p>
<p>PART NUMBER 166-972 6 OF 9</p>	

INTERIOR GLAZING

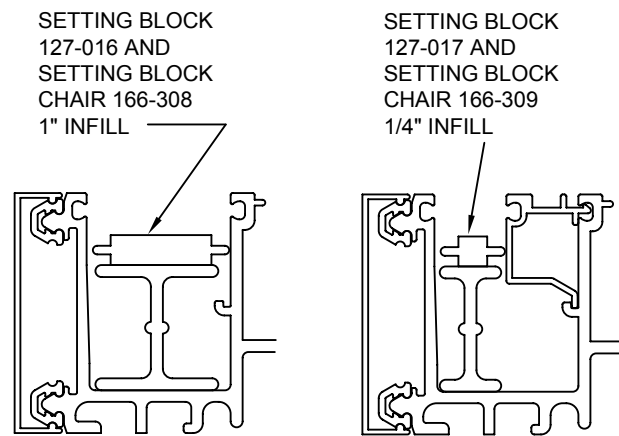
IT IS ESSENTIAL THAT ALL GUTTERS AT HORIZONTALS BE CLEANED PRIOR TO GLAZING.

THIS IS NECESSARY TO AVOID CLOGGING OF WEEP SYSTEMS AS WELL AS STAINING OF EXTERIOR METAL AND GLASS SURFACES.

INSTALL SETTING BLOCKS LOCATING PER APPROVED SHOP DRAWINGS.



INTERMEDIATE HORIZONTALS



SILL HORIZONTALS

NOTE - GASKET ASSEMBLIES ARE PREFERRED IN ORDER TO MAINTAIN THE GASKET CORNERS WHEN INSTALLING THE GLASS. IF ASSEMBLIES ARE NOT USED SEAL GASKET CORNERS AND ALLOW SEALANT TO SKIN OVER BEFORE INSTALLING THE GLASS.

INTERIOR GLAZING

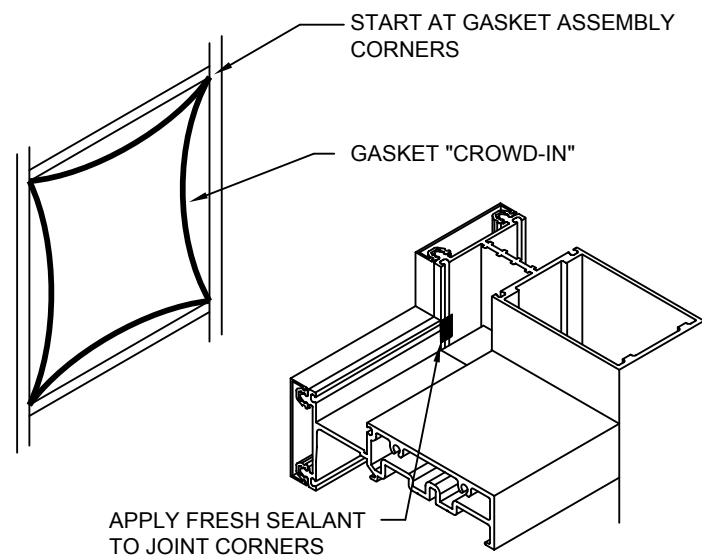
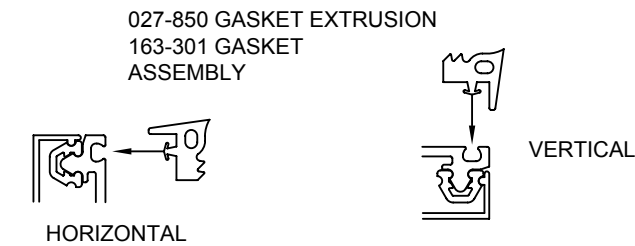
INSTALL EXTERIOR GASKET ASSEMBLIES.

GASKET ASSEMBLIES SHOULD BE INSTALLED JUST PRIOR TO GLASS TO AVOID GASKET CONTAMINATION BY JOB SITE DEBRIS.

IN TEMPERATURES COLDER THAN 50 DEGREES F, ARRANGEMENTS SHOULD BE MADE TO KEEP THE GASKETS WARM UNTIL INSTALLATION OF GASKETS AND GLASS. THIS WILL PREVENT EXCESSIVE GLAZING PRESSURE ON THE GLASS EDGE DUE TO COLD, STIFF GASKETS.

GASKETS CAN BECOME DEFORMED DURING STORAGE IN CARTONS. REMOVE GASKETS FROM CARTONS SEVERAL HOURS PRIOR TO USE AND ALLOW TO LAY FLAT OR HANG OVER RACK. TEMPERATURES SHOULD BE AT LEAST 50 DEGREES F.

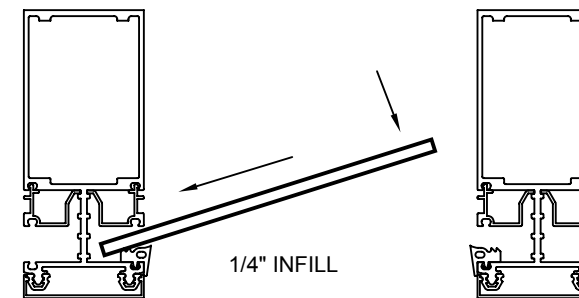
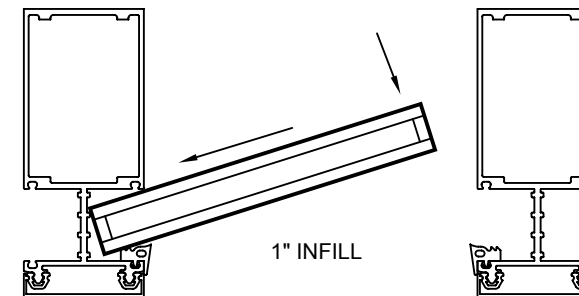
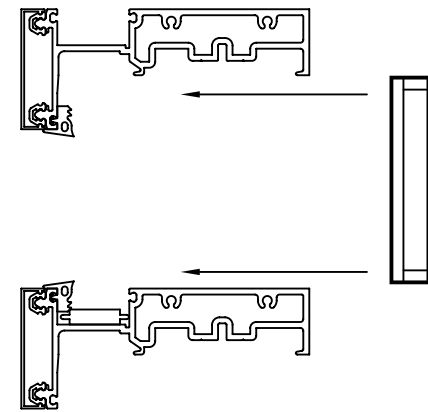
INSTALL GASKET ASSEMBLIES BY STARTING AT THE CORNERS AND WORKING TOWARDS THE CENTER, MAKING SURE THE CORNERS ARE SQUARE. GASKET ASSEMBLIES WILL BE SLIGHTLY LARGE TO ALLOW FOR SOME CROWD-IN. DO NOT STRETCH, CUT OR SPLICE GASKETS.



INSTALL COMPLETE GASKET ASSEMBLY THEN PULL BACK CORNERS AND APPLY SEALANT JUST PRIOR TO INSTALLING GLASS

INTERIOR GLAZING

INSTALL GLASS BY LIFTING ABOVE SILL AND INSERTING INTO VERTICAL POCKET AS SHOWN.



INTERIOR GLAZING

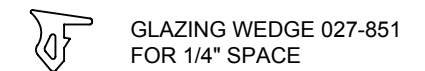
AFTER THE GLASS IS LOWERED ONTO THE SETTING BLOCKS AND CENTERED HORIZONTALLY LIFT THE GLASS SLIGHTLY AND PUSH FORWARD INTO THE EXTERIOR GASKETS.

REFERENCE - FGMA GLAZING MANUAL IN THE "GLASS SETTING" SECTION.

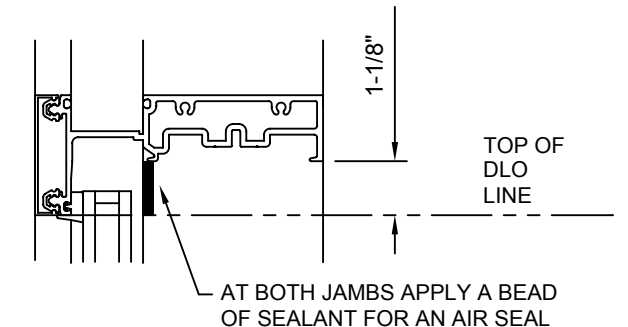
THE ABOVE WILL KEEP THE GLASS EDGE FROM DIGGING AND DEFORMING THE SETTING BLOCK. INSTALL A SHORT PIECE OF GLAZING WEDGE AT THE SETTING BLOCKS AS A TEMPORARY.

INSTALL A SHORT PIECE OF GLAZING WEDGE AT THE TWO VERTICALS AS A TEMPORARY. LOCATE TOWARDS THE TOP OF THE LITE.

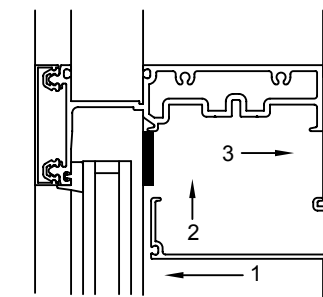
LUBRICATE WITH WATER AS REQUIRED



INSTALL TOP INTERIOR HORIZONTAL STOPS



AT BOTH JAMBS APPLY A BEAD OF SEALANT FOR AN AIR SEAL
REMAINDER WILL BE SEALED WITH GASKET CORNER SEAL



AFTER THE STOP IS INSTALLED USE GLAZING WEDGE TEMPORARIES.



1600 SYSTEM 5 INSTALLATION
SHEAR BLOCK

PART NUMBER
166-972 7 OF 9

95488-31
07/25/07

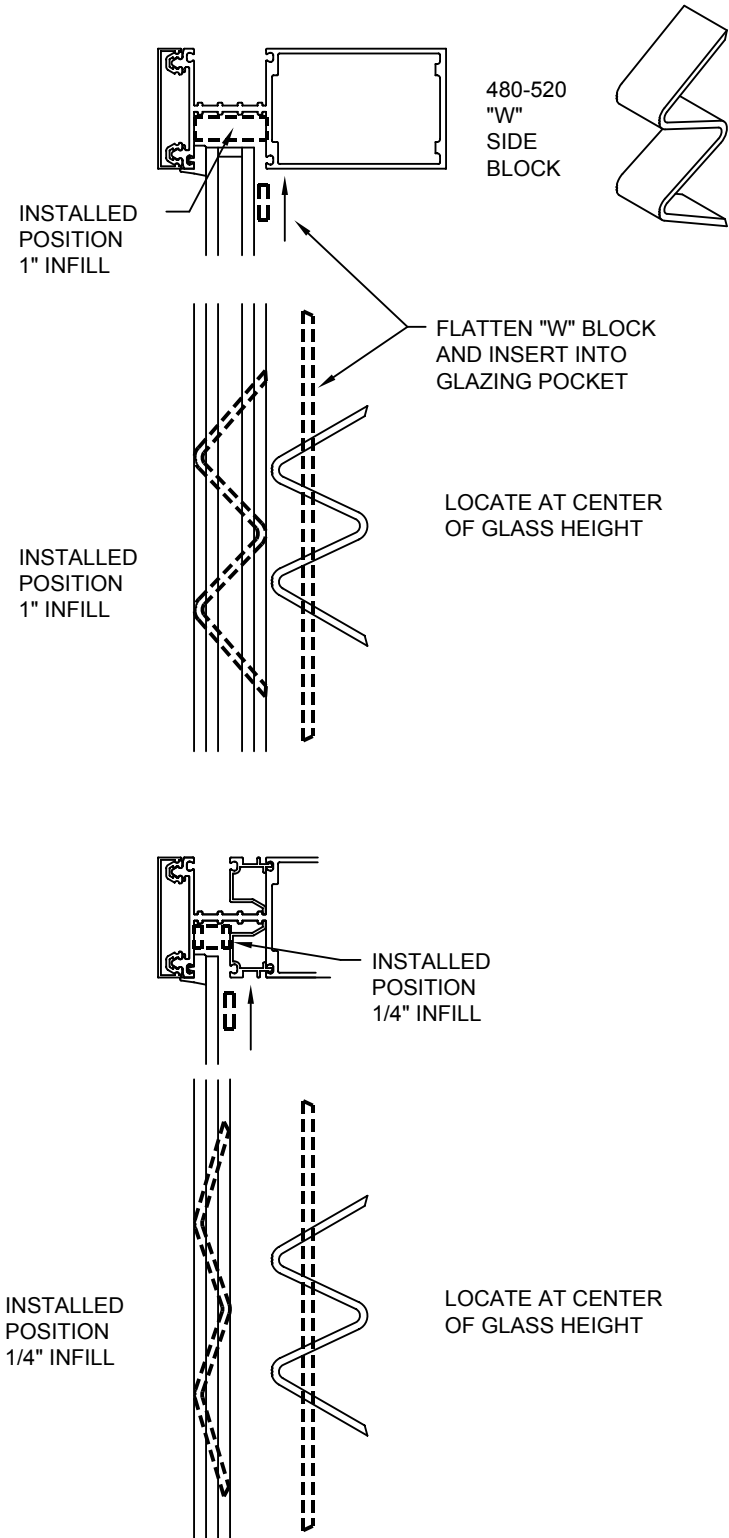
DRAWING:

ORDER:

SHT:

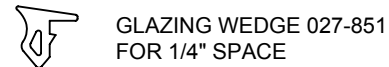
INTERIOR GLAZING

INSTALL "W" SIDE BLOCKS INTO BOTH VERTICAL POCKETS.



INTERIOR GLAZING

INSTALL GLAZING WEDGE GASKET

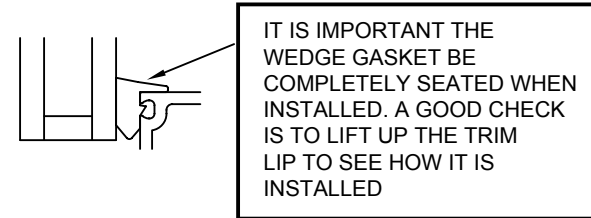


IN TEMPERATURES COLDER THAN 50 DEGREES F. ARRANGEMENTS SHOULD BE MADE TO KEEP THE GASKETS WARM UNTIL INSTALLATION OF GASKETS AND GLASS. THIS WILL PREVENT EXCESSIVE GLAZING PRESSURE ON THE GLASS EDGE DUE TO COLD, STIFF GASKETS.

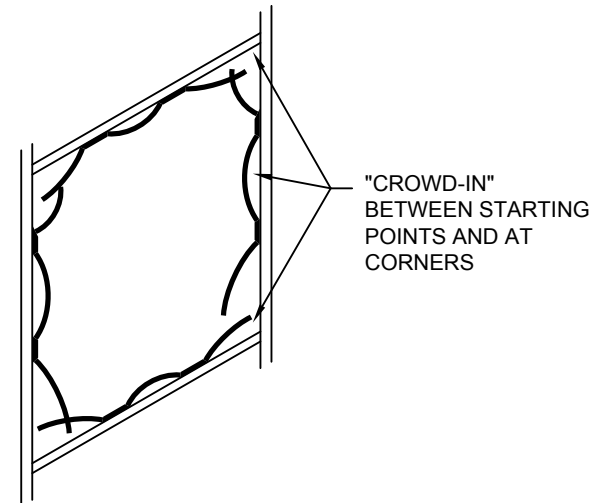
GASKETS CAN BECOME DEFORMED DURING STORAGE IN CARTONS. REMOVE GASKETS FROM CARTONS SEVERAL HOURS PRIOR TO USE AND ALLOW TO LAY FLAT OR HANG OVER RACK. TEMPERATURES SHOULD BE AT LEAST 50 DEGREES F.

APPLY WEDGE GASKETS IN THE SHALLOW POCKET SIDES FIRST TO REDUCE ANY POSSIBLE ROTATION OF THE APPLIED PRESSURE PLATE.

WHEN STARTING THE WEDGE GASKET THE BEST PLACE TO START IS NEAR A TEMPORARY. CUT THE WEDGE 1/8" TO 1/4" PER FOOT LONG FOR GASKET "CROWD-IN". THE "CROWD-IN" TO BE BETWEEN STARTING POINTS AND AT CORNERS. DO NOT STRETCH TO FIT. CORNERS GET SEALED SEE DETAIL BELOW.

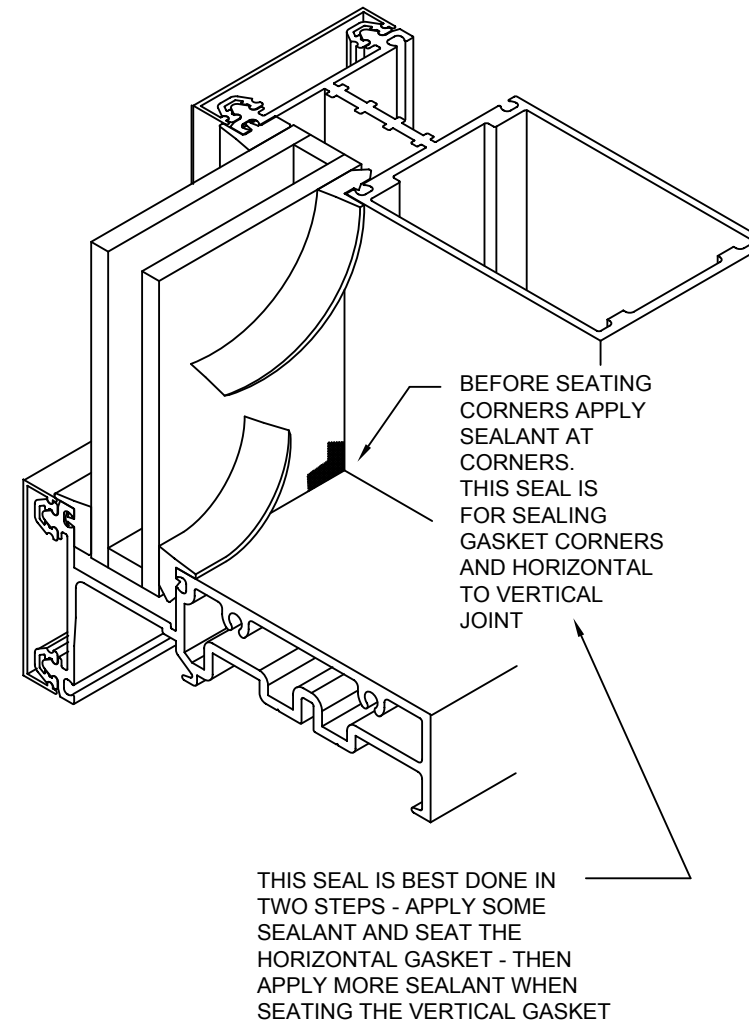


WATER MAY BE USED TO LUBRICATE WEDGE GASKET. BEFORE SEALING CORNERS WIPE GASKET AND CORNER WITH A CLEAN RAG. BEST METHOD IS TO LEAVE CORNERS OUT FOR SOME TIME TO LET WATER EVAPORATE AND WIPE CLEAN.



IF THE INSTALLATION OF THE WEDGE REQUIRES EXCESSIVE FORCE OR THE WEDGE DOES NOT PROVIDE ENOUGH COMPRESSION ON THE EXTERIOR FIXED GASKET, CONTACT YOUR KAWNEER PROJECT MANAGER IMMEDIATELY.

INTERIOR GLAZING

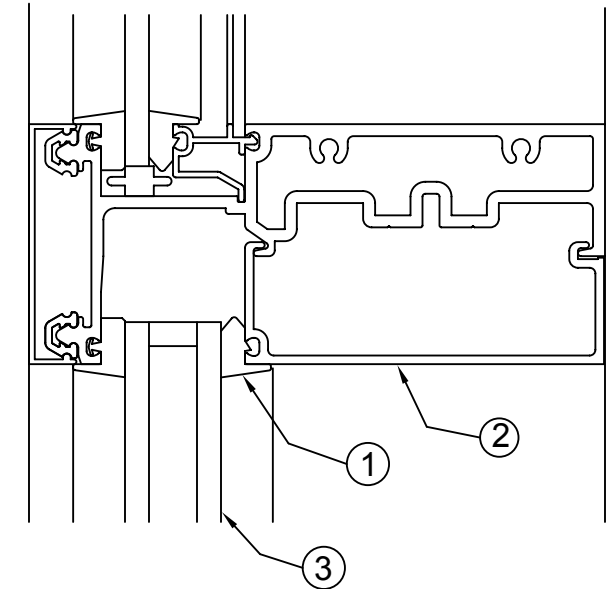


RE-GLAZING

INTERIOR GLAZED LITE

ORDER NEW

- 1 - FIXED GASKET ASSEMBLY
- 2 - WEDGE GASKET MATERIAL



REMOVE

- 1 - EXISTING WEDGE GASKET
- 2 - TOP INTERIOR STOP
- 3 - GLASS TO BE REPLACED

CLEAN METAL AND RE-GLAZE PER GLAZING INSTRUCTIONS



1600 SYSTEM 5 INSTALLATION
SHEAR BLOCK

PART NUMBER
166-972 8 OF 9

95488-31
07/25/07

DRAWING:

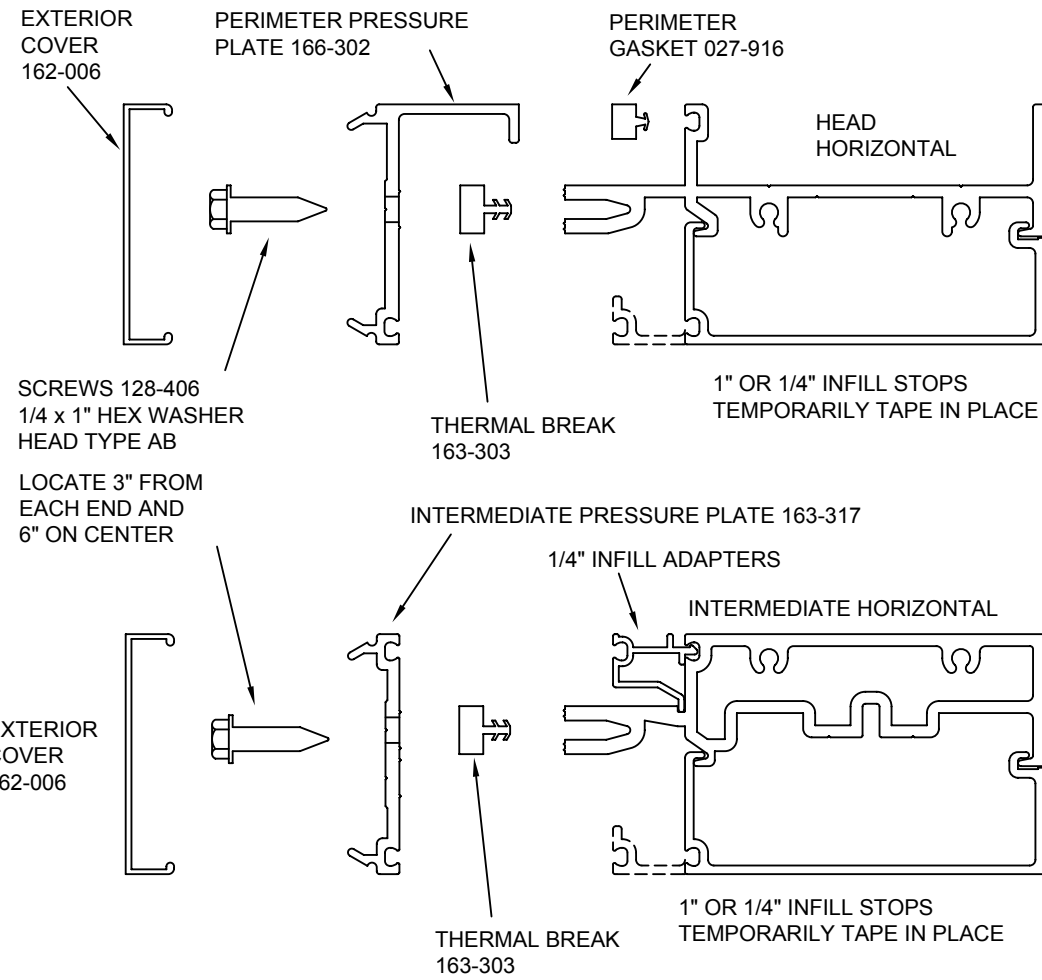
ORDER:

SHT:

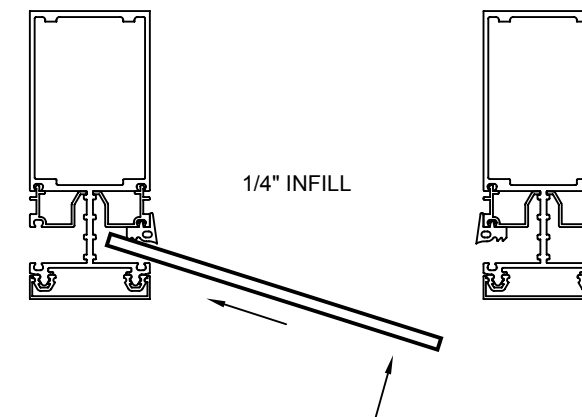
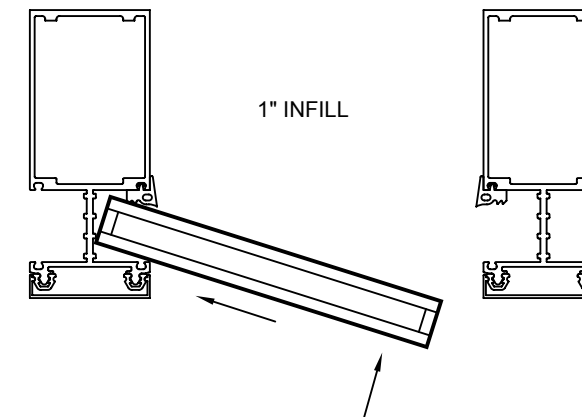
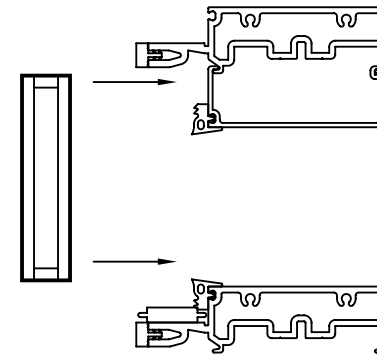
EXTERIOR GLAZING

EXTERIOR GLAZED HEAD AND INTERMEDIATE HORIZONTAL DETAILS

SILL DETAILS THE SAME AS INTERIOR GLAZING



INSTALL GLASS BY LIFTING ABOVE SILL AND INSERTING INTO VERTICAL POCKET AS SHOWN.



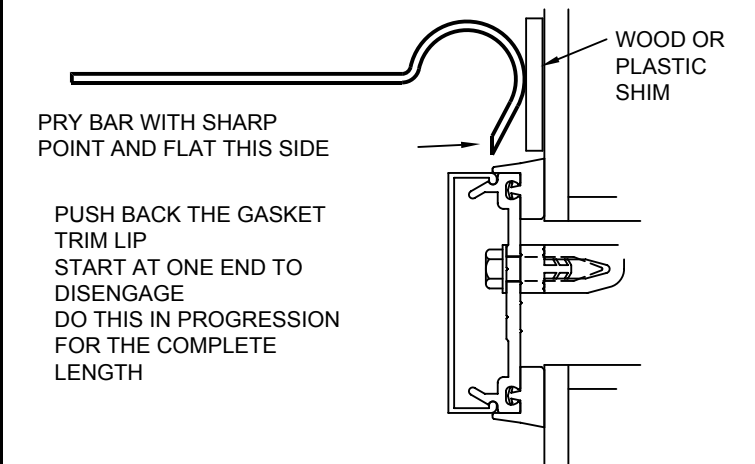
RE-GLAZING

EXTERIOR GLAZED LITES

ORDER NEW

- 1 - FIXED GASKET ASSEMBLY OR MATERIAL
- 2 - WEDGE GASKET MATERIAL AND SILL
- 4 - NEW EXTERIOR COVER IF EXISTING COVER CAN NOT BE SAVED

COVERS CAN BE SAVED IF TOLERANCES ARE NOT TOO TIGHT AND THE COVER IS REMOVED WITH EXTREME CARE



NEXT REMOVE PRESSURE PLATE, GASKETS AND GLASS.

CLEAN METAL AND RE-GLAZE PER EXTERIOR GLAZING INSTRUCTIONS

INSTALL SETTING BLOCKS SAME AS SHOWN AT INTERIOR GLAZING

INSTALL INTERIOR FIXED GASKETS SAME AS EXTERIOR GASKETS SHOWN AT INTERIOR GLAZING

INSTALL GLASS AS SHOWN ON THIS SHEET

INSTALL SIDE BLOCKS FROM THE EXTERIOR SAME AS AT INTERIOR GLAZING

INSTALL HORIZONTAL PRESSURE PLATES - TORQUE SCREWS TO 50 INCH POUNDS
- WITH WEEPS TOWARDS TOP OF HORIZONTAL

SEAL ALL EXTERIOR PRESSURE PLATE JOINTS

INSTALL EXTERIOR COVERS - INSTALL HORIZONTAL COVERS WITH THE WEEP HOLES DOWN

INSTALL EXTERIOR WEDGE GASKET SAME AS AT INTERIOR GLAZING



1600 SYSTEM 5 INSTALLATION
SHEAR BLOCK

PART NUMBER
166-972 9 OF 9

95488-31
07/25/07

DRAWING:

ORDER:

SHT: