

GENERAL NOTES

THESE INSTALLATION INSTRUCTIONS ARE A SUPPLEMENT TO THE APPROVED SHOP DRAWINGS. USE IN CONJUNCTION WITH THOSE DRAWINGS.

1 - HANDLING, STORING AND PROTECTING ALUMINUM MATERIAL.

THE FOLLOWING PRECAUTIONS ARE RECOMMENDED TO ASSURE EARLY ACCEPTANCE OF YOUR PRODUCTS AND WORKMANSHIP.

A - HANDLE CAREFULLY - DO NOT DROP FROM THE TRUCK. STACK WITH ADEQUATE SEPARATION SO MATERIAL WILL NOT RUB TOGETHER. STORE OFF THE GROUND. PROTECT AGAINST ELEMENTS AND OTHER CONSTRUCTION TRADES.

B - KEEP MATERIAL AWAY FROM WATER, MUD AND SPRAY - PREVENT CEMENT, PLASTER AND OTHER MATERIALS FROM DAMAGING THE FINISH.

C - PROTECT THE MATERIALS AFTER ERECTION, BY WRAPPING WITH KRAFT PAPER - OR BY ERECTING VISQUEEN/CANVAS SPLATTER SCREENS. CEMENT, PLASTER, TERRAZZO AND OTHER ALKALINE MATERIALS ARE VERY HARMFUL TO THE FINISH AND SHOULD BE REMOVED WITH WATER AND MILD SOAP BEFORE SETTING OCCURS. UNDER NO CIRCUMSTANCES ALLOW THESE MATERIALS TO TO DRY OR PERMANENT STAINING WILL OCCUR.

2 - GENERAL RULES

THE FOLLOWING PRACTICES ARE RECOMMENDED FOR ALL WALL INSTALLATIONS.

A - READ COMPLETE INSTRUCTIONS BEFORE ORDERING GLASS OR FABRICATING MATERIAL.

B - CHECK SHOP DRAWINGS TO BECOME THOROUGHLY FAMILIAR WITH THE JOB.

C - ALL MATERIALS ARE TO BE INSTALLED PLUMB, LEVEL AND TRUE.

D - ALL WORK SHOULD START FROM ESTABLISHED BENCH MARKS AND COLUMN CENTER LINES ESTABLISHED BY THE ARCHITECTURAL DRAWINGS AND THE GENERAL CONTRACTOR.

E - THE SEQUENCE OF ERECTION SHOULD BE COORDINATED WITH THE JOB SUPERINTENDENT SO DELAYS ARE PREVENTED AND RISK OF MATERIAL DAMAGE IS MINIMIZED. IF PRESETTING OF ANCHORAGE IS REQUIRED, COORDINATE WITH GENERAL CONTRACTOR AND SUPERVISE LOCATION.

F - MAKE CERTAIN CONSTRUCTION WHICH WILL RECEIVE YOUR MATERIALS IS ACCORDING TO THE CONTRACT DOCUMENTS. IF NOT, NOTIFY THE GENERAL CONTRACTOR IN WRITING AND RESOLVE DIFFERENCES BEFORE PROCEEDING WITH YOUR WORK.

G - INSULATE ALL ALUMINUM TO BE PLACED DIRECTLY IN CONTACT WITH THE MASONRY OR INCOMPATIBLE MATERIALS WITH A HEAVY COAT OF ZINC CHROMATE OR BITUMINOUS PAINT.

H - FOLLOW KAWNEER INSTALLATION AND GLAZING INSTRUCTIONS.

J - CHECK ALL MATERIAL ON ARRIVAL FOR QUANTITY.

K - BE SURE TO HAVE ALL THE MATERIALS AND TOOLS NEEDED TO BEGIN THE INSTALLATION.

- 1 - APPROVED SHOP DRAWINGS
- 2 - LEVEL AND PLUMB (TRANSIT)
- 3 - FASTENERS AND REQUIRED DRIVERS.
- 4 - PERIMETERS AND ACCESSORIES SUCH AS ANCHORS, FASTENERS, SLEEVES AND/OR SPLICE CAPS.
- 5 - SEALING MATERIALS.
- 6 - GLAZING MATERIALS.

L - FOLLOW SEALANT MANUFACTURER'S RECOMMENDATIONS FOR PROPER SEALANT AND APPLICATION. ALL SEALANTS AND MASTICS MUST BE COMPATIBLE WITH ALL SURFACES INCLUDING OTHER SEALANT SURFACES. WHERE REQUIRED ALL SEALANTS MUST ADHERE TO ALL SURFACES INCLUDING OTHER SEALANT SURFACES.

1600 SYSTEM 5 NOTES

1600 SYSTEM 5 IS AVAILABLE WITH 1" FRAMING MEMBERS WHICH ACCEPT BOTH 1" AND 1/4" INFILLS.

1600 SYSTEM 5 IS DESIGNED AS AN INTERIOR GLAZED SYSTEM. EXTERIOR GLAZING IS A OPTION. SEE EXTERIOR GLAZING STEPS.

GLASS BITE IS 7/16" AT VERTICALS.

GLASS BITE IS 7/16" AT HORIZONTALS.

GLASS SIZES MUST BE CALCULATED FROM APPROVED SHOP DRAWINGS. GASKET ASSEMBLIES ARE PREFERRED REFERENCE SHEET #9.

UNLESS OTHERWISE SPECIFIED, IT IS RECOMMENDED THAT SILICONE SEALANT BE USED FOR ALL INTERNAL SEALS.

SEALANT MUST BE APPLIED PER THE SEALANT MANUFACTURER'S RECOMMENDATIONS AND PASS ALL ADHESION AND COMPATIBILITY TESTING. AT ALL JOINT SEALS, SEALANT MUST ADHERE TO METAL, GASKETS, THERMAL SEPARATOR AND JOINT PLUG MATERIALS. CLEAN ALL SURFACES PRIOR TO APPLICATION OF SEALANT AND PRIME WHERE NECESSARY TO ACHIEVE PROPER ADHESION.

CHECK OPENINGS

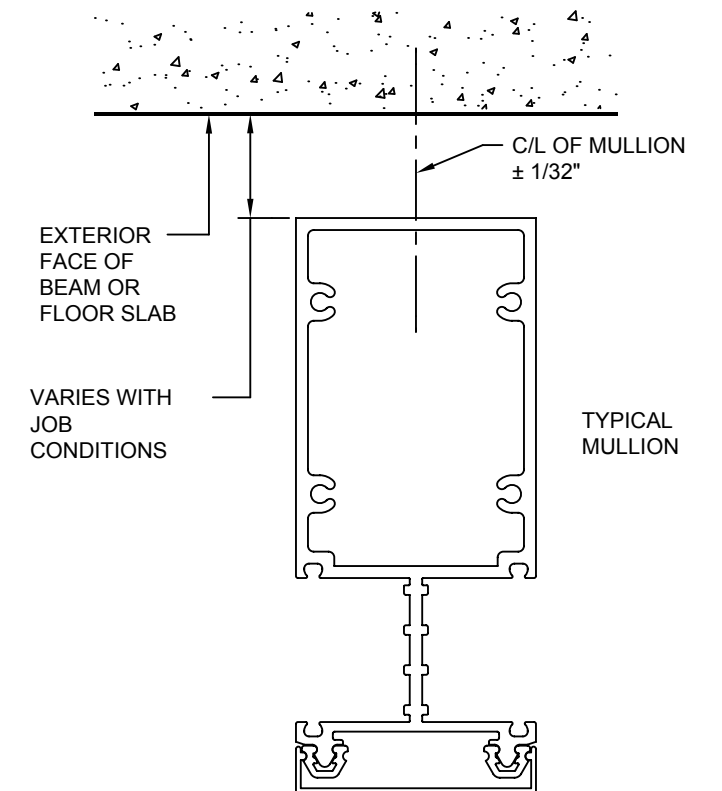
ELEVATIONS AND SLABS MUST BE WITHIN ADJUSTMENT OF ANCHORING SYSTEM. SEE APPROVED SHOP DRAWINGS FOR ALLOWABLE ADJUSTMENT.

ANCHORING SURFACES OF PERIMETER CONSTRUCTION MUST BE LEVEL AND PLUMB WITHIN THE ADJUSTMENT LIMITS OF THE HEAD, SILL AND JAMB. SEE APPROVED SHOP DRAWINGS FOR ALLOWABLE ADJUSTMENT.

LAY OUT ANCHOR AND MULLION CENTERLINES

USE WALL LINES ESTABLISHED BY THE GENERAL CONTRACTOR. ON EACH FLOOR LAY OUT A REFERENCE LINE TO ESTABLISH IN AND OUT WALL LOCATIONS.

USE COLUMN CENTER LINES ESTABLISHED BY THE GENERAL CONTRACTOR. ON EACH FLOOR LAY OUT MULLION CENTER LINES AND ANCHOR CENTER LINES.



SEE APPROVED SHOP DRAWINGS FOR ANCHOR LAYOUTS

THESE INSTRUCTIONS SHOW THE 6" SYSTEM. THE 7 1/2" SYSTEM IS SIMILAR



1600 SYSTEM 5 INSTALLATION
TYPE "B" UNITS - HEAD/SILL
RUNS THRU

PART NUMBER
166-970 1 OF 10

95488-31
07/25/07

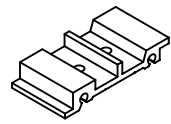
DRAWING:

ORDER:

SHT:

FRAME ASSEMBLY

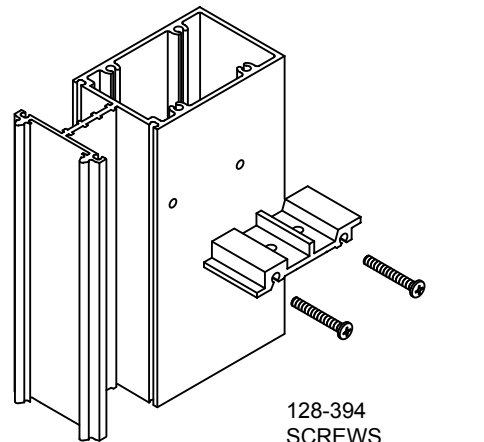
ATTACH INTERMEDIATE HORIZONTAL SHEAR BLOCKS WHERE APPLICABLE



TYPICAL SHEAR BLOCKS
163-310 6" SYSTEM
163-311 7-1/2" SYSTEM

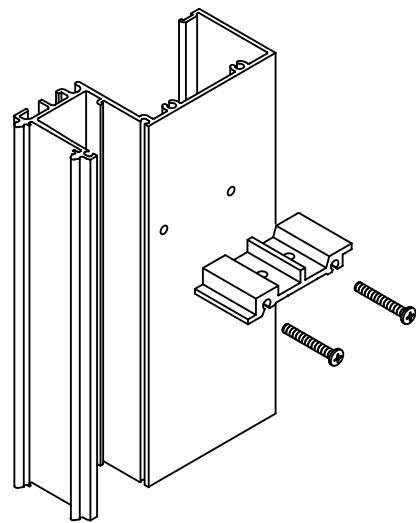
FOR INTERMEDIATE HORIZONTALS.

INTERMEDIATE VERTICAL



128-394 SCREWS
#12 X 1-7/8"
PAN HEAD TYPE B

JAMB VERTICAL

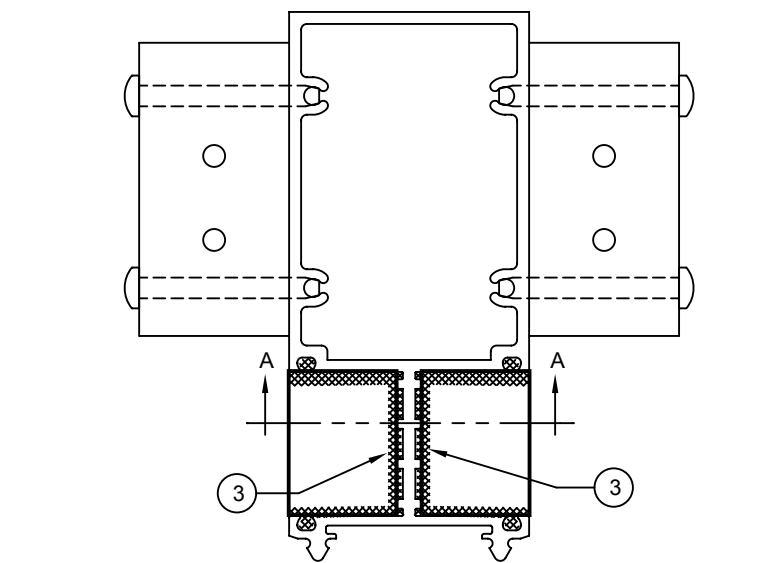
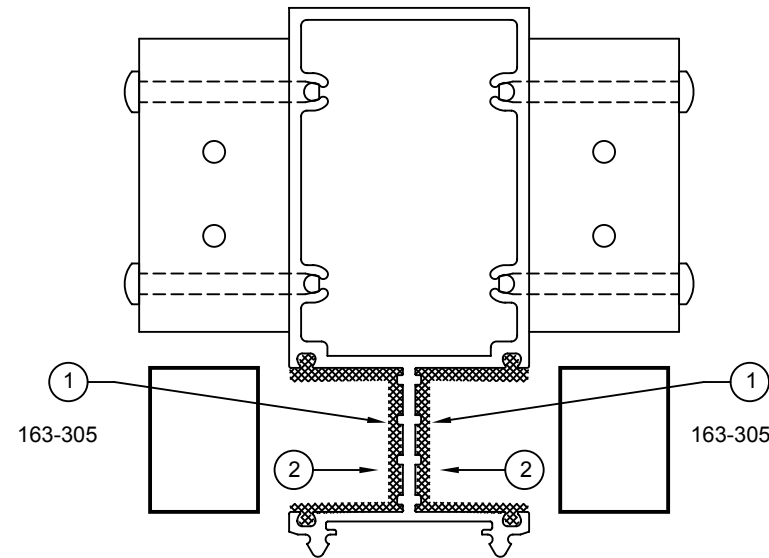


FRAME ASSEMBLY

INSTALL JOINT PLUGS.

NOTE JOINT PLUG LOCATIONS

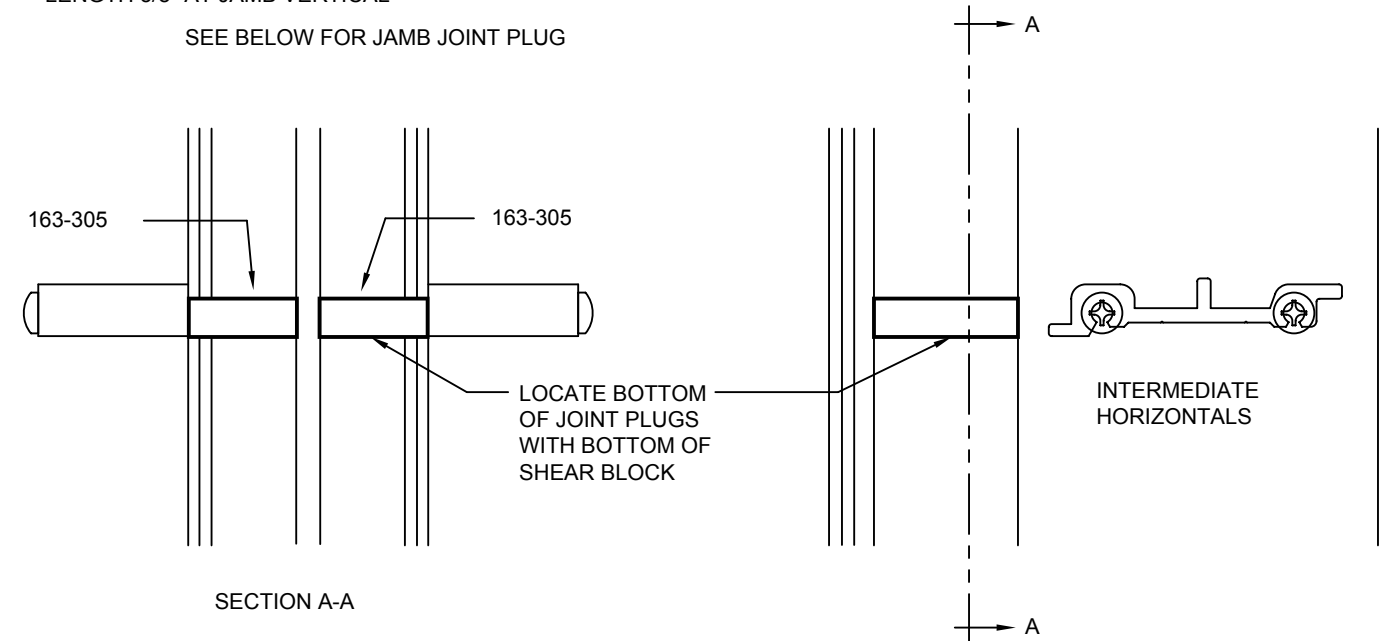
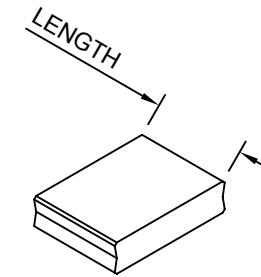
- ① APPLY SEALANT AT JOINT PLUG LOCATIONS FILLING GASKET POCKETS AND GROOVES
- ② INSTALL JOINT PLUGS INTO SEALANT
- ③ TOOL SEALANT TO SEAL ALL VOIDS



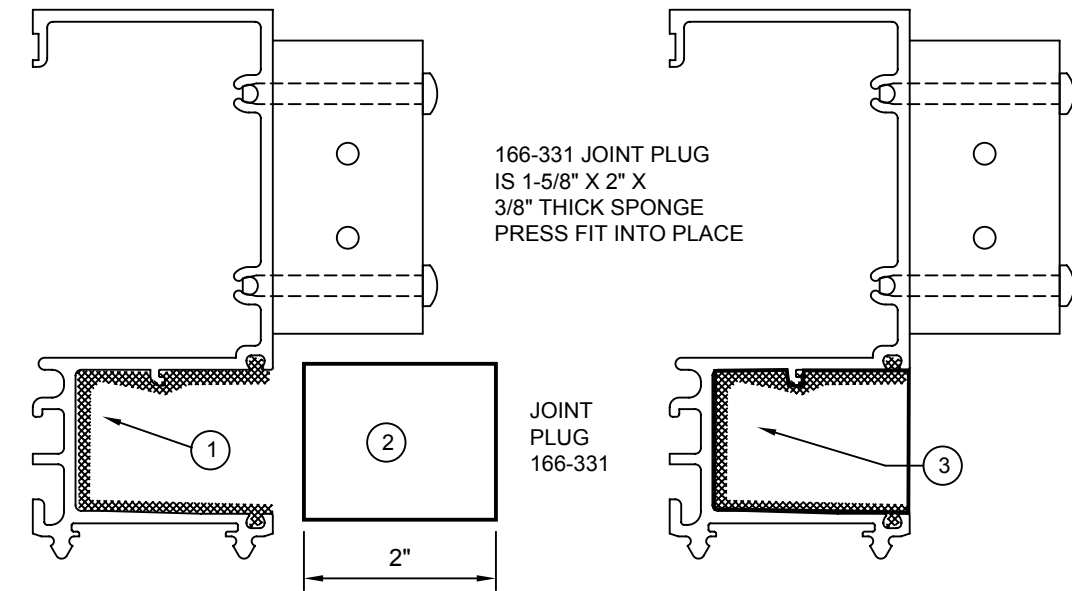
JOINT PLUG 163-305
LENGTH 1-1/8"

ADDITIONAL JOINT PLUG 166-331
LENGTH 5/8" AT JAMB VERTICAL

SEE BELOW FOR JAMB JOINT PLUG



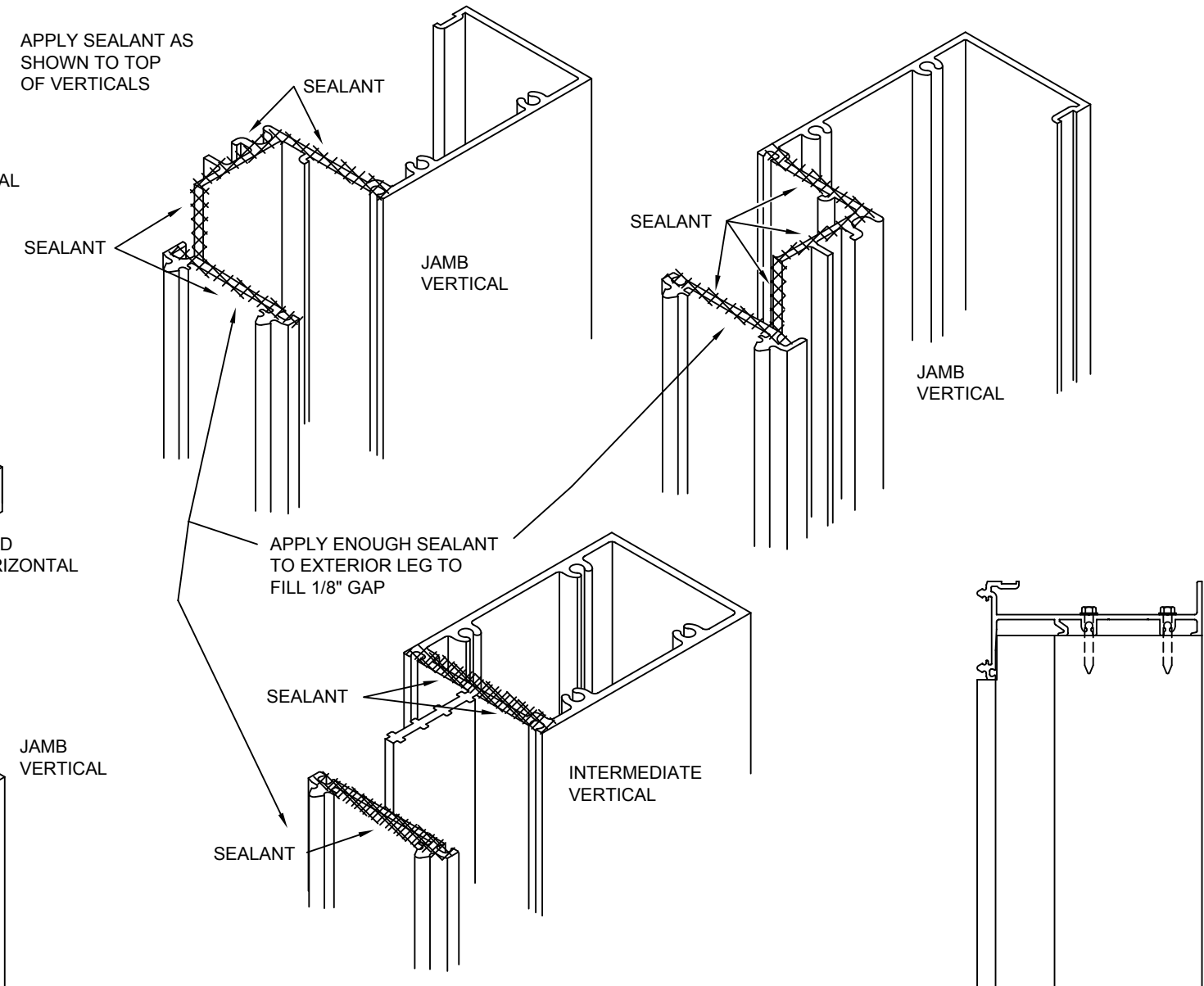
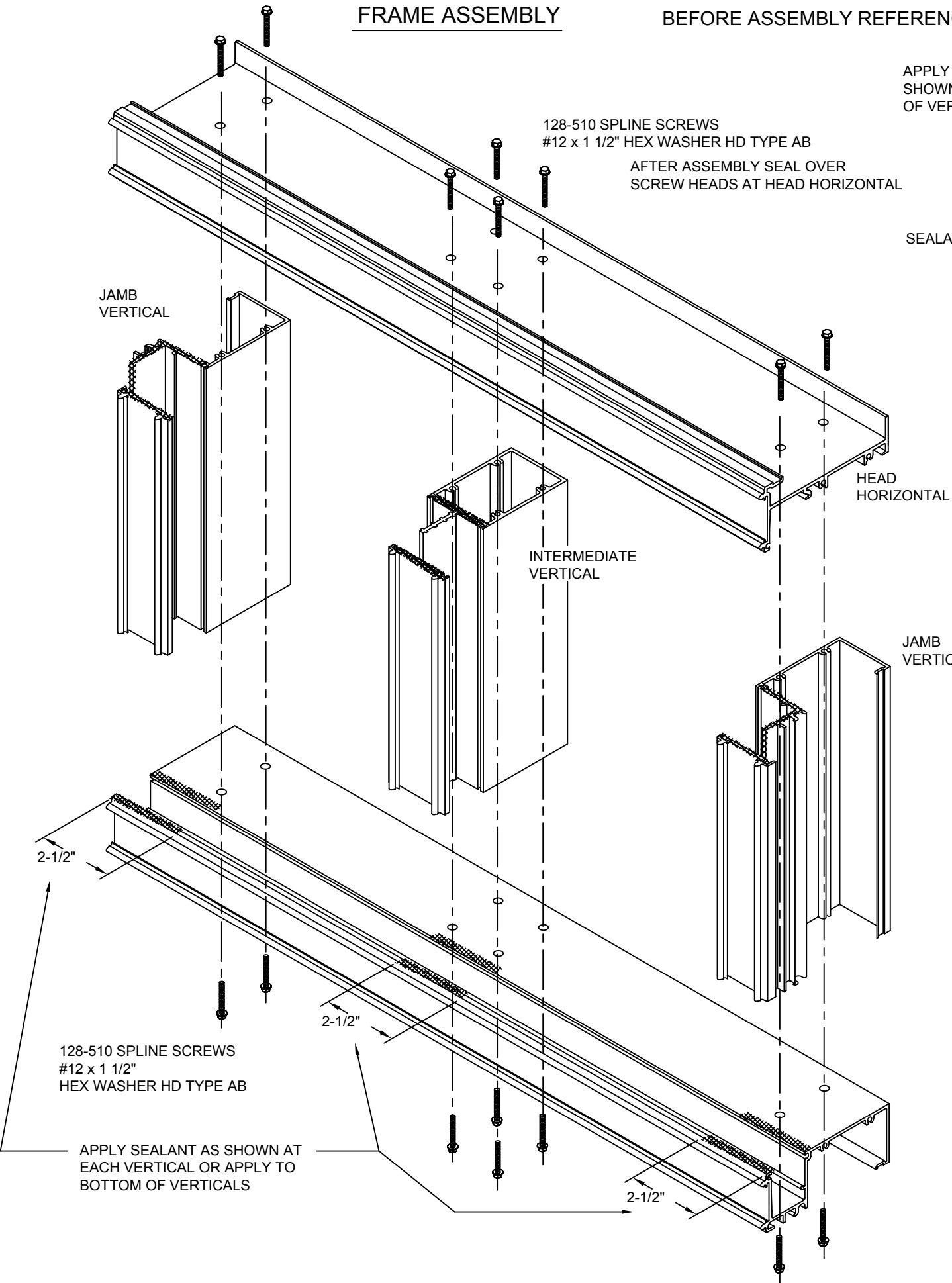
JAMB VERTICAL



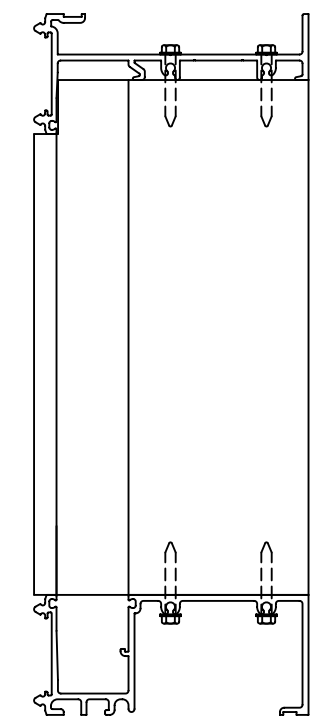
<p>1600 SYSTEM 5 INSTALLATION TYPE "B" UNITS - HEAD/SILL RUNS THRU</p>	<p>PART NUMBER 166-970 2 OF 10</p>	<p>95488-31 07/25/07</p>
	<p>ORDER:</p>	<p>DRAWING:</p>
	<p>SHT:</p>	<p>ORDER:</p>
	<p>ORDER:</p>	<p>DRAWING:</p>

FRAME ASSEMBLY

BEFORE ASSEMBLY REFERENCE APPROVED SHOP DRAWINGS FOR ANCHOR ATTACHMENTS



TOOL ALL SEALANT AFTER ASSEMBLY



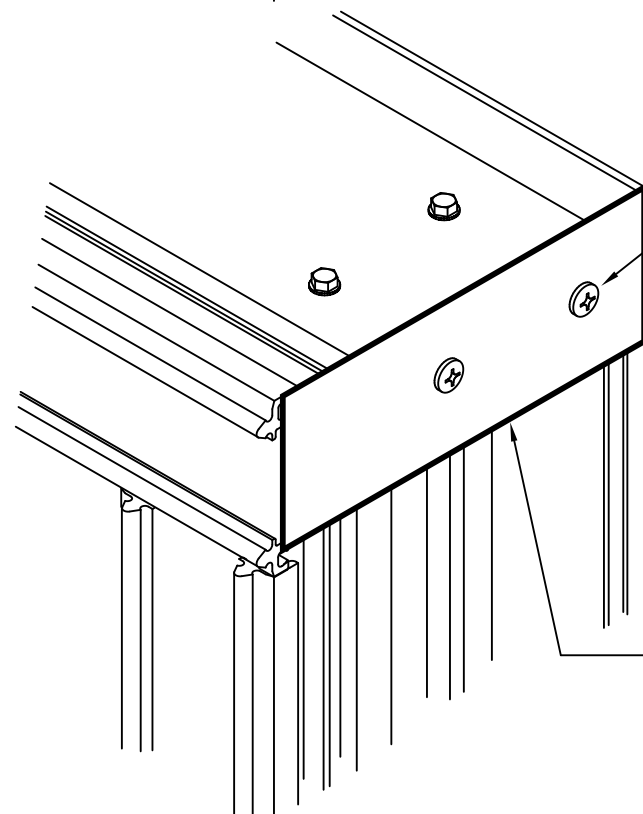
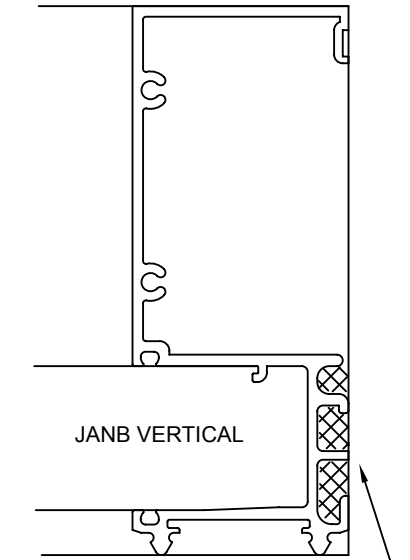
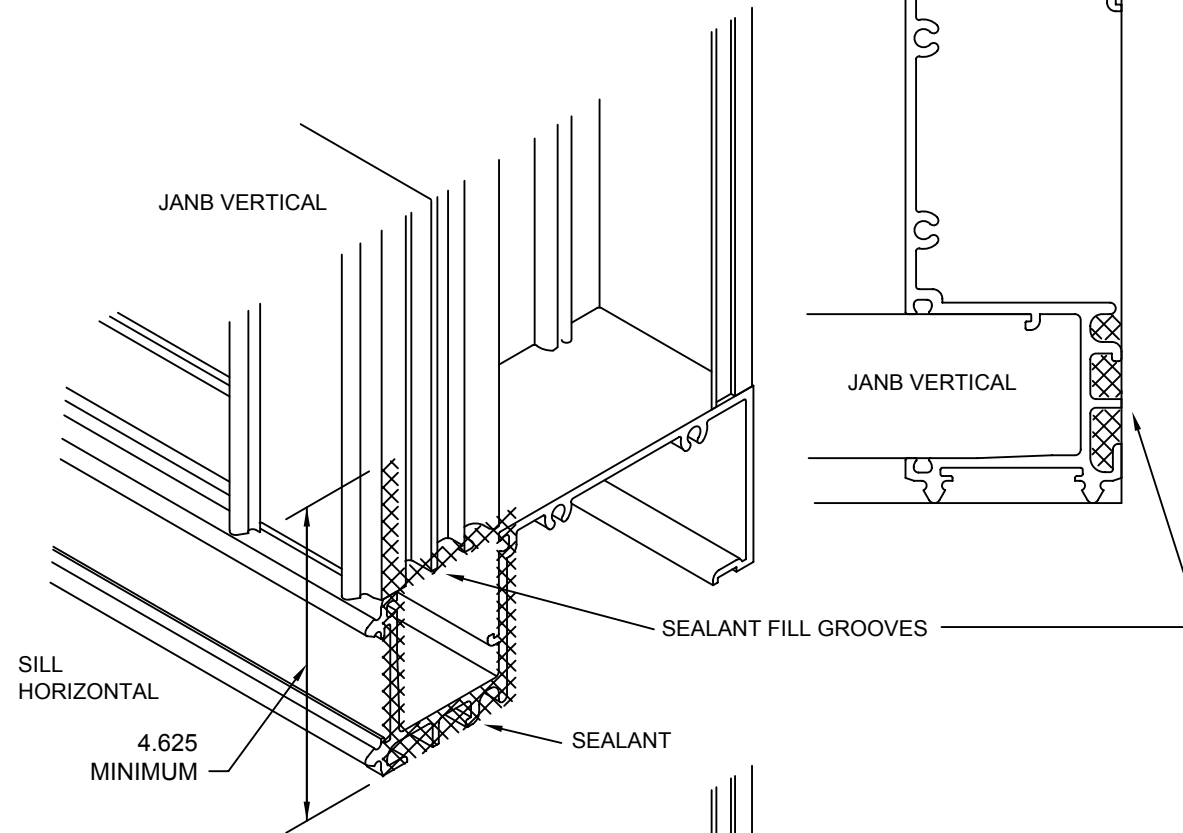
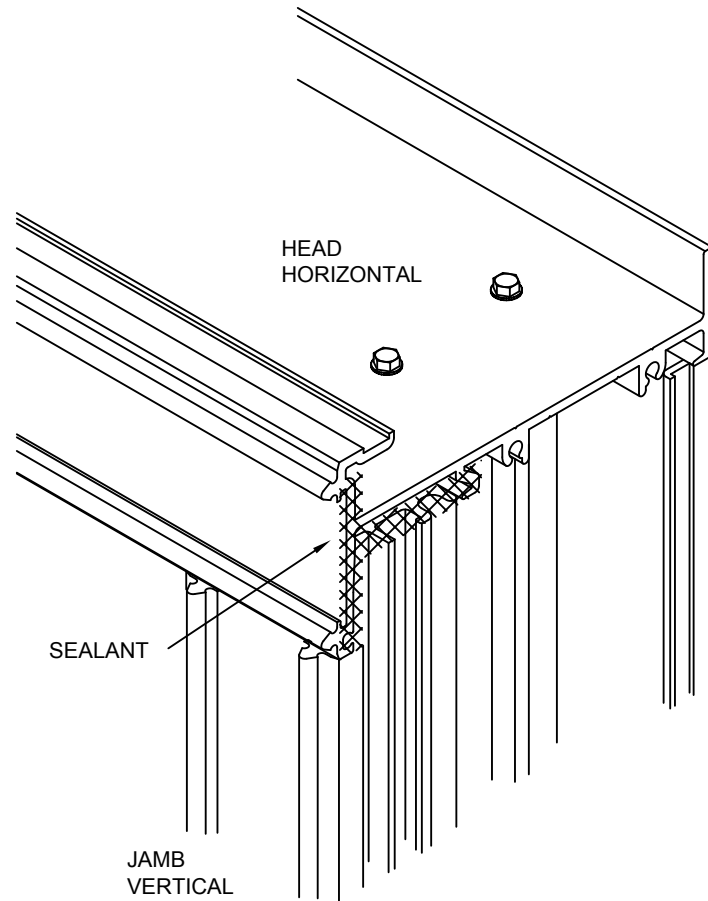
<p>KAWNEER</p> <p>1600 SYSTEM 5 INSTALLATION TYPE "B" UNITS - HEAD/SILL RUNS THRU</p>	<p>PART NUMBER 166-970 3 OF 10</p>
	<p>95488-31 07/25/07</p>
	<p>DRAWING:</p>
	<p>ORDER:</p>
<p>SHT:</p>	<p>166-970 3 OF 10</p>

FRAME ASSEMBLY

INSTALL HEAD AND SILL END CAPS

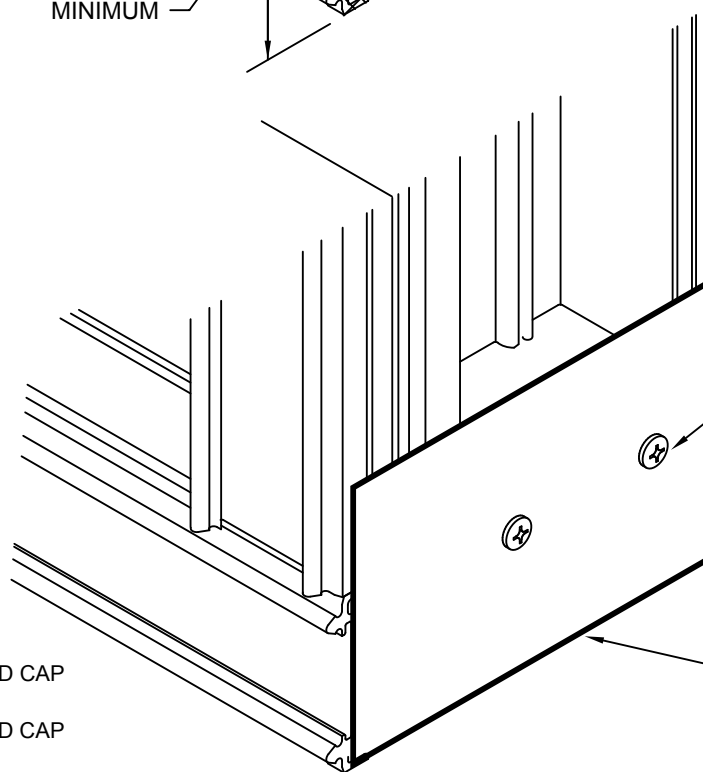
STANDARD END CAPS SHOWN REFERENCE APPROVED SHOP DRAWINGS FOR JOB REQUIREMENTS FOR END CAPS

APPLY SEALANT AS SHOWN TO ENDS OF HORIZONTALS



128-293 SCREWS
#12 x 5/8"
PAN HD TYPE AB

166-316 HEAD END CAP
6" SYSTEM
166-303 HEAD END CAP
7 1/2" SYSTEM
APPLY WITH 128-293
SCREWS AS SHOWN
TOOL SEALANT AFTER
INSTALLATION



128-293 SCREWS
#12 x 5/8"
PAN HD TYPE AB

166-317 SILL END CAP
6" SYSTEM
166-304 SILL END CAP
7 1/2" SYSTEM
APPLY WITH 128-293
SCREWS AS SHOWN
TOOL SEALANT AFTER
INSTALLATION

<p>1600 SYSTEM 5 INSTALLATION TYPE "B" UNITS - HEAD/SILL RUNS THRU</p>	<p>PART NUMBER 166-970 4 OF 10</p>
	<p>95488-31 07/25/07</p>
	<p>DRAWING:</p>
	<p>ORDER:</p>
<p>SHT:</p>	<p>166-970 4 OF 10</p>

FRAME ASSEMBLY

AT EXTERIOR GLAZED HEAD

BEFORE ASSEMBLY REFERENCE APPROVED SHOP DRAWINGS FOR ANCHOR ATTACHMENTS

128-510 SPLINE SCREWS
#12 x 1 1/2" HEX WASHER HD TYPE AB

JAMB
VERTICAL

EXTERIOR GLAZED
HEAD
HORIZONTAL

INTERMEDIATE
VERTICAL

JAMB
VERTICAL

163-303 THERMAL BREAK
HORIZONTAL LENGTH MINUS
3/16" EACH END

CROSS SECTION THRU
ASSEMBLED UNIT

INSTALL HEAD AND SILL END CAPS

APPLY SEALANT AS SHOWN
TO ENDS OF HORIZONTALS

HEAD
HORIZONTAL

SEALANT

JAMB
VERTICAL

APPLY SEALANT AS
SHOWN TO TOP
OF VERTICALS

SEALANT

JAMB
VERTICAL

TOOL ALL SEALANT
AFTER ASSEMBLY

SEALANT

INTERMEDIATE
VERTICAL

SEALANT

JAMB
VERTICAL

128-293 SCREWS
#12 X 5/8"
PAN HD TYPE AB

166-316 HEAD END CAP
6" SYSTEM
166-303 HEAD END CAP
7 1/2" SYSTEM
APPLY WITH 128-293
SCREWS AS SHOWN
TOOL SEALANT AFTER
INSTALLATION



1600 SYSTEM 5 INSTALLATION
TYPE "B" UNITS - HEAD/SILL
RUNS THRU

PART NUMBER
166-970 5 OF 10

95488-31
07/25/07

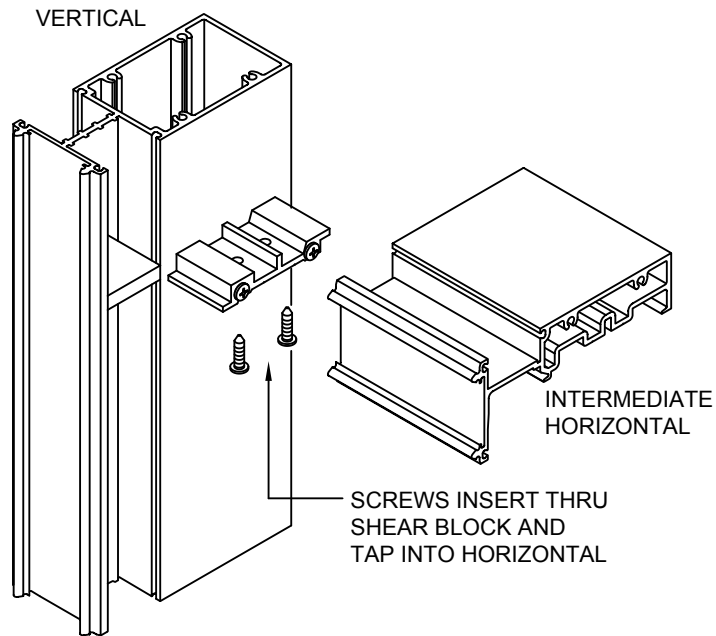
DRAWING:

ORDER:

SHT:

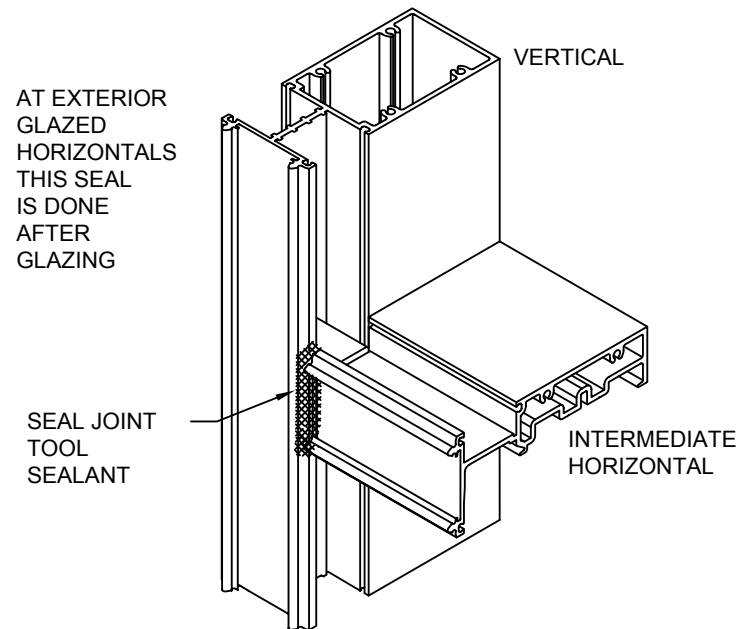
INSTALL INTERMEDIATE HORIZONTALS

INSTALL HORIZONTALS WITH 128-293 SCREWS AS SHOWN #12 x 5/8" PAN HEAD TYPE AB



SEAL EXTERIOR HORIZONTAL TO VERTICAL JOINT

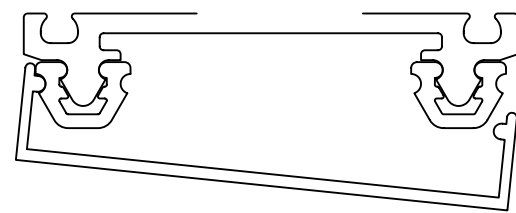
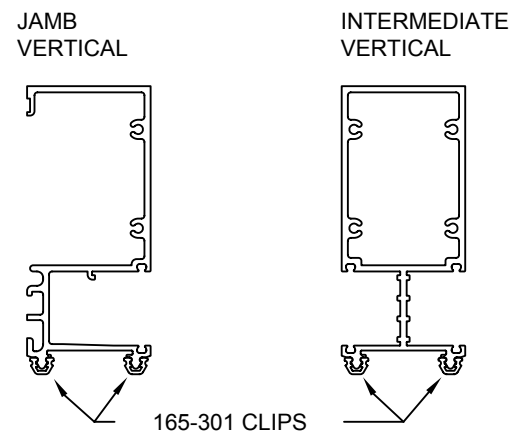
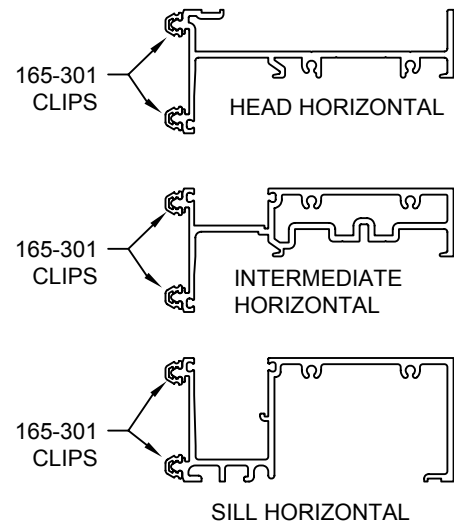
DO THIS STEP JUST PRIOR TO INSTALLING EXTERIOR COVERS



INSTALL EXTERIOR THERMAL CLIPS AND EXTERIOR COVERS

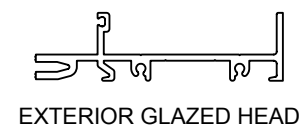
INSTALL COVERS THAT RUN THRU FIRST

INSTALL 165-301 THERMAL CLIPS AT DLO MINUS 2". CENTER PART ON DLO. RUN CONTINUOUS AROUND ELEVATION OUTSIDE PERIMETER WHERE POSSIBLE. BUTT SPLICED PARTS ARE ACCEPTABLE.



ENGAGE ONE SIDE OF COVER AND INSTALL USING WOOD BLOCKING AND MALLETT

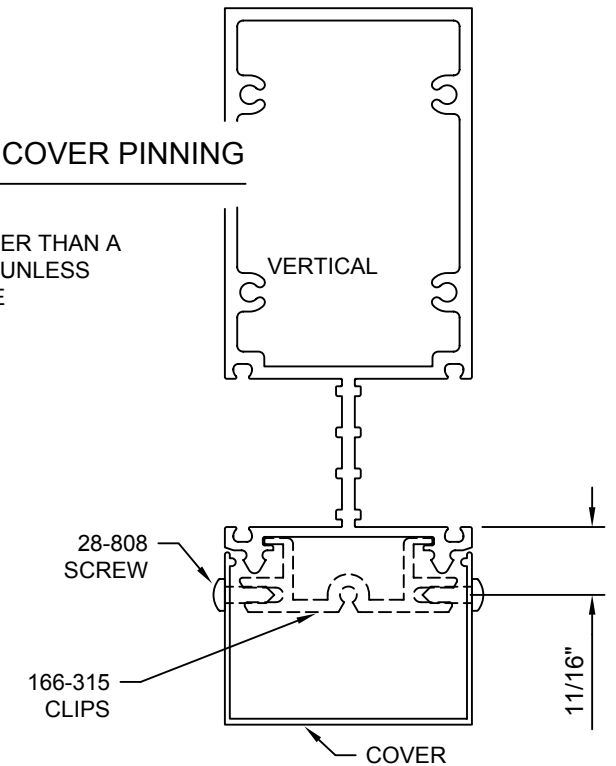
AT EXTERIOR GLAZING COVERS ARE INSTALLED AFTER GLAZING



INSTALL HORIZONTAL COVERS WITH THE WEEP HOLES AT THE BOTTOM.

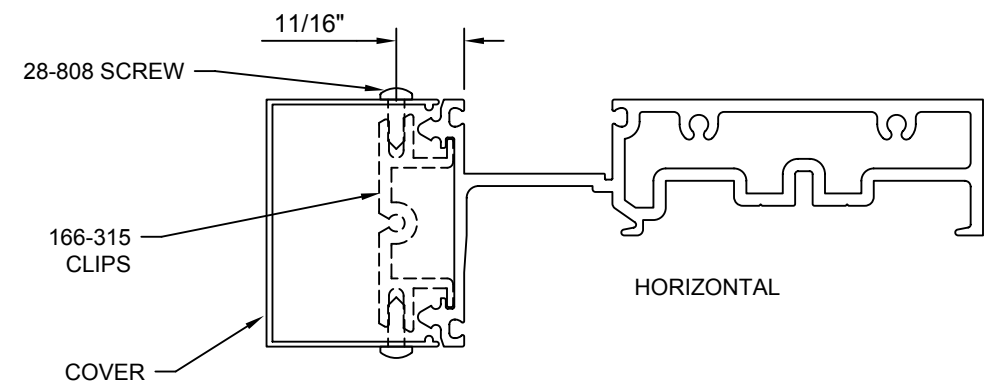
DEEP EXTERIOR COVER PINNING

FOR COVERS DEEPER THAN A 1 1/2" PROJECTION UNLESS NOTED OTHERWISE



DEEP VERTICAL COVER PINNING LOCATE CLIPS AT HEAD AND SILL HORIZONTALS

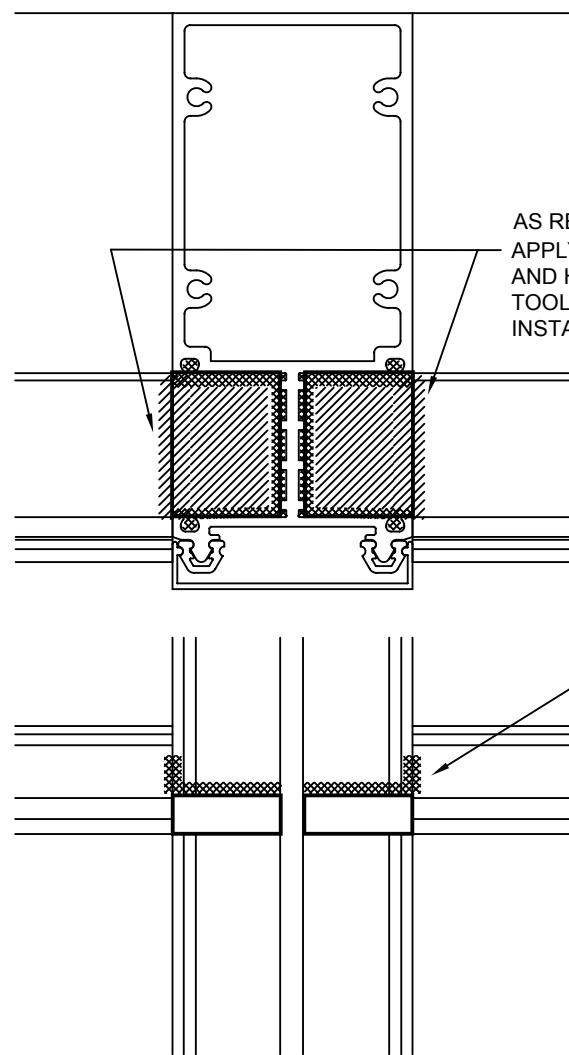
CRIMP INTO PLACE AT CLIP BOTTOM DRILL .177" DIA HOLES #16 DRILL INTO COVER APPLY 28-808 SCREWS JUST SNUG SCREW INTO PLACE DO NOT OVER TIGHTEN



DEEP HORIZONTAL COVER PINNING LOCATE CLIPS AT EACH END OF HORIZONTAL CRIMP INTO PLACE LEAVING A SPACE FOR COVER EXPANSION DRILL .177 DIA HOLES #16 DRILL INTO COVER APPLY 28-808 SCREWS #8 x 1/2" PAN HEAD TYPE A JUST SNUG SCREW INTO PLACE DO NOT OVER TIGHTEN

<p>1600 SYSTEM 5 INSTALLATION TYPE "B" UNITS - HEAD/SILL RUNS THRU</p>	<p>PART NUMBER 166-970 6 OF 10</p>	<p>95488-34 06/30/10</p>
	<p>DRAWING:</p>	<p>ORDER:</p>
	<p>SHT:</p>	

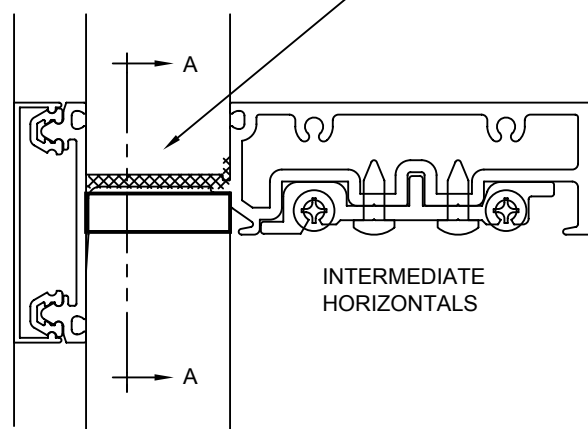
SEAL JOINT PLUG TO HORIZONTAL



AS REQUIRED
TOOL A SMALL AMOUNT OF
SEALANT ONTO THE
FACE OF THE HORIZONTAL
TO VERTICAL JOINT.
THE REMAINDER OF THE
JOINT WILL BE SEALED
WHEN THE GLAZING
GASKETS ARE INSTALLED.

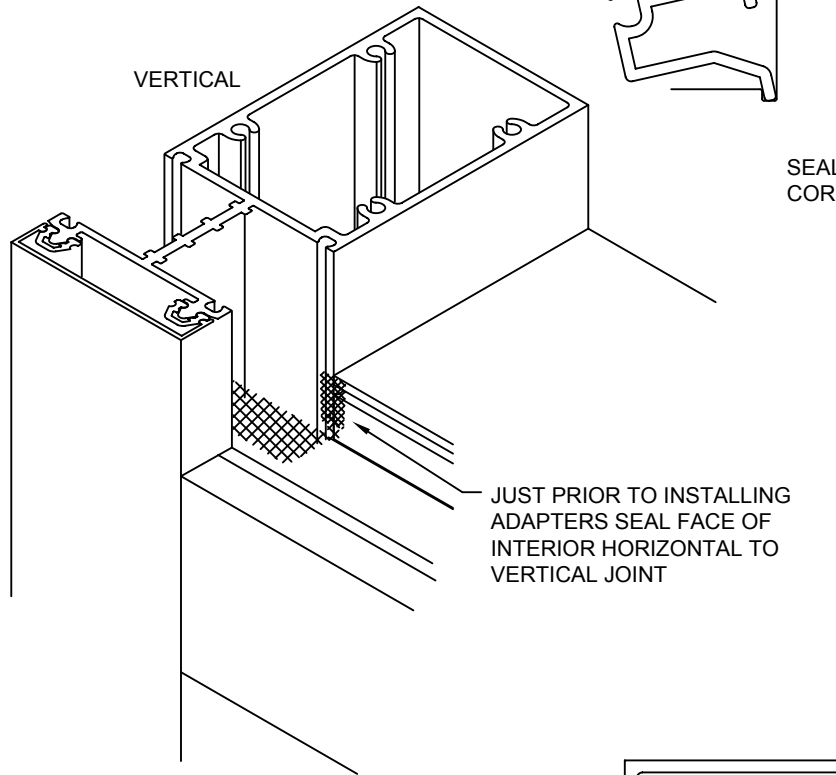
SECTION A-A

AS REQUIRED
TOOL SEALANT AS FLUSH AS POSSIBLE
SO GLAZING POCKET IS NOT PLUGGED
AFTER GLASS IS INSTALLED



INSTALL 1/4" INFILL ADAPTERS

INSTALL VERTICAL
ADAPTERS FIRST



SEAL ADAPTER
CORNERS

VERTICAL

SEAL THE BOTTOM ADAPTER
CONTINUOUS AND THE JAMB
ADAPTERS UP 6" FROM THE
BOTTOM

INTERMEDIATE HORIZONTAL

SEAL

VERTICAL

POCKET
ADAPTER
164-007

POCKET
ADAPTER
164-007

POCKET
ADAPTER
163-006

POCKET
ADAPTER
164-007

SILL HORIZONTAL

INTERMEDIATE HORIZONTAL



1600 SYSTEM 5 INSTALLATION
TYPE "B" UNITS - HEAD/SILL
RUNS THRU

PART NUMBER
166-970 7 OF 10

95488-31
07/25/07

DRAWING:

ORDER:

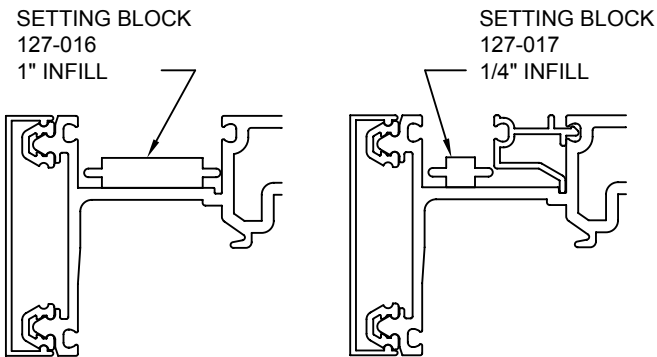
SHT:

INTERIOR GLAZING

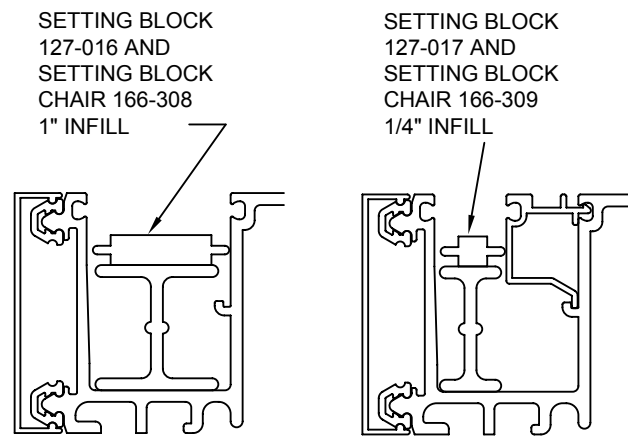
IT IS ESSENTIAL THAT ALL GUTTERS AT HORIZONTALS BE CLEANED PRIOR TO GLAZING.

THIS IS NECESSARY TO AVOID CLOGGING OF WEEP SYSTEMS AS WELL AS STAINING OF EXTERIOR METAL AND GLASS SURFACES.

INSTALL SETTING BLOCKS LOCATING PER APPROVED SHOP DRAWINGS.



INTERMEDIATE HORIZONTALS



SILL HORIZONTALS

NOTE - GASKET ASSEMBLIES ARE PREFERRED IN ORDER TO MAINTAIN THE GASKET CORNERS WHEN INSTALLING THE GLASS. IF ASSEMBLIES ARE NOT USED SEAL GASKET CORNERS AND ALLOW SEALANT TO SKIN OVER BEFORE INSTALLING THE GLASS.

INTERIOR GLAZING

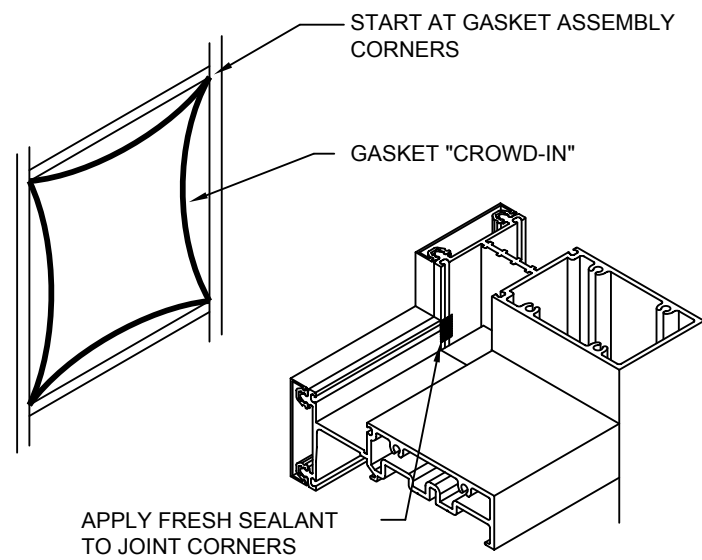
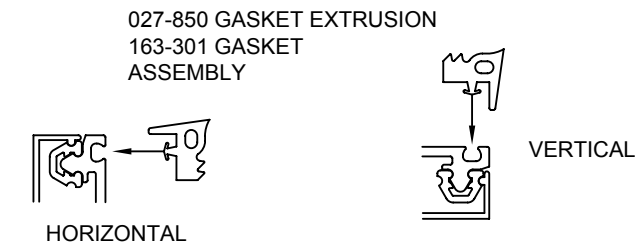
INSTALL EXTERIOR GASKET ASSEMBLIES.

GASKET ASSEMBLIES SHOULD BE INSTALLED JUST PRIOR TO GLASS TO AVOID GASKET CONTAMINATION BY JOB SITE DEBRIS.

IN TEMPERATURES COLDER THAN 50 DEGREES F, ARRANGEMENTS SHOULD BE MADE TO KEEP THE GASKETS WARM UNTIL INSTALLATION OF GASKETS AND GLASS. THIS WILL PREVENT EXCESSIVE GLAZING PRESSURE ON THE GLASS EDGE DUE TO COLD, STIFF GASKETS.

GASKETS CAN BECOME DEFORMED DURING STORAGE IN CARTONS. REMOVE GASKETS FROM CARTONS SEVERAL HOURS PRIOR TO USE AND ALLOW TO LAY FLAT OR HANG OVER RACK. TEMPERATURES SHOULD BE AT LEAST 50 DEGREES F.

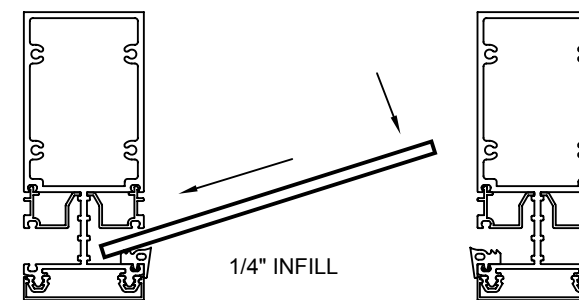
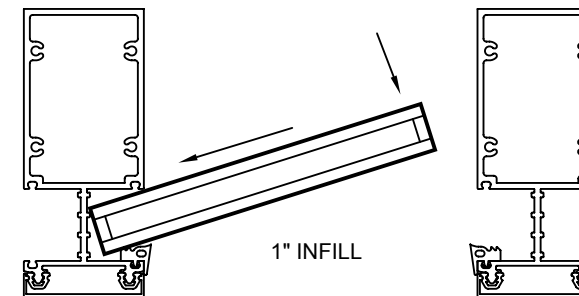
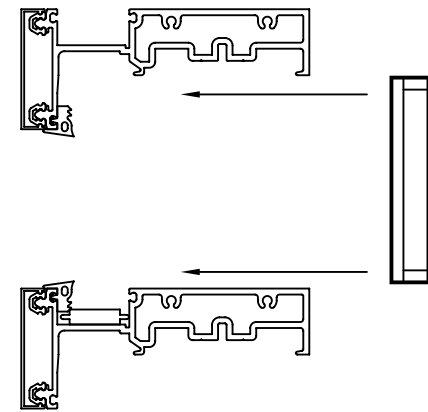
INSTALL GASKET ASSEMBLIES BY STARTING AT THE CORNERS AND WORKING TOWARDS THE CENTER, MAKING SURE THE CORNERS ARE SQUARE. GASKET ASSEMBLIES WILL BE SLIGHTLY LARGE TO ALLOW FOR SOME CROWD-IN. DO NOT STRETCH, CUT OR SPLICE GASKETS.



INSTALL COMPLETE GASKET ASSEMBLY THEN PULL BACK CORNERS AND APPLY SEALANT JUST PRIOR TO INSTALLING GLASS

INTERIOR GLAZING

INSTALL GLASS BY LIFTING ABOVE SILL AND INSERTING INTO VERTICAL POCKET AS SHOWN.



INTERIOR GLAZING

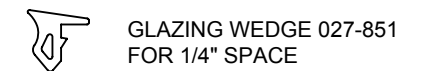
AFTER THE GLASS IS LOWERED ONTO THE SETTING BLOCKS AND CENTERED HORIZONTALLY LIFT THE GLASS SLIGHTLY AND PUSH FORWARD INTO THE EXTERIOR GASKETS.

REFERENCE - FGMA GLAZING MANUAL IN THE "GLASS SETTING" SECTION.

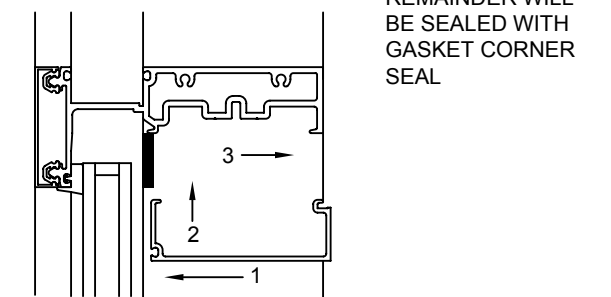
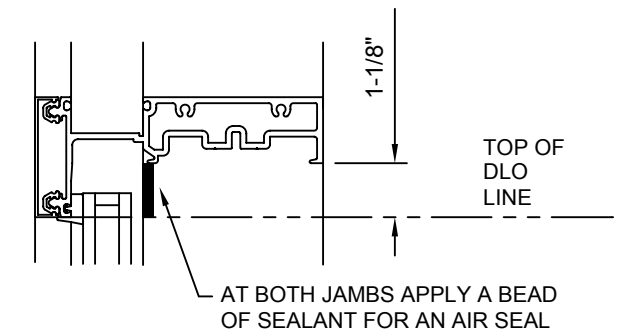
THE ABOVE WILL KEEP THE GLASS EDGE FROM DIGGING AND DEFORMING THE SETTING BLOCK. INSTALL A SHORT PIECE OF GLAZING WEDGE AT THE SETTING BLOCKS AS A TEMPORARY.

INSTALL A SHORT PIECE OF GLAZING WEDGE AT THE TWO VERTICALS AS A TEMPORARY. LOCATE TOWARDS THE TOP OF THE LITE.

LUBRICATE WITH WATER AS REQUIRED



INSTALL TOP INTERIOR HORIZONTAL STOPS



AFTER THE STOP IS INSTALLED USE GLAZING WEDGE TEMPORARIES.



1600 SYSTEM 5 INSTALLATION
TYPE "B" UNITS - HEAD/SILL
RUNS THRU

PART NUMBER
166-970 8 OF 10

95488-31
07/25/07

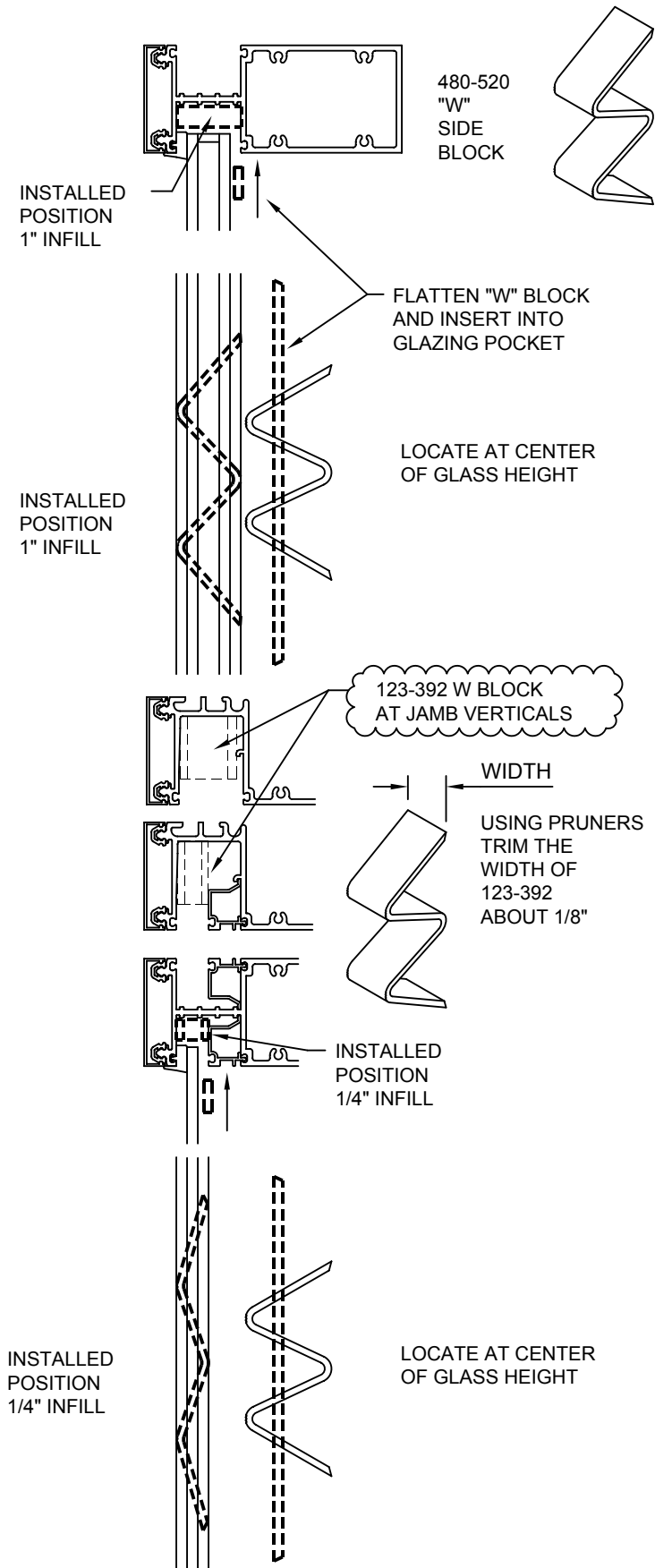
DRAWING:

ORDER:

SHT:

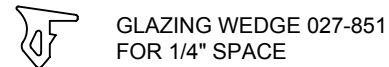
INTERIOR GLAZING

INSTALL "W" SIDE BLOCKS INTO BOTH VERTICAL POCKETS.



INTERIOR GLAZING

INSTALL GLAZING WEDGE GASKET

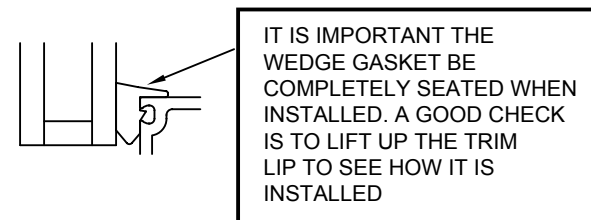


IN TEMPERATURES COLDER THAN 50 DEGREES F. ARRANGEMENTS SHOULD BE MADE TO KEEP THE GASKETS WARM UNTIL INSTALLATION OF GASKETS AND GLASS. THIS WILL PREVENT EXCESSIVE GLAZING PRESSURE ON THE GLASS EDGE DUE TO COLD, STIFF GASKETS.

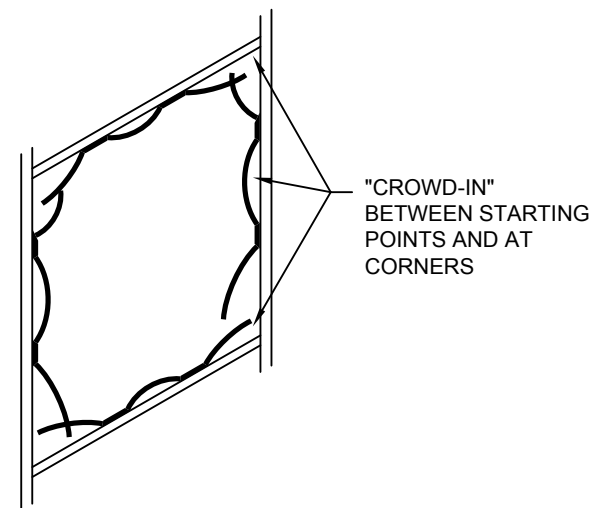
GASKETS CAN BECOME DEFORMED DURING STORAGE IN CARTONS. REMOVE GASKETS FROM CARTONS SEVERAL HOURS PRIOR TO USE AND ALLOW TO LAY FLAT OR HANG OVER RACK. TEMPERATURES SHOULD BE AT LEAST 50 DEGREES F.

APPLY WEDGE GASKETS IN THE SHALLOW POCKET SIDES FIRST TO REDUCE ANY POSSIBLE ROTATION OF THE APPLIED PRESSURE PLATE.

WHEN STARTING THE WEDGE GASKET THE BEST PLACE TO START IS NEAR A TEMPORARY. CUT THE WEDGE 1/8" TO 1/4" PER FOOT LONG FOR GASKET "CROWD-IN". THE "CROWD-IN" TO BE BETWEEN STARTING POINTS AND AT CORNERS. DO NOT STRETCH TO FIT. CORNERS GET SEALED SEE DETAIL BELOW.

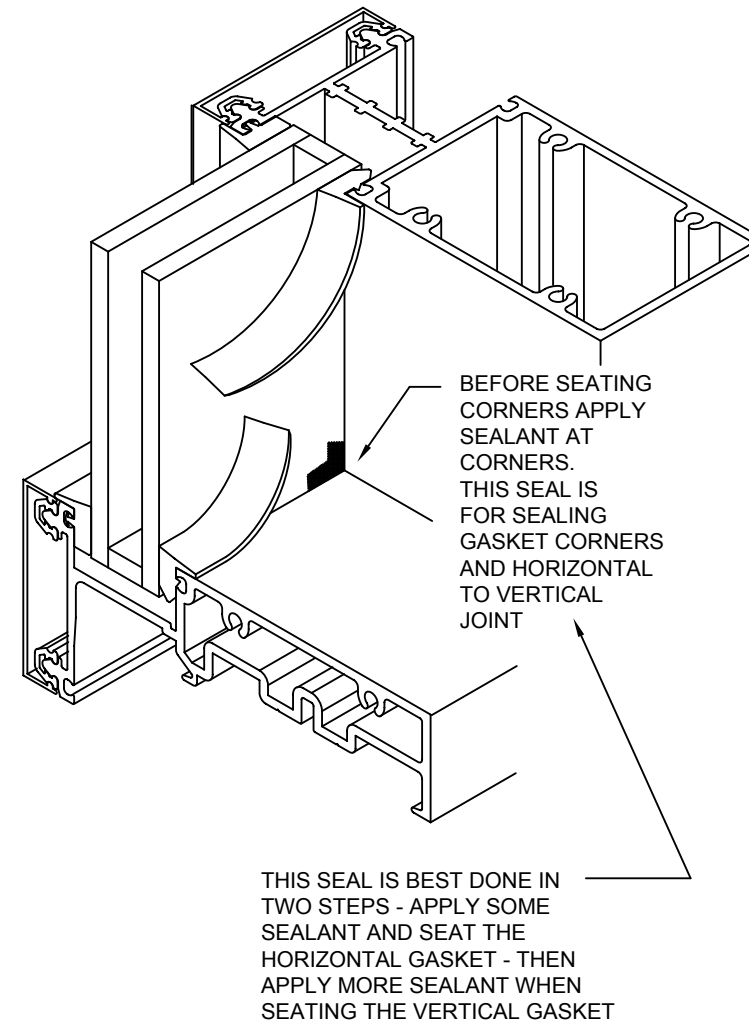


WATER MAY BE USED TO LUBRICATE WEDGE GASKET. BEFORE SEALING CORNERS WIPE GASKET AND CORNER WITH A CLEAN RAG. BEST METHOD IS TO LEAVE CORNERS OUT FOR SOME TIME TO LET WATER EVAPORATE AND WIPE CLEAN.



IF THE INSTALLATION OF THE WEDGE REQUIRES EXCESSIVE FORCE OR THE WEDGE DOES NOT PROVIDE ENOUGH COMPRESSION ON THE EXTERIOR FIXED GASKET, CONTACT YOUR KAWNEER PROJECT MANAGER IMMEDIATELY.

INTERIOR GLAZING

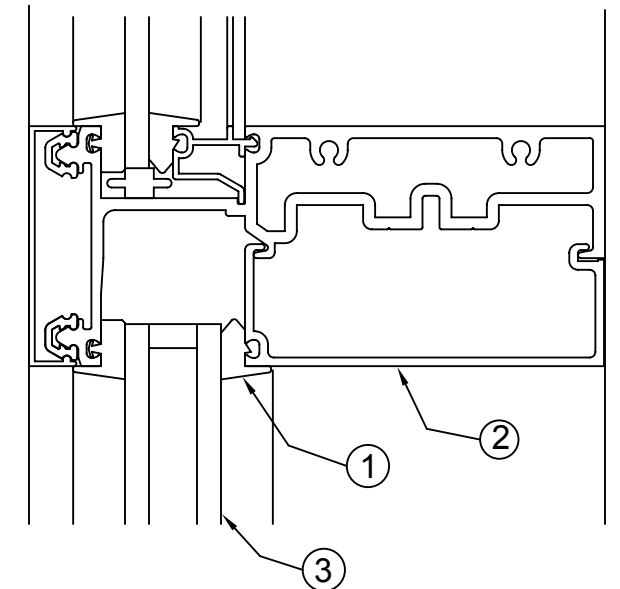


RE-GLAZING

INTERIOR GLAZED LITE

ORDER NEW

- 1 - FIXED GASKET ASSEMBLY
- 2 - WEDGE GASKET MATERIAL



REMOVE

- 1 - EXISTING WEDGE GASKET
- 2 - TOP INTERIOR STOP
- 3 - GLASS TO BE REPLACED

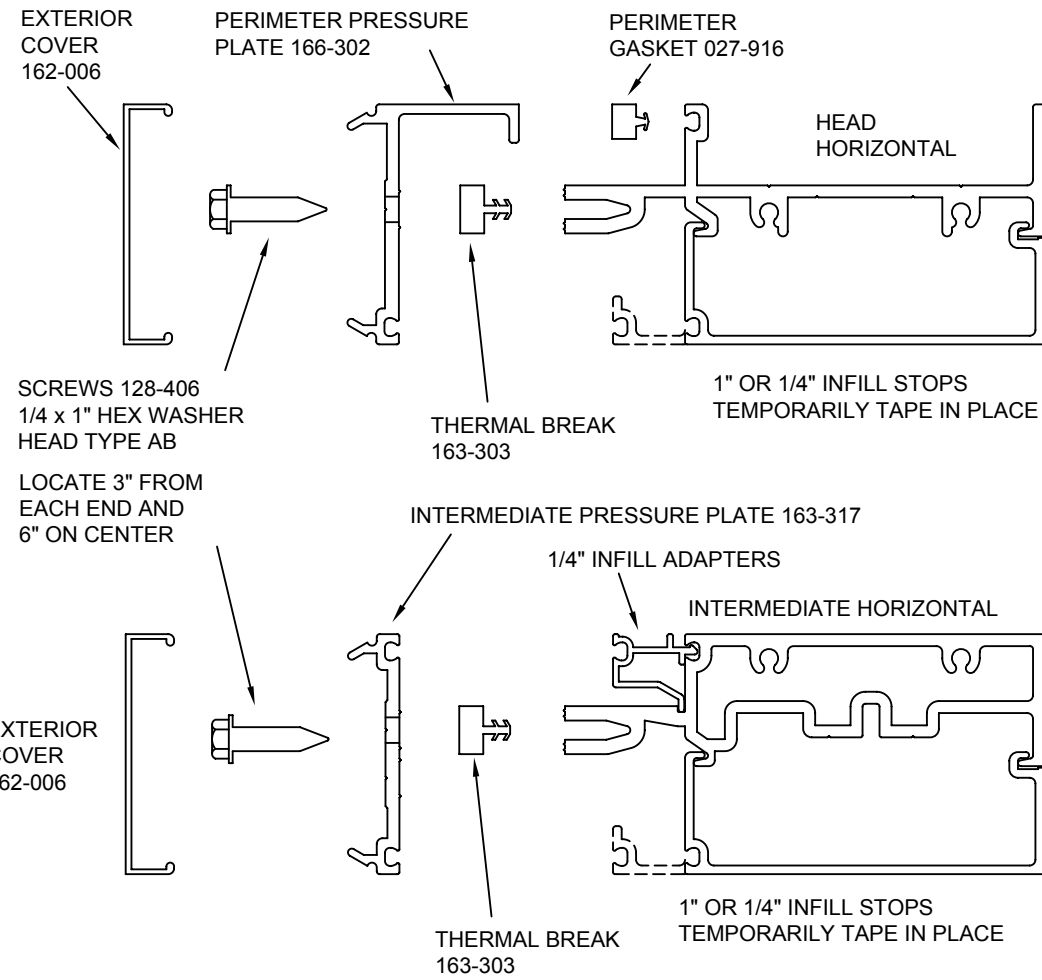
CLEAN METAL AND RE-GLAZE PER GLAZING INSTRUCTIONS

<p>1600 SYSTEM 5 INSTALLATION TYPE "B" UNITS - HEAD/SILL RUNS THRU</p>	<p>95488-31 07/25/07</p>
	<p>DRAWING:</p>
	<p>ORDER:</p>
	<p>SHT:</p>
<p>PART NUMBER 166-970 9 OF 10</p>	

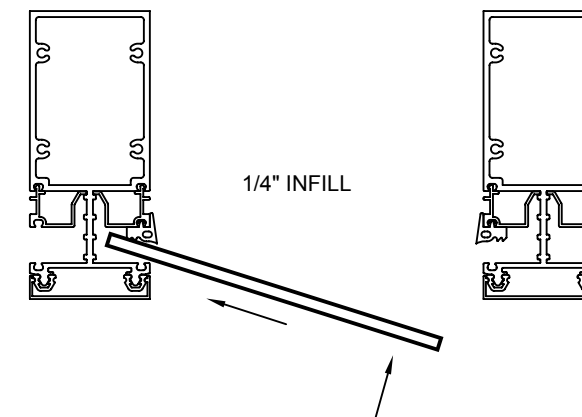
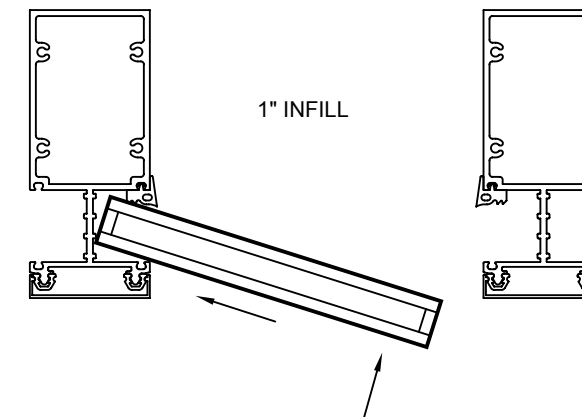
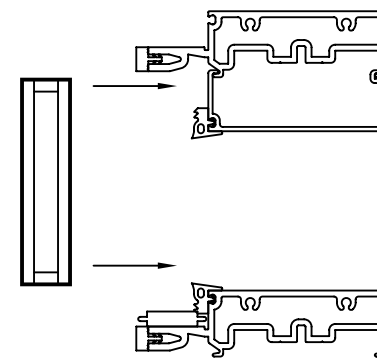
EXTERIOR GLAZING

EXTERIOR GLAZED HEAD AND INTERMEDIATE HORIZONTAL DETAILS

SILL DETAILS THE SAME AS INTERIOR GLAZING



INSTALL GLASS BY LIFTING ABOVE SILL AND INSERTING INTO VERTICAL POCKET AS SHOWN.



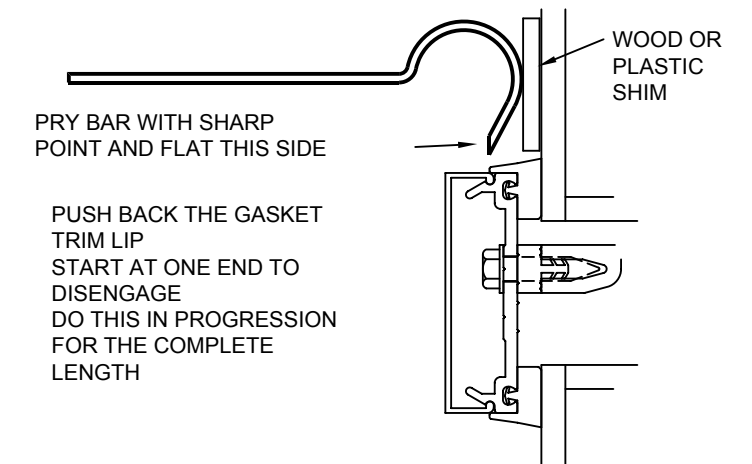
RE-GLAZING

EXTERIOR GLAZED LITES

ORDER NEW

- 1 - FIXED GASKET ASSEMBLY OR MATERIAL
- 2 - WEDGE GASKET MATERIAL AND SILL
- 4 - NEW EXTERIOR COVER IF EXISTING COVER CAN NOT BE SAVED

COVERS CAN BE SAVED IF TOLERANCES ARE NOT TOO TIGHT AND THE COVER IS REMOVED WITH EXTREME CARE



PRY BAR WITH SHARP POINT AND FLAT THIS SIDE

PUSH BACK THE GASKET TRIM LIP START AT ONE END TO DISENGAGE DO THIS IN PROGRESSION FOR THE COMPLETE LENGTH

NEXT REMOVE PRESSURE PLATE, GASKETS AND GLASS.

CLEAN METAL AND RE-GLAZE PER EXTERIOR GLAZING INSTRUCTIONS

- INSTALL SETTING BLOCKS SAME AS SHOWN AT INTERIOR GLAZING
- INSTALL INTERIOR FIXED GASKETS SAME AS EXTERIOR GASKETS SHOWN AT INTERIOR GLAZING
- INSTALL GLASS AS SHOWN ON THIS SHEET
- INSTALL SIDE BLOCKS FROM THE EXTERIOR SAME AS AT INTERIOR GLAZING
- INSTALL HORIZONTAL PRESSURE PLATES - TORQUE SCREWS TO 50 INCH POUNDS - WITH WEEPS TOWARDS TOP OF HORIZONTAL
- SEAL ALL EXTERIOR PRESSURE PLATE JOINTS
- INSTALL EXTERIOR COVERS - INSTALL HORIZONTAL COVERS WITH THE WEEP HOLES DOWN
- INSTALL EXTERIOR WEDGE GASKET SAME AS AT INTERIOR GLAZING



1600 SYSTEM 5 INSTALLATION
TYPE "B" UNITS - HEAD/SILL
RUNS THRU

PART NUMBER
166-970 10 OF 10

95488-31
07/25/07

DRAWING:

ORDER:

SHT: