

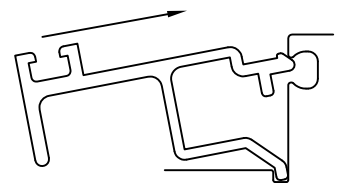
INSTALL VENT POCKET ADAPTERS

USE THESE INSTRUCTIONS IN CONJUNCTION WITH INSTALLATION INSTRUCTIONS 164-970 FOR SYSTEM<sup>4</sup> COMPLETE STEPS 1 THROUGH 7 BEFORE STARTING THE FOLLOWING INSTRUCTIONS.

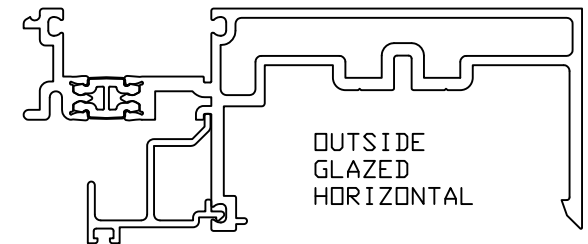
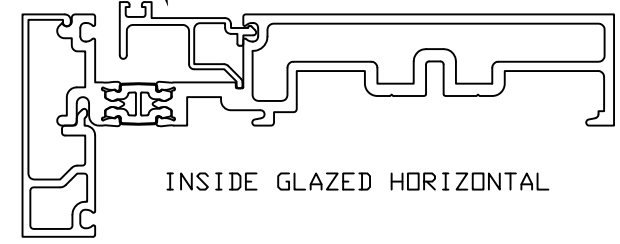
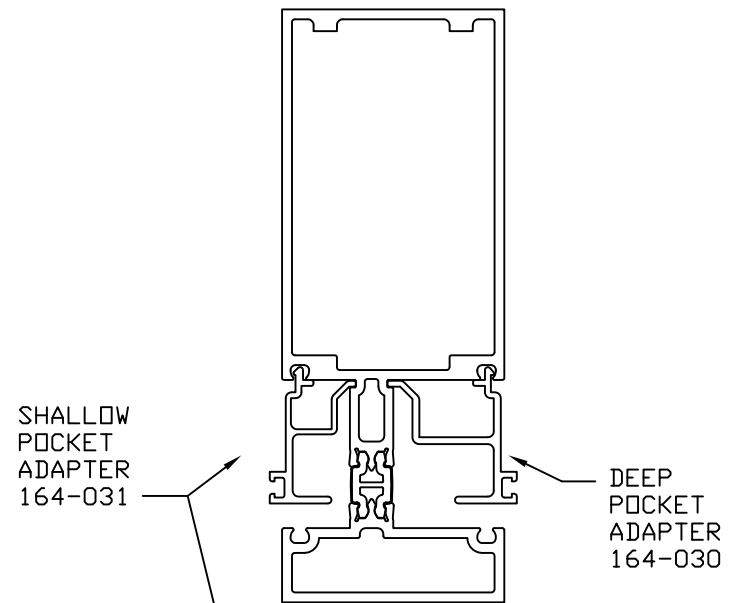
164-971 FOR SYSTEM<sup>4</sup> RIBBON COMPLETE STEPS 1 THROUGH 6 BEFORE STARTING THE FOLLOWING INSTRUCTIONS.

SQUARENESS AND DAYLITE OPENING DIMENSIONS MUST BE HELD TO WITHIN 1/16" OF NOMINAL FOR THE VENTS TO FIT AND OPERATE PROPERLY. DIAGONAL DIMENSIONS ACROSS OPENING MUST NOT VARY MORE THAN 1/16".

INSTALL VERTICAL ADAPTERS FIRST

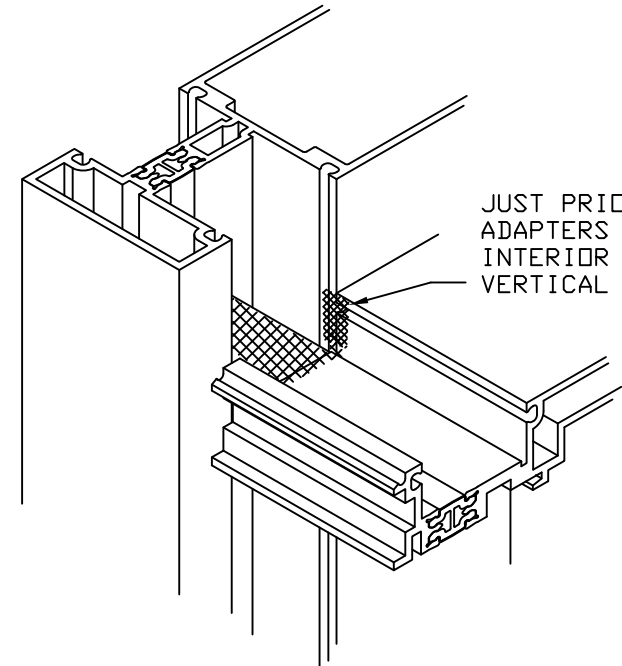
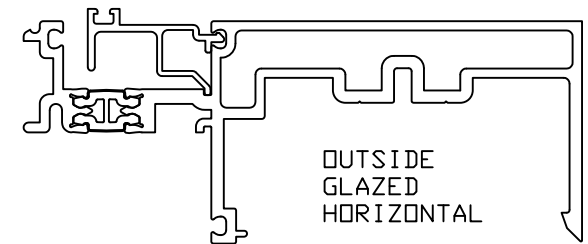


ALL SURFACES AND GROOVES MUST BE CLEANED PER THE SEALANT MANUFACTURER'S RECOMMENDATIONS.

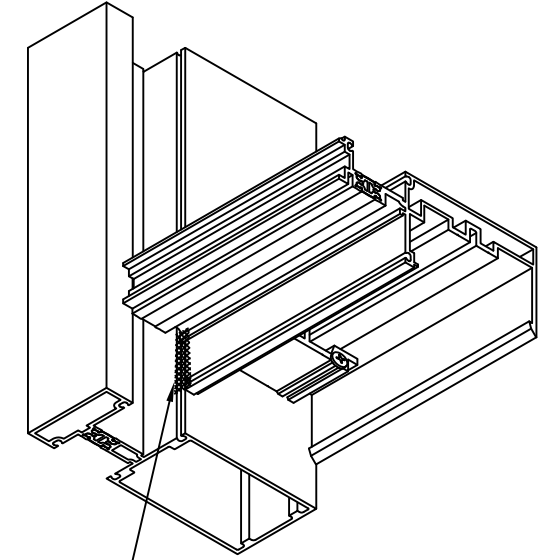


DEEP POCKET ADAPTER 164-030

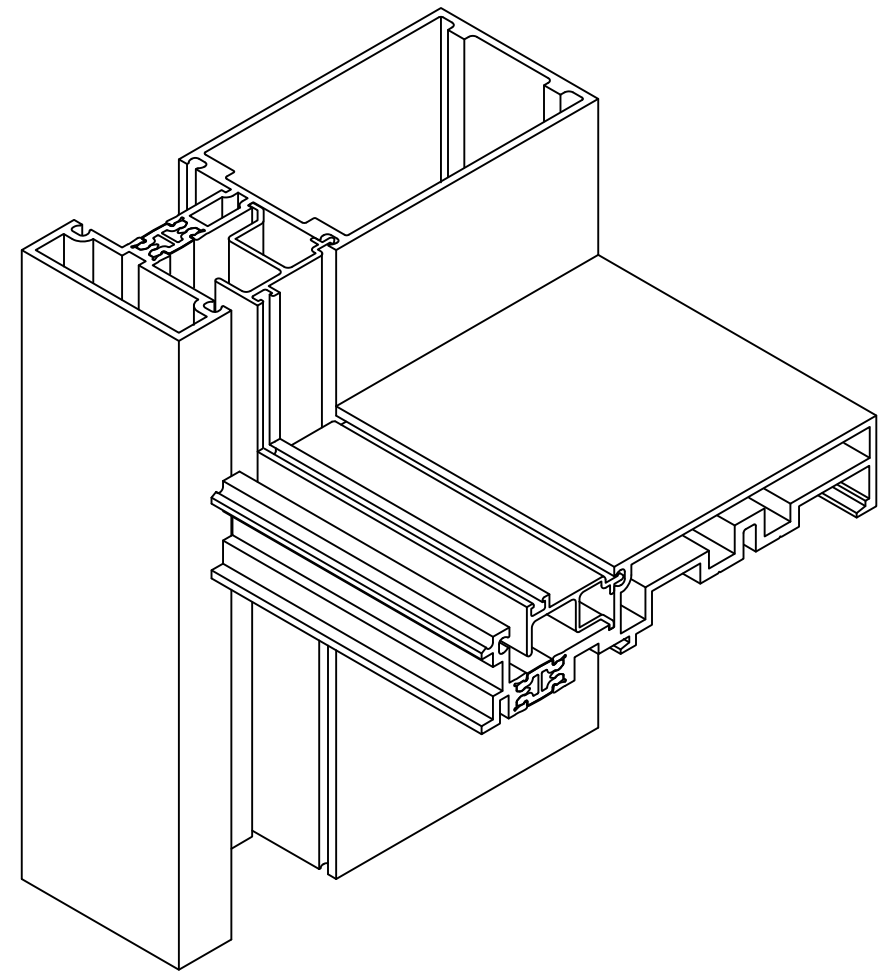
SHALLOW POCKET ADAPTER 164-031




JUST PRIOR TO INSTALLING ADAPTERS SEAL FACE OF INTERIOR HORIZONTAL TO VERTICAL JOINT

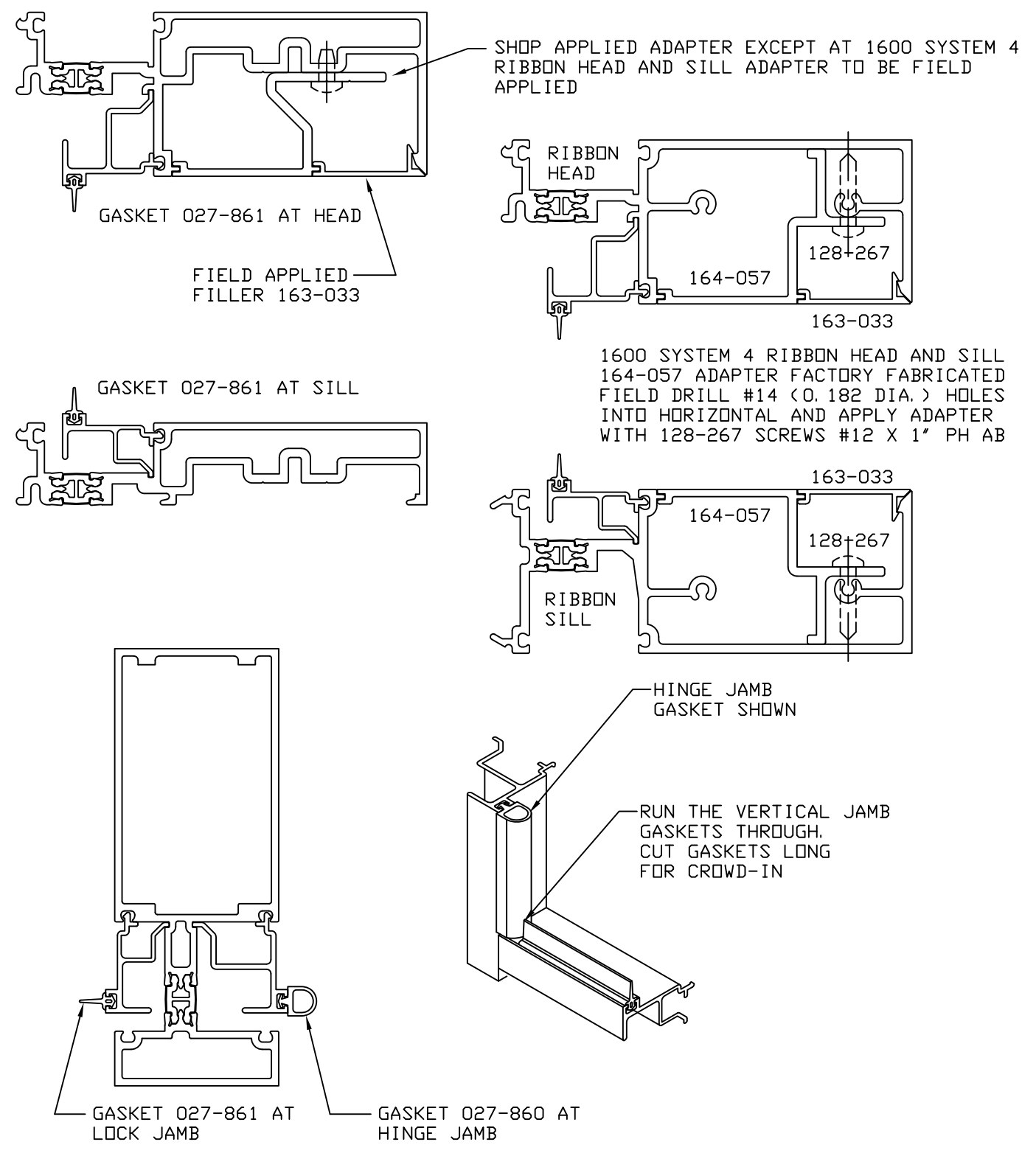


JUST PRIOR TO INSTALLING ADAPTERS SEAL FACE OF INTERIOR HORIZONTAL TO VERTICAL JOINT

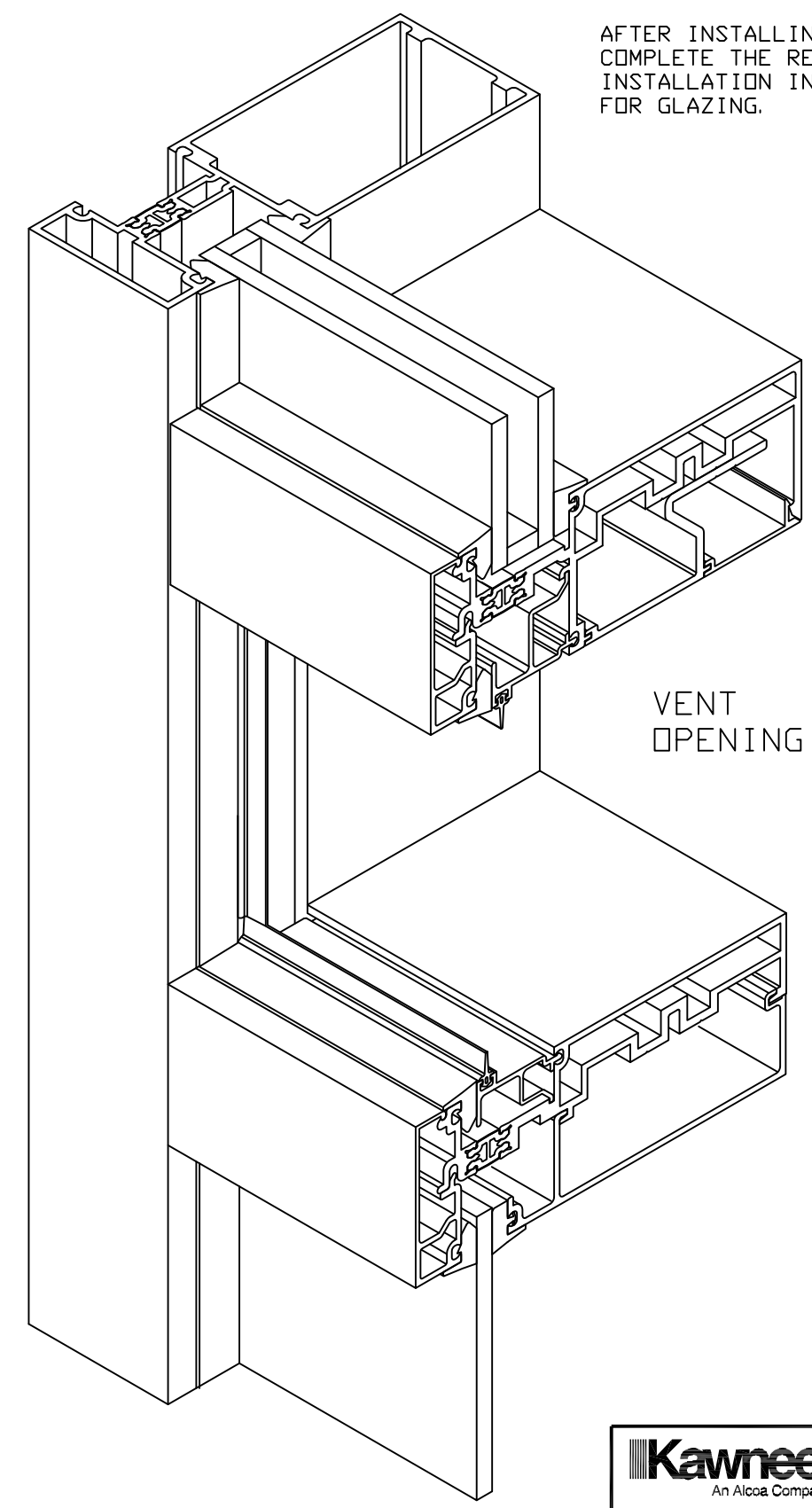


 An Alcoa Company 1600 GLASSVENT SYSTEM <sup>4</sup> INSTALLATION INSTRUCTIONS CASEMENTS	PART NUMBER 164-979 1 OF 5
	95468-24 10/11/02
	DRAWING:
	ORDER:
SHT:	

INSTALL PERIMETER VENT GASKETS



GLAZE GLASS AND INSTALL HORIZONTAL COVERS



AFTER INSTALLING VENT POCKET ADAPTERS COMPLETE THE REMAINING STEPS WITH THE INSTALLATION INSTRUCTIONS 164-970 OR 164-971 FOR GLAZING.

<p>An Alcoa Company</p> <p>1600 GLASSVENT SYSTEM<sup>4</sup> INSTALLATION INSTRUCTIONS CASEMENTS</p> <p>PART NUMBER 164-979 2 OF 5</p>	95468-24 10/11/02
	DRAWING:
	ORDER:
	SHT:

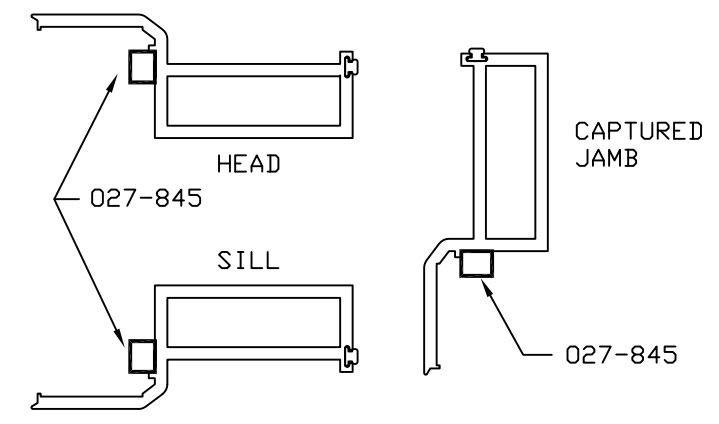
### STRUCTURAL VENT GLAZING

STRUCTURAL SEAL - SEALANT TO BE STRUCTURAL TYPE SILICONE AS RECOMMENDED BY THE SEALANT MANUFACTURER. SEALANT SHALL NOT BE APPLIED UNTIL ALL REQUIRED COMPATIBILITY AND ADHESION TESTING IS COMPLETE. SEALANT MUST BE APPLIED PER THE SEALANT MANUFACTURER'S RECOMMENDATIONS.

EXTERIOR GLASS WEATHER SEAL - SEALANT TO BE A TYPE AS RECOMMENDED BY THE MANUFACTURER OF THE STRUCTURAL SEALANT BEING USED FOR THIS PROJECT. SEALANT MUST BE APPLIED PER THE SEALANT MANUFACTURER'S RECOMMENDATIONS.

### GLASS IS TO HAVE SEAMED EDGES

CLEAN VENT GLAZING AND APPLY 027-845 2 SIDED ADHESIVE TAPE AS SHOWN. TEMPORARILY LEAVE THE PROTECTIVE LINER ON



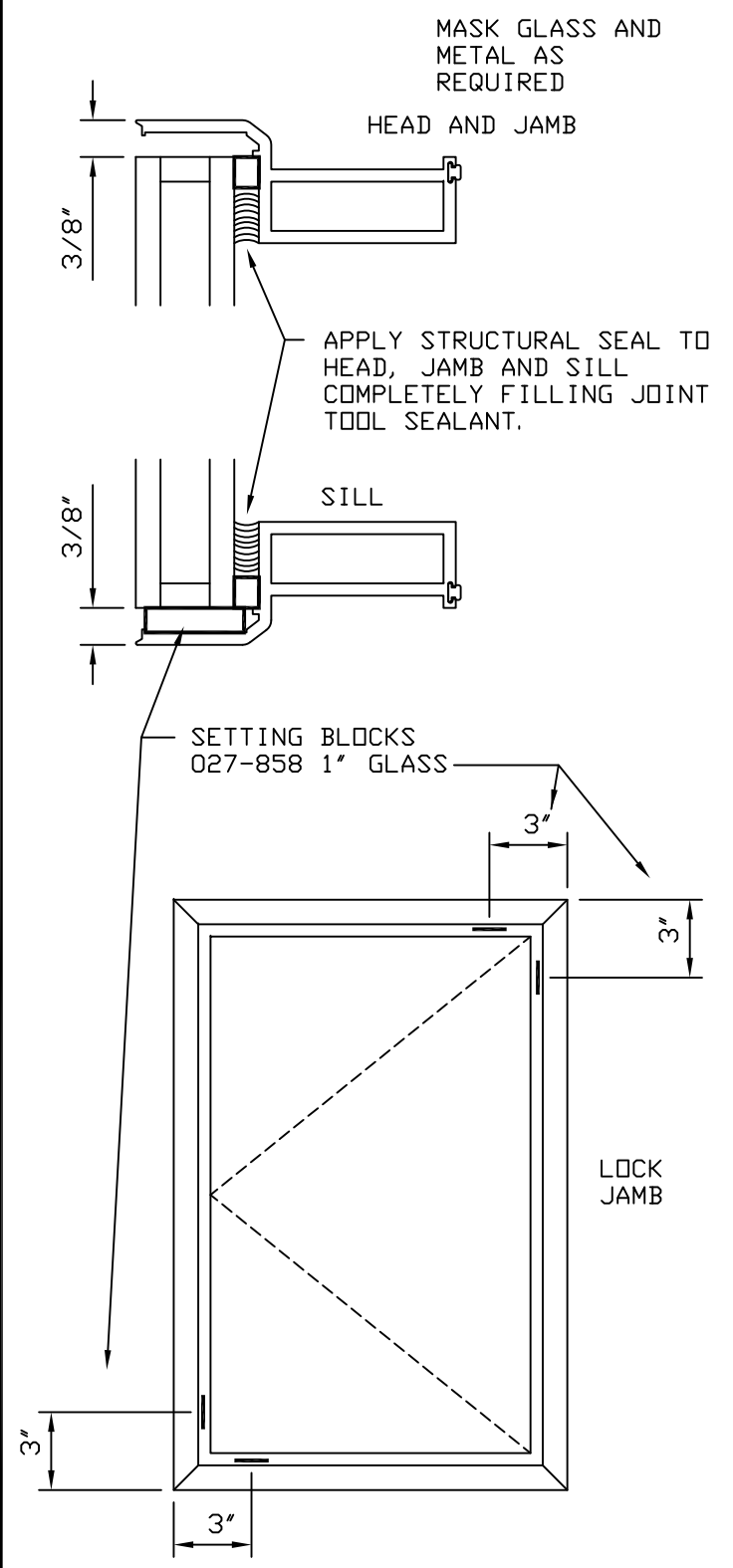
CLEAN THE GLASS PER THE SEALANT MANUFACTURER'S RECOMMENDATIONS.

PLACE THE GLASS ONTO A BENCH USING PROPER BLOCKING METHODS.

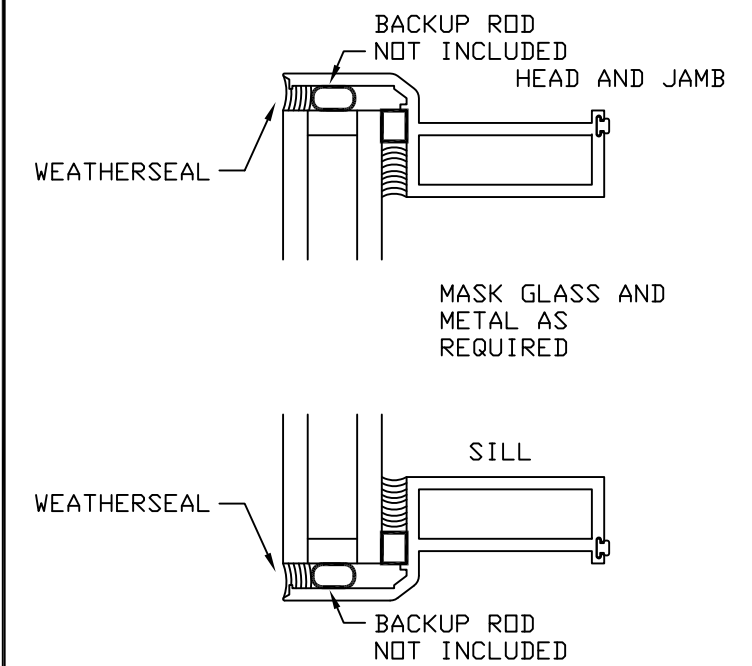
PLACE THE VENT ON THE GLASS AND SHIFT AGAINST SETTING BLOCKS AND TO THE SPECIFIED EDGE OVERLAP.

REMOVE THE TAPE PROTECTIVE LINER AFTER CENTERING THE GLASS.

### APPLY STRUCTURAL SEAL



### APPLY WEATHERSEAL



ALLOW THE SEALANT TO CURE PER THE SEALANT MANUFACTURER'S RECOMMENDATIONS.

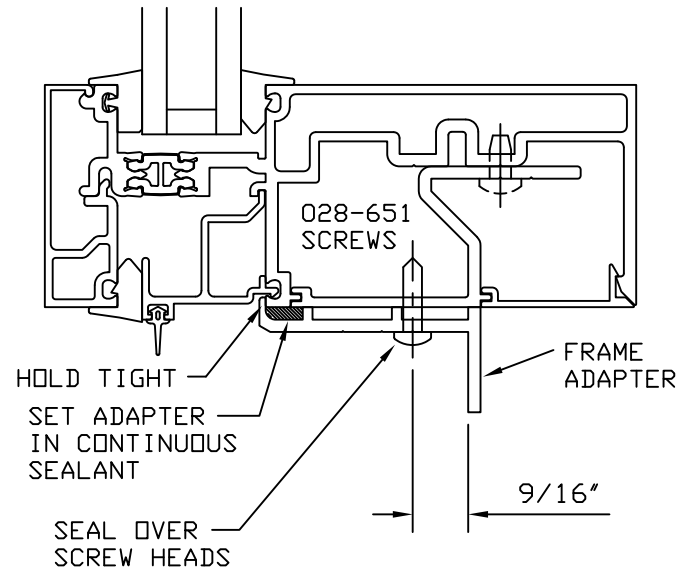
<p>An Alcoa Company</p> <p>1600 GLASSVENT SYSTEM<sup>4</sup> INSTALLATION INSTRUCTIONS CASEMENTS</p> <p>PART NUMBER 164-979 3 OF 5</p>	95468-24 10/11/02
	DRAWING:
	ORDER:
	SHT:

### INSTALL VENT FRAME ADAPTERS

VENT FRAME ADAPTERS ARE HANDED. SEE APPROVED SHOP DRAWINGS FOR LOCATION.

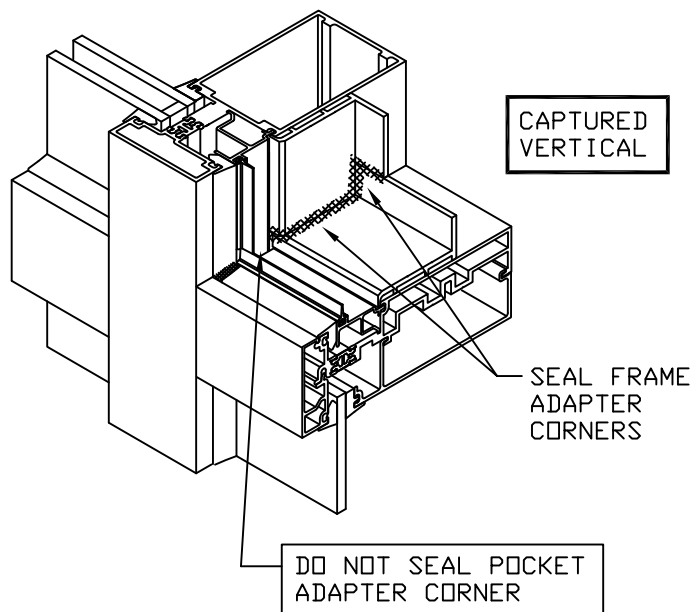
HOLD ADAPTERS TIGHT AGAINST MULLION AS SHOWN. USING HOLES IN ADAPTERS MATCH DRILL MULLIONS WITH #26 DRILL 0.147 DIA. AND APPLY WITH 028-651 SCREWS #10 X 3/4 PAN HEAD TYPE AB.

AT THIS TIME USE ONLY HOLES FOR ADAPTER ATTACHMENT.



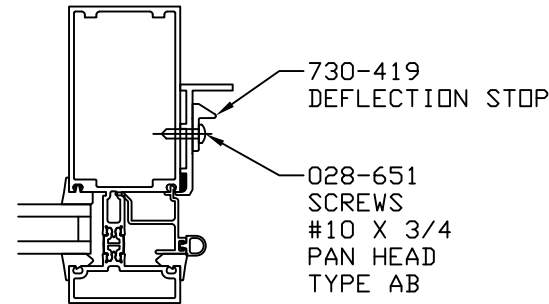
APPLY ADAPTERS TO ALL 4 SIDES AND SEAL CORNERS AS SHOWN.

DO NOT SEAL POCKET ADAPTER CORNERS. THESE CORNERS ARE FOR WATER DRAINAGE.



### INSTALL DEFLECTION STOP

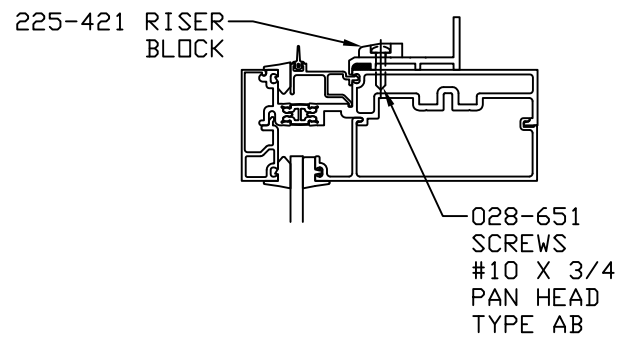
AT VERTICAL HINGE JAMB



APPLY DEFLECTION STOP. USING HOLES IN ADAPTERS DRILL HORIZONTAL WITH #26 DRILL 0.147 DIA. AND APPLY WITH 028-651 SCREWS. ADJUST STOP ALL THE WAY TO THE EXTERIOR AND SNUG TIGHTEN SCREWS. ADJUSTMENT WILL BE REQUIRED AFTER THE VENT IS INSTALLED.

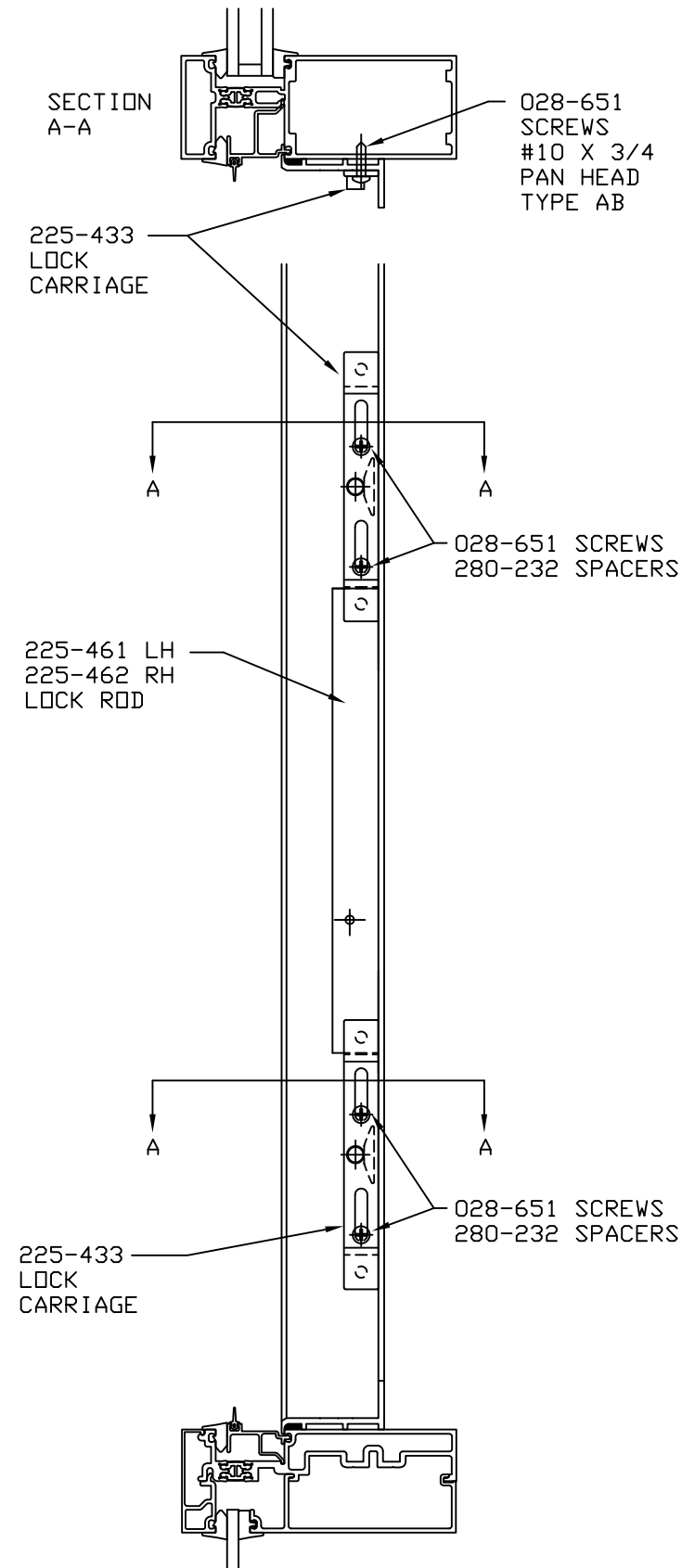
### INSTALL RISER BLOCK

USING HOLES IN ADAPTERS DRILL HORIZONTAL WITH #26 DRILL 0.147 DIA AND APPLY BLOCK USING 028-651 SCREWS. SET SCREWS IN SEALANT.

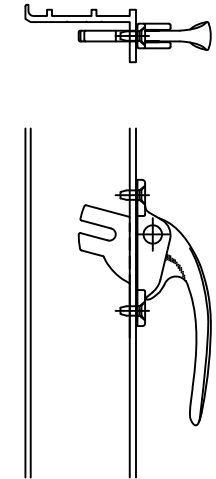


### INSTALL MULTI-POINT LOCK CARRIAGE AND LOCK ROD

USING HOLES IN ADAPTERS DRILL HORIZONTAL WITH #26 DRILL 0.147 DIA AND APPLY LOCK CARRIAGE AND ROD USING 028-651 SCREWS AND 280-232 SPACERS. SET SCREWS IN SEALANT.

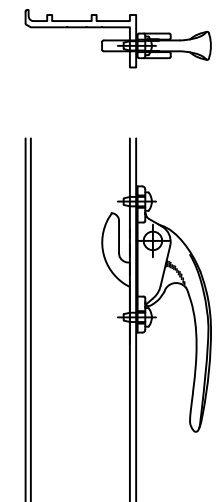


### INSTALL MULTI-POINT LOCK



### INSTALL HOOK LOCK

AT SINGLE LOCK POINT APPLICATIONS



AFTER VENTS ARE INSTALLED ADJUST VENT KEEPERS AS REQUIRED

**Kawneer**  
An Alcoa Company

1600 GLASSVENT SYSTEM<sup>4</sup>  
INSTALLATION INSTRUCTIONS  
CASEMENTS

PART NUMBER  
164-979 4 OF 5

95468-24  
10/11/02

DRAWING:

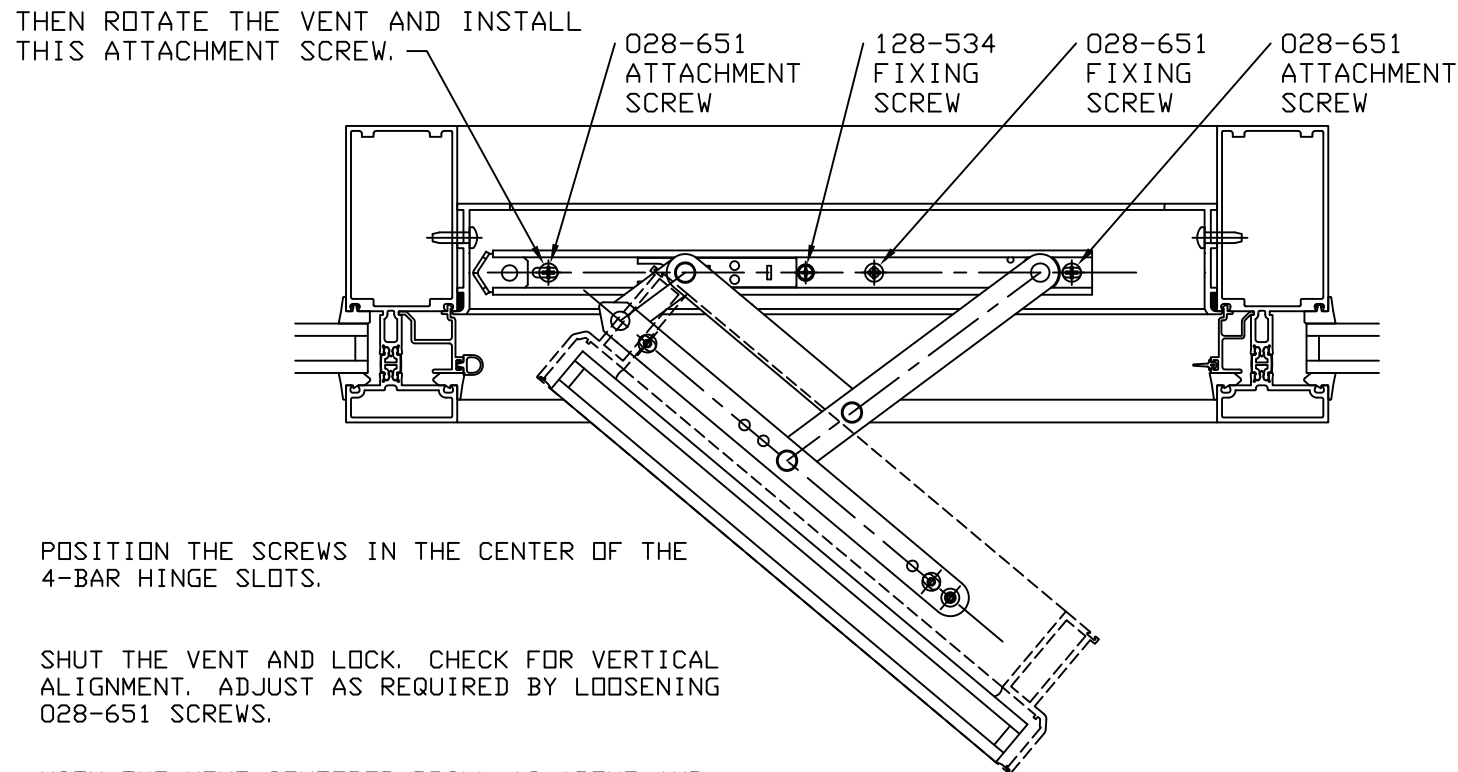
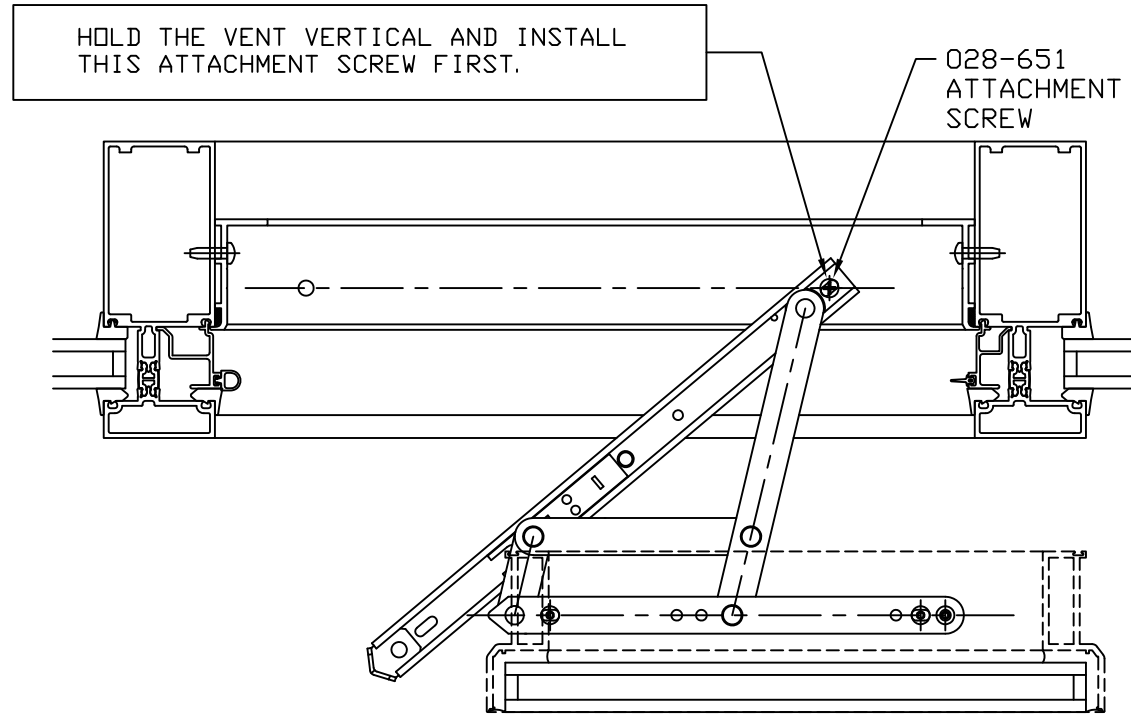
ORDER:

SHT:

# INSTALL GLAZED VENT

BEFORE INSTALLING VENT DRILL HOLES IN THE MULLIONS USING THE REMAINING ADAPTER HOLES AS PILOTS. USE A #26 DRILL 0.147 DIA.

INSTALL THE VENT BY SCREW APPLYING THE 4-BAR HINGES TO THE JAMBS USING 028-651 SCREWS #10 X 3/4 PAN HEAD TYPE AB. APPLY SEALANT TO THE SCREW HOLES BEFORE INSTALLING ARM AND SCREWS.



POSITION THE SCREWS IN THE CENTER OF THE 4-BAR HINGE SLOTS.

SHUT THE VENT AND LOCK. CHECK FOR VERTICAL ALIGNMENT. ADJUST AS REQUIRED BY LOOSENING 028-651 SCREWS.

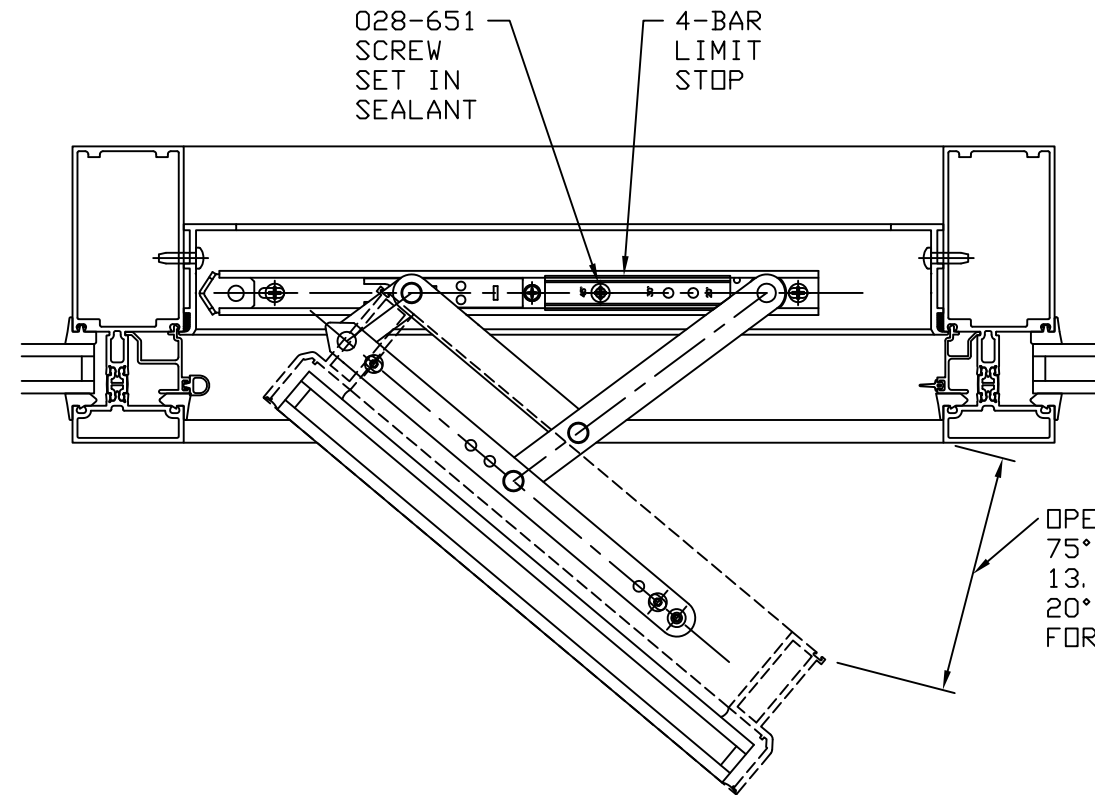
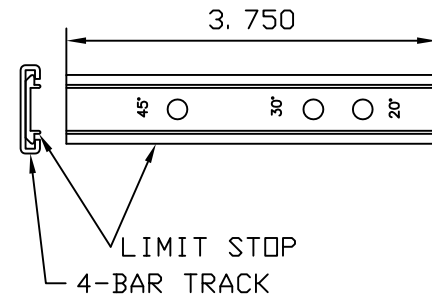
WITH THE VENT CENTERED DRILL AS ABOVE AND INSTALL 028-651 & 128-534 FIXING SCREWS. SET THE SCREW IN SEALANT.

# INSTALL 4-BAR LIMIT STOPS ON DLO'S 20.500" AND OVER

THE LIMIT STOP IS FURNISHED 3-3/4" LONG. ADJUST AS REQUIRED TO LIMIT THE OPENING TO APPROXIMATELY 20°, 30° OR 45°.

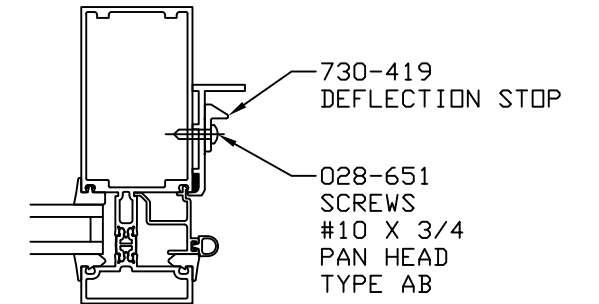
DRILL 0.147 DIA. HOLES (#26 DRILL) AND INSTALL WITH 028-651 SCREWS, #10 X 3/4 PAN HEAD TYPE AB

THE 4-BAR HINGE HAS A PRE-PUNCHED HOLE FOR THE 028-651 SCREWS.



OPENING TO BE APPROXIMATELY 75° MAXIMUM FOR DLO'S OF 13.250 TO 20.499 AND 20°, 30° OR 45° MAXIMUM FOR DLO'S OF 20.500 TO 36.000.

# ADJUST DEFLECTION STOP



<p>An Alcoa Company</p> <p>1600 GLASSVENT SYSTEM<sup>4</sup> INSTALLATION INSTRUCTIONS CASEMENTS</p> <p>PART NUMBER 164-979 5 OF 5</p>	95468-24 10/11/12
	DRAWING:
	ORDER:
	SHT: