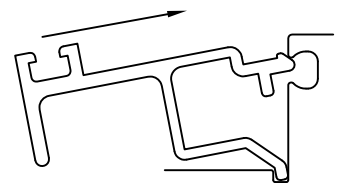


INSTALL VENT POCKET ADAPTERS

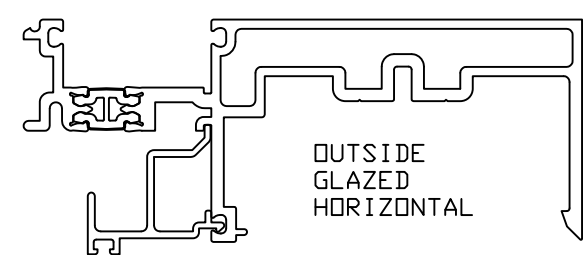
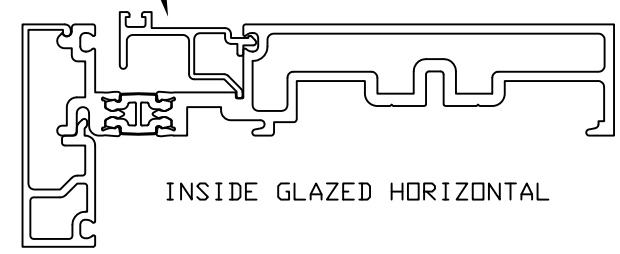
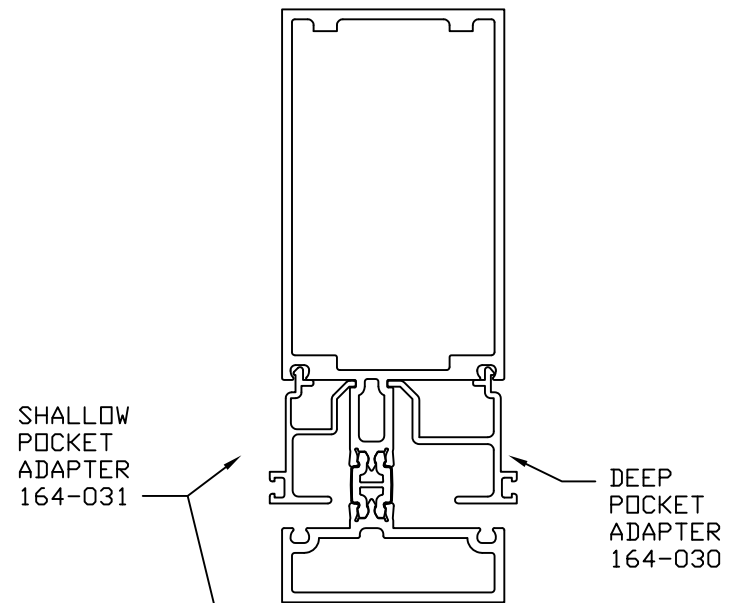
USE THESE INSTRUCTIONS IN CONJUNCTION WITH INSTALLATION INSTRUCTIONS 164-970 FOR SYSTEM⁴
 COMPLETE STEPS 1 THROUGH 7 BEFORE STARTING THE FOLLOWING INSTRUCTIONS.
 164-971 FOR SYSTEM⁴ RIBBON
 COMPLETE STEPS 1 THROUGH 6 BEFORE STARTING THE FOLLOWING INSTRUCTIONS.

SQUARENESS AND DAYLITE OPENING DIMENSIONS MUST BE HELD TO WITHIN 1/16" OF NOMINAL FOR THE VENTS TO FIT AND OPERATE PROPERLY. DIAGONAL DIMENSIONS ACROSS OPENING MUST NOT VARY MORE THAN 1/16".

INSTALL VERTICAL ADAPTERS FIRST

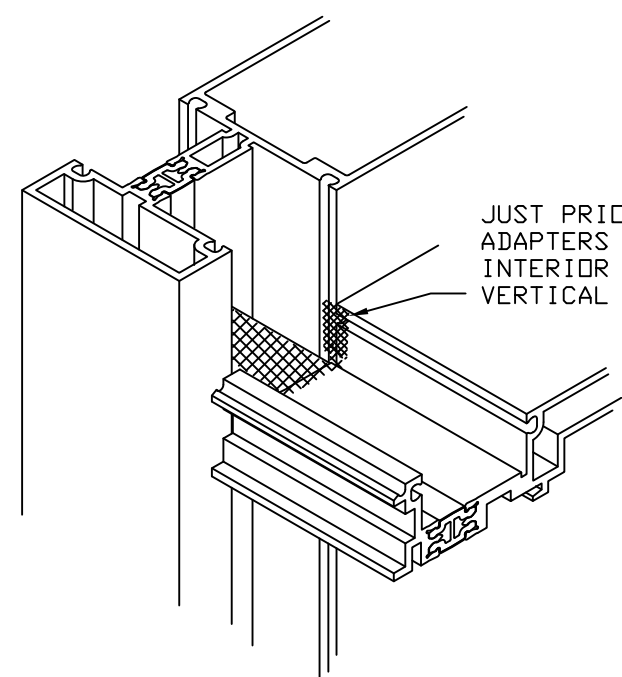
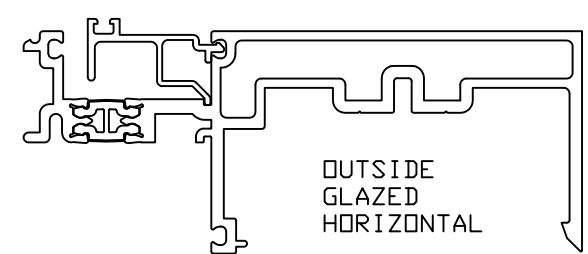


ALL SURFACES AND GROOVES MUST BE CLEANED PER THE SEALANT MANUFACTURER'S RECOMMENDATIONS.

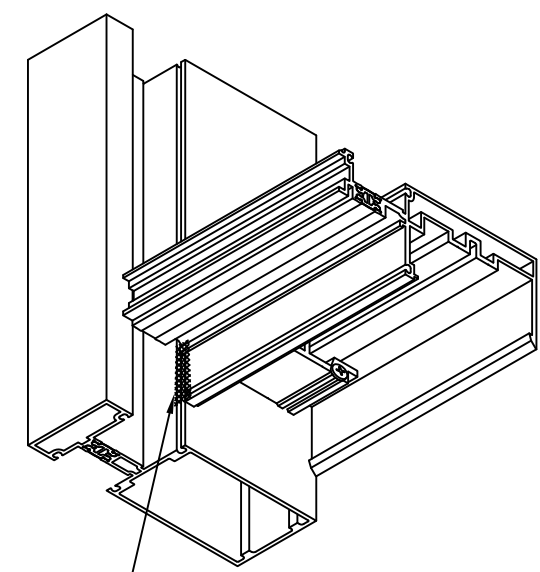


DEEP POCKET ADAPTER 164-030

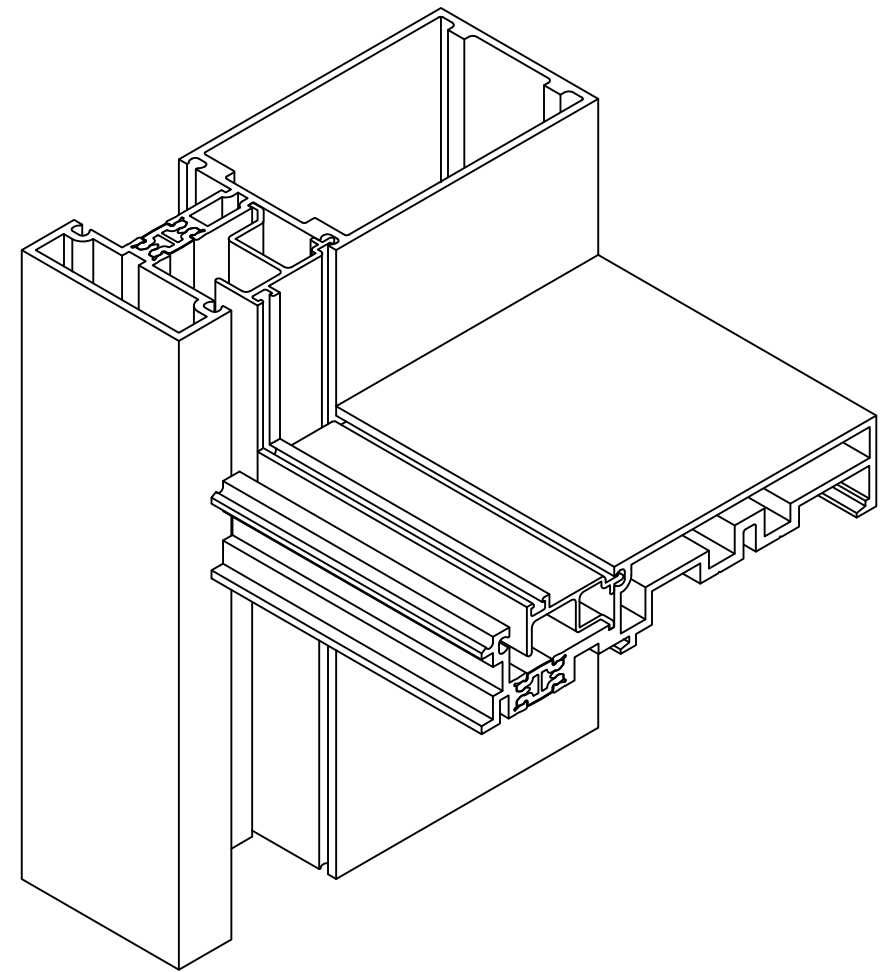
SHALLOW POCKET ADAPTER 164-031



JUST PRIOR TO INSTALLING ADAPTERS SEAL FACE OF INTERIOR HORIZONTAL TO VERTICAL JOINT

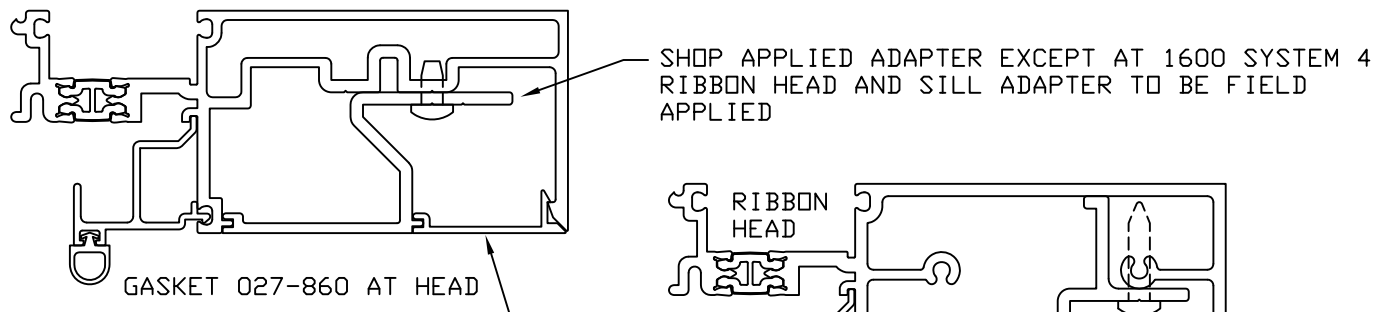


JUST PRIOR TO INSTALLING ADAPTERS SEAL FACE OF INTERIOR HORIZONTAL TO VERTICAL JOINT

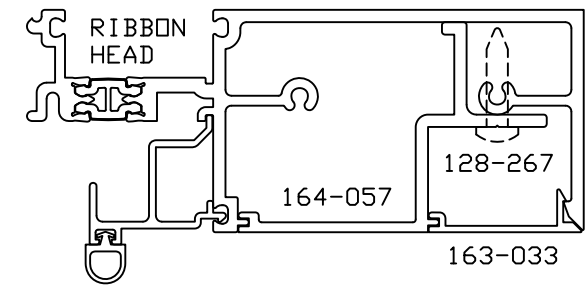


<p>1600 GLASSVENT SYSTEM⁴ INSTALLATION INSTRUCTIONS PROJECT OUT</p>	PART NUMBER 164-978 1 OF 5
	95468-24 10/11/02
	DRAWING:
	ORDER:
SHT:	1 OF 5

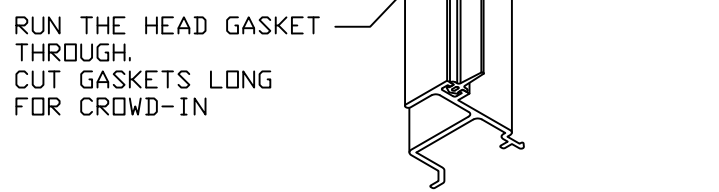
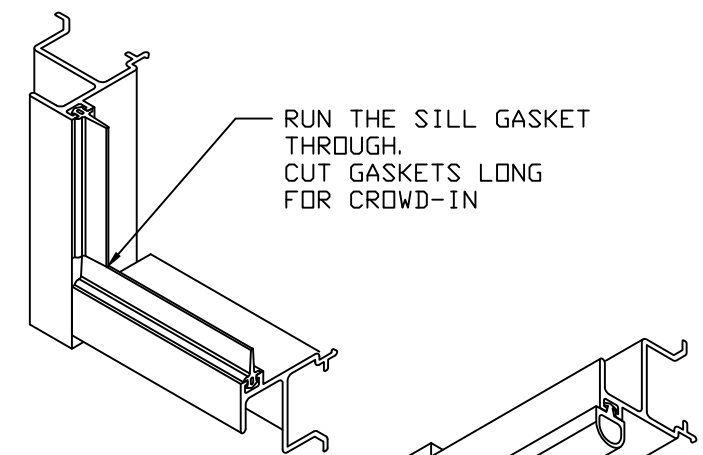
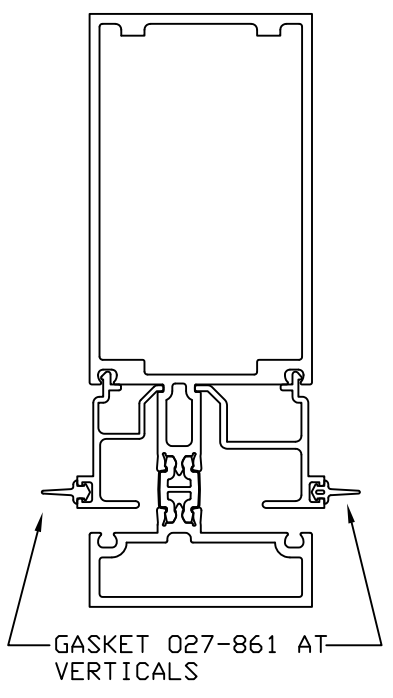
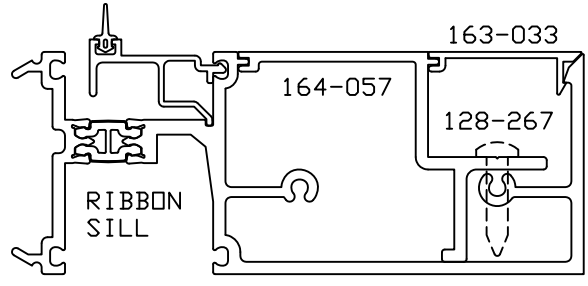
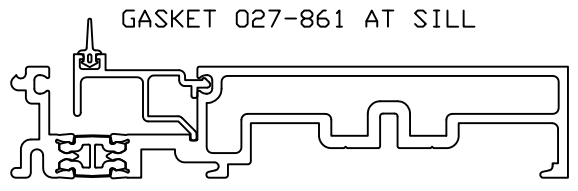
INSTALL PERIMETER VENT GASKETS



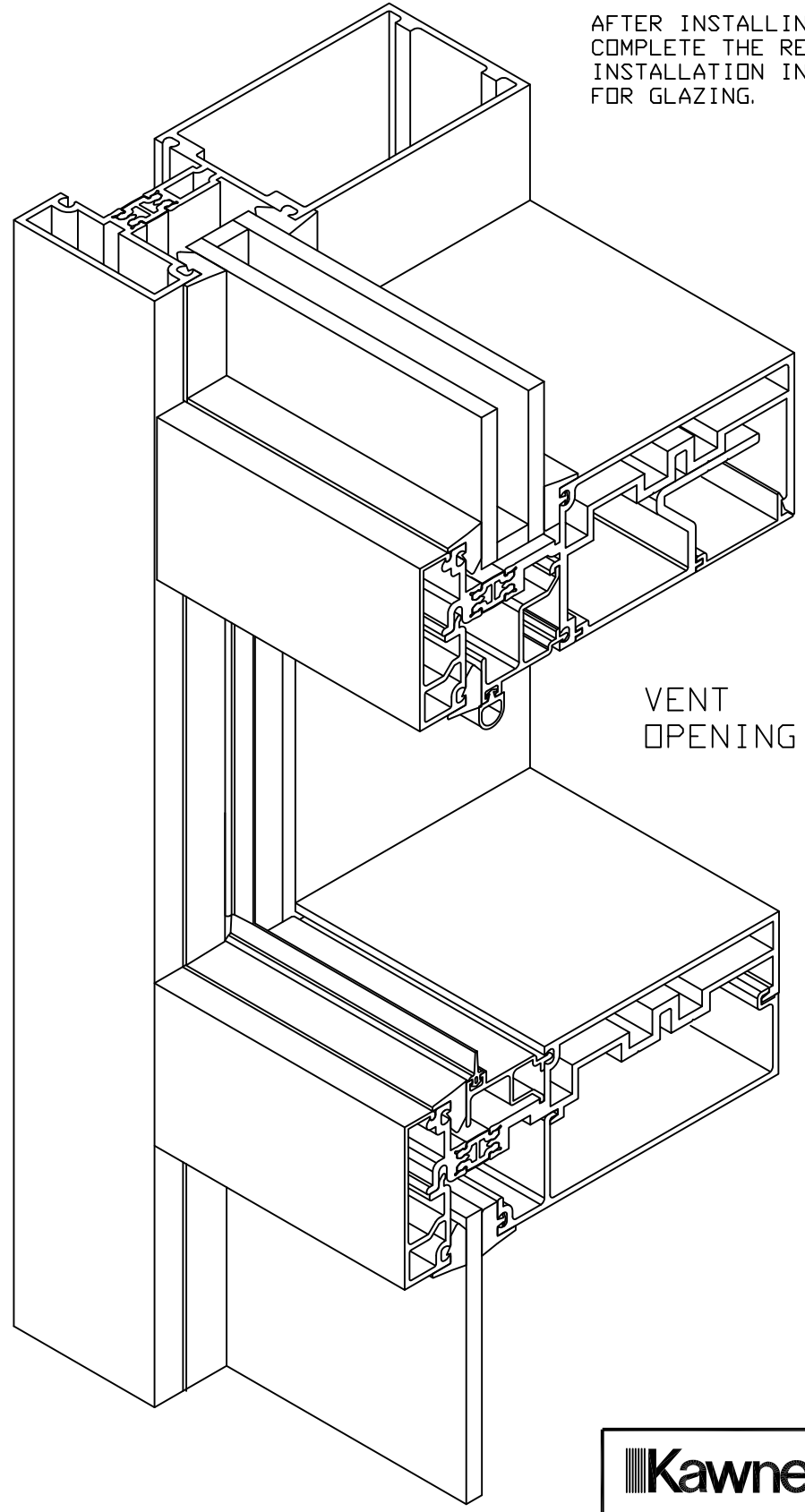
FIELD APPLIED FILLER 163-033



1600 SYSTEM 4 RIBBON HEAD AND SILL 164-057 ADAPTER FACTORY FABRICATED FIELD DRILL #14 (.182 DIA) HOLES INTO HORIZONTAL AND APPLY ADAPTER WITH 128-267 SCREWS #12 X 1 PH AB



GLAZE GLASS AND INSTALL HORIZONTAL COVERS



AFTER INSTALLING VENT POCKET ADAPTERS COMPLETE THE REMAINING STEPS WITH THE INSTALLATION INSTRUCTIONS 164-970 OR 164-971 FOR GLAZING.

<p>1600 GLASSVENT SYSTEM⁴ INSTALLATION INSTRUCTIONS PROJECT OUT</p>	<p>PART NUMBER 164-978 2 OF 5</p>	<p>95468-24 10/11/02</p>
		<p>DRAWING:</p>
		<p>ORDER:</p>
		<p>SHT:</p>

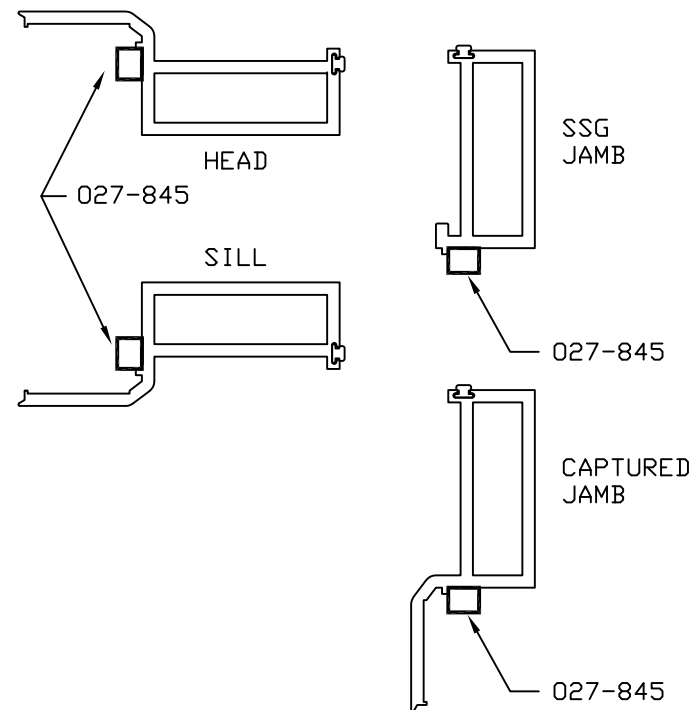
STRUCTURAL VENT GLAZING

STRUCTURAL SEAL - SEALANT TO BE STRUCTURAL TYPE SILICONE AS RECOMMENDED BY THE SEALANT MANUFACTURER. SEALANT SHALL NOT BE APPLIED UNTIL ALL REQUIRED COMPATIBILITY AND ADHESION TESTING IS COMPLETE. SEALANT MUST BE APPLIED PER THE SEALANT MANUFACTURER'S RECOMMENDATIONS.

EXTERIOR GLASS WEATHER SEAL - SEALANT TO BE A TYPE AS RECOMMENDED BY THE MANUFACTURER OF THE STRUCTURAL SEALANT BEING USED FOR THIS PROJECT. SEALANT MUST BE APPLIED PER THE SEALANT MANUFACTURER'S RECOMMENDATIONS.

GLASS IS TO HAVE SEAMED EDGES

CLEAN VENT GLAZING AND APPLY 027-845 2 SIDED ADHESIVE TAPE AS SHOWN. TEMPORARILY LEAVE THE PROTECTIVE LINER ON



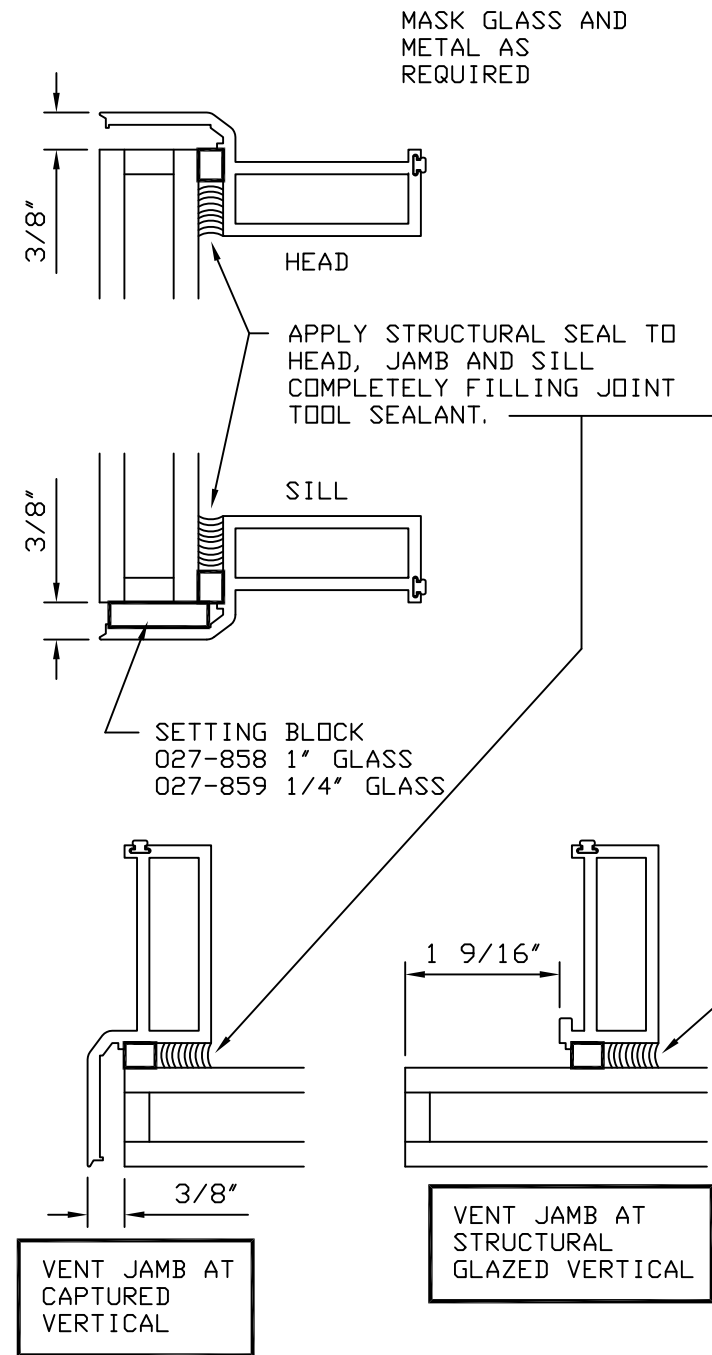
CLEAN THE GLASS PER THE SEALANT MANUFACTURER'S RECOMMENDATIONS.

PLACE THE GLASS ONTO A BENCH USING PROPER BLOCKING METHODS.

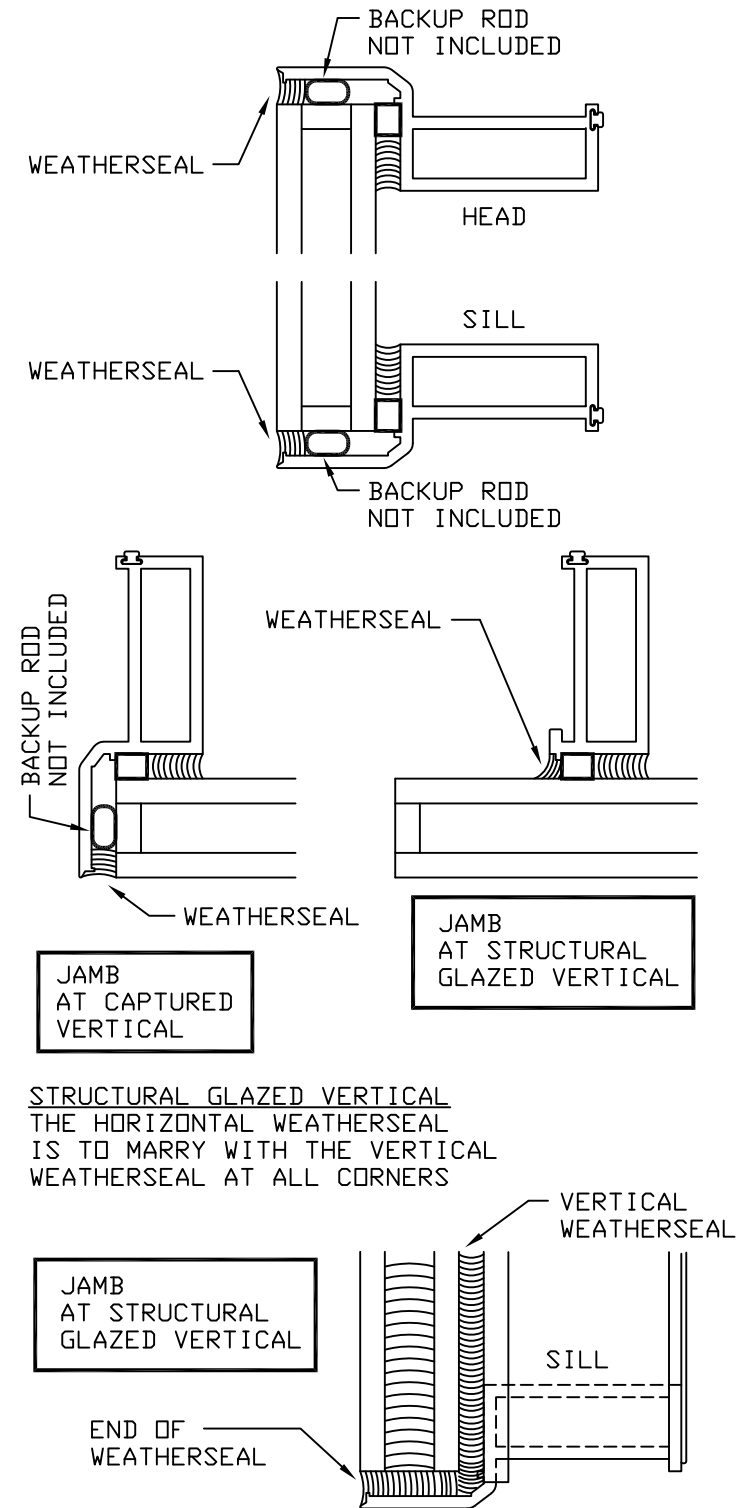
PLACE THE VENT ON THE GLASS AND SHIFT AGAINST SETTING BLOCKS AND TO THE SPECIFIED EDGE OVERLAP.

REMOVE THE TAPE PROTECTIVE LINER AFTER CENTERING THE GLASS.

APPLY STRUCTURAL SEAL



APPLY WEATHERSEAL



ALLOW THE SEALANT TO CURE PER THE SEALANT MANUFACTURER'S RECOMMENDATIONS.

Kawneer

1600 GLASSVENT SYSTEM⁴
INSTALLATION INSTRUCTIONS
PROJECT OUT

PART NUMBER
164-978 3 OF 5

95468-24
10/11/02

DRAWING:

ORDER:

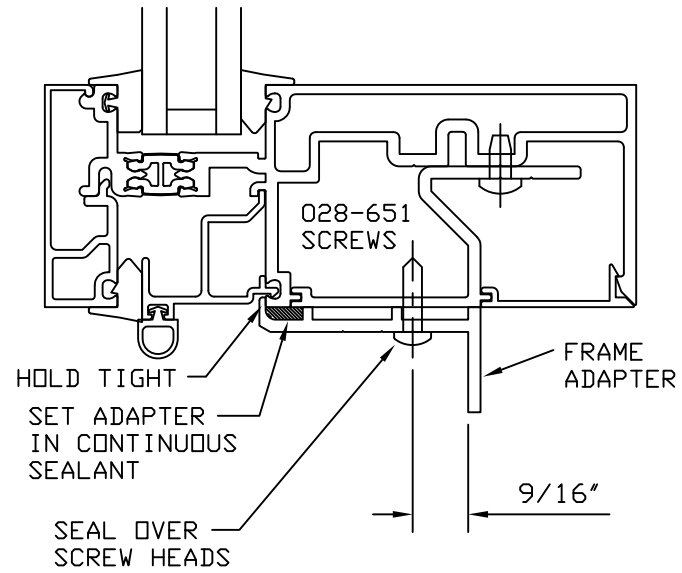
SHT:

INSTALL VENT FRAME ADAPTERS

VENT FRAME ADAPTERS ARE HANDED. SEE APPROVED SHOP DRAWINGS FOR LOCATION.

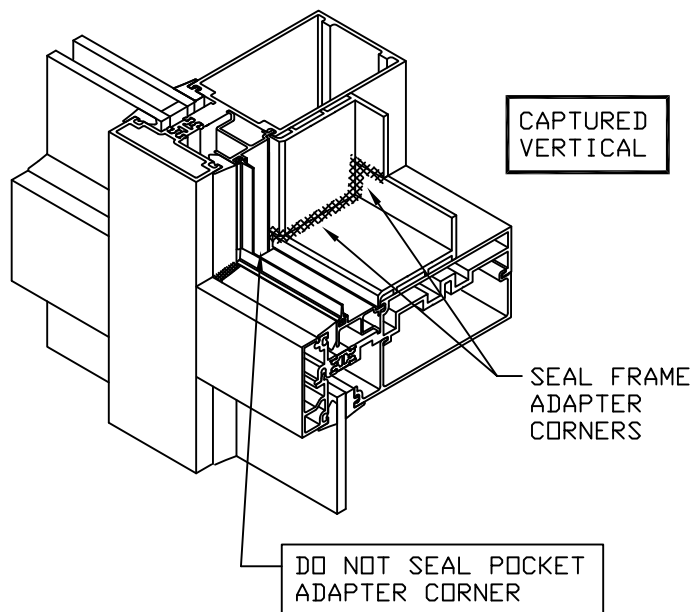
HOLD ADAPTERS TIGHT AGAINST MULLION AS SHOWN. USING HOLES IN ADAPTERS MATCH DRILL MULLIONS WITH #26 DRILL 0.147 DIA. AND APPLY WITH 028-651 SCREWS #10 X 3/4 PAN HEAD TYPE AB.

AT THIS TIME USE ONLY HOLES FOR ADAPTER ATTACHMENT.



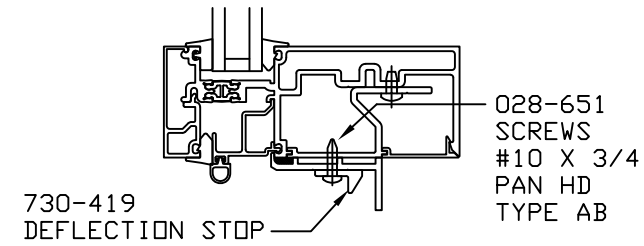
APPLY ADAPTERS TO ALL 4 SIDES AND SEAL CORNERS AS SHOWN.

DO NOT SEAL POCKET ADAPTER CORNERS.
THESE CORNERS ARE FOR WATER DRAINAGE.



INSTALL VENT FRAME ADAPTERS

INSTALL DEFLECTION STOP

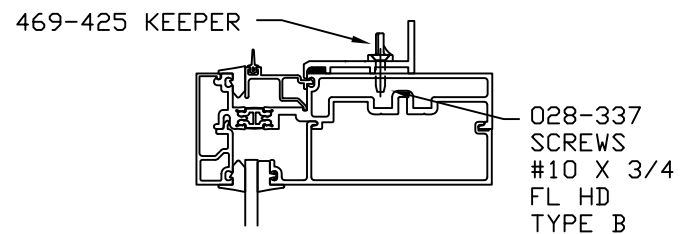


APPLY DEFLECTION STOP. USING HOLES IN ADAPTERS DRILL HORIZONTAL WITH #26 DRILL 0.147 DIA. AND APPLY WITH 028-651 SCREWS. ADJUST STOP ALL THE WAY TO THE EXTERIOR AND SNUG TIGHTEN SCREWS. ADJUSTMENT WILL BE REQUIRED AFTER THE VENT IS INSTALLED.

INSTALL CONCEALED LOCK KEEPER

(IF CONCEALED LOCKS ARE USED)

USING HOLES IN ADAPTERS DRILL HORIZONTAL WITH #26 DRILL 0.147 DIA. AND APPLY KEEPER USING 028-337 SCREWS. SET SCREWS IN SEALANT.

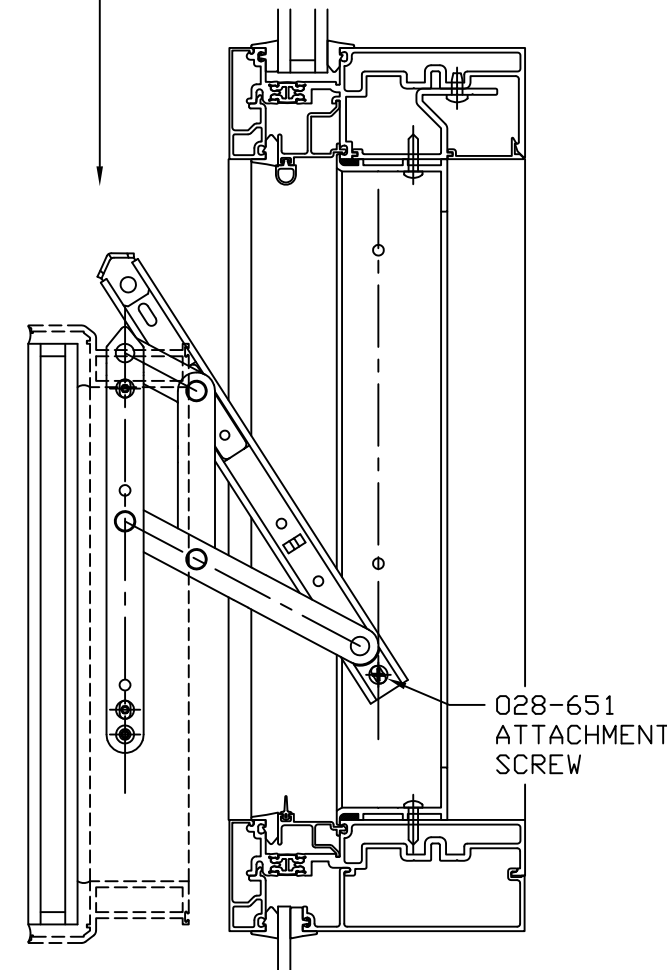


INSTALL GLAZED VENT

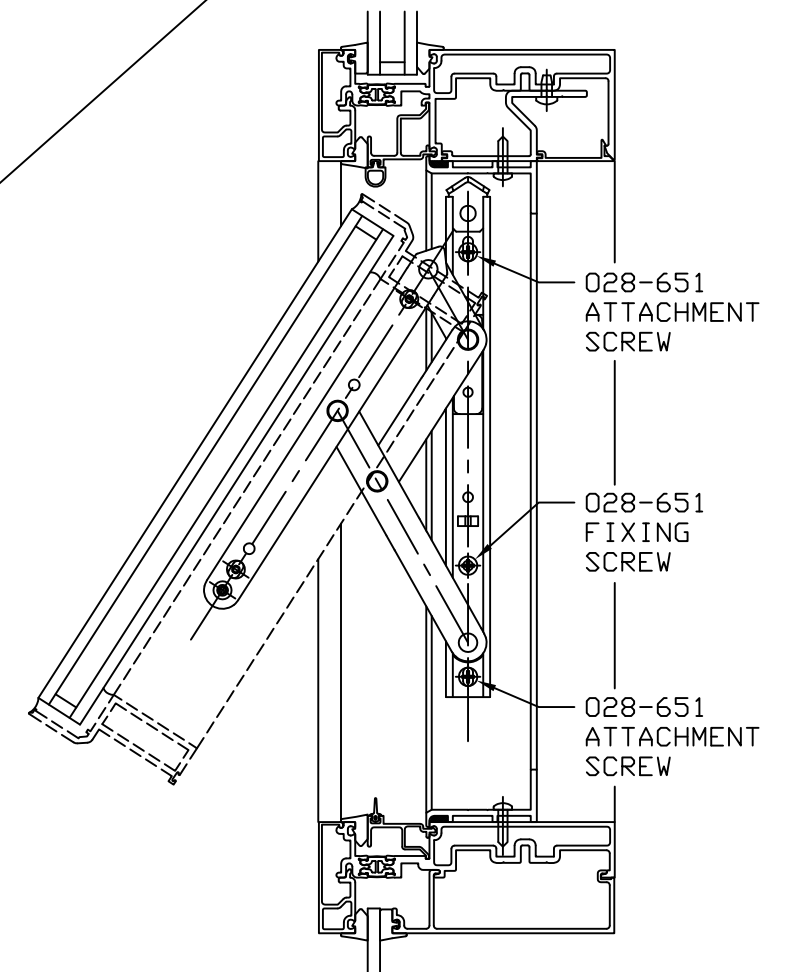
BEFORE INSTALLING VENT DRILL HOLES IN THE MULLIONS USING THE REMAINING ADAPTER HOLES AS PILOTS. USE A #26 DRILL 0.147 DIA.

INSTALL THE VENT BY SCREW APPLYING THE 4-BAR HINGES TO THE JAMBS USING 028-651 SCREWS #10 X 3/4 PAN HEAD TYPE AB. APPLY SEALANT TO THE SCREW HOLES BEFORE INSTALLING 4-BAR HINGE AND SCREWS.

HOLD THE VENT VERTICAL AND INSTALL THE LOWER ATTACHMENT SCREW FIRST.



THEN ROTATE THE VENT AND INSTALL THE TOP ATTACHMENT SCREW.



POSITION THE SCREWS IN THE CENTER OF THE 4-BAR HINGE SLOTS.

SHUT THE VENT AND LOCK. CHECK FOR VERTICAL ALIGNMENT. ADJUST AS REQUIRED BY LOOSENING 028-651 SCREWS.

WITH THE VENT CENTERED DRILL AS ABOVE AND INSTALL 028-651 FIXING SCREW. SET THE SCREW IN SEALANT.

	95468-24
	10/11/02
	DRAWING:
	ORDER:
PROJECT OUT	PART NUMBER
	164-978 4 OF 5
	SHT:

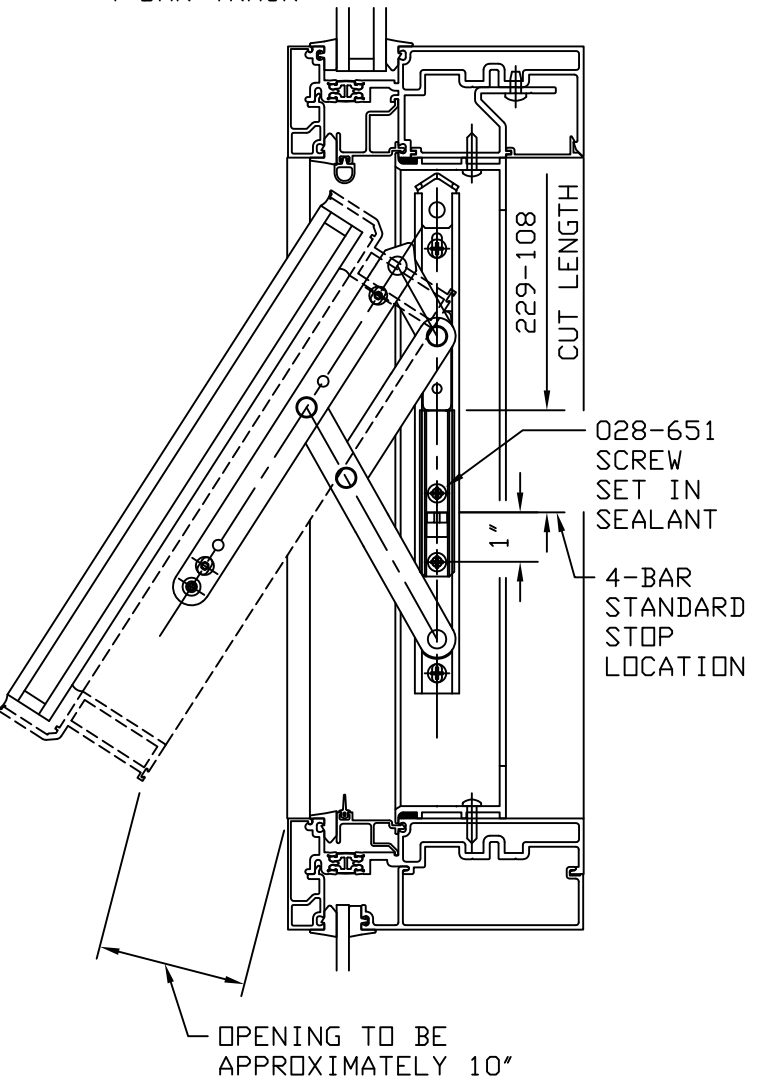
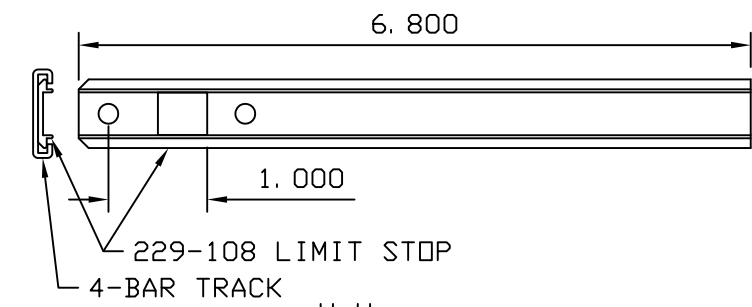
INSTALL 229-108 4-BAR LIMIT STOPS IF USED

IF THE 1600 DLO HEIGHT IS BETWEEN 36" AND 48" THE VENT OPENING IS TO BE LIMITED AS SHOWN BELOW. 229-108 STOPS WILL BE FURNISHED FOR USING WITH THE 4-BAR HINGES.

THE 229-108 STOP IS FURNISHED 6.800" LONG. CUT AS REQUIRED TO LIMIT THE OPENING TO APPROXIMATELY 10".

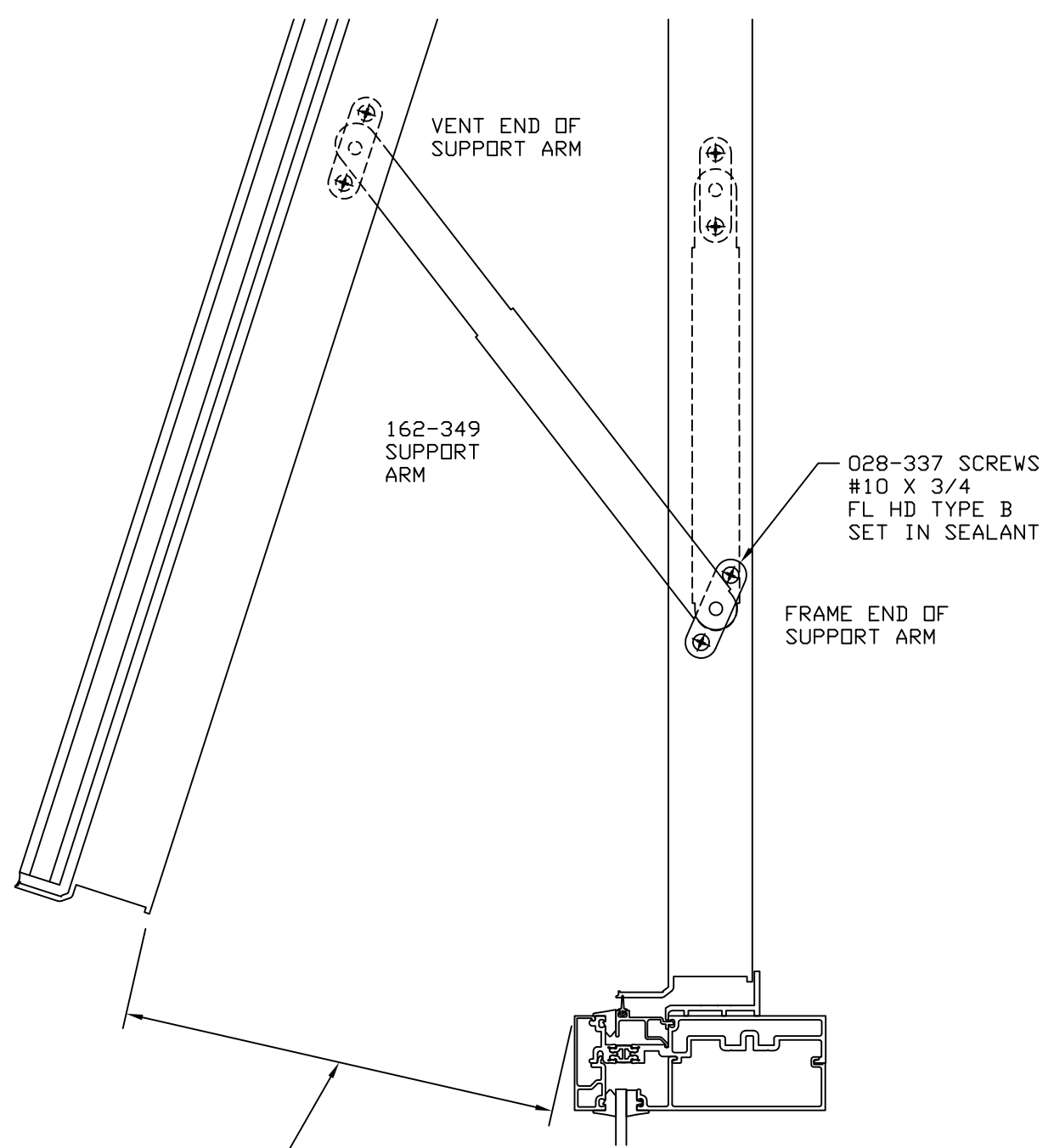
DRILL 0.147 DIA. HOLES (#26 DRILL) AND INSTALL WITH 028-651 SCREWS. #10 X 3/4 PAN HEAD TYPE AB

THE 4-BAR HINGE HAS A PRE-PUNCHED HOLE FOR THE 028-651 SCREWS.



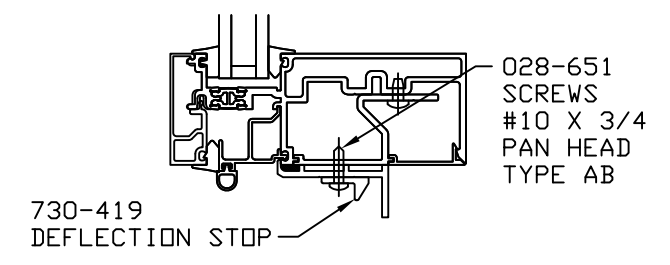
INSTALL 162-349 SUPPORT ARMS IF USED

IF THE 1600 DLO HEIGHT IS OVER 48" IN HEIGHT 162-349 SUPPORT ARMS ARE TO BE USED IN ADDITION TO THE STANDARD 4-BAR HINGES. USING HOLES IN THE ADAPTERS DRILL VERTICAL WITH #26 DRILL 0.147 DIA. APPLY THE FRAME END OF SUPPORT ARM TO VERTICALS USING 028-337 SCREWS. THE VENT END OF SUPPORT ARM WILL BE FACTORY INSTALLED WITH 977-110 SCREWS.



CLEAR OPENING WILL VARY FROM APPROXIMATELY 10-1/2" FOR A 48" HIGH VENT TO APPROXIMATELY 8-1/2" FOR A 78" HIGH VENT

ADJUST DEFLECTION STOP



WITH THE VENT OPEN, LOOSEN SCREWS SO STOP WILL SLIDE. THEN SLIDE DEFLECTION STOP TOWARDS THE INTERIOR. CLOSE VENT AND LOCK. OPEN THE VENT CAREFULLY AND TIGHTEN DEFLECTION STOP SCREW.

<p>1600 GLASSVENT SYSTEM⁴ INSTALLATION INSTRUCTIONS PROJECT OUT</p>	PART NUMBER 164-978 5 OF 5
	DRAWING:
	ORDER:
	SHT: