

GENERAL NOTES

THESE INSTALLATION INSTRUCTIONS ARE A SUPPLEMENT TO THE APPROVED SHOP DRAWINGS. USE IN CONJUNCTION WITH THOSE DRAWINGS.

1 - HANDLING, STORING AND PROTECTING ALUMINUM MATERIAL.

THE FOLLOWING PRECAUTIONS ARE RECOMMENDED TO ASSURE EARLY ACCEPTANCE OF YOUR PRODUCTS AND WORKMANSHIP.

A - HANDLE CAREFULLY - DO NOT DROP FROM THE TRUCK. STACK WITH ADEQUATE SEPARATION SO MATERIAL WILL NOT RUB TOGETHER. STORE OFF THE GROUND. PROTECT AGAINST ELEMENTS AND OTHER CONSTRUCTION TRADES.

B - KEEP MATERIAL AWAY FROM WATER, MUD AND SPRAY - PREVENT CEMENT, PLASTER AND OTHER MATERIALS FROM DAMAGING THE FINISH.

C - PROTECT THE MATERIALS AFTER ERECTION, BY WRAPPING WITH KRAFT PAPER - OR BY ERECTING VISQUEEN/CANVAS SPLATTER SCREENS. CEMENT, PLASTER, TERRAZZO AND OTHER ALKALINE MATERIALS ARE VERY HARMFUL TO THE FINISH AND SHOULD BE REMOVED WITH WATER AND MILD SOAP BEFORE SETTING OCCURS. UNDER NO CIRCUMSTANCES ALLOW THESE MATERIALS TO TO DRY OR PERMANENT STAINING WILL OCCUR.

2 - GENERAL RULES

THE FOLLOWING PRACTICES ARE RECOMMENDED FOR ALL WALL INSTALLATIONS.

A - READ COMPLETE INSTRUCTIONS BEFORE ORDERING GLASS OR FABRICATING MATERIAL.

B - CHECK SHOP DRAWINGS TO BECOME THOROUGHLY FAMILIAR WITH THE JOB.

C - ALL MATERIALS ARE TO BE INSTALLED PLUMB, LEVEL AND TRUE.

D - ALL WORK SHOULD START FROM ESTABLISHED BENCH MARKS AND COLUMN CENTER LINES ESTABLISHED BY THE ARCHITECTURAL DRAWINGS AND THE GENERAL CONTRACTOR.

E - THE SEQUENCE OF ERECTION SHOULD BE COORDINATED WITH THE JOB SUPERINTENDENT SO DELAYS ARE PREVENTED AND RISK OF MATERIAL DAMAGE IS MINIMIZED. IF PRESETTING OF ANCHORAGE IS REQUIRED, COORDINATE WITH GENERAL CONTRACTOR AND SUPERVISE LOCATION.

F - MAKE CERTAIN CONSTRUCTION WHICH WILL RECEIVE YOUR MATERIALS IS ACCORDING TO THE CONTRACT DOCUMENTS. IF NOT, NOTIFY THE GENERAL CONTRACTOR IN WRITING AND RESOLVE DIFFERENCES BEFORE PROCEEDING WITH YOUR WORK.

G - INSULATE ALL ALUMINUM TO BE PLACED DIRECTLY IN CONTACT WITH THE MASONRY OR INCOMPATIBLE MATERIALS WITH A HEAVY COAT OF ZINC CHROMATE OR BITUMINOUS PAINT.

H - FOLLOW KAWNEER INSTALLATION AND GLAZING INSTRUCTIONS.

J - CHECK ALL MATERIAL ON ARRIVAL FOR QUANTITY.

K - BE SURE TO HAVE ALL THE MATERIALS AND TOOLS NEEDED TO BEGIN THE INSTALLATION.

- 1 - APPROVED SHOP DRAWINGS
- 2 - LEVEL AND PLUMB (TRANSIT)
- 3 - FASTENERS AND REQUIRED DRIVERS.
- 4 - PERIMETERS AND ACCESSORIES SUCH AS ANCHORS, FASTENERS, SLEEVES AND/OR SPLICE CAPS.
- 5 - SEALING MATERIALS.
- 6 - GLAZING MATERIALS.

L - FOLLOW SEALANT MANUFACTURER'S RECOMMENDATIONS FOR PROPER SEALANT AND APPLICATION. ALL SEALANTS AND MASTICS MUST BE COMPATIBLE WITH ALL SURFACES INCLUDING OTHER SEALANT SURFACES. WHERE REQUIRED ALL SEALANTS MUST ADHERE TO ALL SURFACES INCLUDING OTHER SEALANT SURFACES.

1600 SYSTEM<sup>4</sup> NOTES

1600 SYSTEM<sup>4</sup> IS AVAILABLE WITH 1" FRAMING MEMBERS WHICH ACCEPT BOTH 1" AND 1/4" INFILLS.

1600 SYSTEM<sup>4</sup> IS DESIGNED AS AN INTERIOR GLAZED SYSTEM. EXTERIOR GLAZING IS A OPTION. SEE EXTERIOR GLAZING STEPS.

NOTE POSITION OF SHALLOW AND DEEP POCKET IS IMPORTANT FOR GLAZING

GLASS BITE IS 7/16" AT VERTICALS AND HORIZONTALS. GASKET SYSTEM IS DESIGNED FOR UNBANDED INSULATING UNITS ONLY. GLASS SIZES MUST BE CALCULATED FROM APPROVED SHOP DRAWINGS.

UNLESS NOTED OTHERWISE, WHERE SEALANT IS CALLED FOR, ON DETAILS IN THE FOLLOWING INSTRUCTIONS, THE SEALANT IS TO BE SILICONE AS RECOMMENDED BY "DOW CORNING", "GENERAL ELECTRIC" OR "TREMCO" ONLY. ANY OTHER SEALANT TYPE USED MUST BE EQUAL AND PASS ALL COMPATIBILITY/ADHESION TESTING. SEALANT MUST BE APPLIED PER THE SEALANT MANUFACTURER'S RECOMMENDATIONS.

AT ALL JOINT SEALS, SEALANT MUST ADHERE TO METAL, GASKETS, THERMAL BREAK AND JOINT PLUG MATERIALS. CLEAN JOINTS WITH ISOPROPYL ALCOHOL.

STEP - 1 CHECK OPENINGS

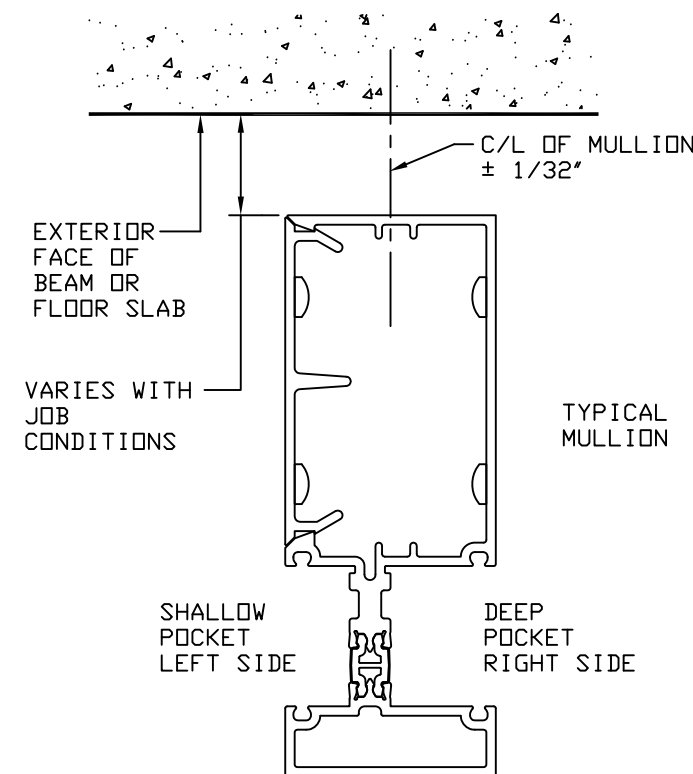
ELEVATIONS AND SLABS MUST BE WITHIN ADJUSTMENT OF ANCHORING SYSTEM. SEE APPROVED SHOP DRAWINGS FOR ALLOWABLE ADJUSTMENT.

ANCHORING SURFACES OF PERIMETER CONSTRUCTION MUST BE LEVEL AND PLUMB WITHIN THE ADJUSTMENT LIMITS OF THE HEAD, SILL AND JAMB. SEE APPROVED SHOP DRAWINGS FOR ALLOWABLE ADJUSTMENT.

STEP - 2 LAY OUT ANCHOR AND MULLION CENTERLINES

USE WALL LINES ESTABLISHED BY THE GENERAL CONTRACTOR. ON EACH FLOOR LAY OUT A REFERENCE LINE TO ESTABLISH IN AND OUT WALL LOCATIONS.

USE COLUMN CENTER LINES ESTABLISHED BY THE GENERAL CONTRACTOR. ON EACH FLOOR LAY OUT MULLION CENTER LINES.



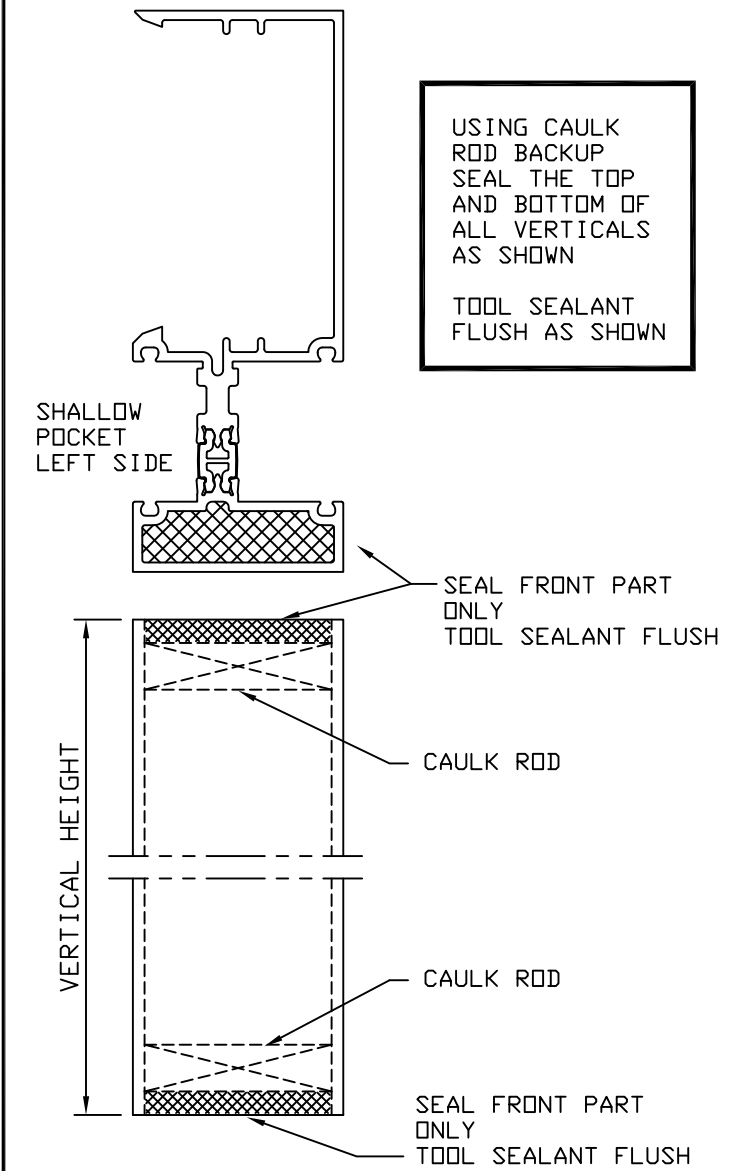
NOTE POSITION OF SHALLOW AND DEEP POCKET IS IMPORTANT FOR GLAZING

SEE APPROVED SHOP DRAWINGS FOR ANCHOR LAYOUTS

STEP - 3 INSTALL PRE-SET ANCHORS IF APPLICABLE

USING LOCATION LINES PREVIOUSLY ESTABLISHED INSTALL PRE-SET ANCHORS IN PLACE PER APPROVED SHOP DRAWINGS.

STEP - 4 FRAME ASSEMBLY



<p>1600 SYSTEM<sup>4</sup> RIBBON INSTALLATION INSTRUCTIONS</p> <p>PART NUMBER 164-971 1 OF 12</p>	95468-13 08/12/98
	DRAWING:
	ORDER:
	SHT:

### STEP - 4 FRAME ASSEMBLY

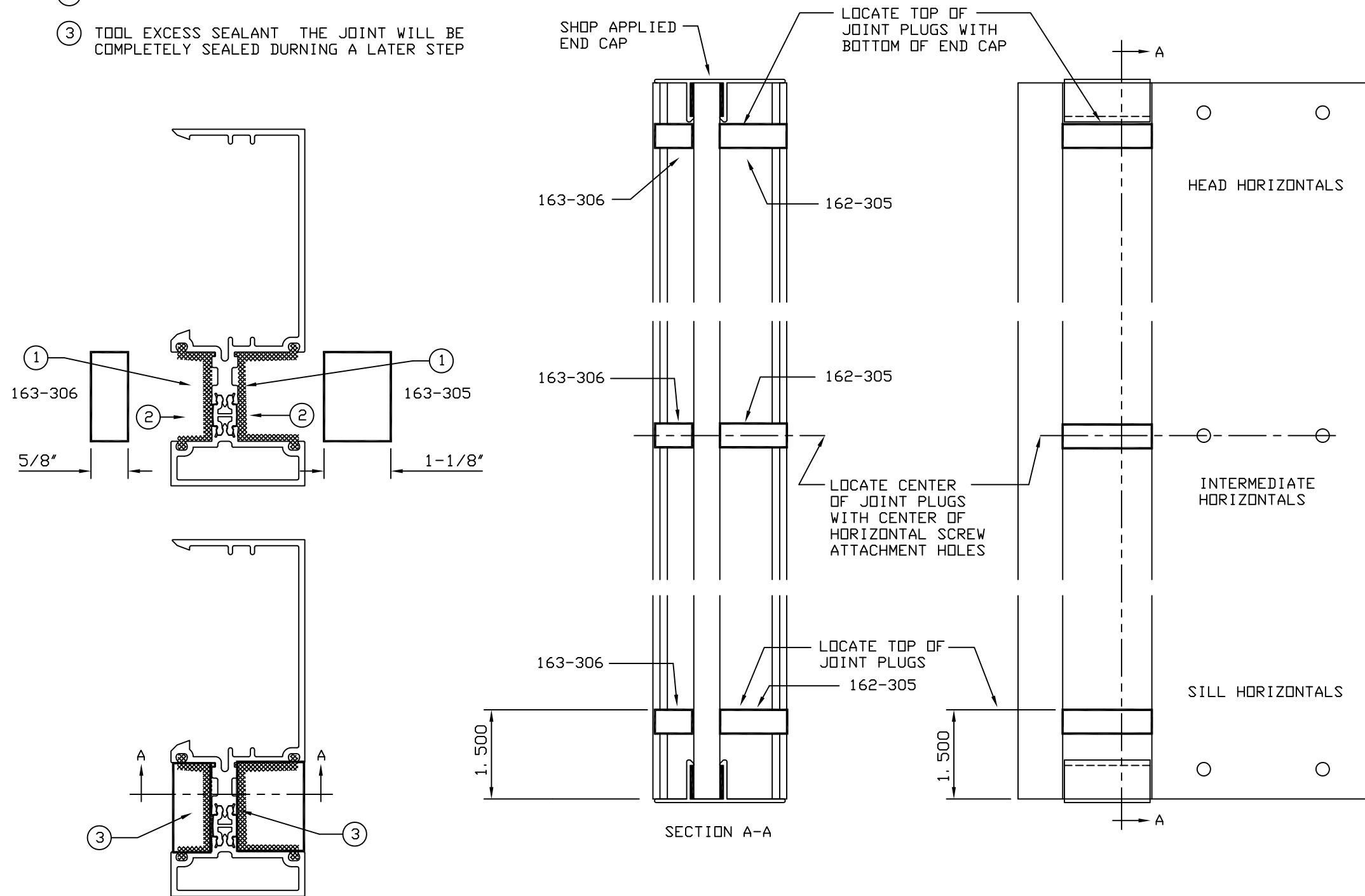
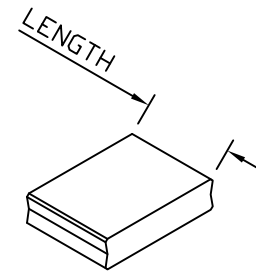
INSTALL JOINT PLUGS.

NOTE JOINT PLUG LOCATIONS

- ① APPLY SEALANT AT JOINT PLUG LOCATIONS FILLING GASKET POCKETS AND GROOVES
- ② INSTALL JOINT PLUGS INTO SEALANT
- ③ TOOL EXCESS SEALANT THE JOINT WILL BE COMPLETELY SEALED DURNING A LATER STEP

JOINT PLUG 163-305  
LENGTH 1-1/8" FOR  
DEEP POCKET

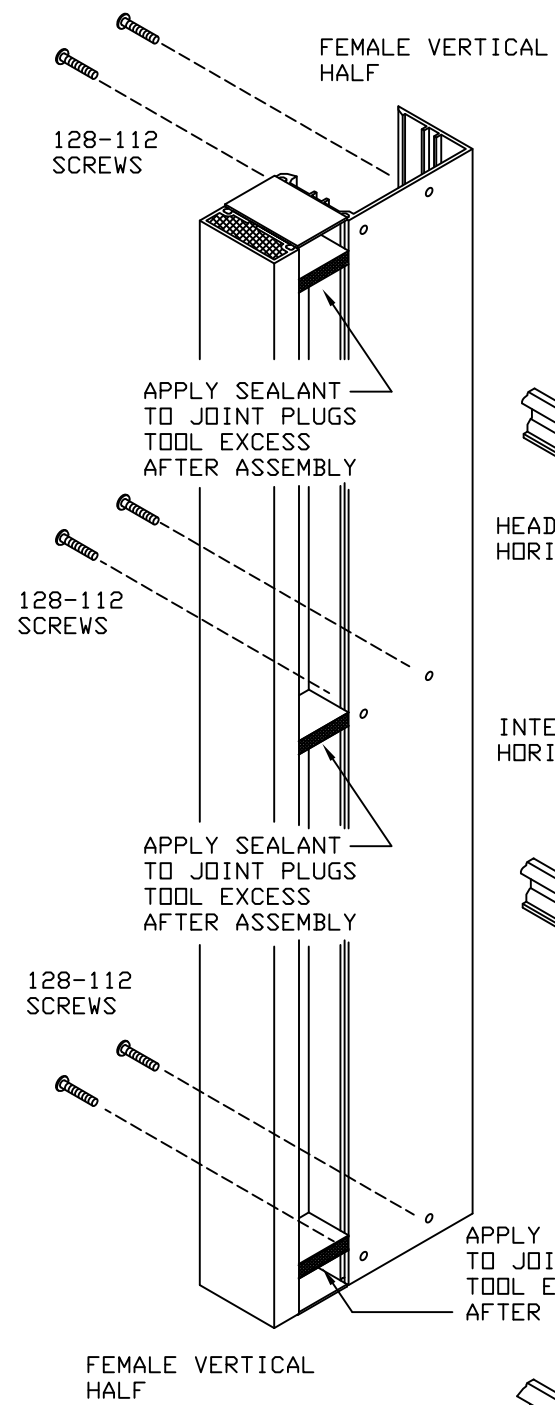
JOINT PLUG 163-306  
LENGTH 5/8" FOR  
SHALLOW POCKET



<p>1600 SYSTEM<sup>4</sup> RIBBON INSTALLATION INSTRUCTIONS</p> <p>PART NUMBER 164-971 2 OF 12</p>	95468 09/12/96
	DRAWING:
	ORDER:
	SHT:

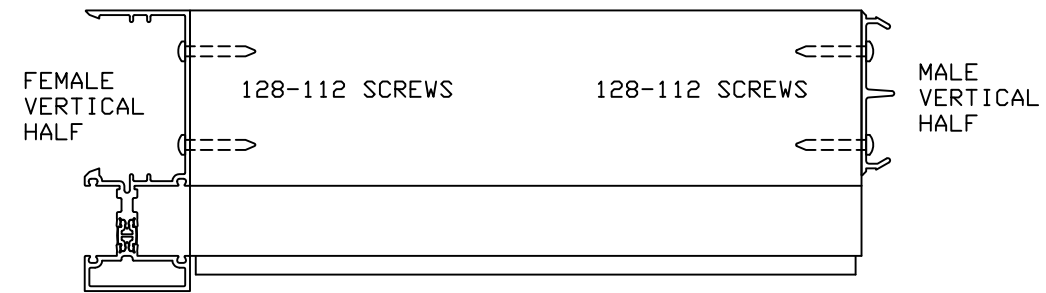
STEP - 4 FRAME ASSEMBLY

ASSEMBLED UNIT

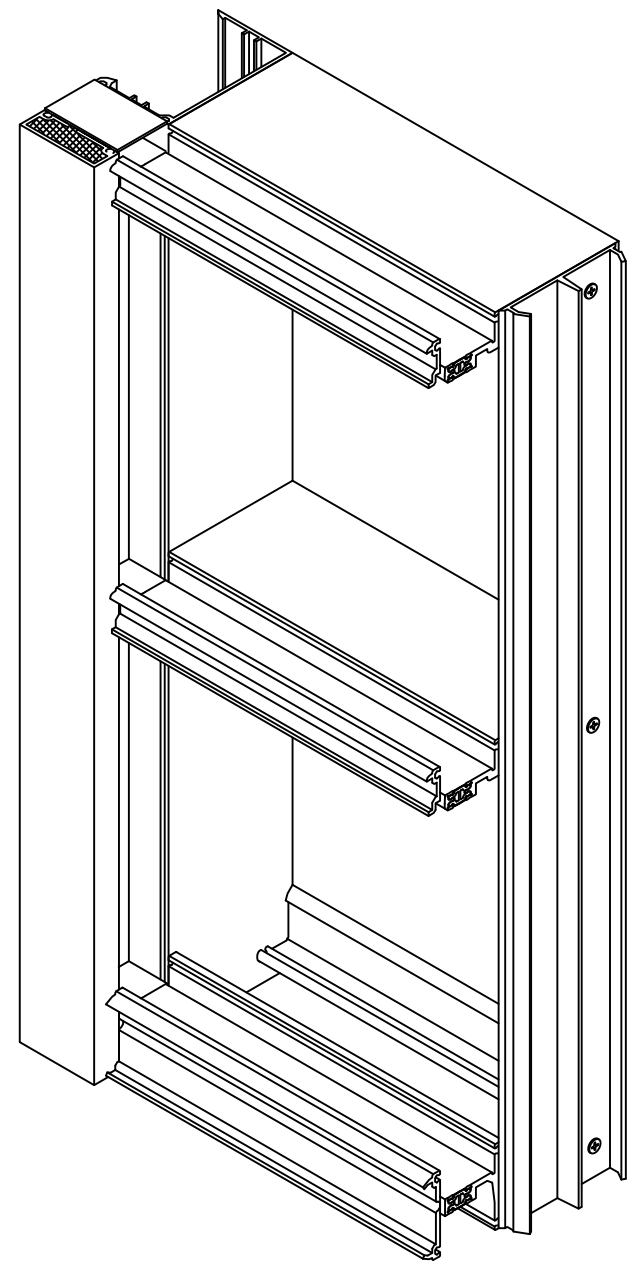
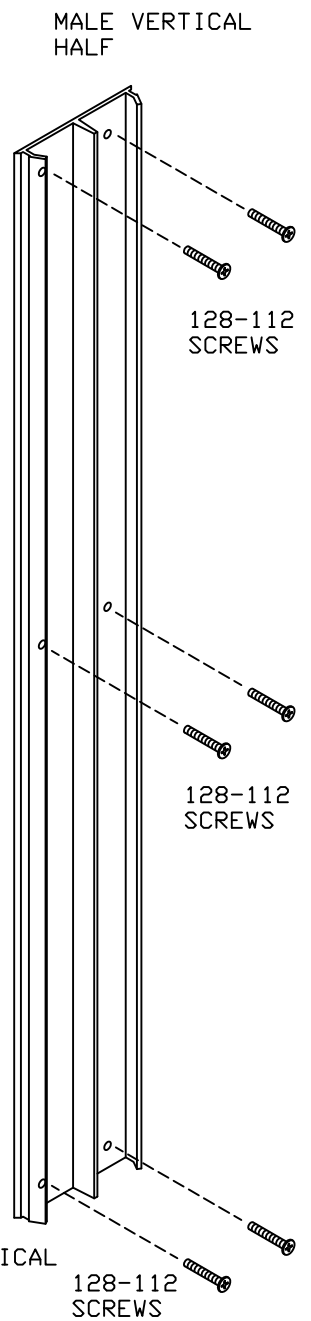
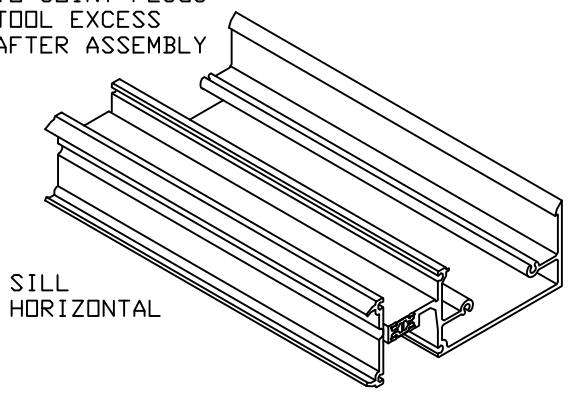
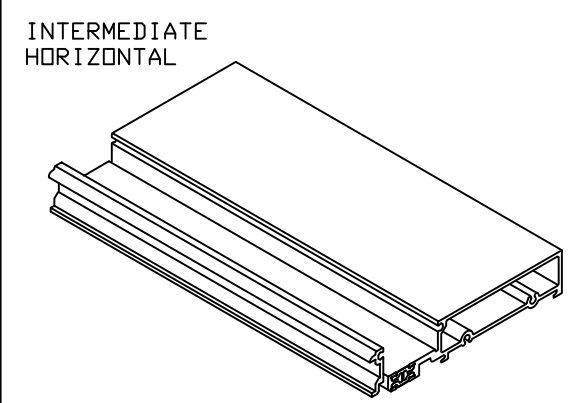
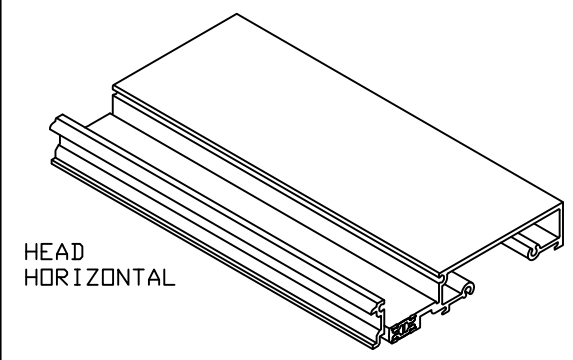
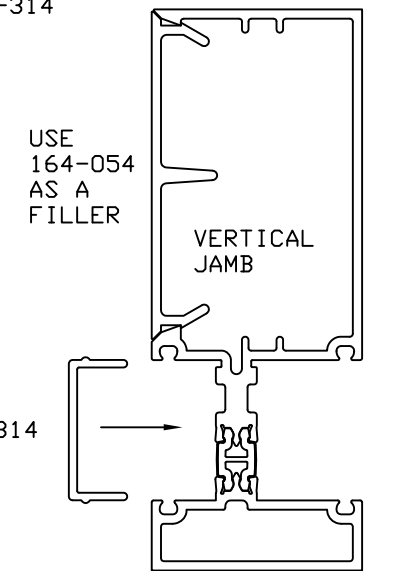
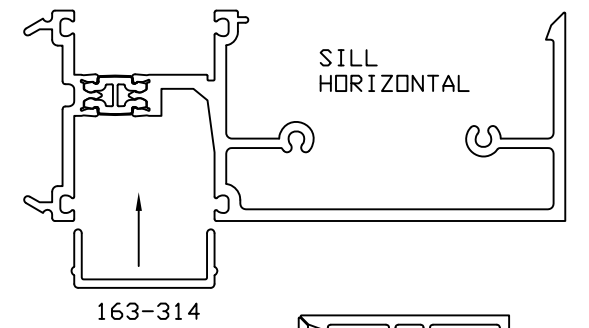
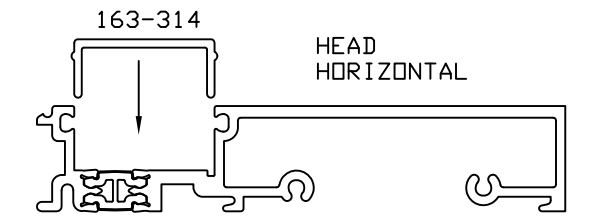


ASSEMBLE VERTICALS TO HORIZONTALS USING 128-112 SCREWS #12 X 1-1/2 PAN HEAD TYPE AB

FRAME IS SHOWN IN UPRIGHT POSITION BUT MAY BE ASSEMBLED IN ANY DESIRABLE POSITION.



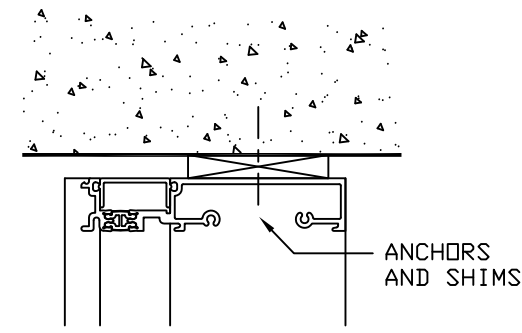
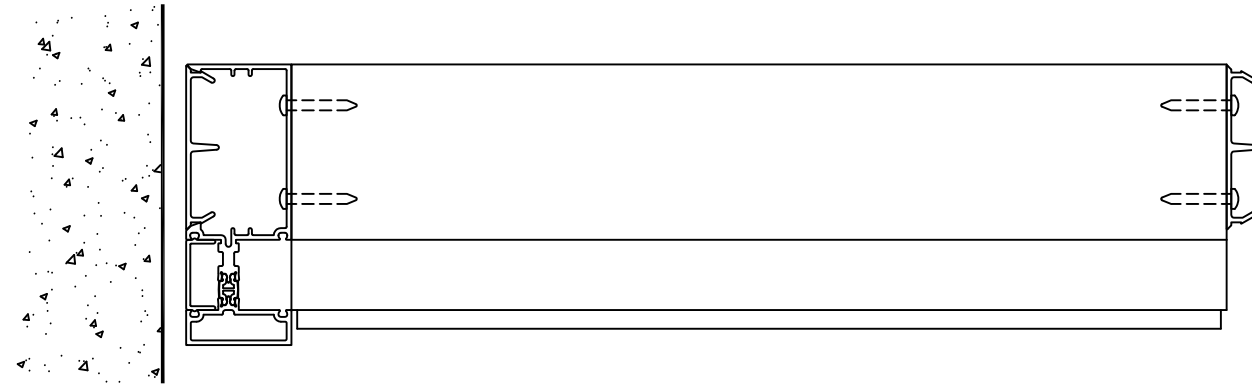
INSTALL 163-314 COMPOSITE THERMAL PERIMETER FILLERS SAME LENGTH AS VERTICALS AND HORIZONTALS



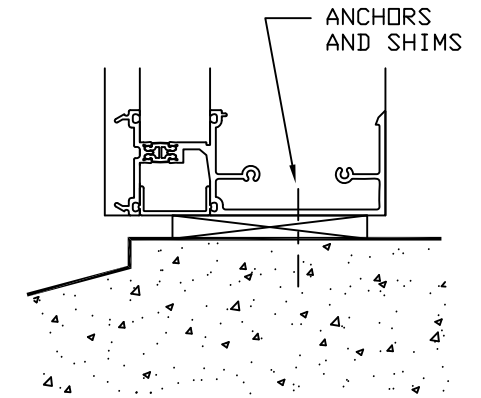
<p><b>Kawneer</b></p> <p>1600 SYSTEM<sup>4</sup> RIBBON INSTALLATION INSTRUCTIONS</p> <p>PART NUMBER 164-971 3 OF 12</p>	95468 09/12/96
	DRAWING:
	ORDER:
	SHT:

# STEP - 5 INSTALL UNITS

POSITION FIRST UNIT INTO PLACE AND ANCHOR HEAD AND SILL WITH FASTENER SIZE AND QUANTITY REQUIRED FOR JOB CONDITIONS

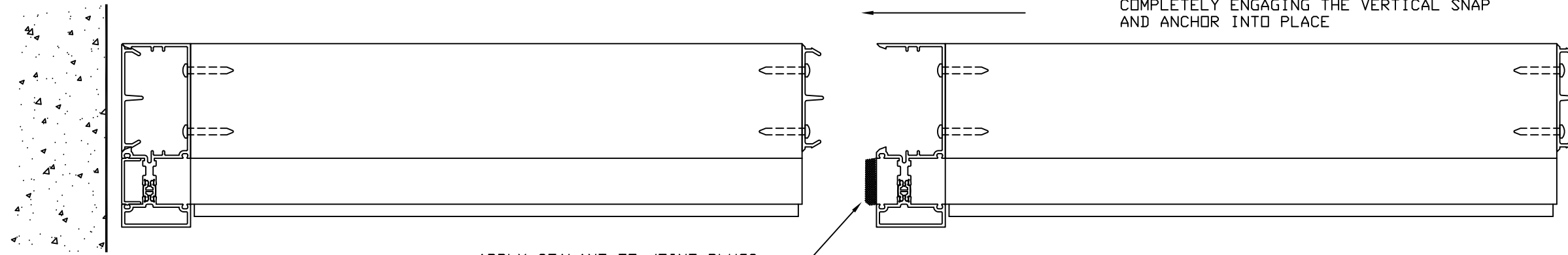


TYPICAL HEAD DETAIL

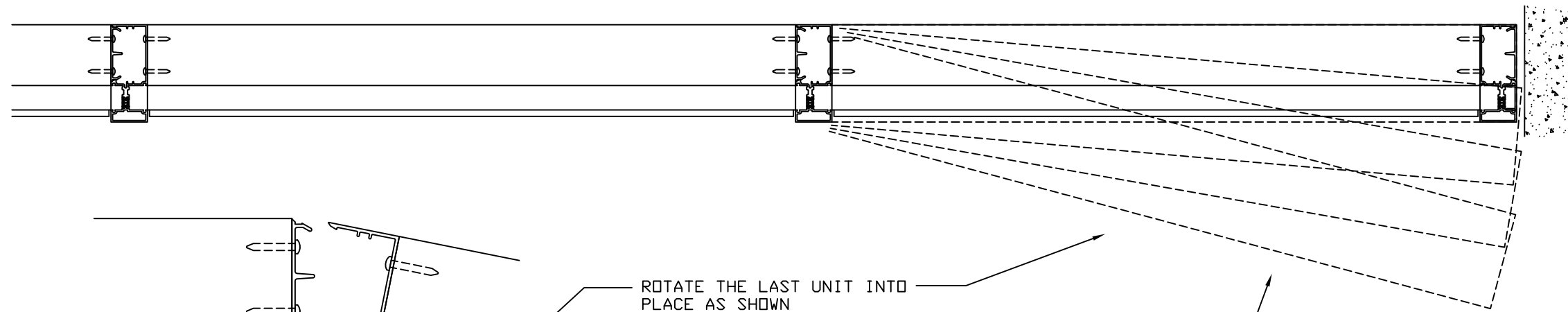


TYPICAL SILL DETAIL

INSTALL THE NEXT UNITS COMPLETELY ENGAGING THE VERTICAL SNAP AND ANCHOR INTO PLACE



APPLY SEALANT TO JOINT PLUGS JUST PRIOR TO INSTALLING UNIT TOOL EXCESS AFTER ASSEMBLY



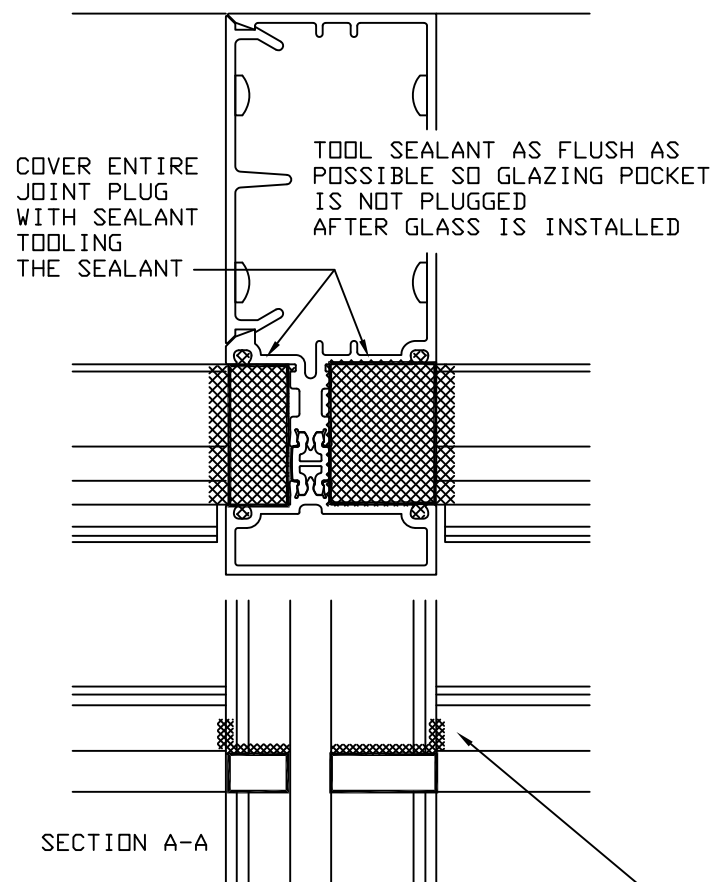
ROTATE THE LAST UNIT INTO PLACE AS SHOWN

**Kawneer**  
 1600 SYSTEM<sup>4</sup> RIBBON  
 INSTALLATION INSTRUCTIONS

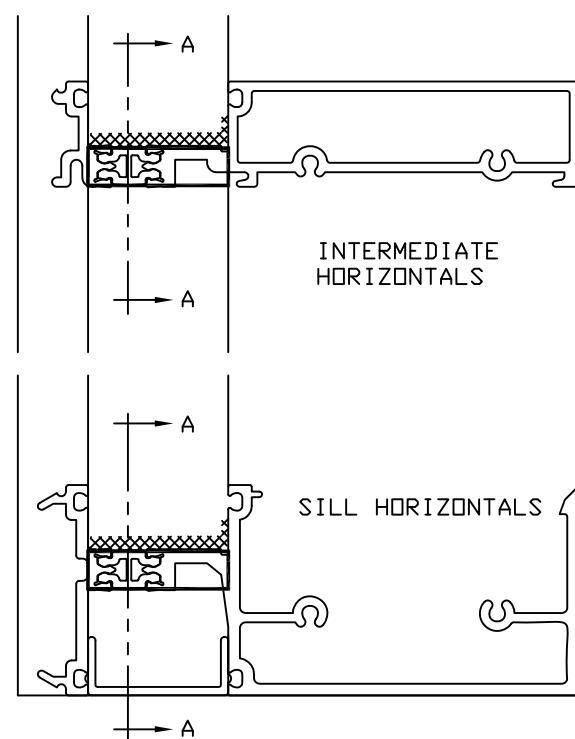
PART NUMBER  
164-971 4 OF 12

95468 09/12/96
DRAWING:
ORDER:
SHT:

STEP - 6 SEAL JOINT PLUGS

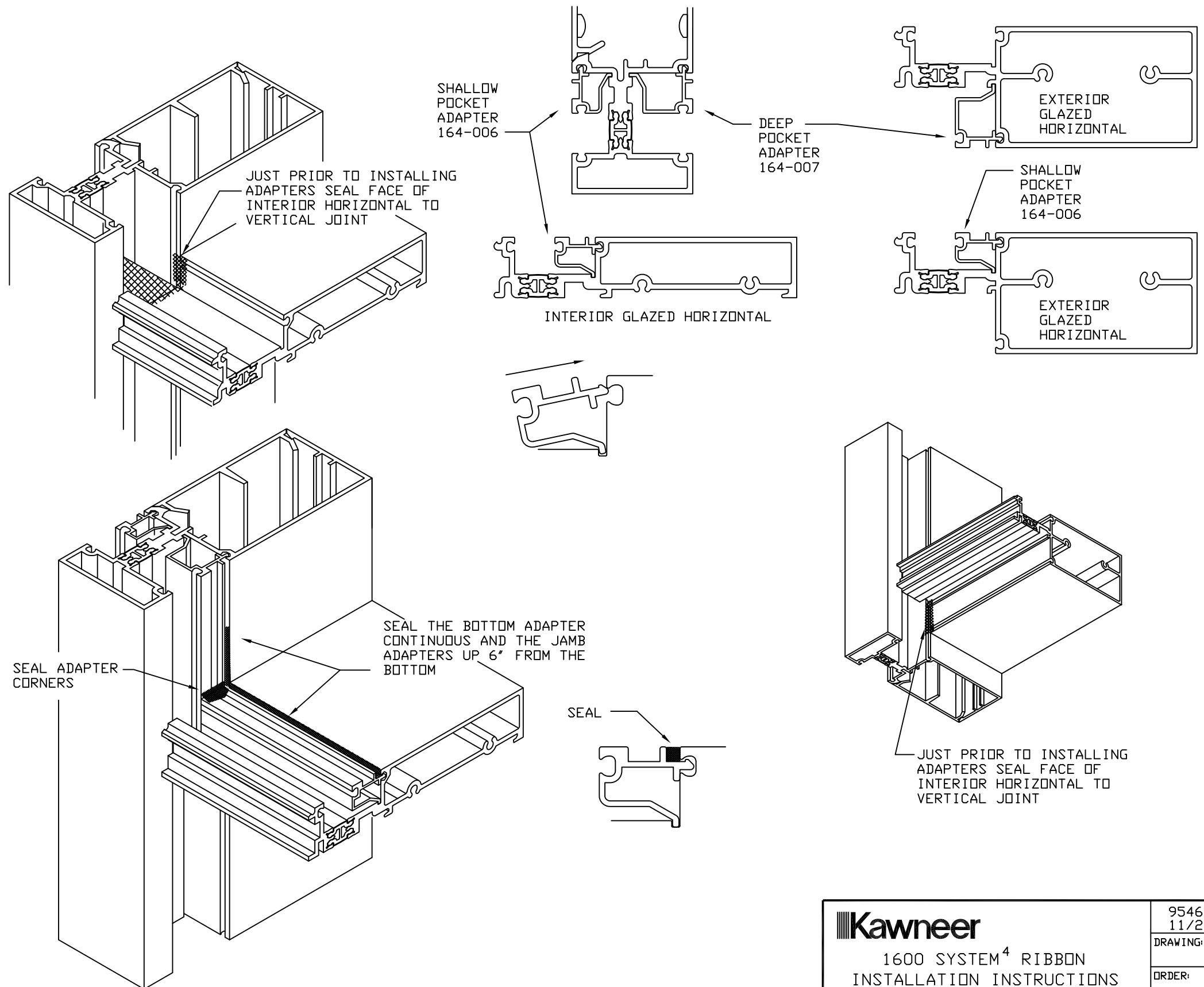


TOOL A SMALL AMOUNT OF SEALANT ONTO THE FACE OF THE HORIZONTAL TO VERTICAL JOINT. THE REMAINDER OF THE JOINT WILL BE SEALED WHEN THE GLAZING GASKETS ARE INSTALLED.



STEP - 7 INSTALL SPANDREL ADAPTERS

INSTALL VERTICAL ADAPTERS FIRST

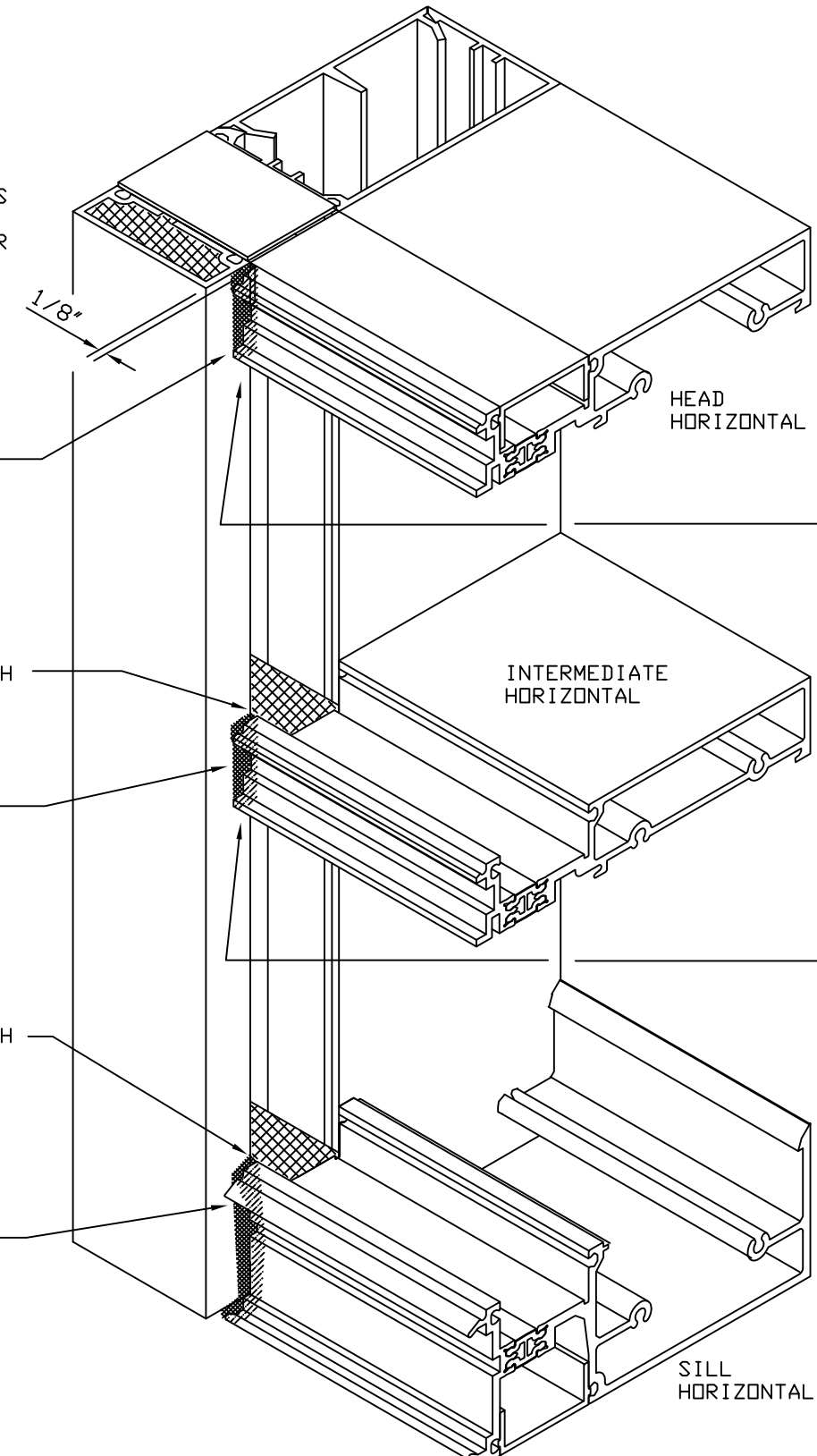


<p>1600 SYSTEM<sup>4</sup> RIBBON INSTALLATION INSTRUCTIONS</p> <p>PART NUMBER 164-971 5 OF 12</p>	95468-03 11/20/96
	DRAWING:
	ORDER:
	SHT:

# STEP - 8 SEAL EXTERIOR OF HORIZONTAL TO VERTICAL AND INSTALL EXTERIOR COVERS AT INTERIOR GLAZING

NOTE - IT IS IMPORTANT TO INSTALL THE COVERS AND MAKE THE SEAL AT THE SAME TIME. CURED SEALANT WILL INTERFERE WITH COVER INSTALLATION

HORIZONTAL FACE IS NOTCHED 1/8" TO CREATE A JOINT FOR SEALANT



COMPETELY SEAL- FILLING THE JOINT SO SEALANT COMES IN CONTACT WITH THE JOINT PLUG SEAL TOOL SEALANT

AT INTERIOR GASKET SIDE OF JOINT TOOL SEALANT FLUSH SO IT WILL NOT INTERFERE WITH GASKETS

COMPETELY SEAL- FILLING THE JOINT SO SEALANT COMES IN CONTACT WITH THE JOINT PLUG SEAL TOOL SEALANT

AT INTERIOR GASKET SIDE OF JOINT TOOL SEALANT FLUSH SO IT WILL NOT INTERFERE WITH GASKETS

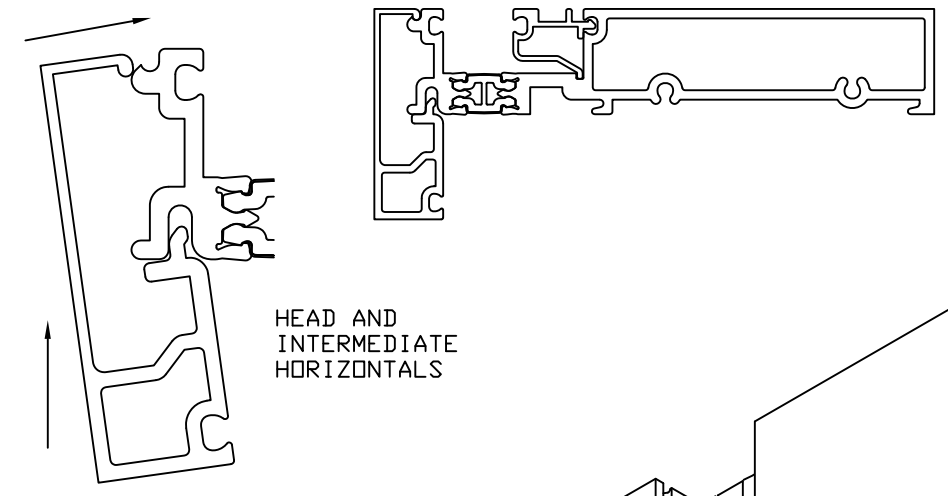
COMPETELY SEAL- FILLING THE JOINT SO SEALANT COMES IN CONTACT WITH THE JOINT PLUG SEAL TOOL SEALANT

HEAD HORIZONTAL

INTERMEDIATE HORIZONTAL

SILL HORIZONTAL

INSTALL COVERS AS SHOWN HOOKING THE BOTTOM AND SNAPPING ONTO THE TOP

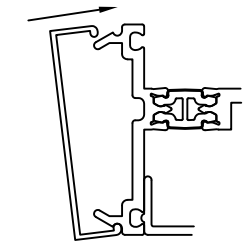


HEAD AND INTERMEDIATE HORIZONTALS

NOTE  
FOR ABOUT 1" AT EACH END APPLY SEALANT TO COVER ENGAGEMENT GROOVE

SEAL JOINT AS SHOWN. TOOL SEALANT DO NOT SEAL AT GLAZING GASKET AREA. THIS WILL BE SEALED WHEN GASKETS ARE INSTALLED

COVER AT SILL HORIZONTAL



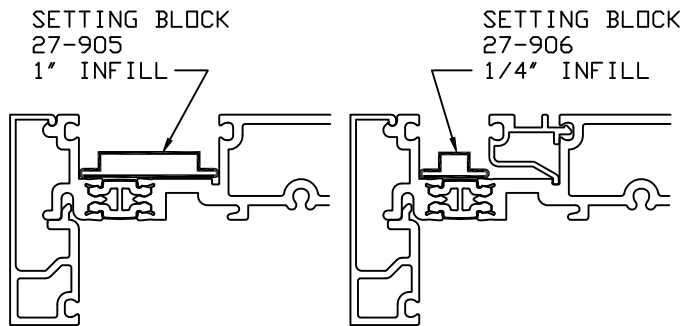
<b>Kawneer</b> 1600 SYSTEM <sup>4</sup> RIBBON INSTALLATION INSTRUCTIONS PART NUMBER 164-971 6 OF 12	95468-03 11/20/96
	DRAWING:
	ORDER:
	SHT:

### STEP - 9 INTERIOR GLAZING

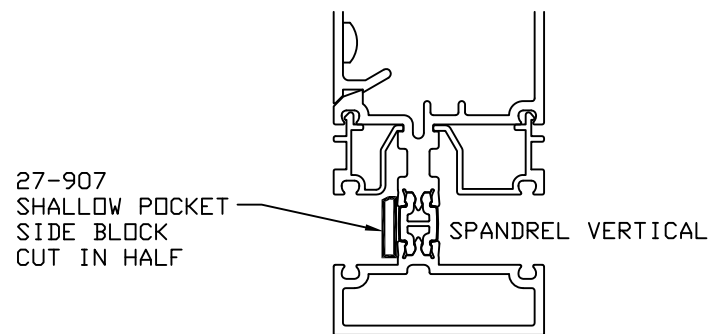
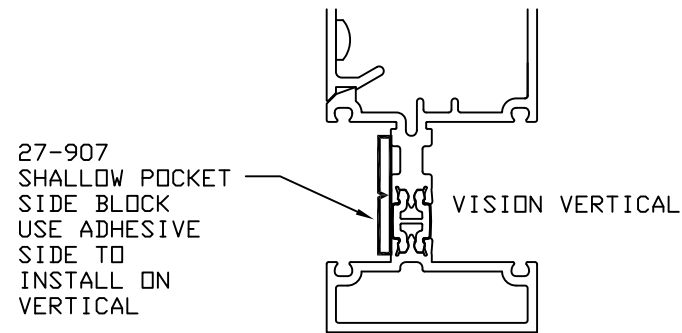
IT IS ESSENTIAL THAT ALL GUTTERS AT HORIZONTALS BE CLEANED PRIOR TO GLAZING.

THIS IS NECESSARY TO AVOID CLOGGING OF WEEP SYSTEMS AS WELL AS STAINING OF EXTERIOR METAL AND GLASS SURFACES.

INSTALL SETTING BLOCKS LOCATING PER APPROVED SHOP DRAWINGS.



INSTALL SIDE BLOCKS AT SHALLOW POCKET. LOCATE AT CENTER OF GLASS HEIGHT.



NOTE - GASKET ASSEMBLIES ARE PREFERRED IN ORDER TO MAINTAIN THE GASKET CORNERS WHEN INSTALLING THE GLASS. IF ASSEMBLIES ARE NOT USED SEAL GASKET CORNERS AND ALLOW SEALANT TO CURE SOME BEFORE INSTALLING THE GLASS.

### STEP - 9 INTERIOR GLAZING

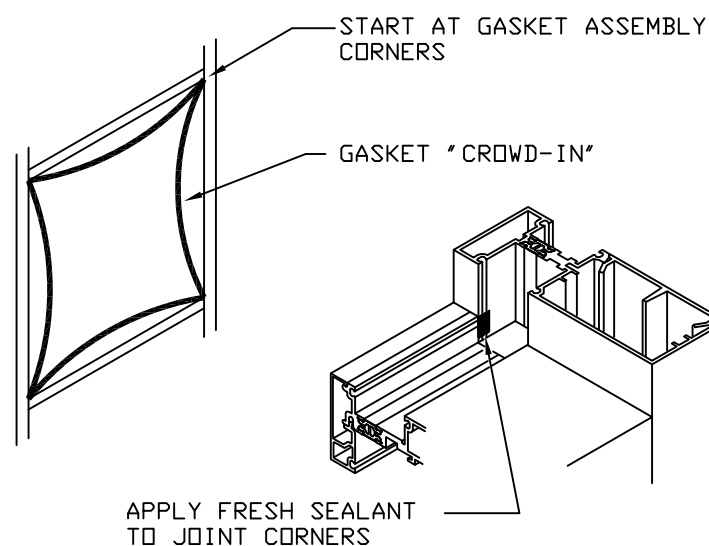
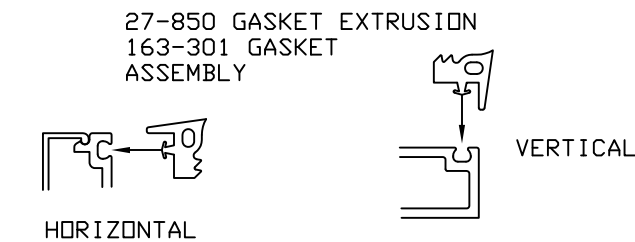
INSTALL EXTERIOR GASKET ASSEMBLIES.

GASKET ASSEMBLIES SHOULD BE INSTALLED JUST PRIOR TO GLASS FOR AVOIDING GASKET CONTAMINATION BY JOB SITE DEBRIS.

IN TEMPERATURES COLDER THAN 50 DEGREES F. ARRANGMENTS SHOULD BE MADE TO KEEP THE GASKETS WARM UNTILL INSTALLATION OF GASKETS AND GLASS. THIS WILL AVOID EXCESSIVE GLAZING PRESSURE ON THE GLASS EDGE DUE TO COLD STIFF GASKETS.

GASKETS CAN BECOME SOMEWHAT DEFORMED DURING STORAGE IN CARTONS. REMOVE GASKETS FROM CARTONS SEVERAL HOURS PRIOR TO USE AND ALLOW TO LAY FLAT OR HANG OVER RACK. TEMPRATURES SHOULD BE AT LEAST 50 DEGREES F.

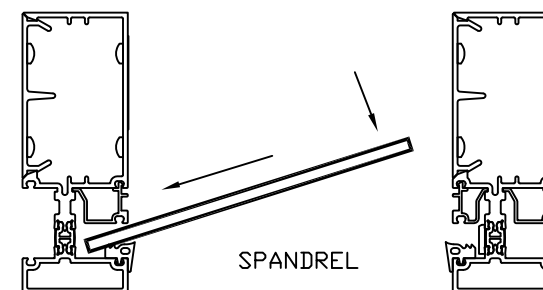
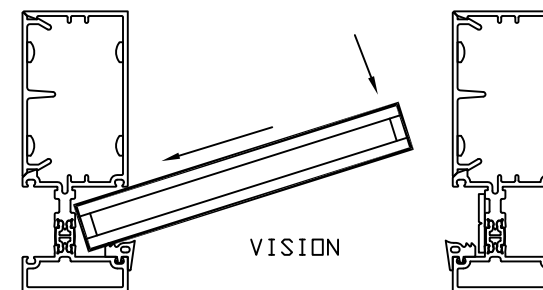
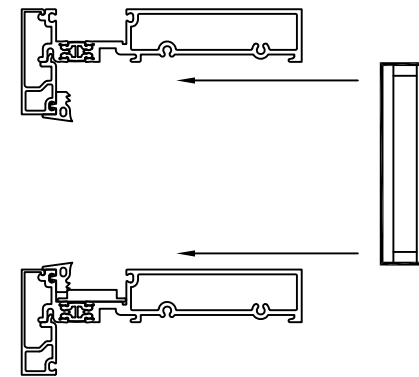
TO INSTALL GASKET ASSEMBLIES, START AT THE CORNERS AND WORK TOWARDS THE CENTER. BE SURE TO SQUARE THE CORNERS. GASKET ASSEMBLIES WILL BE SLIGHTLY LARGE FOR SOME "CROWD-IN". DO NOT STRETCH, CUT OR SPLICE GASKETS.



RECOMMEND INSTALLING COMPLETE GASKET ASSEMBLY THEN PULL BACK CORNERS AND APPLY SEALANT JUST PRIOR TO INSTALLING GLASS

### STEP - 9 INTERIOR GLAZING

INSTALL GLASS LIFTING ABOVE SILL AND INSERTING INTO DEEP VERTICAL POCKET AS SHOWN.



### STEP - 9 INTERIOR GLAZING

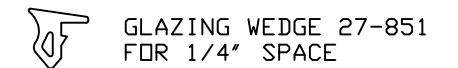
AFTER THE GLASS IS LOWERED ONTO THE SETTING BLOCKS AND CENTERED HORIZONTALLY LIFT THE GLASS SLIGHTLY AND PUSH FOWARD INTO THE EXTERIOR GASKETS.

REFERENCE - FGMA GLAZING MANUAL IN THE "GLASS SETTING" SECTION.

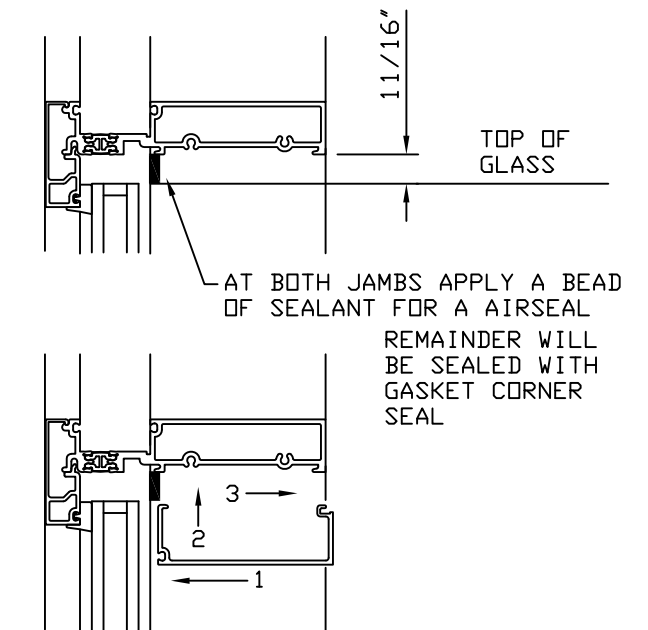
THE ABOVE WILL KEEP THE GLASS EDGE FROM DIGGING AND DEFORMING THE SETTING BLOCK. INSTALL A SHORT PIECE OF GLAZING WEDGE AT THE SETTING BLOCKS AS A TEMPORARY.

THEN INSTALL A SHORT PIECE OF GLAZING WEDGE AT THE TWO VERTICALS AS A TEMPORARY. LOCATE TOWARDS THE TOP OF THE LITE.

MAY LUBRICATE WITH WATER AS REQUIRED



INSTALL TOP INTERIOR HORIZONTAL STOPS



AFTER THE STOP IS INSTALLED USE GLAZING WEDGE TEMPORARIES.

**Kawneer**

1600 SYSTEM<sup>4</sup> RIBBON  
INSTALLATION INSTRUCTIONS

PART NUMBER  
164-971 7 OF 12

95468-12  
04/03/98

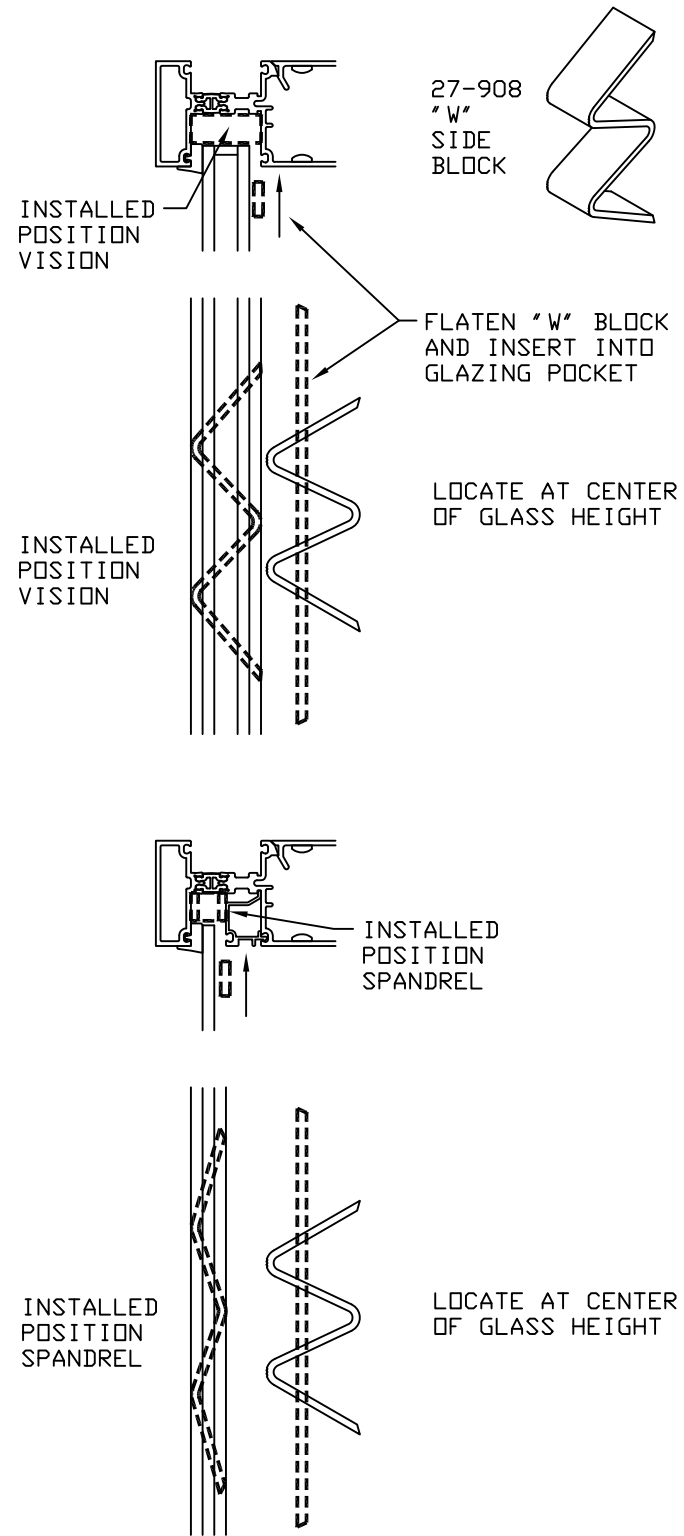
DRAWING:

ORDER:

SHT:

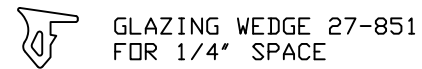
STEP - 9 INTERIOR GLAZING

INSTALL "W" SIDE BLOCKS INTO VERTICAL DEEP POCKETS.



STEP - 9 INTERIOR GLAZING

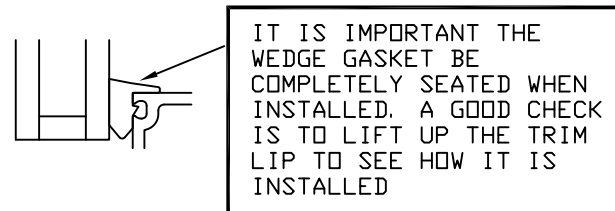
INSTALL GLAZING WEDGE GASKET



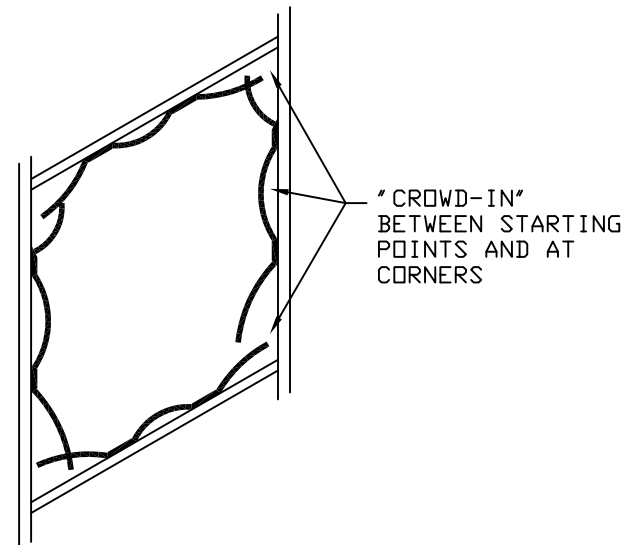
IN TEMPERATURES COLDER THAN 50 DEGREES F. ARRANGMENTS SHOULD BE MADE TO KEEP THE GASKETS WARM UNTILL INSTALLATION OF GASKETS AND GLASS. THIS WILL AVOID EXCESSIVE GLAZING PRESSURE ON THE GLASS EDGE DUE TO COLD STIFF GASKETS.

GASKETS CAN BECOME SOMEWHAT DEFORMED DURING STORAGE IN CARTONS. REMOVE GASKETS FROM CARTONS SEVERAL HOURS PRIOR TO USE AND ALLOW TO LAY FLAT OR HANG OVER RACK. TEMPRATURES SHOULD BE AT LEAST 50 DEGREES F.

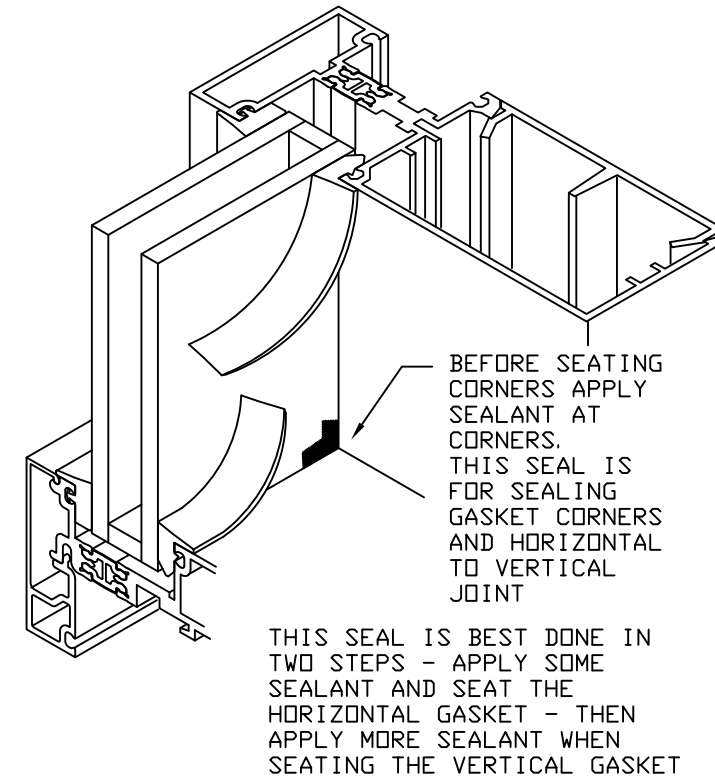
WHEN STARTING THE WEDGE GASKET THE BEST PLACE TO START IS NEAR A TEMPORARY. CUT THE WEDGE 1/8" TO 1/4" PER FOOT LONG FOR GASKET "CROWD-IN". THE "CROWD-IN" TO BE BETWEEN STARTING POINTS AND AT CORNERS. DO NOT STRECH TO FIT. CORNERS GET SEALED SEE DETAIL BELOW.



WATER MAY BE USED TO LUBRICATE WEDGE GASKET. BEFORE SEALING CORNERS WIPE GASKET AND CORNER WITH A CLEAN RAG. BEST METHOD IS TO LEAVE CORNERS OUT FOR SOME TIME TO LET WATER EVAPORATE AND WIPE CLEAN.



STEP - 9 INTERIOR GLAZING



<p>1600 SYSTEM<sup>4</sup> RIBBON INSTALLATION INSTRUCTIONS</p> <p>PART NUMBER 164-971 8 OF 12</p>	95468-12 04/03/98
	DRAWING:
	ORDER:
	SHT:

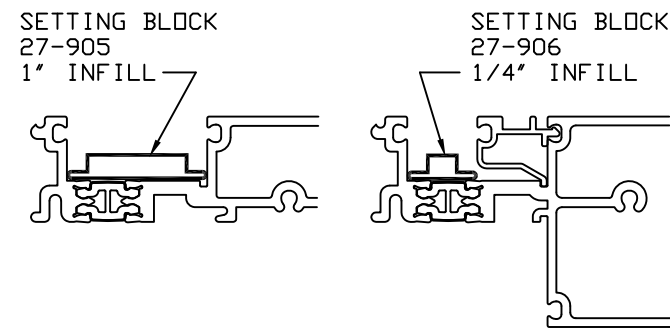


### STEP - 10 EXTERIOR GLAZING

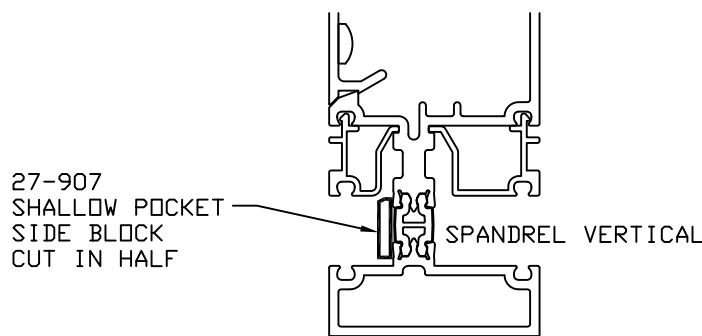
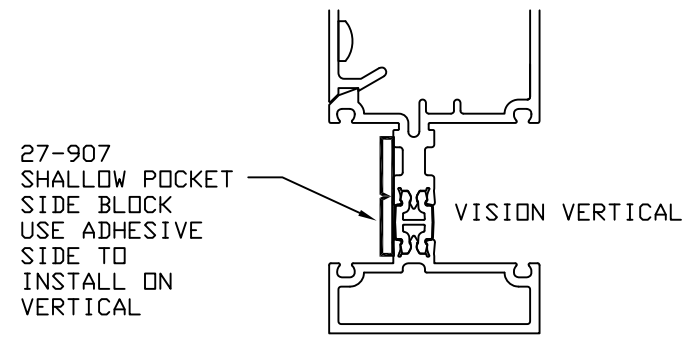
IT IS ESSENTIAL THAT ALL GUTTERS AT HORIZONTALS BE CLEANED PRIOR TO GLAZING.

THIS IS NECESSARY TO AVOID CLOGGING OF WEEP SYSTEMS AS WELL AS STAINING OF EXTERIOR METAL AND GLASS SURFACES.

INSTALL SETTING BLOCKS LOCATING PER APPROVED SHOP DRAWINGS.



INSTALL SIDE BLOCKS AT SHALLOW POCKET. LOCATE AT CENTER OF GLASS HEIGHT.



NOTE - GASKET ASSEMBLIES ARE PREFERRED IN ORDER TO MAINTAIN THE GASKET CORNERS WHEN INSTALLING THE GLASS. IF ASSEMBLIES ARE NOT USED SEAL GASKET CORNERS AND ALLOW SEALANT TO CURE SOME BEFORE INSTALLING THE GLASS.

### STEP - 10 EXTERIOR GLAZING

INSTALL INTERIOR GASKET ASSEMBLIES.

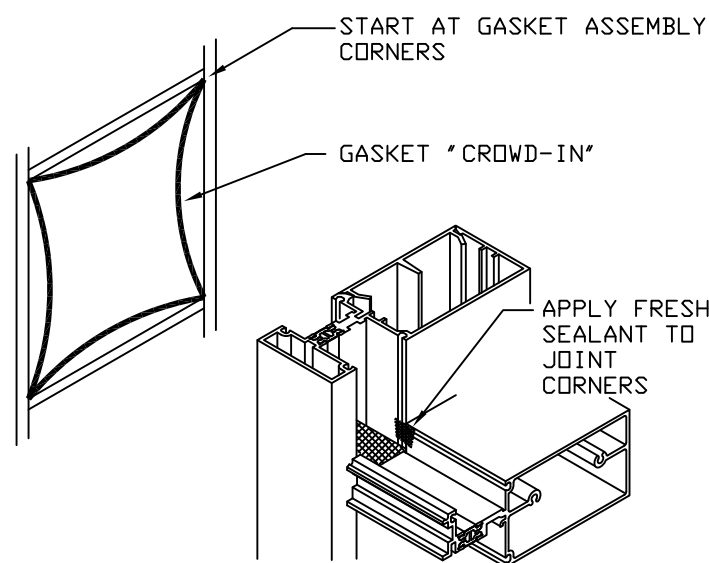
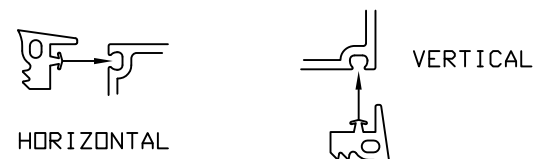
GASKET ASSEMBLIES SHOULD BE INSTALLED JUST PRIOR TO GLASS FOR AVOIDING GASKET CONTAMINATION BY JOB SITE DEBRIS.

IN TEMPERATURES COLDER THAN 50 DEGREES F. ARRANGMENTS SHOULD BE MADE TO KEEP THE GASKETS WARM UNTILL INSTALLATION OF GASKETS AND GLASS. THIS WILL AVOID EXCESSIVE GLAZING PRESSURE ON THE GLASS EDGE DUE TO COLD STIFF GASKETS.

GASKETS CAN BECOME SOMEWHAT DEFORMED DURING STORAGE IN CARTONS. REMOVE GASKETS FROM CARTONS SEVERAL HOURS PRIOR TO USE AND ALLOW TO LAY FLAT OR HANG OVER RACK. TEMPRATURES SHOULD BE AT LEAST 50 DEGREES F.

TO INSTALL GASKET ASSEMBLIES, START AT THE CORNERS AND WORK TOWARDS THE CENTER. BE SURE TO SQUARE THE CORNERS. GASKET ASSEMBLIES WILL BE SLIGHTLY LARGE FOR SOME "CROWD-IN". DO NOT STRETCH, CUT OR SPLICE GASKETS.

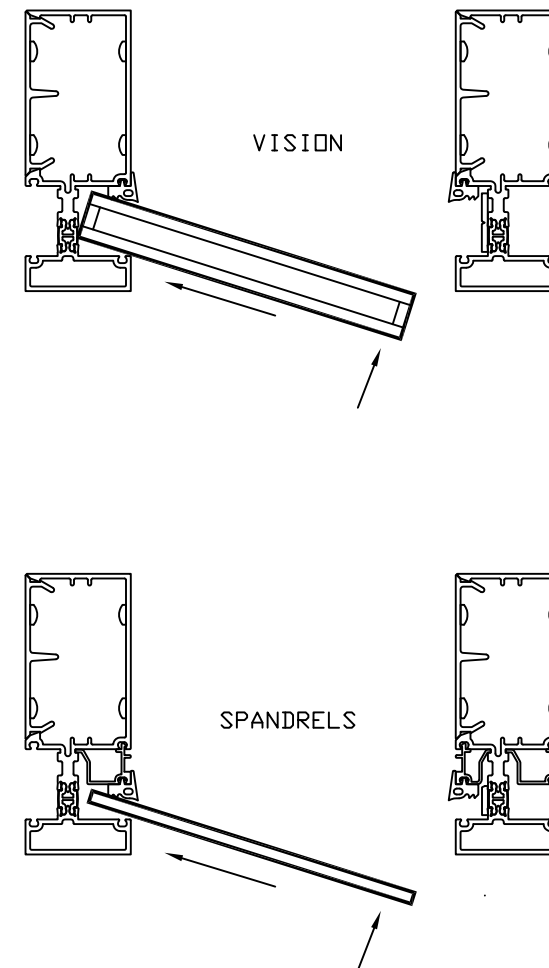
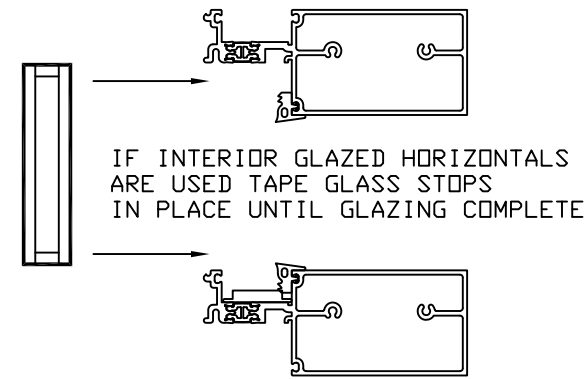
27-850 GASKET EXTRUSION  
163-301 GASKET ASSEMBLY



RECOMMEND INSTALLING COMPLETE GASKET ASSEMBLY THEN PULL BACK CORNERS AND APPLY SEALANT JUST PRIOR TO INSTALLING GLASS

### STEP - 10 EXTERIOR GLAZING

INSTALL GLASS LIFTING ABOVE SILL AND INSERTING INTO DEEP VERTICAL POCKET AS SHOWN.



### STEP - 10 EXTERIOR GLAZING

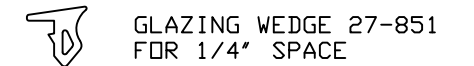
AFTER THE GLASS IS LOWERED ONTO THE SETTING BLOCKS AND CENTERED HORIZONTALLY LIFT THE GLASS SLIGHTLY AND PUSH FOWARD INTO THE INTERIOR GASKETS.

REFERENCE - FGMA GLAZING MANUAL IN THE "GLASS SETTING" SECTION.

THE ABOVE WILL KEEP THE GLASS EDGE FROM DIGGING AND DEFORMING THE SETTING BLOCK. INSTALL A SHORT PIECE OF GLAZING WEDGE AT THE SETTING BLOCKS AS A TEMPORARY.

THEN INSTALL A SHORT PIECE OF GLAZING WEDGE AT THE TWO VERTICALS AS A TEMPORARY. LOCATE TOWARDS THE TOP OF THE LITE.

MAY LUBRICATE WITH WATER AS REQUIRED



INSTALL "W" BLOCKS INTO DEEP POCKET SAME AS INTERIOR GLAZING EXCEPT INSTALL FROM THE EXTERIOR

<p>1600 SYSTEM<sup>4</sup> RIBBON INSTALLATION INSTRUCTIONS</p> <p>PART NUMBER 164-971 9 OF 12</p>	95468-12
	04/03/98
	DRAWING:
	ORDER:
	SHT:

# STEP - 10 EXTERIOR GLAZING

## INSTALL SEALANT BACK-UP SPONGES AND APPLY SEAL INSTALL COVERS

NOTE - IT IS IMPORTANT TO INSTALL COVERS AND MAKE THE SEALS AT THE SAME TIME. CURED SEALANT WILL INTERFERE WITH COVER INSTALLTION REFERENCE STEP - 8

AT THE TOP CORNERS OF EACH LITE OF GLASS INSTALL SEALANT BACK-UP SPONGES AS SHOWN

NOTE  
FOR ABOUT 1" AT EACH END APPLY SEALANT TO COVER ENGAGEMENT GROOVE

HORIZONTAL FACE IS NOTCHED 1/8" TO CREATE A JOINT FOR SEALANT

COMPLETELY SEAL- FILLING THE JOINT SO SEALANT COMES IN CONTACT WITH THE JOINT PLUG SEAL TOOL SEALANT

APPLY SEALANT TO FACE OF SPONGE

AT INTERIOR GASKET SIDE OF JOINT TOOL SEALANT FLUSH SO IT WILL NOT INTERFERE WITH GASKETS

COMPLETELY SEAL- FILLING THE JOINT SO SEALANT COMES IN CONTACT WITH THE JOINT PLUG SEAL TOOL SEALANT

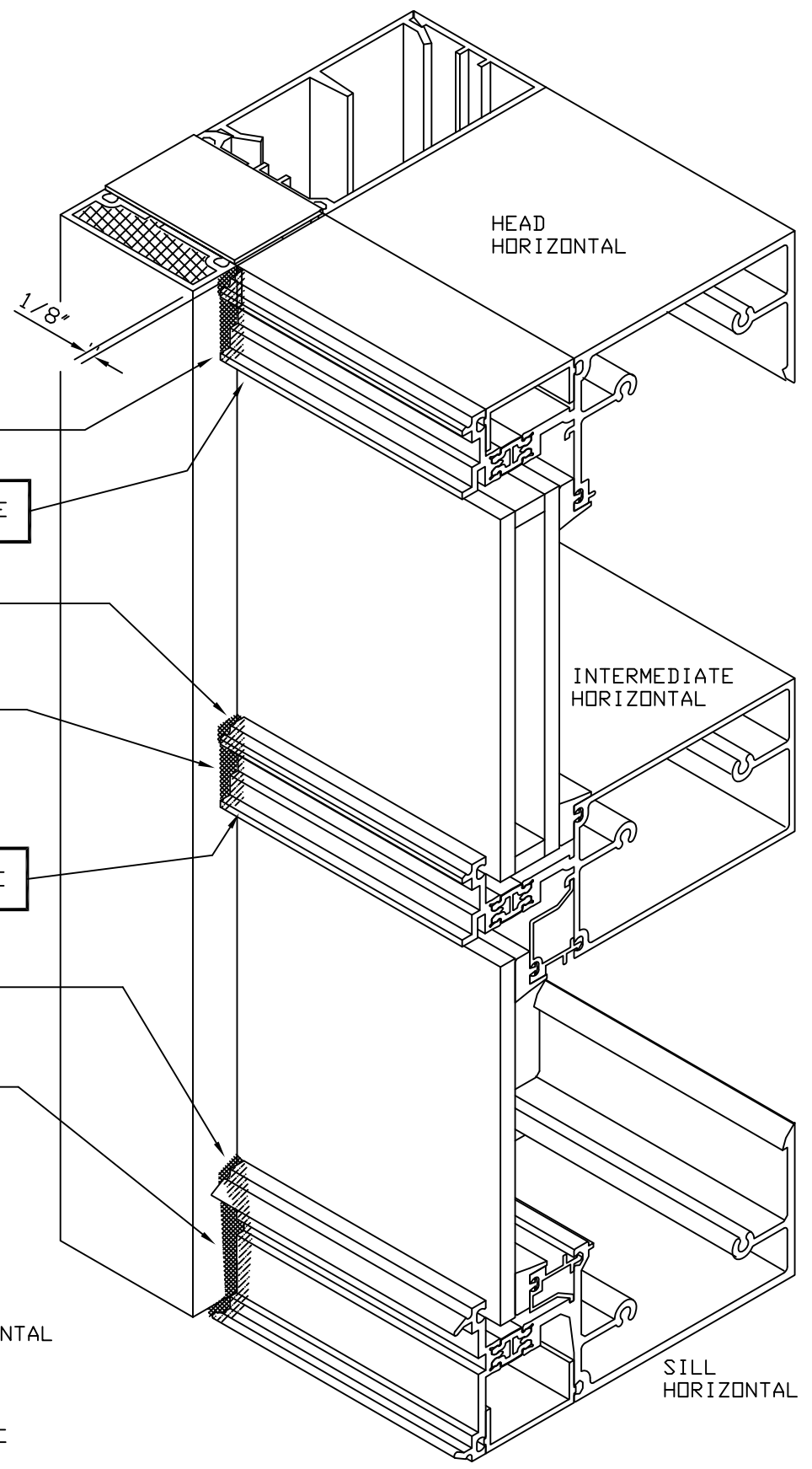
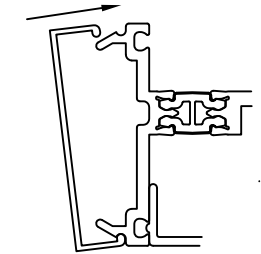
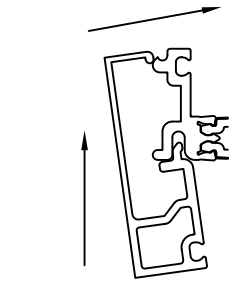
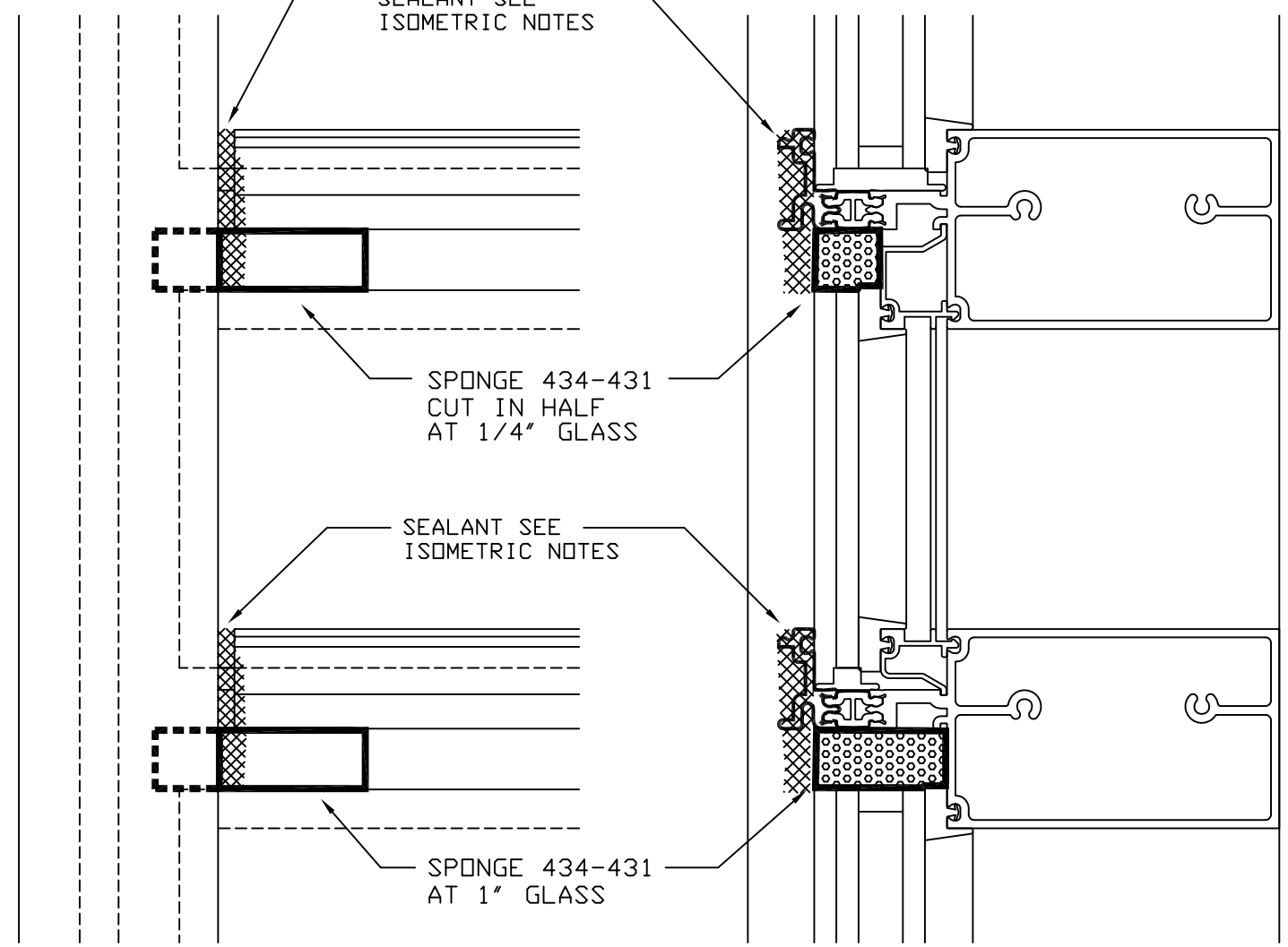
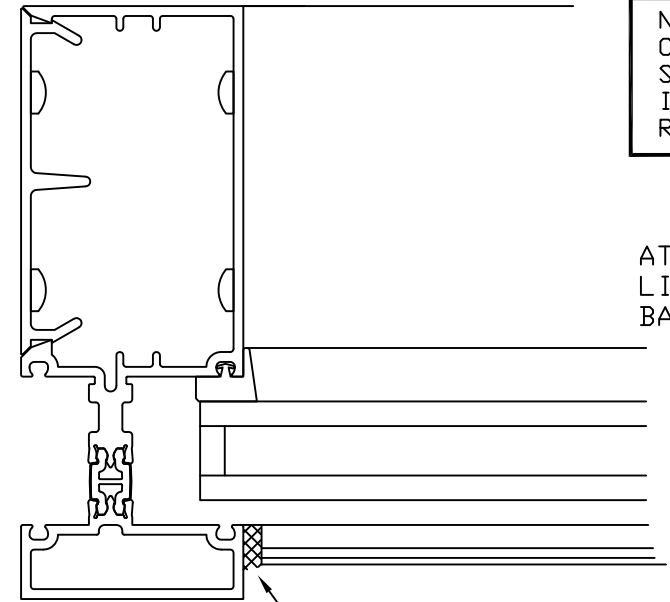
APPLY SEALANT TO FACE OF SPONGE

AT INTERIOR GASKET SIDE OF JOINT TOOL SEALANT FLUSH SO IT WILL NOT INTERFERE WITH GASKETS

COMPLETELY SEAL- FILLING THE JOINT SO SEALANT COMES IN CONTACT WITH THE JOINT PLUG SEAL TOOL SEALANT

INSTALL COVERS AS SHOWN HOOKING THE BOTTOM AND SNAPPING ONTO THE TOP

COVER AT SILL HORIZONTAL



<b>Kawneer</b> 1600 SYSTEM <sup>4</sup> RIBBON INSTALLATION INSTRUCTIONS PART NUMBER 164-971 10 OF 12	95468-21 10/20/00
	DRAWING:
	ORDER:
	SHT:

# STEP - 10 EXTERIOR GLAZING

## INSTALL GLAZING WEDGE GASKET



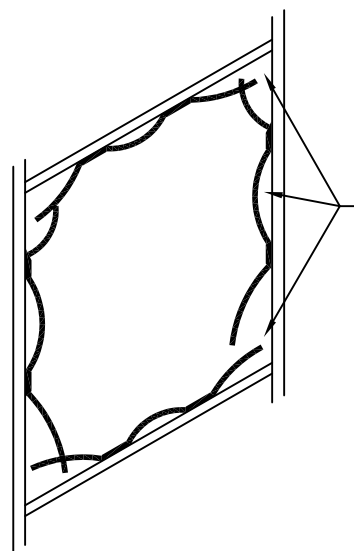
GLAZING WEDGE 27-851  
FOR 1/4" SPACE

IN TEMPERATURES COLDER THAN 50 DEGREES F. ARRANGMENTS SHOULD BE MADE TO KEEP THE GASKETS WARM UNTILL INSTALLATION OF GASKETS AND GLASS. THIS WILL AVOID EXCESSIVE GLAZING PRESSURE ON THE GLASS EDGE DUE TO COLD STIFF GASKETS.

GASKETS CAN BECOME SOMEWHAT DEFORMED DURING STORAGE IN CARTONS. REMOVE GASKETS FROM CARTONS SEVERAL HOURS PRIOR TO USE AND ALLOW TO LAY FLAT OR HANG OVER RACK. TEMPRATURES SHOULD BE AT LEAST 50 DEGREES F.

WHEN STARTING THE WEDGE GASKET THE BEST PLACE TO START IS NEAR A TEMPORARY. CUT THE WEDGE 1/8" TO 1/4" PER FOOT LONG FOR GASKET "CROWD-IN". THE "CROWD-IN" TO BE BETWEEN STARTING POINTS AND AT CORNERS. DO NOT STRETCH TO FIT. CORNERS GET SEALED SEE DETAIL BELOW.

WATER MAY BE USED TO LUBRICATE WEDGE GASKET. BEFORE SEALING CORNERS WIPE GASKET AND CORNER WITH A CLEAN RAG. BEST METHOD IS TO LEAVE CORNERS OUT FOR SOME TIME TO LET WATER EVAPORATE AND WIPE CLEAN.



"CROWD-IN" BETWEEN STARTING POINTS AND AT CORNERS

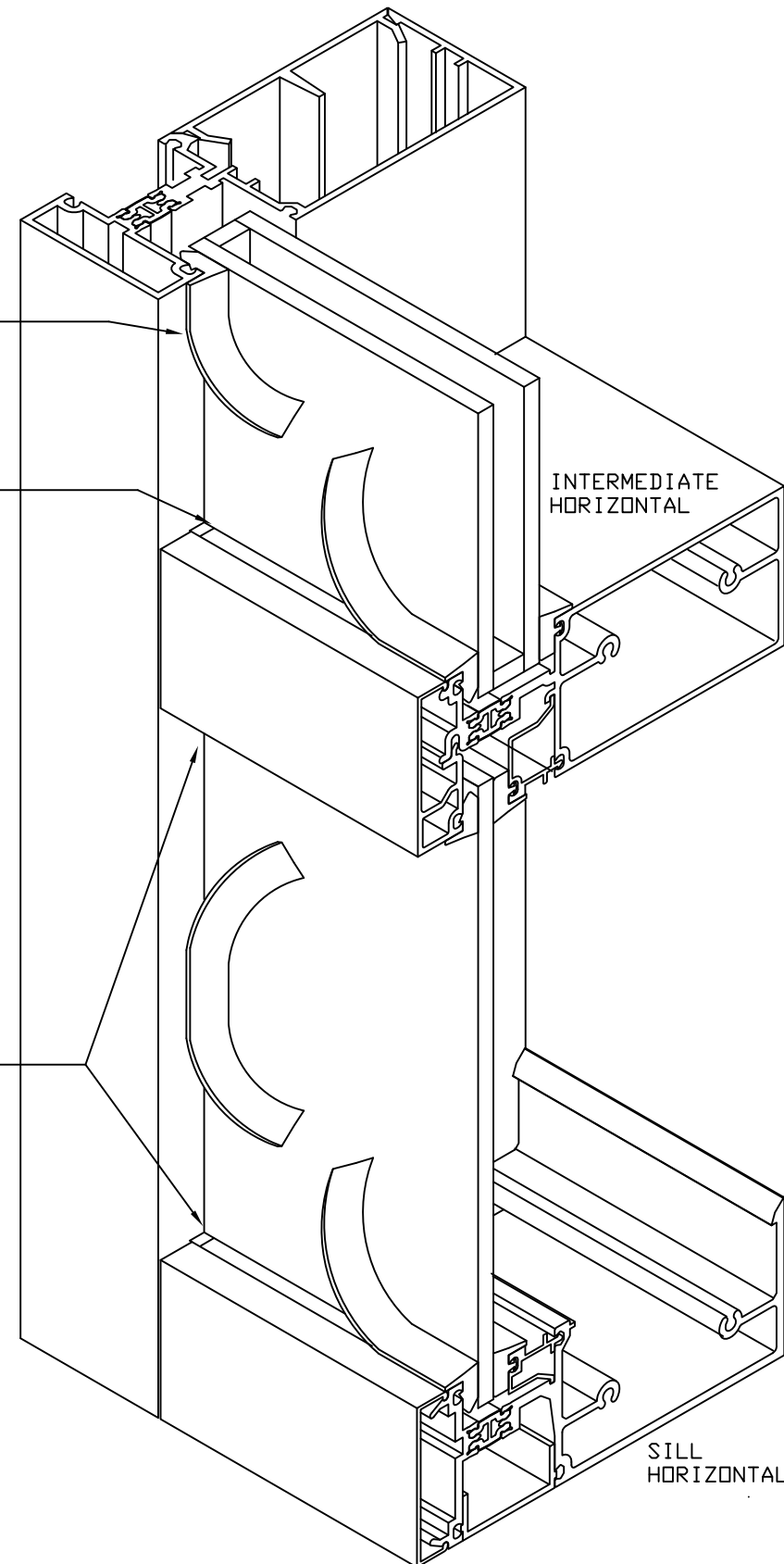
IT IS IMPORTANT THE WEDGE GASKET BE COMPLETELY SEATED WHEN INSTALLED. A GOOD CHECK IS TO LIFT UP THE TRIM LIP TO SEE HOW IT IS INSTALLED BOTH VERTICALLY AND HORIZONTALLY

BEFORE SEATING CORNERS APPLY FRESH SEALANT AT CORNERS FOR SEALING GASKET CORNERS

THIS SEAL IS BEST DONE IN TWO STEPS - APPLY SOME SEALANT AND SEAT THE HORIZONTAL GASKET - THEN APPLY MORE SEALANT WHEN SEATING THE VERTICAL GASKET

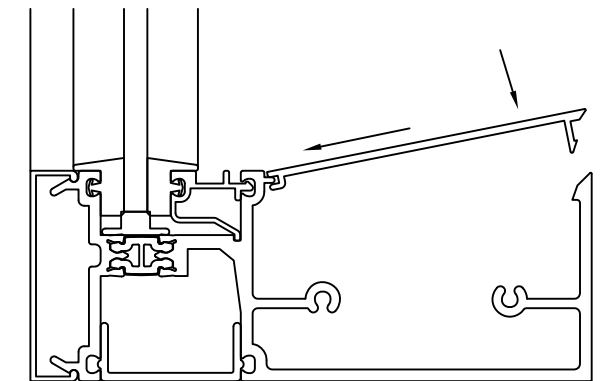
BEFORE SEATING CORNERS APPLY FRESH SEALANT AT CORNERS FOR SEALING GASKET CORNERS

THIS SEAL IS BEST DONE IN TWO STEPS - APPLY SOME SEALANT AND SEAT THE HORIZONTAL GASKET - THEN APPLY MORE SEALANT WHEN SEATING THE VERTICAL GASKET



## INSTALL INTERIOR FILLERS WHERE APPLICABLE

FILLERS USED AT EXPOSED AREAS ONLY



**Kawneer**

1600 SYSTEM<sup>4</sup> RIBBON  
INSTALLATION INSTRUCTIONS

PART NUMBER  
164-971 11 OF 12

95468-12  
04/03/98

DRAWING:

ORDER:

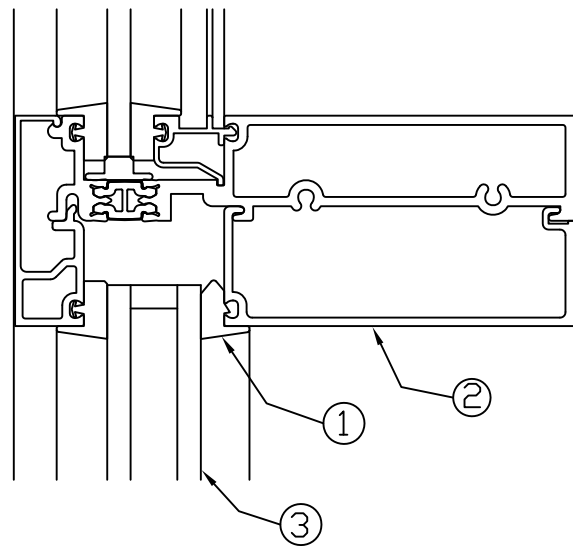
SHT:

RE-GLAZING

INTERIOR GLAZED VISION LITE

ORDER NEW

- 1 - FIXED GASKET ASSEMBLY
- 2 - WEDGE GASKET MATERIAL



REMOVE

- 1 - EXISTING WEDGE GASKET
- 2 - TOP INTERIOR STOP
- 3 - GLASS TO BE REPLACED

CLEAN METAL AND RE-GLAZE PER INTERIOR GLAZING INSTRUCTIONS STEP #9

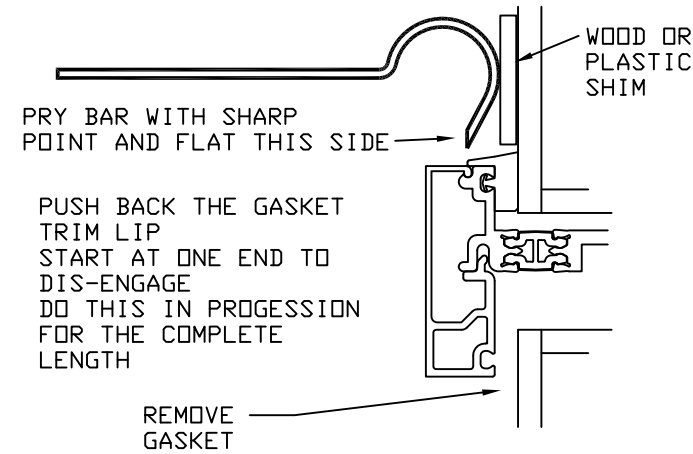
RE-GLAZING

INTERIOR GLAZED LITES TO BE RE-GLAZED FROM THE EXTERIOR

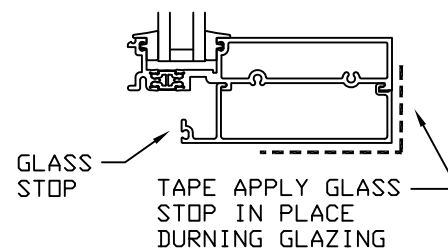
ORDER NEW

- 1 - FIXED GASKET ASSEMBLY
- 2 - WEDGE GASKET MATERIAL FOR ALL FOUR SIDES
- 3 - NEW TOP EXTERIOR COVER IF EXISTING COVER CAN NOT BE SAVED

COVERS CAN BE SAVED IF TOLERANCES ARE NOT TOO TIGHT AND THE COVER IS REMOVED WITH EXTREME CARE



REMOVE GLASS AND INTERIOR GASKET



CLEAN METAL AND RE-GLAZE PER EXTERIOR GLAZING INSTRUCTIONS STEP #10

<p>1600 SYSTEM<sup>4</sup> RIBBON INSTALLATION INSTRUCTIONS</p> <p>PART NUMBER 164-971 12 OF 12</p>	95468-06 02/07/97
	DRAWING:
	ORDER:
	SHT: