

GENERAL NOTES

THESE INSTALLATION INSTRUCTIONS ARE A SUPPLEMENT TO THE APPROVED SHOP DRAWINGS. USE IN CONJUNCTION WITH THOSE DRAWINGS.

1 - HANDLING, STORING AND PROTECTING ALUMINUM MATERIAL.

THE FOLLOWING PRECAUTIONS ARE RECOMMENDED TO ASSURE EARLY ACCEPTANCE OF YOUR PRODUCTS AND WORKMANSHIP.

A - HANDLE CAREFULLY - DO NOT DROP FROM THE TRUCK. STACK WITH ADEQUATE SEPARATION SO MATERIAL WILL NOT RUB TOGETHER. STORE OFF THE GROUND. PROTECT AGAINST ELEMENTS AND OTHER CONSTRUCTION TRADES.

B - KEEP MATERIAL AWAY FROM WATER, MUD AND SPRAY - PREVENT CEMENT, PLASTER AND OTHER MATERIALS FROM DAMAGING THE FINISH.

C - PROTECT THE MATERIALS AFTER ERECTION, BY WRAPPING WITH KRAFT PAPER - OR BY ERECTING VISQUEEN/CANVAS SPLATTER SCREENS. CEMENT, PLASTER, TERRAZZO AND OTHER ALKALINE MATERIALS ARE VERY HARMFUL TO THE FINISH AND SHOULD BE REMOVED WITH WATER AND MILD SOAP BEFORE SETTING OCCURS. UNDER NO CIRCUMSTANCES ALLOW THESE MATERIALS TO DRY OR PERMANENT STAINING WILL OCCUR.

2 - GENERAL RULES

THE FOLLOWING PRACTICES ARE RECOMMENDED FOR ALL WALL INSTALLATIONS.

A - READ COMPLETE INSTRUCTIONS BEFORE ORDERING GLASS OR FABRICATING MATERIAL.

B - CHECK SHOP DRAWINGS TO BECOME THOROUGHLY FAMILIAR WITH THE JOB.

C - ALL MATERIALS ARE TO BE INSTALLED PLUMB, LEVEL AND TRUE.

D - ALL WORK SHOULD START FROM ESTABLISHED BENCH MARKS AND COLUMN CENTER LINES ESTABLISHED BY THE ARCHITECTURAL DRAWINGS AND THE GENERAL CONTRACTOR.

E - THE SEQUENCE OF ERECTION SHOULD BE COORDINATED WITH THE JOB SUPERINTENDENT SO DELAYS ARE PREVENTED AND RISK OF MATERIAL DAMAGE IS MINIMIZED. IF PRESETTING OF ANCHORAGE IS REQUIRED, COORDINATE WITH GENERAL CONTRACTOR AND SUPERVISE LOCATION.

F - MAKE CERTAIN CONSTRUCTION WHICH WILL RECEIVE YOUR MATERIALS IS ACCORDING TO THE CONTRACT DOCUMENTS. IF NOT, NOTIFY THE GENERAL CONTRACTOR IN WRITING AND RESOLVE DIFFERENCES BEFORE PROCEEDING WITH YOUR WORK.

G - INSULATE ALL ALUMINUM TO BE PLACED DIRECTLY IN CONTACT WITH THE MASONRY OR INCOMPATIBLE MATERIALS WITH A HEAVY COAT OF ZINC CHROMATE OR BITUMINOUS PAINT.

H - FOLLOW KAWNEER INSTALLATION AND GLAZING INSTRUCTIONS.

J - CHECK ALL MATERIAL ON ARRIVAL FOR QUANTITY.

K - BE SURE TO HAVE ALL THE MATERIALS AND TOOLS NEEDED TO BEGIN THE INSTALLATION.

- 1 - APPROVED SHOP DRAWINGS
- 2 - LEVEL AND PLUMB (TRANSIT)
- 3 - FASTENERS AND REQUIRED DRIVERS.
- 4 - PERIMETERS AND ACCESSORIES SUCH AS ANCHORS, FASTENERS, SLEEVES AND/OR SPLICE CAPS.
- 5 - SEALING MATERIALS.
- 6 - GLAZING MATERIALS.

L - FOLLOW SEALANT MANUFACTURER'S RECOMMENDATIONS FOR PROPER SEALANT AND APPLICATION. ALL SEALANTS AND MASTICS MUST BE COMPATIBLE WITH ALL SURFACES INCLUDING OTHER SEALANT SURFACES. WHERE REQUIRED ALL SEALANTS MUST ADHERE TO ALL SURFACES INCLUDING OTHER SEALANT SURFACES.

1600 SYSTEM⁴ NOTES

1600 SYSTEM⁴ IS AVAILABLE WITH 1" FRAMING MEMBERS WHICH ACCEPT BOTH 1" AND 1/4" INFILLS.

1600 SYSTEM⁴ IS DESIGNED AS AN INTERIOR GLAZED SYSTEM. EXTERIOR GLAZING IS A OPTION. SEE EXTERIOR GLAZING STEPS.

NOTE POSITION OF SHALLOW AND DEEP POCKET IS IMPORTANT FOR GLAZING

GLASS BITE IS 7/16" AT VERTICALS AND HORIZONTALS. GASKET SYSTEM IS DESIGNED FOR UNBANDED INSULATING UNITS ONLY. GLASS SIZES MUST BE CALCULATED FROM APPROVED SHOP DRAWINGS. GASKET ASSEMBLIES ARE PREFERRED REFERENCE SHEET #9.

UNLESS NOTED OTHERWISE, WHERE SEALANT IS CALLED FOR, ON DETAILS IN THE FOLLOWING INSTRUCTIONS, THE SEALANT IS TO BE SILICONE AS RECOMMENDED BY "DOW CORNING", "GENERAL ELECTRIC" OR "TREMCO" ONLY. ANY OTHER SEALANT TYPE USED MUST BE EQUAL AND PASS ALL COMPATIBILITY/ADHESION TESTING.

SEALANT MUST BE APPLIED PER THE SEALANT MANUFACTURER'S RECOMMENDATIONS.

AT ALL JOINT SEALS, SEALANT MUST ADHERE TO METAL, GASKETS, THERMAL BREAK AND JOINT PLUG MATERIALS. CLEAN JOINTS WITH ISOPROPYL ALCOHOL.

STEP - 1 CHECK OPENINGS

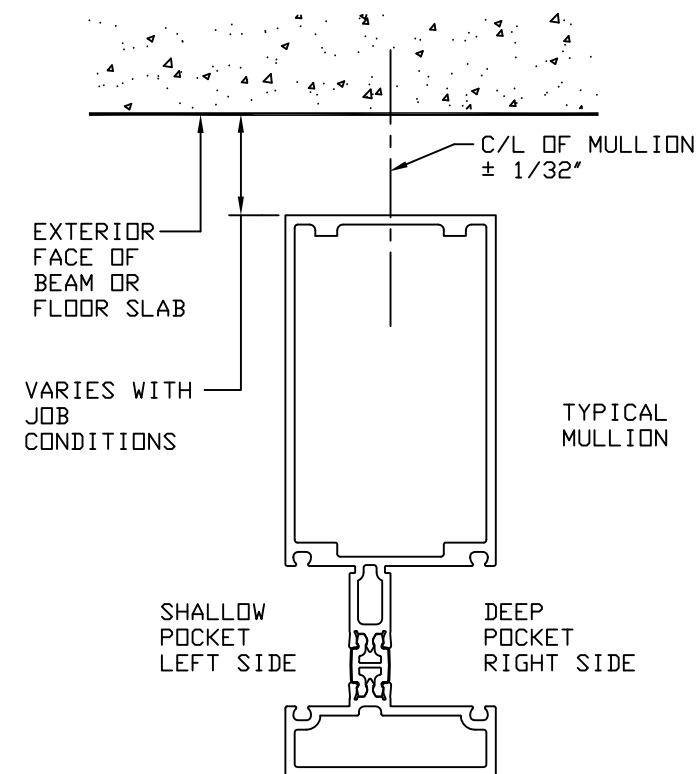
ELEVATIONS AND SLABS MUST BE WITHIN ADJUSTMENT OF ANCHORING SYSTEM. SEE APPROVED SHOP DRAWINGS FOR ALLOWABLE ADJUSTMENT.

ANCHORING SURFACES OF PERIMETER CONSTRUCTION MUST BE LEVEL AND PLUMB WITHIN THE ADJUSTMENT LIMITS OF THE HEAD, SILL AND JAMB. SEE APPROVED SHOP DRAWINGS FOR ALLOWABLE ADJUSTMENT.

STEP - 2 LAY OUT ANCHOR AND MULLION CENTERLINES

USE WALL LINES ESTABLISHED BY THE GENERAL CONTRACTOR. ON EACH FLOOR LAY OUT A REFERENCE LINE TO ESTABLISH IN AND OUT WALL LOCATIONS.

USE COLUMN CENTER LINES ESTABLISHED BY THE GENERAL CONTRACTOR. ON EACH FLOOR LAY OUT MULLION CENTER LINES AND ANCHOR CENTER LINES.



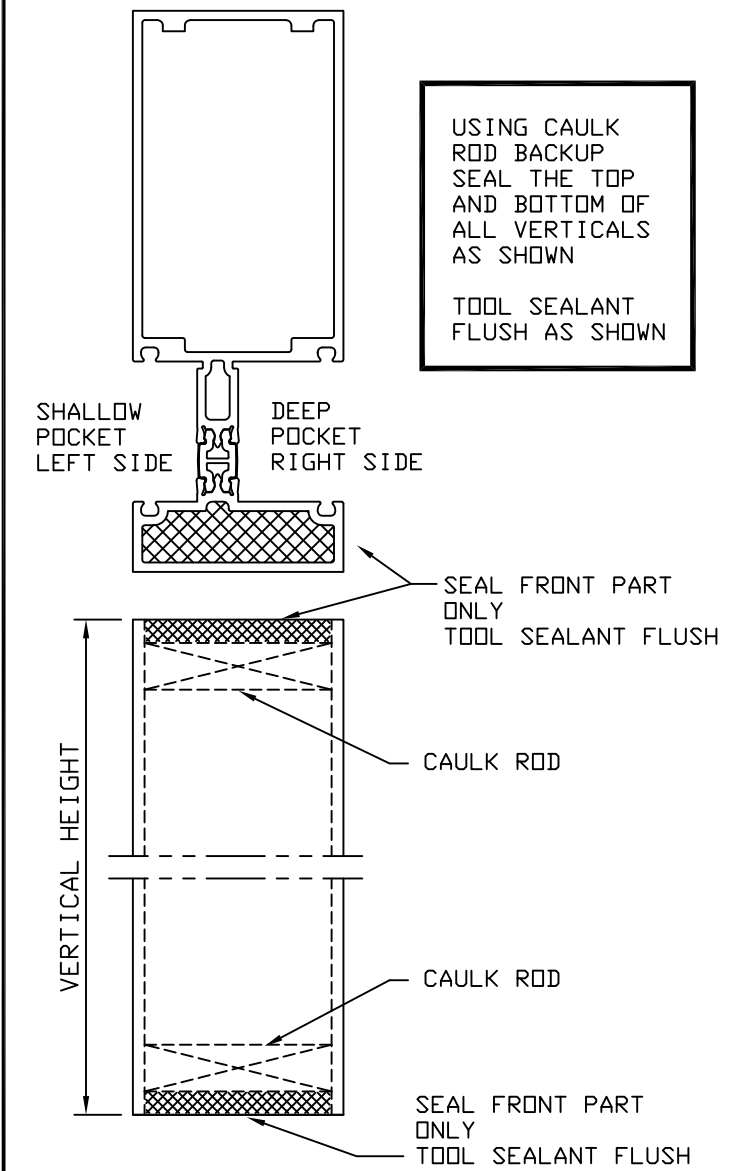
NOTE POSITION OF SHALLOW AND DEEP POCKET IS IMPORTANT FOR GLAZING

SEE APPROVED SHOP DRAWINGS FOR ANCHOR LAYOUTS

STEP - 3 INSTALL PRE-SET ANCHORS IF APPLICABLE

USING LOCATION LINES PREVIOUSLY ESTABLISHED INSTALL PRE-SET ANCHORS IN PLACE PER APPROVED SHOP DRAWINGS.

STEP - 4 FRAME ASSEMBLY



1600 SYSTEM⁴
INSTALLATION INSTRUCTIONS

PART NUMBER
164-970 1 OF 14

95468-13
08/12/98

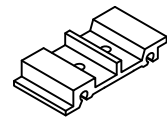
DRAWING:

ORDER:

SHT:

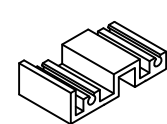
STEP - 4 FRAME ASSEMBLY

ATTACH SHEAR BLOCKS.

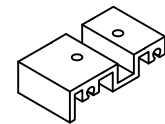


TYPICAL SHEAR BLOCKS
163-310 6" SYSTEM
163-311 7-1/2" SYSTEM
FOR INTERMEDIATE
HORIZONTALS.

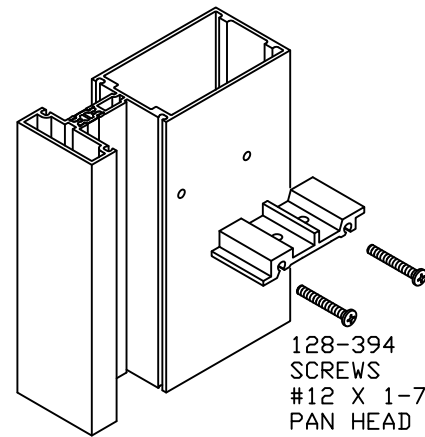
HEAD AND SILL
SHEAR BLOCKS
164-304 6" SYSTEM
164-305 7-1/2" SYSTEM



HEAD POSITION

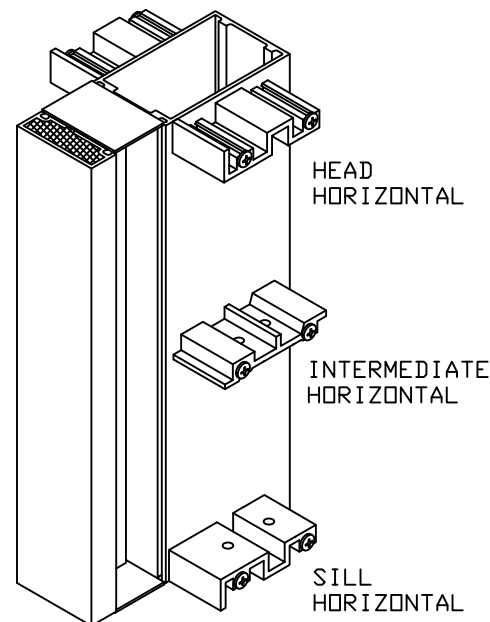


SILL POSITION



128-394
SCREWS
#12 X 1-7/8"
PAN HEAD TYPE B

SHOP
INSTALLED
HEAD AND SILL
CAPS 164-306
FOR
CONTINUATION
OF PERIMETER
SEAL



HEAD
HORIZONTAL

INTERMEDIATE
HORIZONTAL

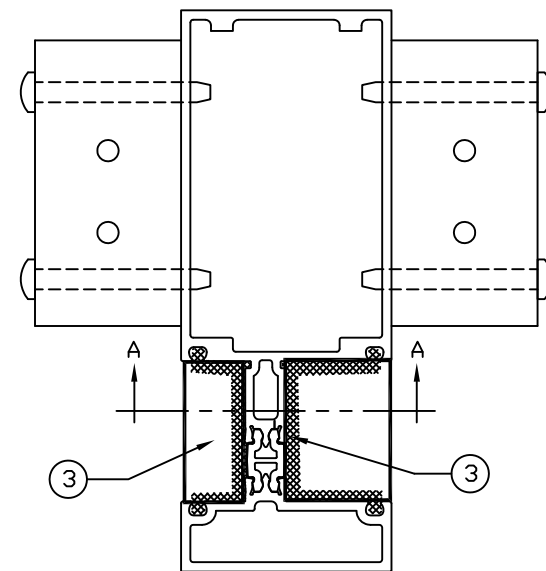
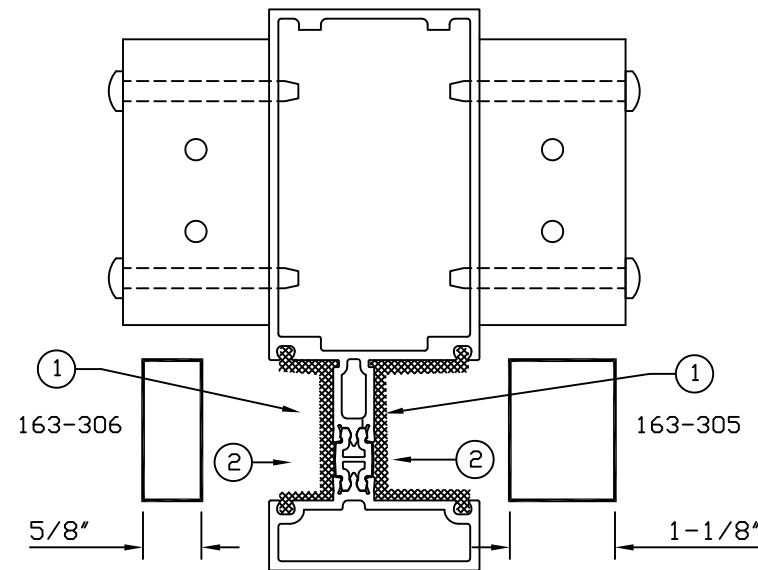
SILL
HORIZONTAL

STEP - 4 FRAME ASSEMBLY

INSTALL JOINT PLUGS.

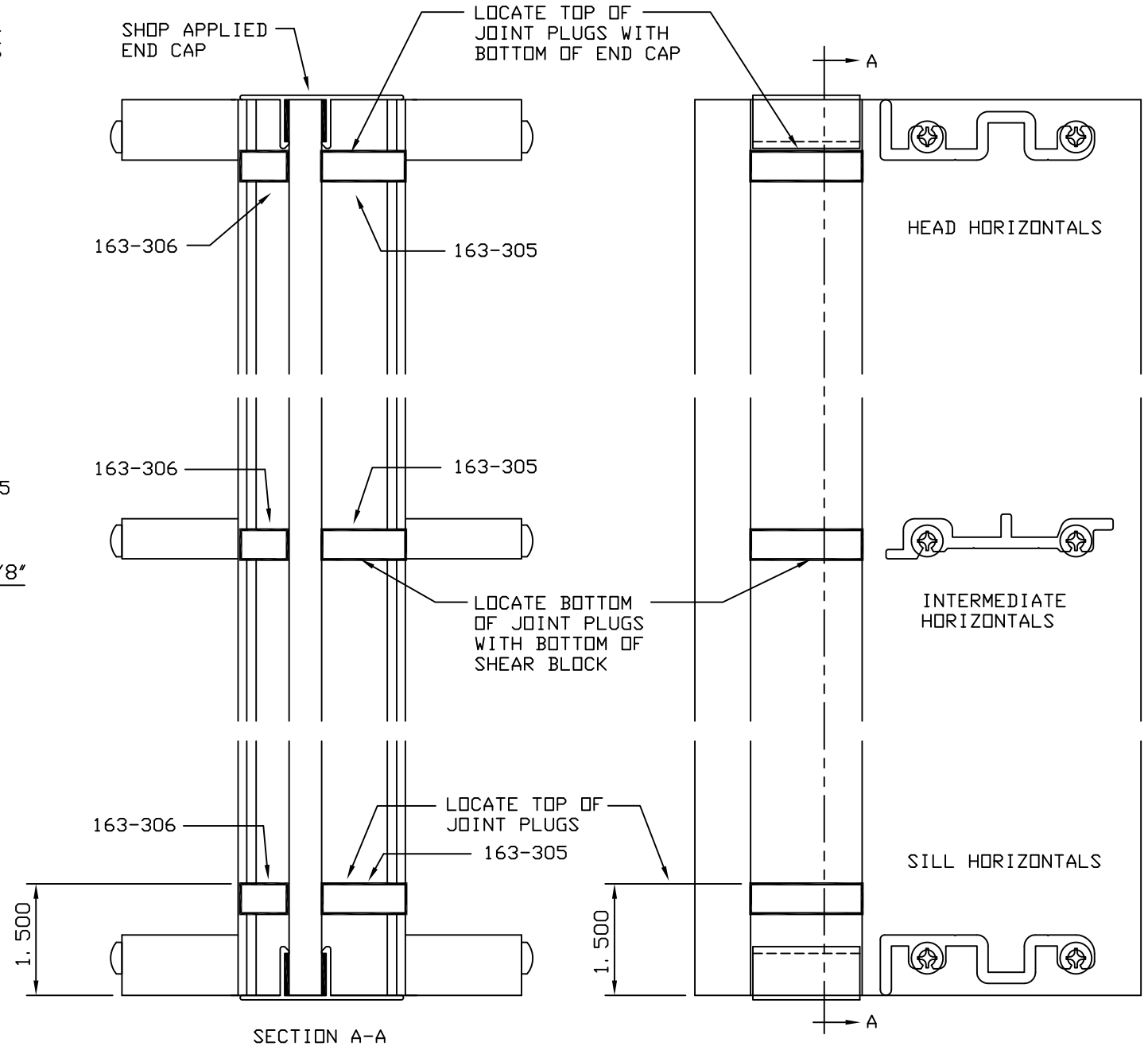
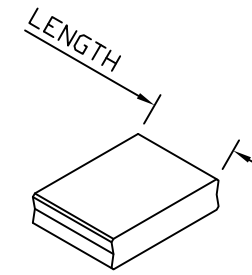
NOTE JOINT PLUG LOCATIONS

- ① APPLY SEALANT AT JOINT PLUG LOCATIONS FILLING GASKET POCKETS AND GROOVES
- ② INSTALL JOINT PLUGS INTO SEALANT
- ③ TOOL EXCESS SEALANT THE JOINT WILL BE COMPLETELY SEALED DURING A LATER STEP



JOINT PLUG 163-305
LENGTH 1-1/8" FOR
DEEP POCKET

JOINT PLUG 163-306
LENGTH 5/8" FOR
SHALLOW POCKET



<p>1600 SYSTEM⁴ INSTALLATION INSTRUCTIONS</p> <p>PART NUMBER 164-970 2 OF 14</p>	95468-07 05/23/97
	DRAWING:
	ORDER:
	SHT:

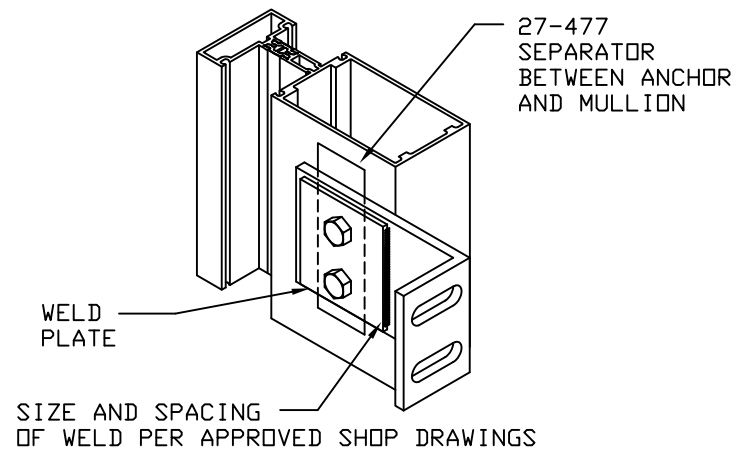
STEP - 4 FRAME ASSEMBLY

ATTACH ANCHORS TO MULLIONS WHERE APPLICABLE.

ANCHOR PREP MAY BE FABRICATED IN THE FIELD OR FACTORY. CONSULT APPROVED SHOP DRAWINGS FOR CORRECT METHOD.

STANDARD ANCHOR PREP IS THRU-BOLTED AT INTERMEDIATE VERTICALS AND NUTSERTS AT MOST JAMB VERTICALS. REFER TO APPROVED SHOP DRAWINGS FOR CORRECT METHOD.

WHEN WELDING ANCHORS, PROTECT INSTALLED GLASS AND METAL FROM WELD SPLATTER.

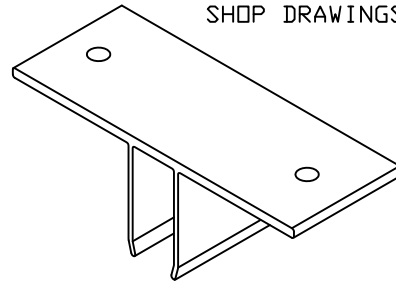


DO NOT OVERTIGHTEN ANCHOR CONNECTIONS. TIGHTEN TO A "SNUG TIGHT" POSITION WITH PARTS BROUGHT INTO GOOD CONTACT. BE SURE ANY SPRING TYPE LOCK WASHERS ARE COMPRESSED. THEN TIGHTEN APPROXIMATELY 1/2 MORE TURN.

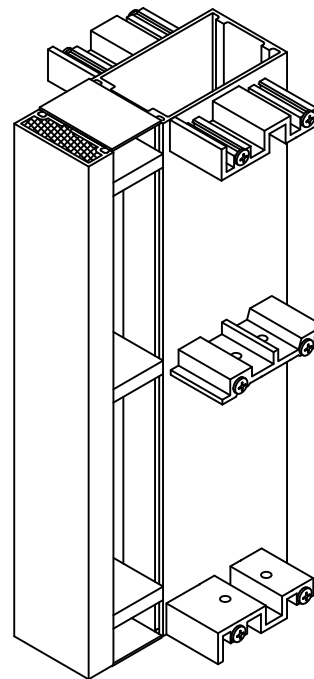
STEP - 5 INSTALL VERTICAL MULLIONS

"F" OR "T" ANCHORS WHERE APPLICABLE

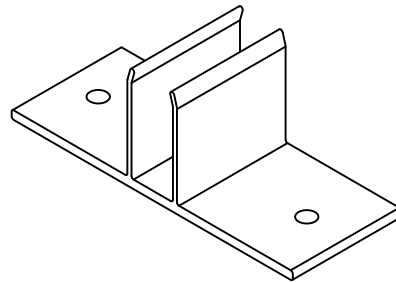
"F" AND "T" ANCHOR FASTENER LOCATIONS PER APPROVED SHOP DRAWINGS



HEAD AND SILL SHEAR BLOCKS MAY NEED TO BE REMOVED TO INSTALL AN ANCHOR FASTENER THAT MIGHT BE LOCATED CLOSE TO THE MULLION

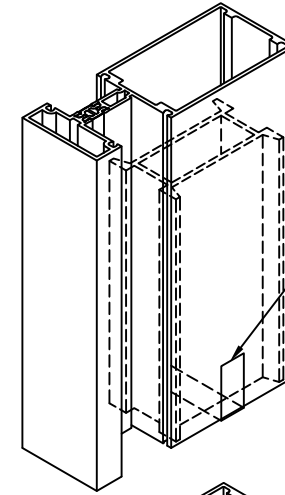


"F" OR "T" ANCHORS WHERE APPLICABLE



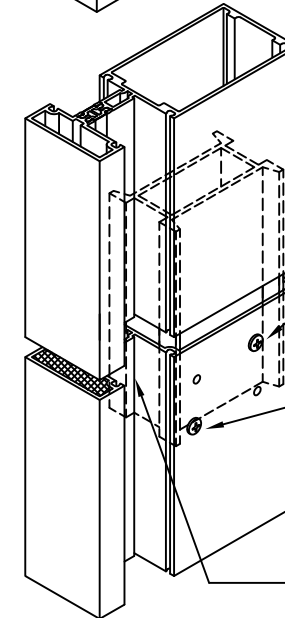
STEP - 5 INSTALL VERTICAL MULLIONS

VERTICAL SPLICE JOINTS WHERE APPLICABLE.



SLEEVE IS FACTORY TAPPED INTO THE BOTTOM OF THE TOP VERTICAL.

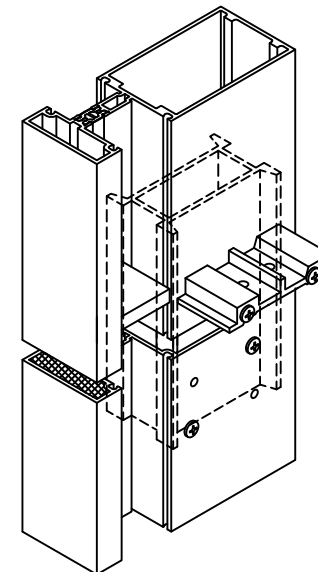
REMOVE THE TAPE AND LET THE SLEEVE SLIDE DOWN TO THE FACTORY APPLIED STOP SCREW



FIELD APPLIED FIXING SCREW 128-348 #10 X 1-1/4" FLAT HEAD SELF DRILLING

SHOP APPLIED STOP SCREW 128-267 #12 X 1" PAN HEAD TYPE AB

USE TEMPORARY SPACERS FOR JOINT DIMENSION

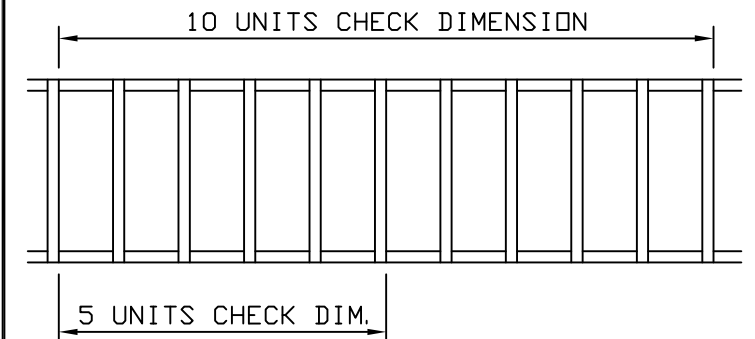


SPLICE JOINT WHEN IT OCCURS AT A HORIZONTAL.

STEP - 5 INSTALL VERTICAL MULLIONS

DIMENSION BUILD-UP CHECK

CHECK OVERALL FRAME DIMENSIONS ABOUT EVERY FIVE MULLIONS ON LONG RUNS. THIS IS TO AVOID DIMENSION BUILD-UP.

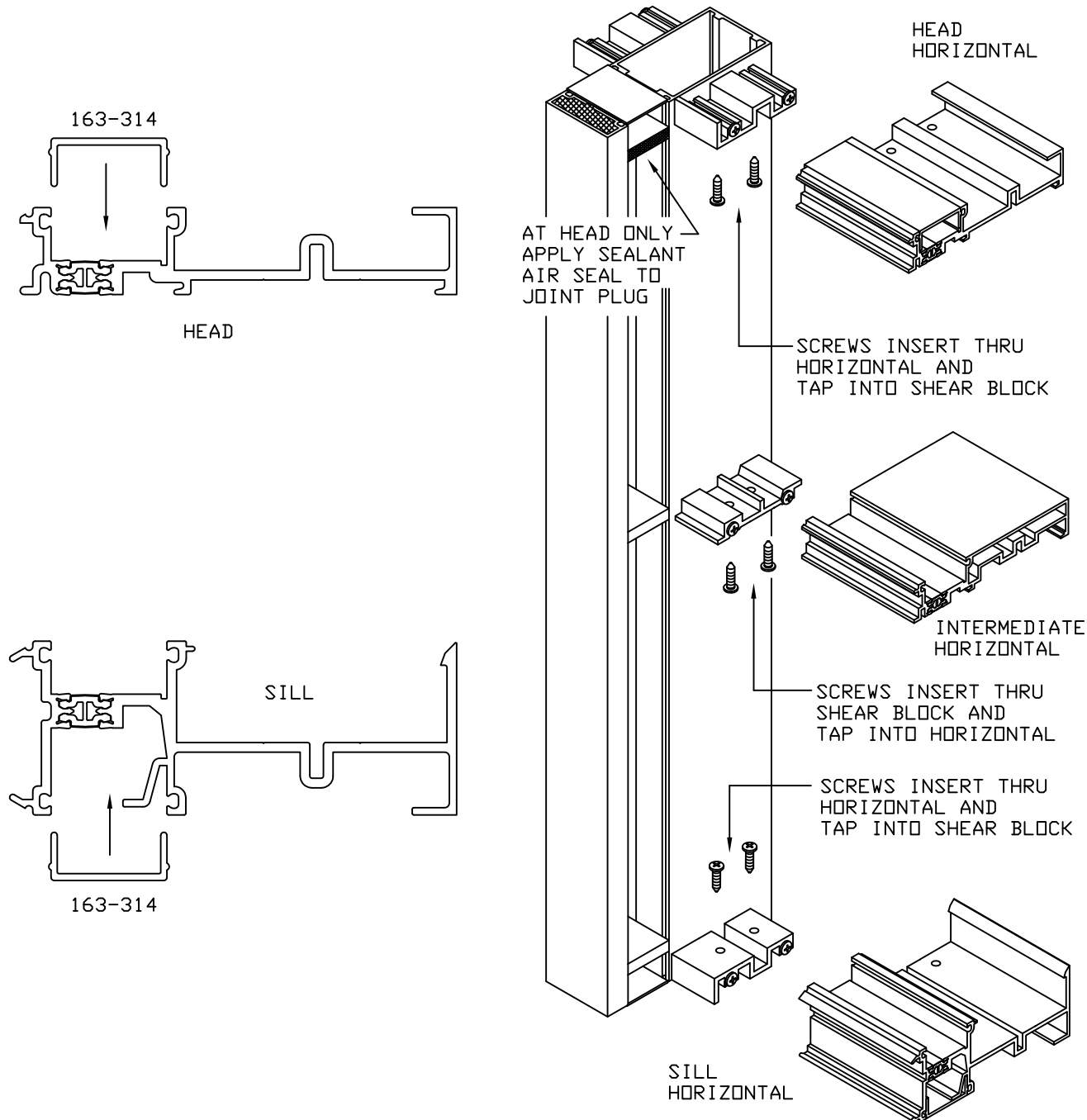


<p>1600 SYSTEM⁴ INSTALLATION INSTRUCTIONS</p> <p>PART NUMBER 164-970 3 OF 14</p>	95468 09/12/96
	DRAWING:
	ORDER:
	SHT:

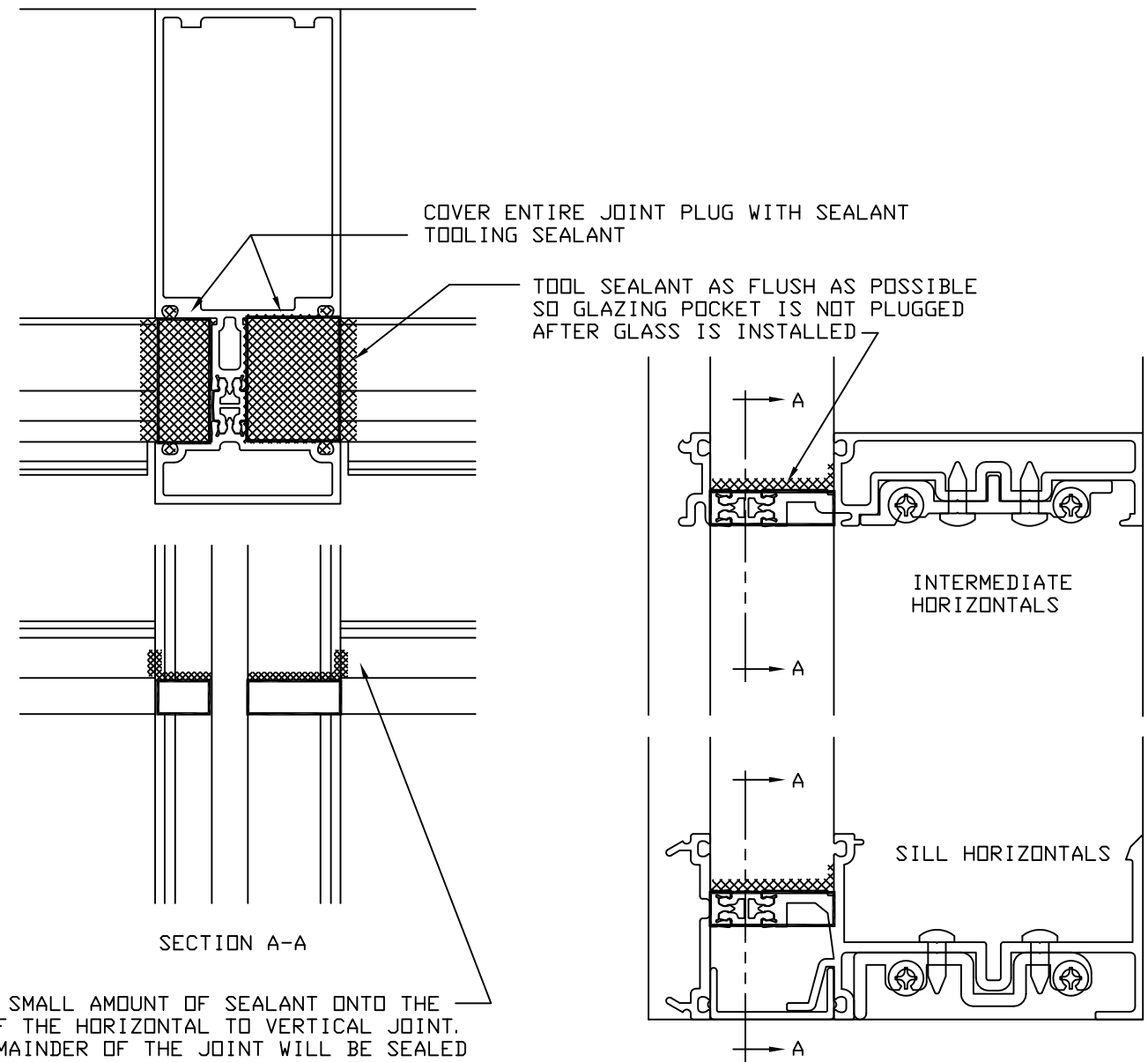
STEP - 6 INSTALL HEAD/SILL AND INTERMEDIATE HORIZONTALS

INSTALL 163-314 COMPOSITE THERMAL PERIMETER FILLERS SAME LENGTH AS HORIZONTALS

INSTALL HORIZONTALS WITH 128-293 SCREWS AS SHOWN #12 X 5/8 PAN HEAD TYPE AB



STEP - 7 SEAL JOINT PLUGS

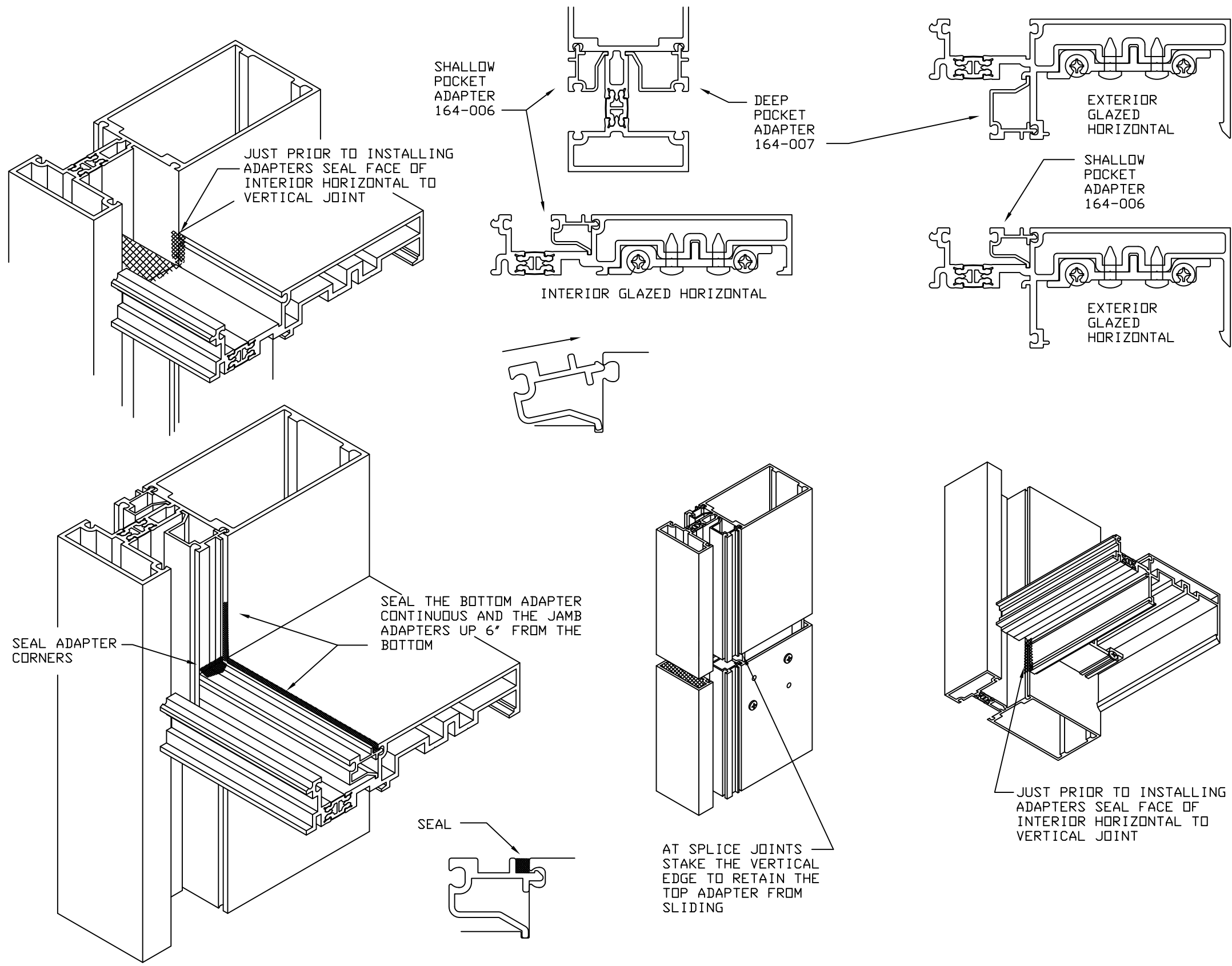


TOOL A SMALL AMOUNT OF SEALANT ONTO THE FACE OF THE HORIZONTAL TO VERTICAL JOINT. THE REMAINDER OF THE JOINT WILL BE SEALED WHEN THE GLAZING GASKETS ARE INSTALLED.

<p>1600 SYSTEM⁴ INSTALLATION INSTRUCTIONS</p> <p>PART NUMBER 164-970 4 OF 14</p>	95468-03 11/20/96
	DRAWING:
	ORDER:
	SHT:

STEP - 8 INSTALL SPANDREL ADAPTERS

INSTALL VERTICAL ADAPTERS FIRST



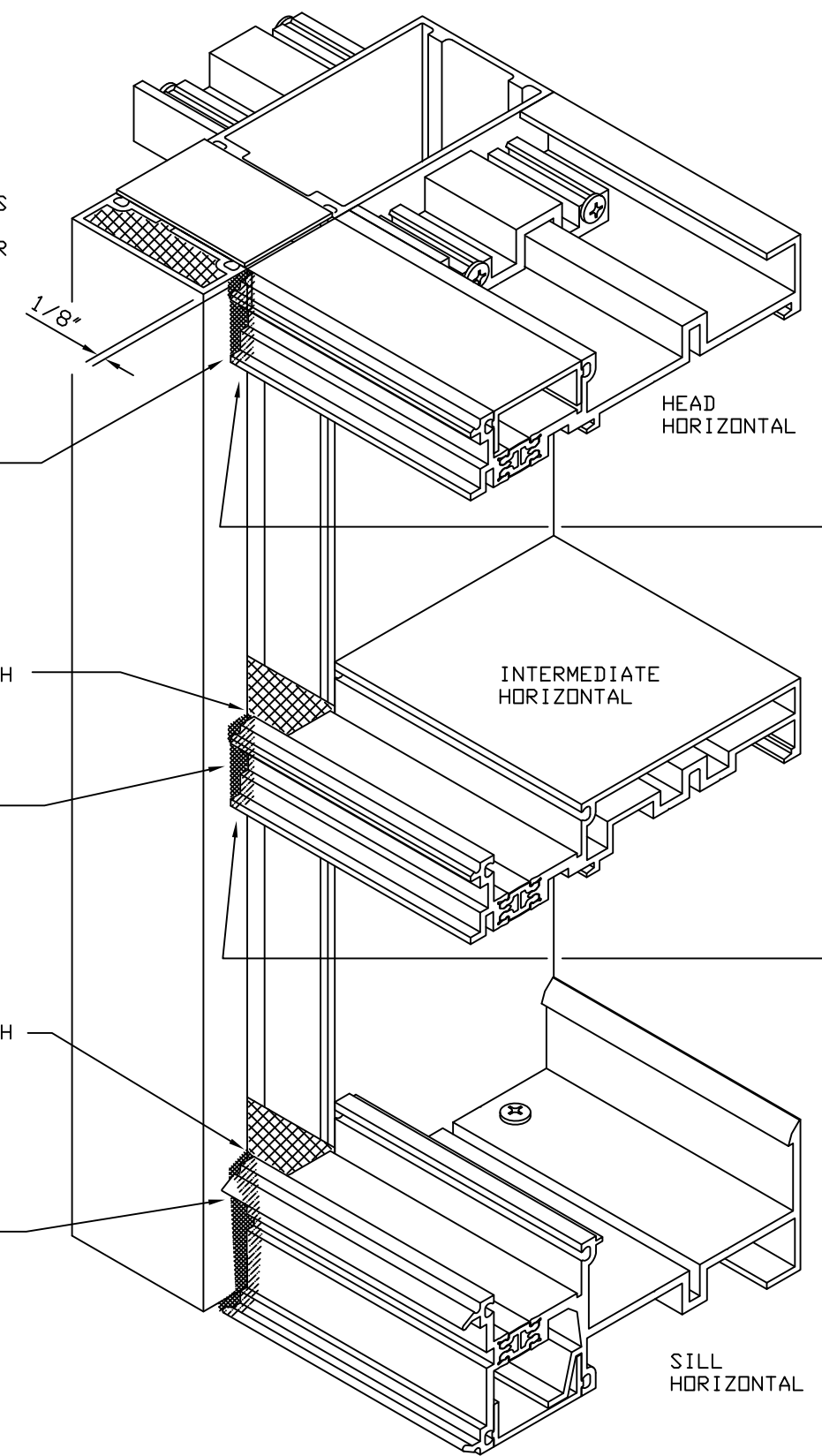
AFTER COMPLETING STEP - 8
 AND IF EXTERIOR GLAZING OCCURS
 OMIT STEP - 9
 COMPLETE STEP - 10
 COMPLETE STEP - 11
 OMIT STEP - 12
 START STEP - 13

<p>1600 SYSTEM⁴ INSTALLATION INSTRUCTIONS</p>	95468-03 11/20/96
	DRAWING:
	ORDER:
	PART NUMBER 164-970 5 OF 14

**STEP - 9 SEAL EXTERIOR OF HORIZONTAL TO VERTICAL AND
INSTALL EXTERIOR COVERS AT INTERIOR GLAZING**

NOTE - IT IS IMPORTANT TO INSTALL THE COVERS AND MAKE THE SEAL AT THE SAME TIME. CURED SEALANT WILL INTERFERE WITH COVER INSTALLATION

HORIZONTAL FACE IS NOTCHED 1/8" TO CREATE A JOINT FOR SEALANT



COMPETELY SEAL- FILLING THE JOINT SO SEALANT COMES IN CONTACT WITH THE JOINT PLUG SEAL TOOL SEALANT

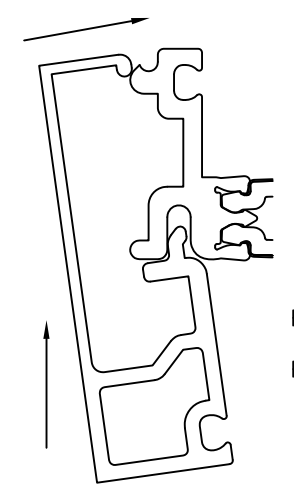
AT INTERIOR GASKET SIDE OF JOINT TOOL SEALANT FLUSH SO IT WILL NOT INTERFERE WITH GASKETS

COMPETELY SEAL- FILLING THE JOINT SO SEALANT COMES IN CONTACT WITH THE JOINT PLUG SEAL TOOL SEALANT

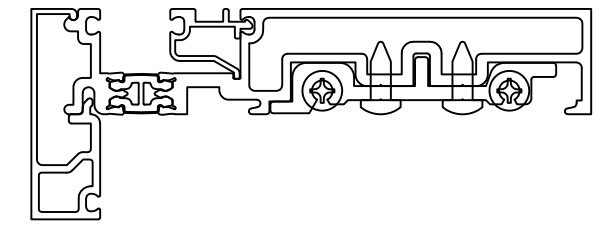
AT INTERIOR GASKET SIDE OF JOINT TOOL SEALANT FLUSH SO IT WILL NOT INTERFERE WITH GASKETS

COMPETELY SEAL- FILLING THE JOINT SO SEALANT COMES IN CONTACT WITH THE JOINT PLUG SEAL TOOL SEALANT

INSTALL COVERS AS SHOWN HOOKING THE BOTTOM AND SNAPPING ONTO THE TOP

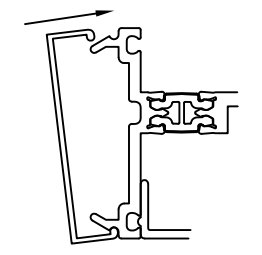


HEAD AND INTERMEDIATE HORIZONTALS

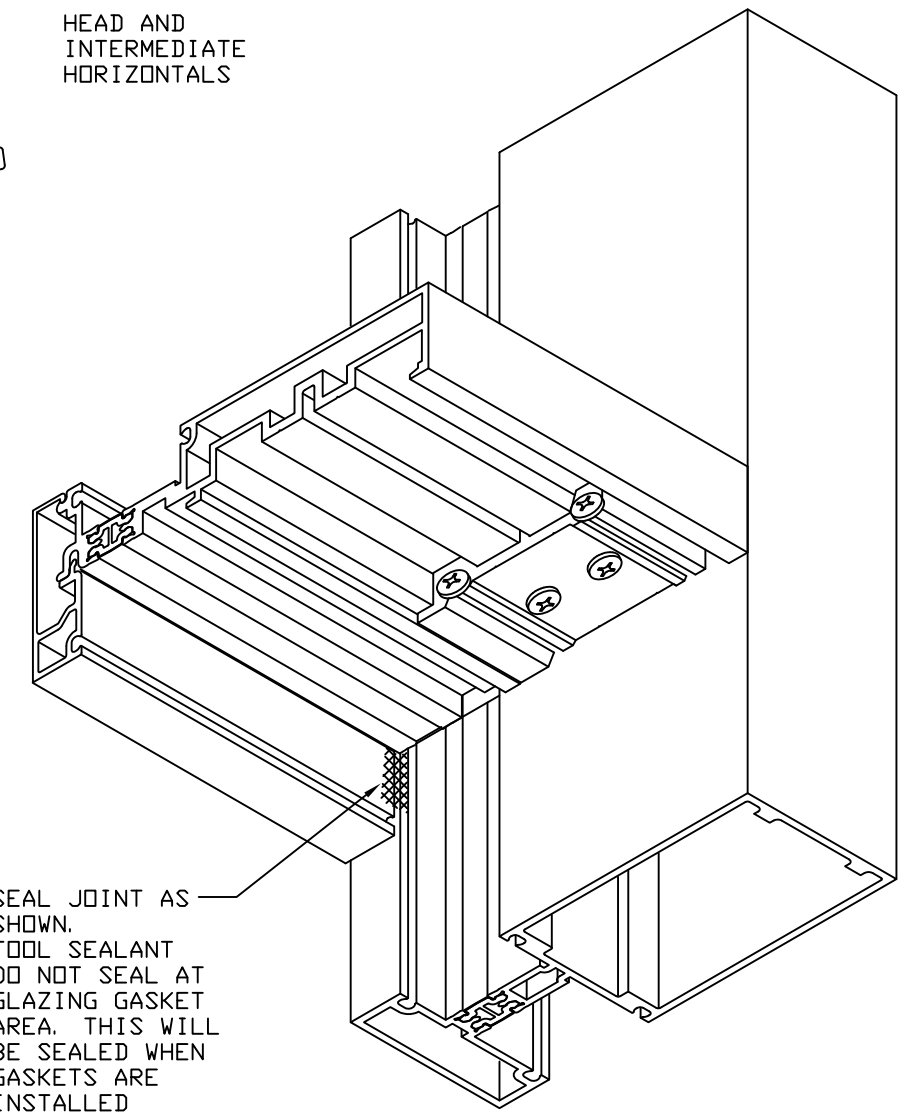


NOTE
FOR ABOUT 1" AT EACH END APPLY SEALANT TO COVER ENGAGEMENT GROOVE

COVER AT SILL HORIZONTAL



SEAL JOINT AS SHOWN. TOOL SEALANT DO NOT SEAL AT GLAZING GASKET AREA. THIS WILL BE SEALED WHEN GASKETS ARE INSTALLED



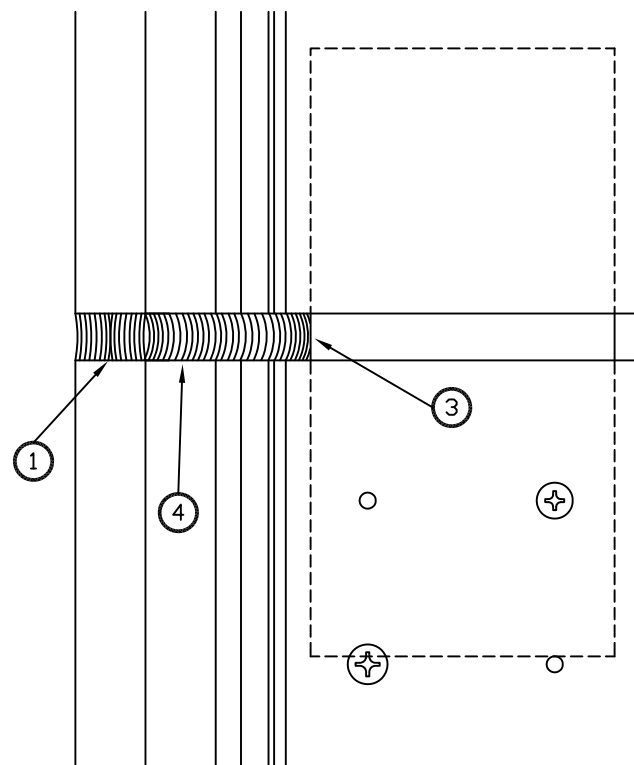
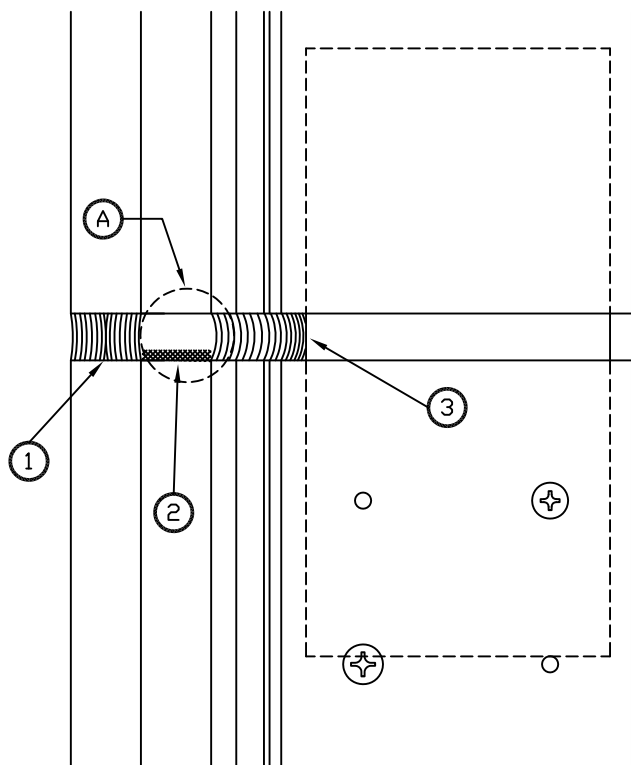
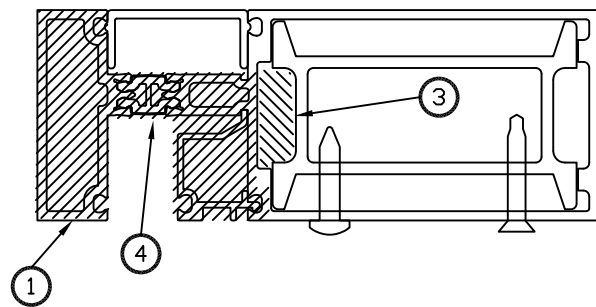
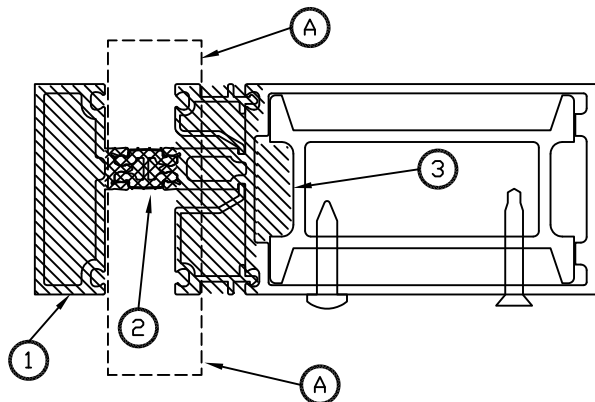
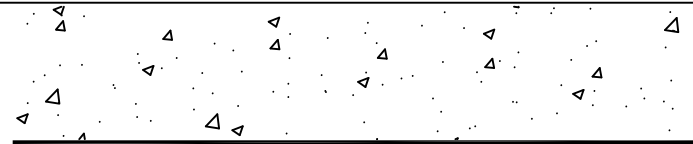
<p>Kawneer 1600 SYSTEM⁴ INSTALLATION INSTRUCTIONS</p>	<p>95468-03 11/20/96</p>
	<p>DRAWING:</p>
	<p>ORDER:</p>
	<p>SHT:</p>
<p>PART NUMBER 164-970 6 OF 14</p>	

STEP - 10 SEAL VERTICAL SPLICE JOINT

- ① SEAL EXTERIOR PART OF SPLICE JOINT.
- ② SEAL TOP OF LOWER VERTICAL AT GLAZING POCKET WEB.
- ③ SEAL INTERIOR JOINT AND ADAPTERS. APPLY BOND BREAKER TAPE TO VERTICAL SLEEVE
- ④ AT JAMB LOCATIONS SEAL ENTIRE JOINT AT GLAZING POCKET WEB.

CLEAN ALL JOINT SURFACES

① SUGGEST USING ABOUT A 1" DIA CAULK ROD AND WRAP IT WITH 4 MIL POLYETHYLENE PLASTIC SHEETING. INSERT AS SHOWN. USE MASKING TAPE ON METAL AND SEAL THE FRONT PART OF THE JOINT FIRST. LET THIS CURE FOR A FEW HOURS THEN REMOVE THE CAULK ROD AND PLASTIC. SOME OF THE SEALANT MAY COME OFF WITH THE ROD BUT THIS CAN BE TOUCHED UP WHEN THE REST OF THE JOINT IS SEALED. THE LONGER IT CURES THE CLEANER THE ROD WILL BE. USE MASKING TAPE WHEN SEALING REST OF JOINT.



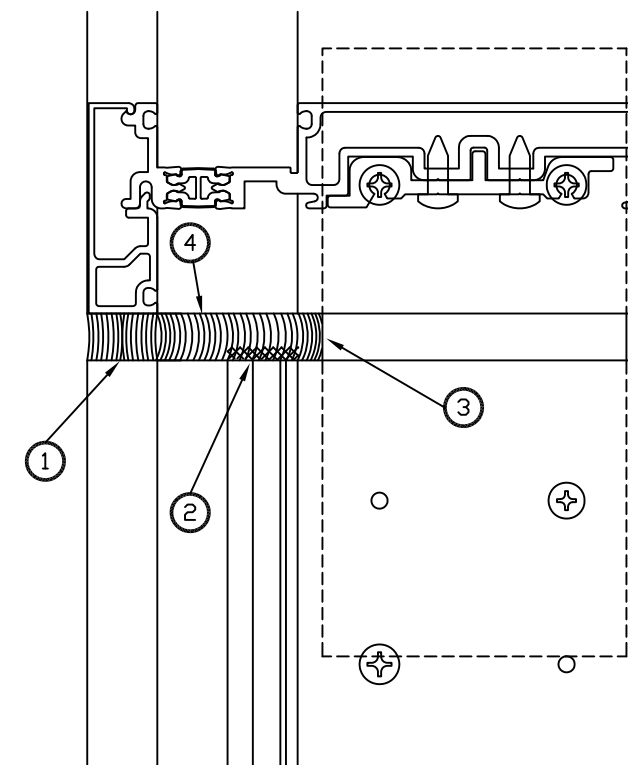
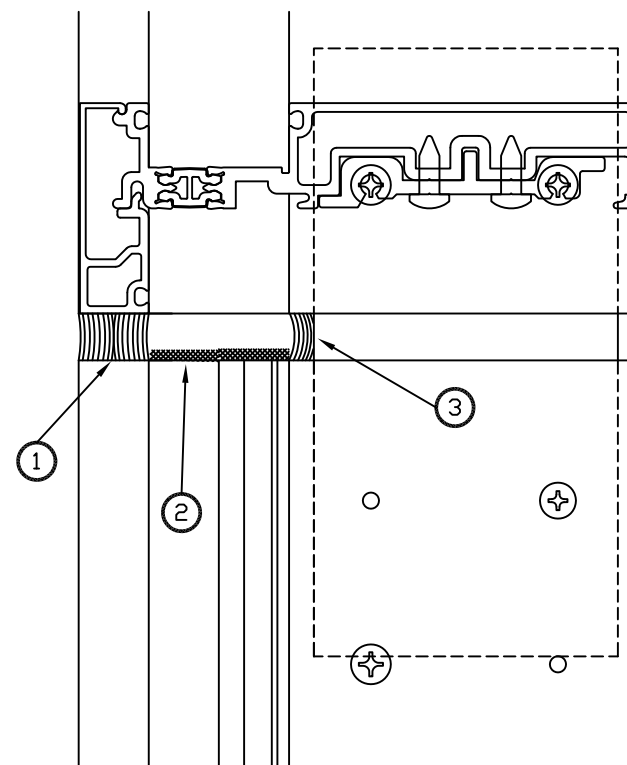
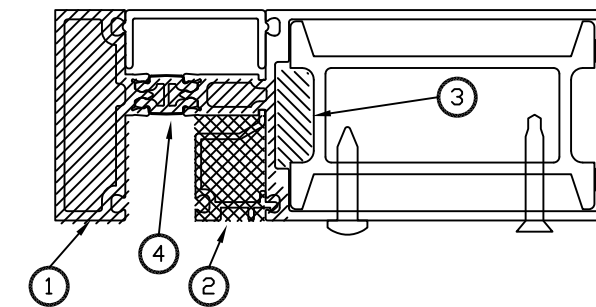
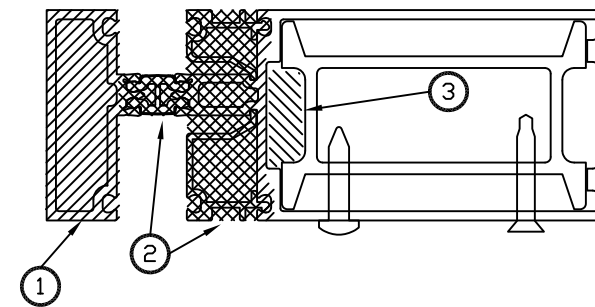
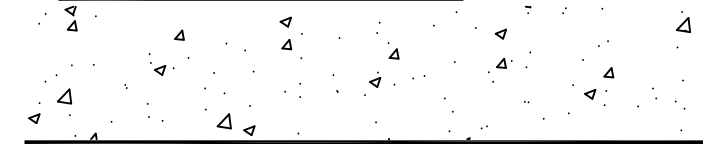
STEP - 11 SEAL VERTICAL SPLICE JOINT WHERE HORIZONTAL OCCURS

SEE NOTE ① AT STEP #11

- ① SEAL EXTERIOR PART OF SPLICE JOINT.
- ② SEAL TOP OF LOWER VERTICAL AT GLAZING POCKET WEB.
- ③ SEAL INTERIOR JOINT AND ADAPTERS. APPLY BOND BREAKER TAPE TO VERTICAL SLEEVE
- ④ AT JAMB LOCATIONS SEAL ENTIRE JOINT AT GLAZING POCKET WEB.

INTERIOR GLAZED HORIZONTALS SHOWN
EXTERIOR GLAZED HORIZONTALS SIMILAR

CLEAN ALL JOINT SURFACES



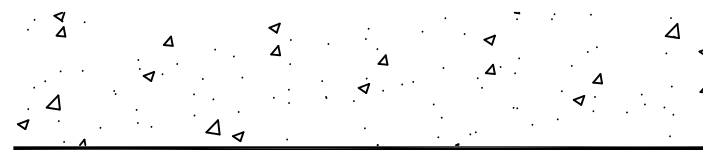
<p>1600 SYSTEM⁴ INSTALLATION INSTRUCTIONS</p> <p>PART NUMBER 164-970 7 OF 14</p>	95468-03 11/20/96
	DRAWING:
	ORDER:
	SHT:

SEAL VERTICAL SPLICE JOINT WHERE VERTICAL COVERS OCCUR

- ① SEAL EXTERIOR PART OF SPLICE JOINT.
- ② SEAL TOP OF LOWER VERTICAL AT GLAZING POCKET WEB.
- ③ SEAL INTERIOR JOINT AND ADAPTERS. APPLY BOND BREAKER TAPE TO VERTICAL SLEEVE
- ④ AT JAMB LOCATIONS SEAL ENTIRE JOINT AT GLAZING POCKET WEB.

SEE NOTE (A) AT STEP #11

CLEAN ALL JOINT SURFACES

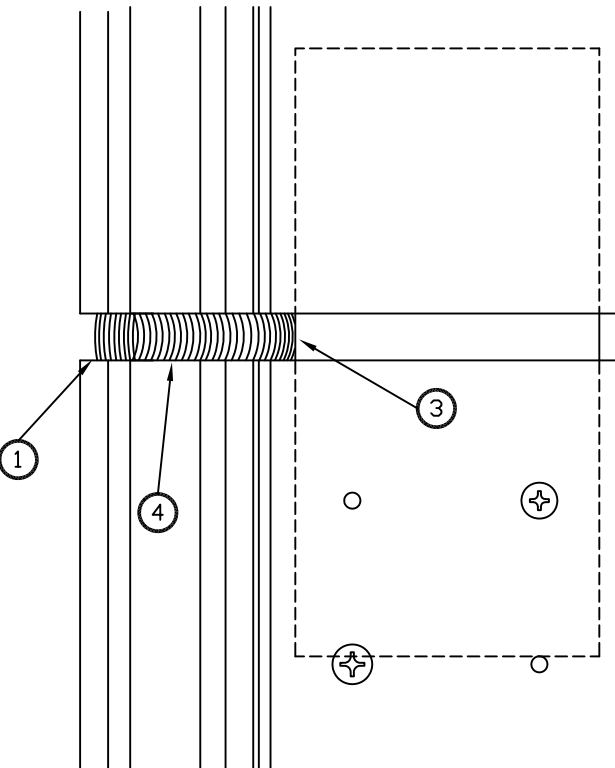
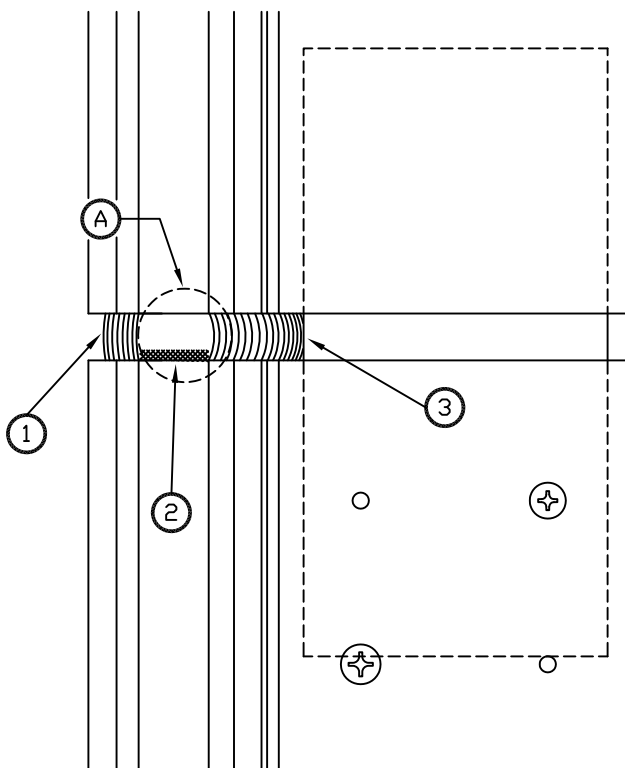
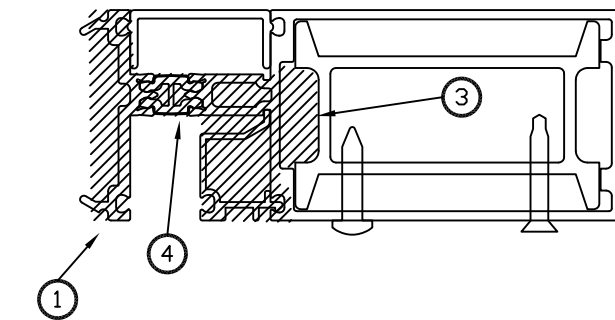
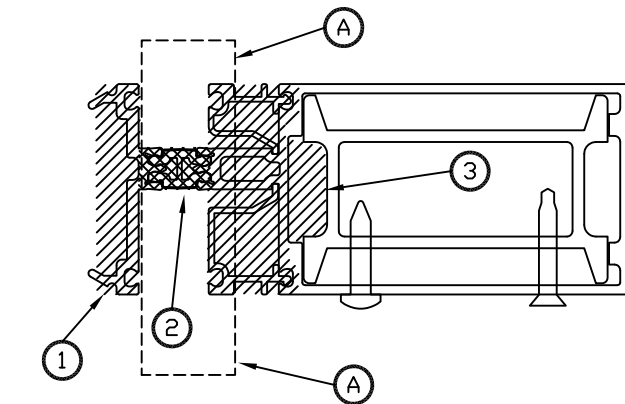
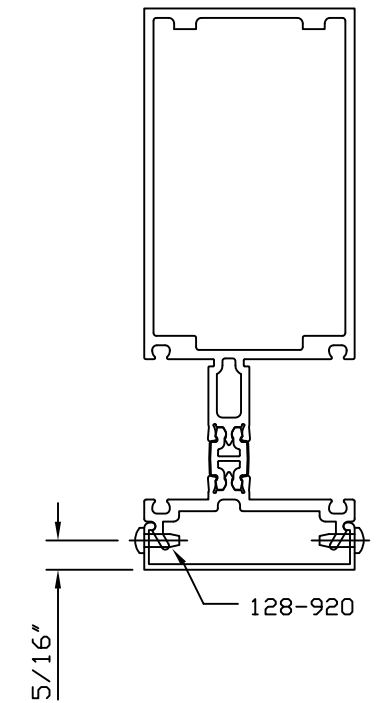
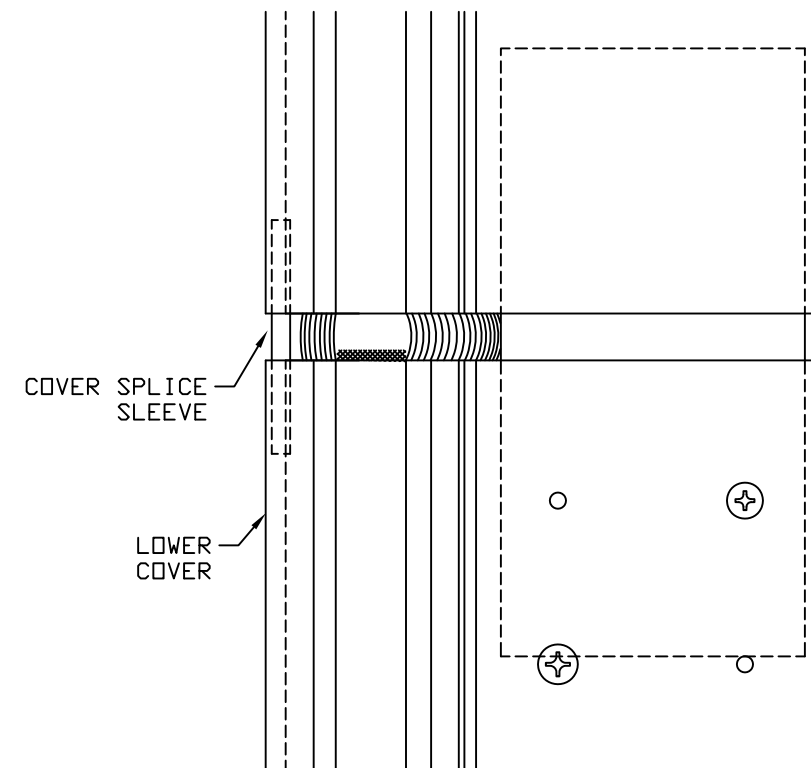
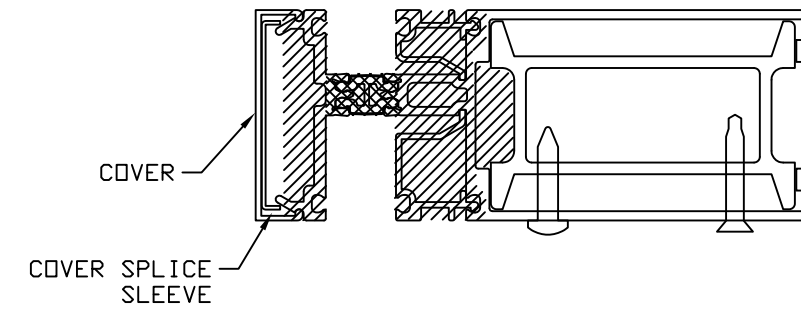


INSTALL VERTICAL COVERS

INSTALL LOWER COVER FIRST
LOWER COVER WILL HAVE A SHOP INSTALLED SPLICE SLEEVE

PINNING OF ALL VERTICAL COVERS IS REQUIRED FOR BOTH SIDES.
DRILL A .106 DIA. HOLE (#36 DRILL) AND INSTALL 128-920 SCREWS #6 X 3/8" PAN HEAD TYPE B LOCATE PINNING AT A HORIZONTAL CLOSEST TO THE COVER HEIGHT CENTER.

(ONE SIDE ONLY AT JAMBS)



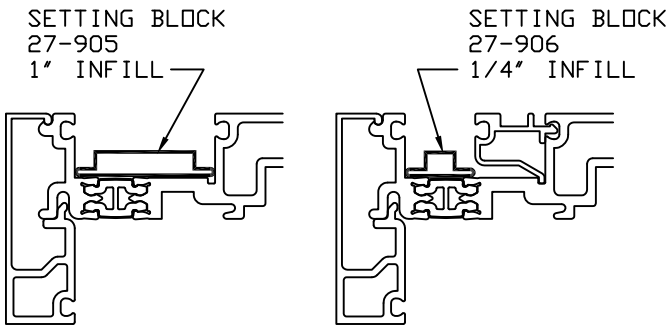
<p>1600 SYSTEM⁴ INSTALLATION INSTRUCTIONS</p> <p>PART NUMBER 164-970 8 OF 14</p>	95468 09/12/96
	DRAWING:
	ORDER:
	SHT:

STEP - 12 INTERIOR GLAZING

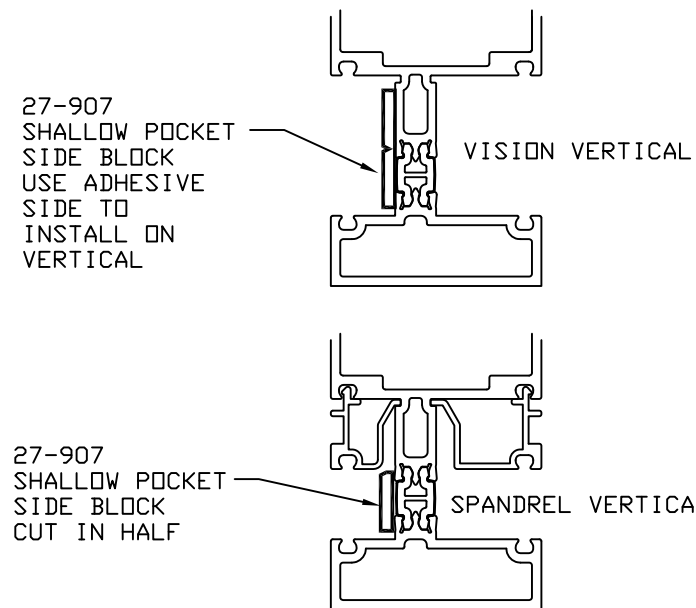
IT IS ESSENTIAL THAT ALL GUTTERS AT HORIZONTALS BE CLEANED PRIOR TO GLAZING.

THIS IS NECESSARY TO AVOID CLOGGING OF WEEP SYSTEMS AS WELL AS STAINING OF EXTERIOR METAL AND GLASS SURFACES.

INSTALL SETTING BLOCKS LOCATING PER APPROVED SHOP DRAWINGS.



INSTALL SIDE BLOCKS AT SHALLOW POCKET. LOCATE AT CENTER OF GLASS HEIGHT.



NOTE - GASKET ASSEMBLIES ARE PREFERRED IN ORDER TO MAINTAIN THE GASKET CORNERS WHEN INSTALLING THE GLASS. IF ASSEMBLIES ARE NOT USED SEAL GASKET CORNERS AND ALLOW SEALANT TO CURE SOME BEFORE INSTALLING THE GLASS.

STEP - 12 INTERIOR GLAZING

INSTALL EXTERIOR GASKET ASSEMBLIES.

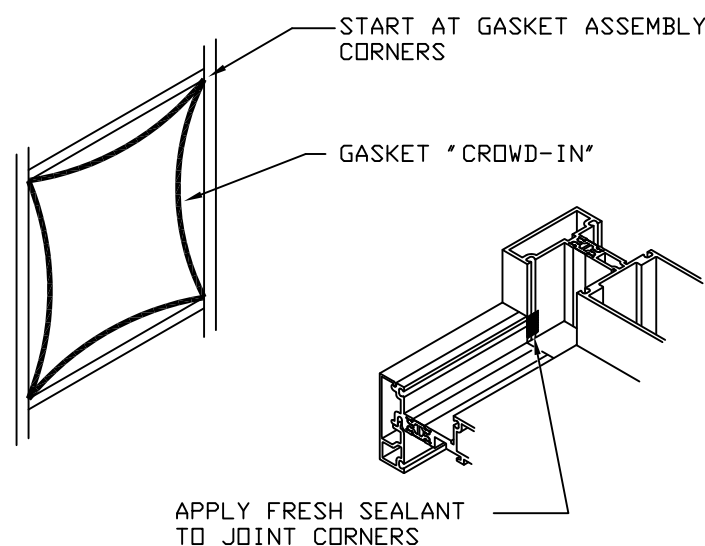
GASKET ASSEMBLIES SHOULD BE INSTALLED JUST PRIOR TO GLASS FOR AVOIDING GASKET CONTAMINATION BY JOB SITE DEBRIS.

IN TEMPERATURES COLDER THAN 50 DEGREES F. ARRANGMENTS SHOULD BE MADE TO KEEP THE GASKETS WARM UNTILL INSTALLATION OF GASKETS AND GLASS. THIS WILL AVOID EXCESSIVE GLAZING PRESSURE ON THE GLASS EDGE DUE TO COLD STIFF GASKETS.

GASKETS CAN BECOME SOMEWHAT DEFORMED DURING STORAGE IN CARTONS. REMOVE GASKETS FROM CARTONS SEVERAL HOURS PRIOR TO USE AND ALLOW TO LAY FLAT OR HANG OVER RACK. TEMPERATURES SHOULD BE AT LEAST 50 DEGREES F.

TO INSTALL GASKET ASSEMBLIES, START AT THE CORNERS AND WORK TOWARDS THE CENTER. BE SURE TO SQUARE THE CORNERS. GASKET ASSEMBLIES WILL BE SLIGHTLY LARGE FOR SOME "CROWD-IN". DO NOT STRETCH, CUT OR SPLICE GASKETS.

27-850 GASKET EXTRUSION
163-301 GASKET ASSEMBLY



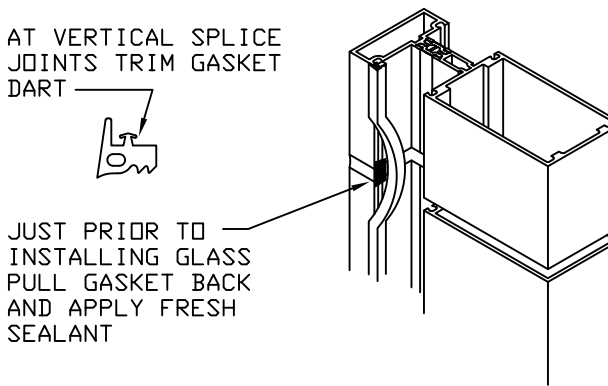
APPLY FRESH SEALANT TO JOINT CORNERS

RECOMMEND INSTALLING COMPLETE GASKET ASSEMBLY THEN PULL BACK CORNERS AND APPLY SEALANT JUST PRIOR TO INSTALLING GLASS

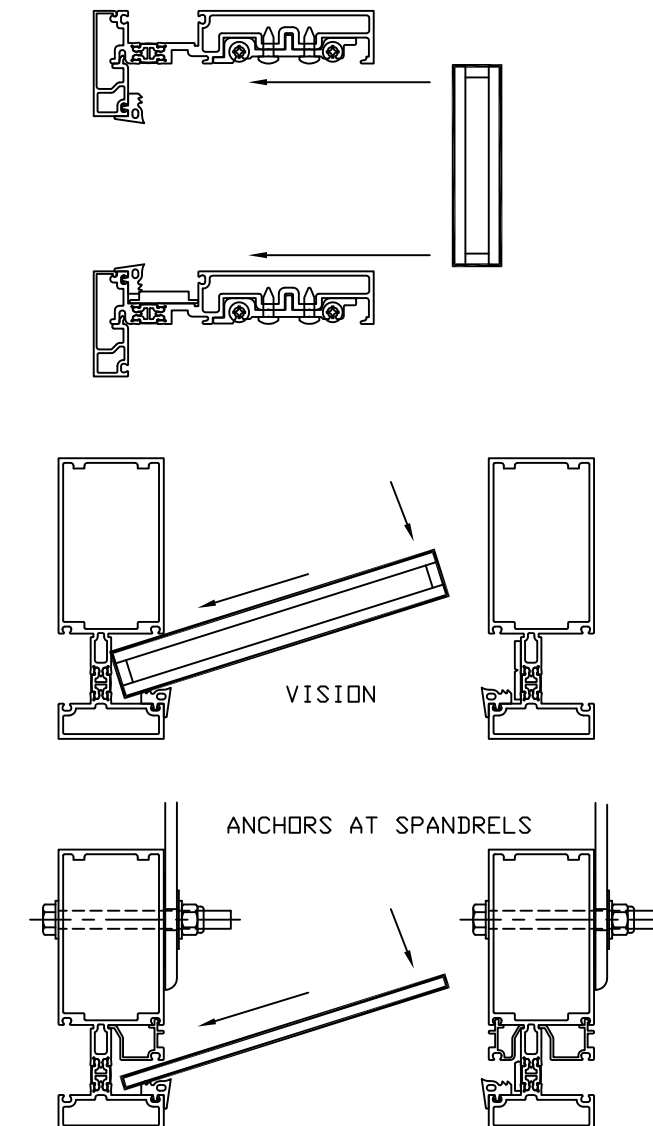
STEP - 12 INTERIOR GLAZING

AT VERTICAL SPLICE JOINTS TRIM GASKET DART

JUST PRIOR TO INSTALLING GLASS PULL GASKET BACK AND APPLY FRESH SEALANT



INSTALL GLASS LIFTING ABOVE SILL AND INSERTING INTO DEEP VERTICAL POCKET AS SHOWN.



STEP - 12 INTERIOR GLAZING

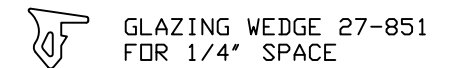
AFTER THE GLASS IS LOWERED ONTO THE SETTING BLOCKS AND CENTERED HORIZONTALLY LIFT THE GLASS SLIGHTLY AND PUSH FOWARD INTO THE EXTERIOR GASKETS.

REFERENCE - FGMA GLAZING MANUAL IN THE "GLASS SETTING" SECTION.

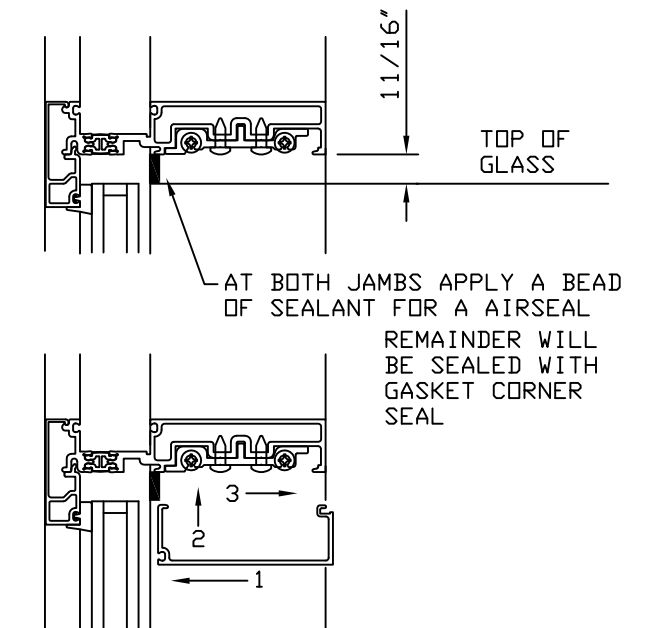
THE ABOVE WILL KEEP THE GLASS EDGE FROM DIGGING AND DEFORMING THE SETTING BLOCK. INSTALL A SHORT PIECE OF GLAZING WEDGE AT THE SETTING BLOCKS AS A TEMPORARY.

THEN INSTALL A SHORT PIECE OF GLAZING WEDGE AT THE TWO VERTICALS AS A TEMPORARY. LOCATE TOWARDS THE TOP OF THE LITE.

MAY LUBRICATE WITH WATER AS REQUIRED



INSTALL TOP INTERIOR HORIZONTAL STOPS

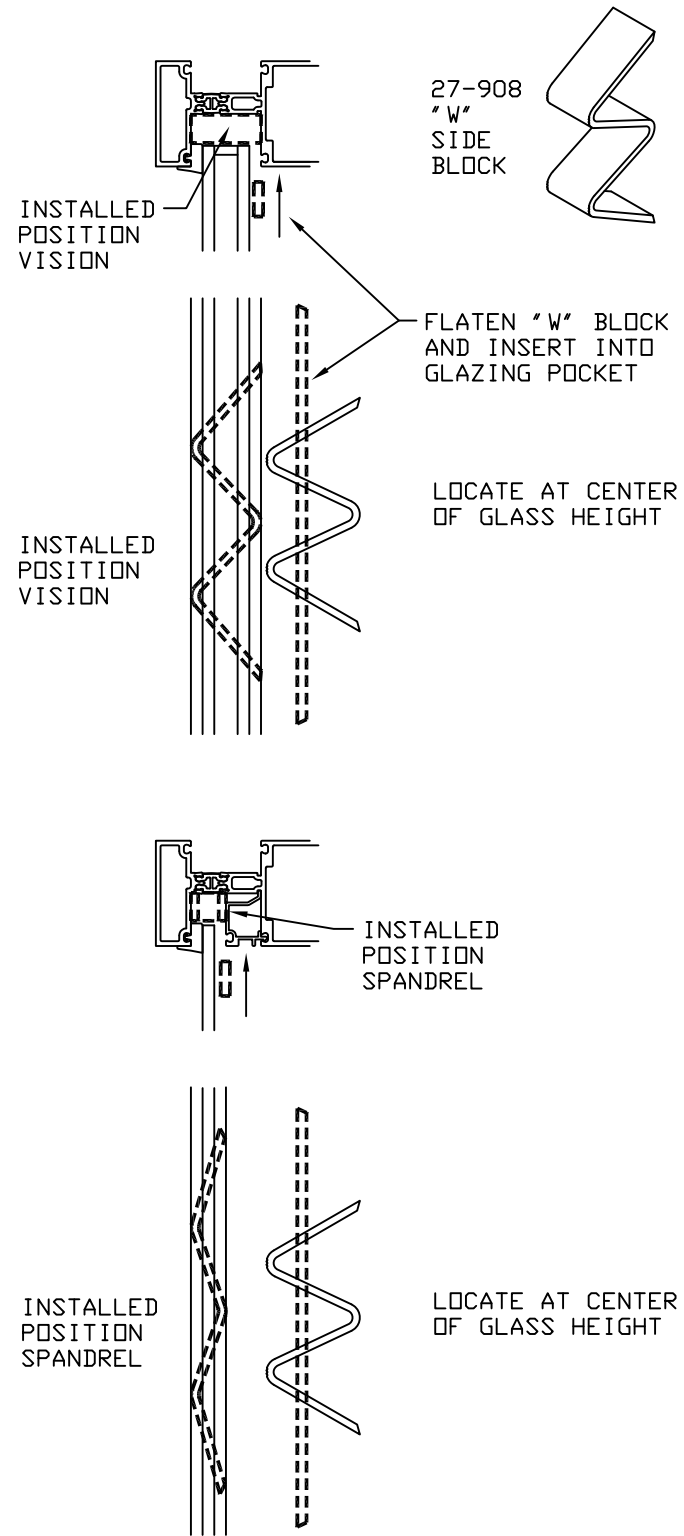


AFTER THE STOP IS INSTALLED USE GLAZING WEDGE TEMPORARIES.

<p>1600 SYSTEM⁴ INSTALLATION INSTRUCTIONS</p> <p>PART NUMBER 164-970 9 OF 14</p>	95468-12 04/03/98
	DRAWING:
	ORDER:
	SHT:

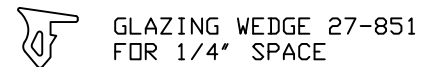
STEP - 12 INTERIOR GLAZING

INSTALL "W" SIDE BLOCKS INTO VERTICAL DEEP POCKETS.



STEP - 12 INTERIOR GLAZING

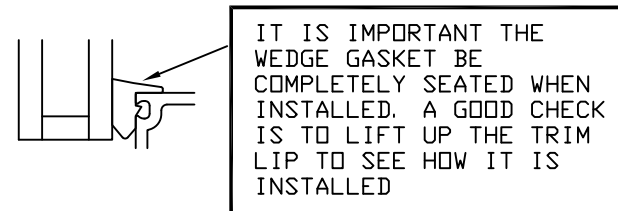
INSTALL GLAZING WEDGE GASKET



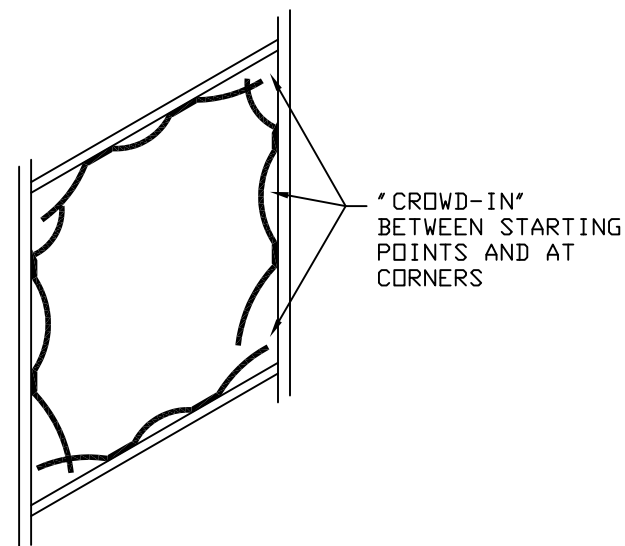
IN TEMPERATURES COLDER THAN 50 DEGREES F. ARRANGMENTS SHOULD BE MADE TO KEEP THE GASKETS WARM UNTILL INSTALLATION OF GASKETS AND GLASS. THIS WILL AVOID EXCESSIVE GLAZING PRESSURE ON THE GLASS EDGE DUE TO COLD STIFF GASKETS.

GASKETS CAN BECOME SOMEWHAT DEFORMED DURING STORAGE IN CARTONS. REMOVE GASKETS FROM CARTONS SEVERAL HOURS PRIOR TO USE AND ALLOW TO LAY FLAT OR HANG OVER RACK. TEMPRATURES SHOULD BE AT LEAST 50 DEGREES F.

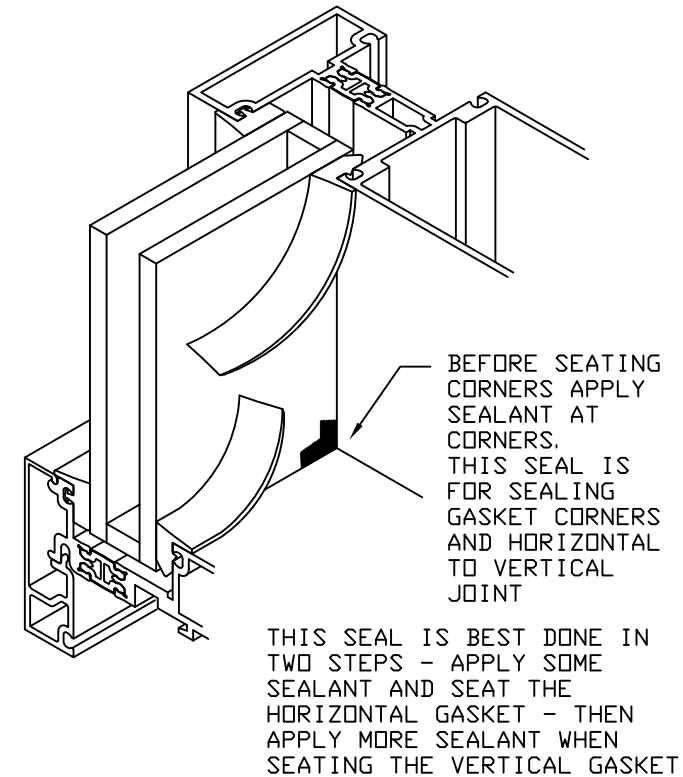
WHEN STARTING THE WEDGE GASKET THE BEST PLACE TO START IS NEAR A TEMPORARY. CUT THE WEDGE 1/8" TO 1/4" PER FOOT LONG FOR GASKET "CROWD-IN". THE "CROWD-IN" TO BE BETWEEN STARTING POINTS AND AT CORNERS. DO NOT STRECH TO FIT. CORNERS GET SEALED SEE DETAIL BELOW.



WATER MAY BE USED TO LUBRICATE WEDGE GASKET. BEFORE SEALING CORNERS WIPE GASKET AND CORNER WITH A CLEAN RAG. BEST METHOD IS TO LEAVE CORNERS OUT FOR SOME TIME TO LET WATER EVAPORATE AND WIPE CLEAN.



STEP - 12 INTERIOR GLAZING



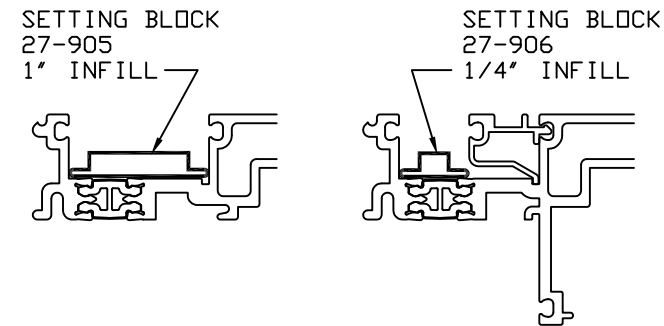
<p>1600 SYSTEM⁴ INSTALLATION INSTRUCTIONS</p> <p>PART NUMBER 164-970 10 OF 14</p>	95468-12 04/03/98
	DRAWING:
	ORDER:
	SHT:

STEP - 13 EXTERIOR GLAZING

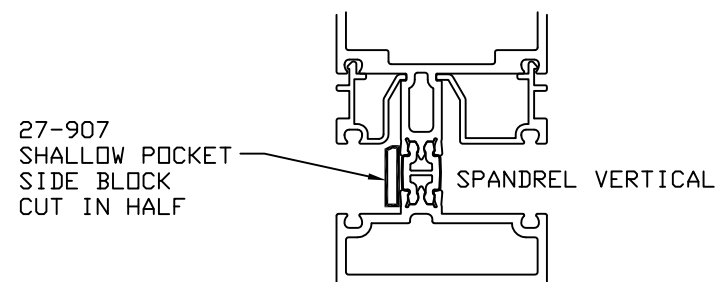
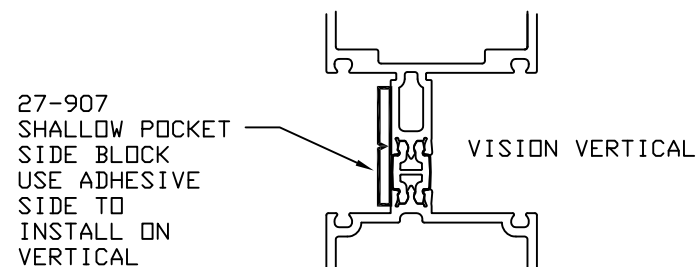
IT IS ESSENTIAL THAT ALL GUTTERS AT HORIZONTALS BE CLEANED PRIOR TO GLAZING.

THIS IS NECESSARY TO AVOID CLOGGING OF WEEP SYSTEMS AS WELL AS STAINING OF EXTERIOR METAL AND GLASS SURFACES.

INSTALL SETTING BLOCKS LOCATING PER APPROVED SHOP DRAWINGS.



INSTALL SIDE BLOCKS AT SHALLOW POCKET. LOCATE AT CENTER OF GLASS HEIGHT.



NOTE - GASKET ASSEMBLIES ARE PREFERRED IN ORDER TO MAINTAIN THE GASKET CORNERS WHEN INSTALLING THE GLASS. IF ASSEMBLIES ARE NOT USED SEAL GASKET CORNERS AND ALLOW SEALANT TO CURE SOME BEFORE INSTALLING THE GLASS.

STEP - 13 EXTERIOR GLAZING

INSTALL INTERIOR GASKET ASSEMBLIES.

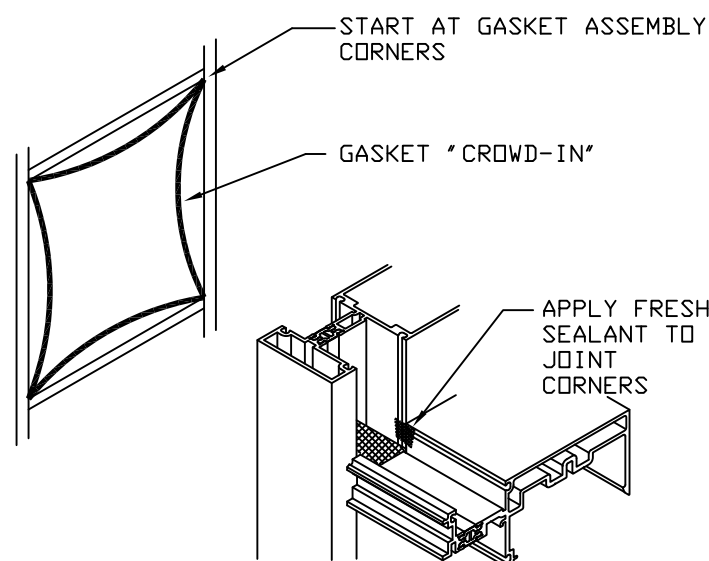
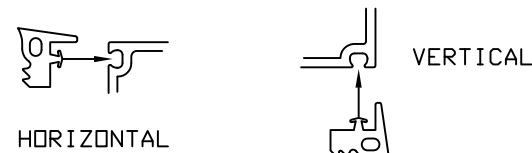
GASKET ASSEMBLIES SHOULD BE INSTALLED JUST PRIOR TO GLASS FOR AVOIDING GASKET CONTAMINATION BY JOB SITE DEBRIS.

IN TEMPERATURES COLDER THAN 50 DEGREES F. ARRANGMENTS SHOULD BE MADE TO KEEP THE GASKETS WARM UNTILL INSTALLATION OF GASKETS AND GLASS. THIS WILL AVOID EXCESSIVE GLAZING PRESSURE ON THE GLASS EDGE DUE TO COLD STIFF GASKETS.

GASKETS CAN BECOME SOMEWHAT DEFORMED DURING STORAGE IN CARTONS. REMOVE GASKETS FROM CARTONS SEVERAL HOURS PRIOR TO USE AND ALLOW TO LAY FLAT OR HANG OVER RACK. TEMPRATURES SHOULD BE AT LEAST 50 DEGREES F.

TO INSTALL GASKET ASSEMBLIES, START AT THE CORNERS AND WORK TOWARDS THE CENTER. BE SURE TO SQUARE THE CORNERS. GASKET ASSEMBLIES WILL BE SLIGHTLY LARGE FOR SOME "CROWD-IN". DO NOT STRETCH, CUT OR SPLICE GASKETS.

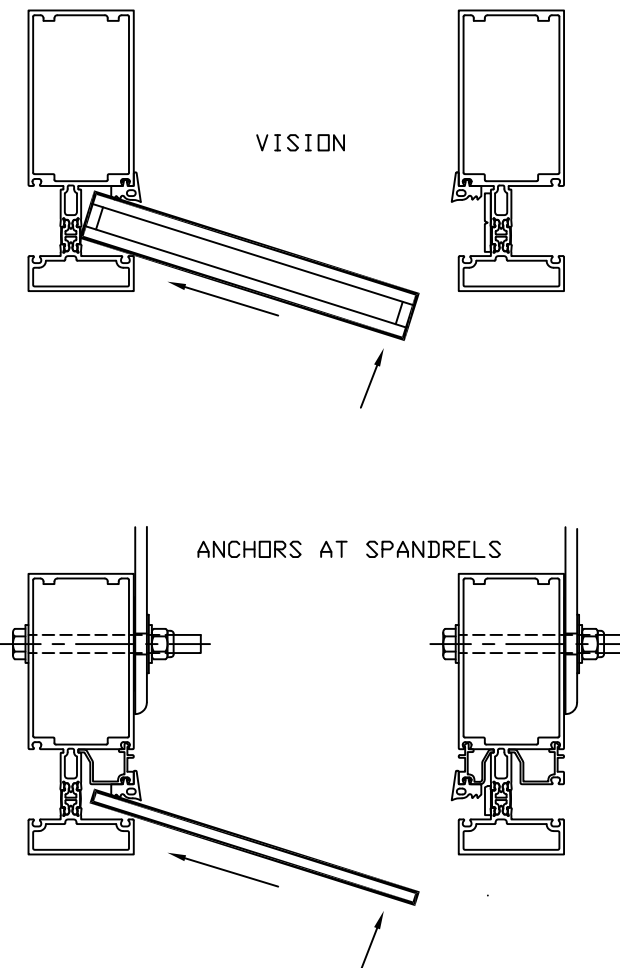
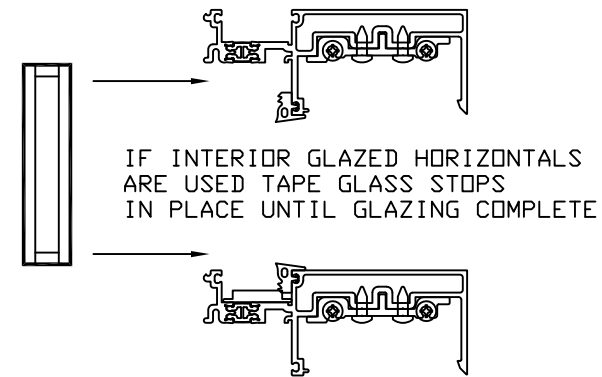
27-850 GASKET EXTRUSION
163-301 GASKET ASSEMBLY



RECOMMEND INSTALLING COMPLETE GASKET ASSEMBLY THEN PULL BACK CORNERS AND APPLY SEALANT JUST PRIOR TO INSTALLING GLASS

STEP - 13 EXTERIOR GLAZING

INSTALL GLASS LIFTING ABOVE SILL AND INSERTING INTO DEEP VERTICAL POCKET AS SHOWN.



STEP - 13 EXTERIOR GLAZING

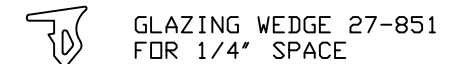
AFTER THE GLASS IS LOWERED ONTO THE SETTING BLOCKS AND CENTERED HORIZONTALLY LIFT THE GLASS SLIGHTLY AND PUSH FOWARD INTO THE INTERIOR GASKETS.

REFERENCE - FGMA GLAZING MANUAL IN THE "GLASS SETTING" SECTION.

THE ABOVE WILL KEEP THE GLASS EDGE FROM DIGGING AND DEFORMING THE SETTING BLOCK. INSTALL A SHORT PIECE OF GLAZING WEDGE AT THE SETTING BLOCKS AS A TEMPORARY.

THEN INSTALL A SHORT PIECE OF GLAZING WEDGE AT THE TWO VERTICALS AS A TEMPORARY. LOCATE TOWARDS THE TOP OF THE LITE.

MAY LUBRICATE WITH WATER AS REQUIRED



INSTALL "W" BLOCKS INTO DEEP POCKET SAME AS INTERIOR GLAZING EXCEPT INSTALL FROM THE EXTERIOR

<p>1600 SYSTEM⁴ INSTALLATION INSTRUCTIONS</p> <p>PART NUMBER 164-970 11 OF 14</p>	95468-12 04/03/98
	DRAWING:
	ORDER:
	SHT:

STEP - 13 EXTERIOR GLAZING

INSTALL SEALANT BACK-UP SPONGES AND APPLY SEAL INSTALL COVERS

NOTE - IT IS IMPORTANT TO INSTALL COVERS AND MAKE THE SEALS AT THE SAME TIME. CURED SEALANT WILL INTERFERE WITH COVER INSTALLTION REFERENCE STEP - 9

NOTE
FOR ABOUT 1' AT EACH END APPLY SEALANT TO COVER ENGAGEMENT GROOVE

HORIZONTAL FACE IS NOTCHED 1/8" TO CREATE A JOINT FOR SEALANT

COMPLETELY SEAL- FILLING THE JOINT SO SEALANT COMES IN CONTACT WITH THE JOINT PLUG SEAL TOOL SEALANT

APPLY SEALANT TO FACE OF SPONGE

AT INTERIOR GASKET SIDE OF JOINT TOOL SEALANT FLUSH SO IT WILL NOT INTERFERE WITH GASKETS

COMPLETELY SEAL- FILLING THE JOINT SO SEALANT COMES IN CONTACT WITH THE JOINT PLUG SEAL TOOL SEALANT

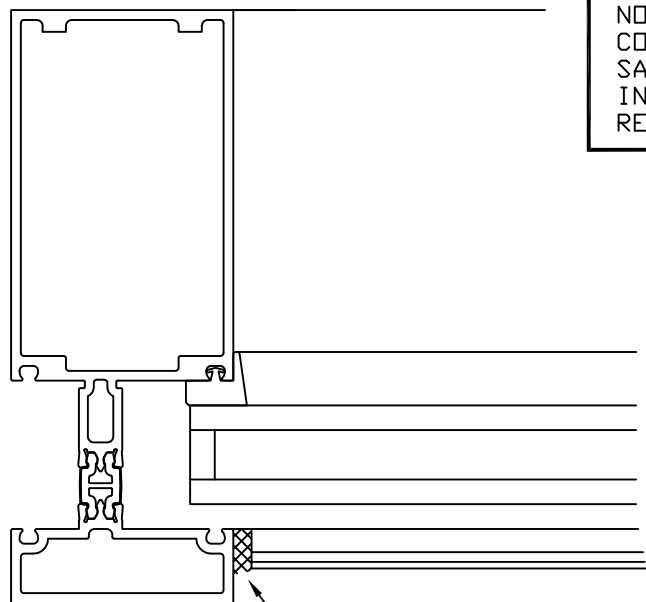
APPLY SEALANT TO FACE OF SPONGE

AT INTERIOR GASKET SIDE OF JOINT TOOL SEALANT FLUSH SO IT WILL NOT INTERFERE WITH GASKETS

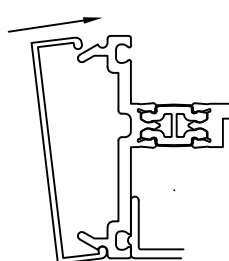
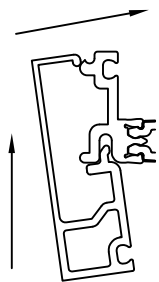
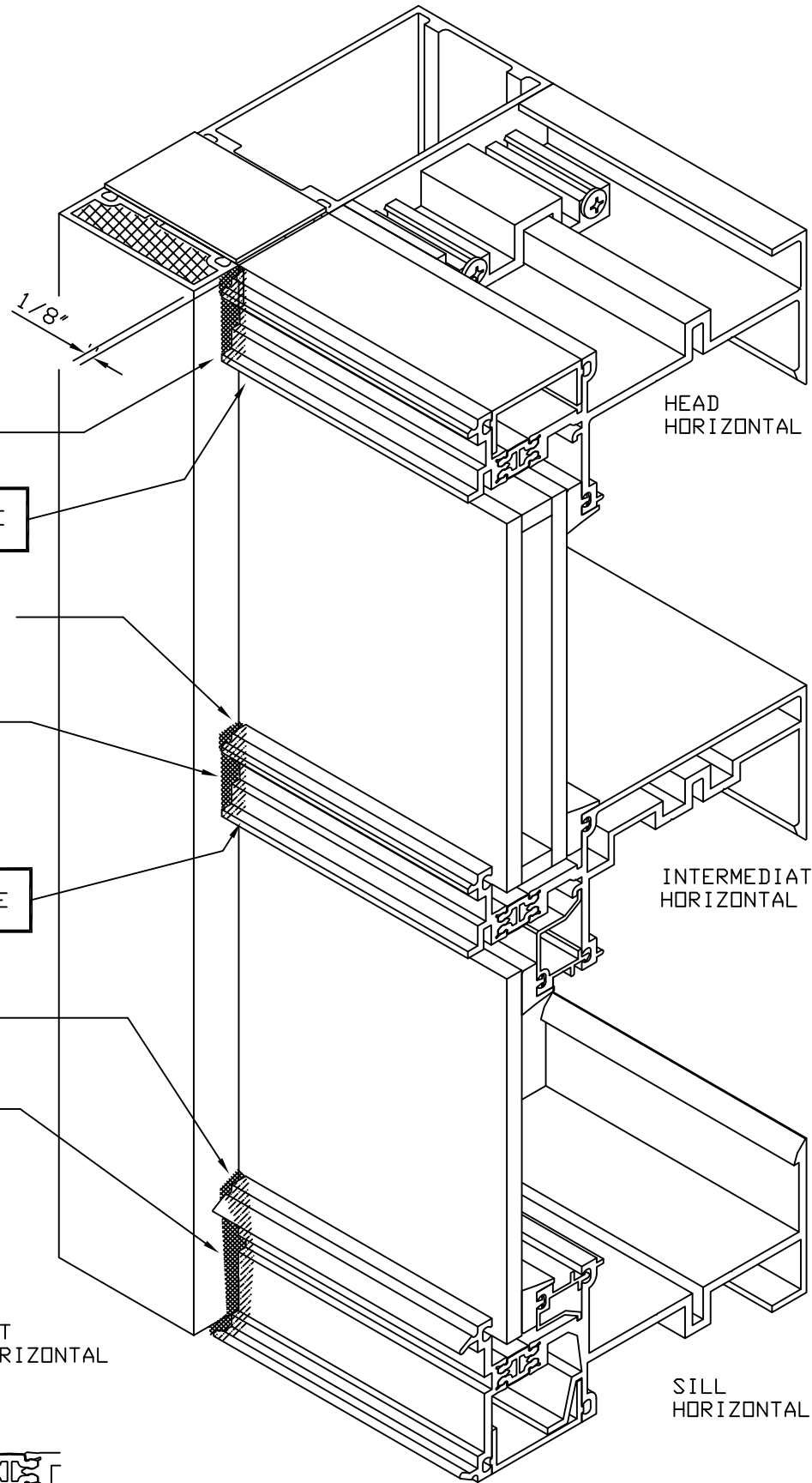
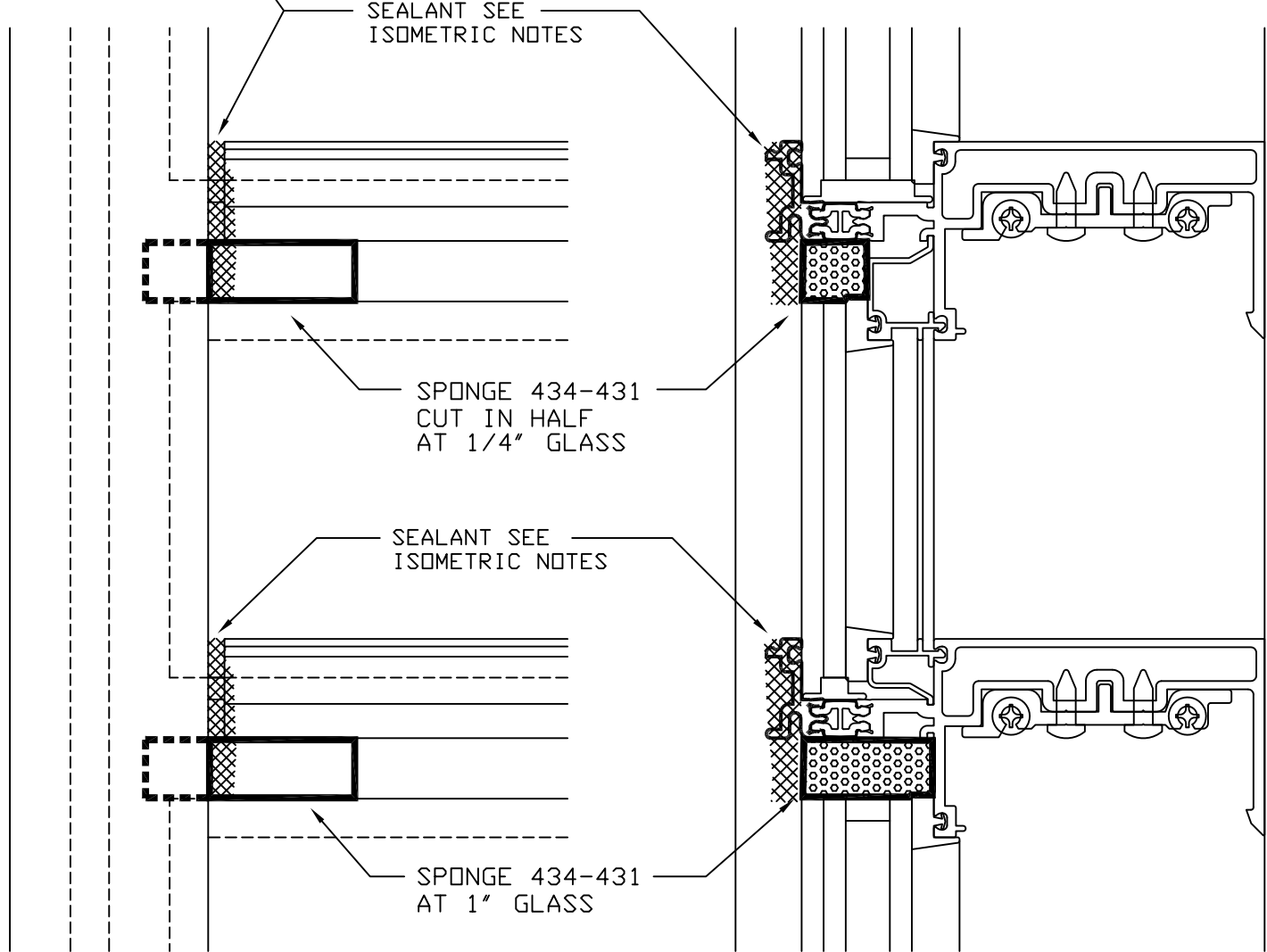
COMPLETELY SEAL- FILLING THE JOINT SO SEALANT COMES IN CONTACT WITH THE JOINT PLUG SEAL TOOL SEALANT

INSTALL COVERS AS SHOWN HOOKING THE BOTTOM AND SNAPING ONTO THE TOP

COVER AT SILL HORIZONTAL




AT THE TOP CORNERS OF EACH LITE OF GLASS INSTALL SEALANT BACK-UP SPONGES AS SHOWN



Kawneer 1600 SYSTEM ⁴ INSTALLATION INSTRUCTIONS PART NUMBER 164-970 12 OF 14	95468-21 10/20/00
	DRAWING:
	ORDER:
	SHT:

STEP - 13 EXTERIOR GLAZING

INSTALL GLAZING WEDGE GASKET

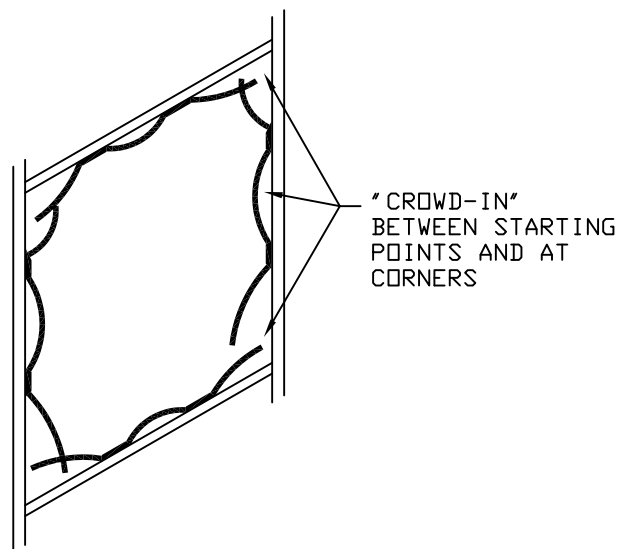
 GLAZING WEDGE 27-851 FOR 1/4" SPACE

IN TEMPERATURES COLDER THAN 50 DEGREES F. ARRANGMENTS SHOULD BE MADE TO KEEP THE GASKETS WARM UNTILL INSTALLATION OF GASKETS AND GLASS. THIS WILL AVOID EXCESSIVE GLAZING PRESSURE ON THE GLASS EDGE DUE TO COLD STIFF GASKETS.

GASKETS CAN BECOME SOMEWHAT DEFORMED DURING STORAGE IN CARTONS. REMOVE GASKETS FROM CARTONS SEVERAL HOURS PRIOR TO USE AND ALLOW TO LAY FLAT OR HANG OVER RACK. TEMPRATURES SHOULD BE AT LEAST 50 DEGREES F.

WHEN STARTING THE WEDGE GASKET THE BEST PLACE TO START IS NEAR A TEMPORARY. CUT THE WEDGE 1/8" TO 1/4" PER FOOT LONG FOR GASKET "CROWD-IN". THE "CROWD-IN" TO BE BETWEEN STARTING POINTS AND AT CORNERS. DO NOT STRETCH TO FIT. CORNERS GET SEALED SEE DETAIL BELOW.

WATER MAY BE USED TO LUBRICATE WEDGE GASKET. BEFORE SEALING CORNERS WIPE GASKET AND CORNER WITH A CLEAN RAG. BEST METHOD IS TO LEAVE CORNERS OUT FOR SOME TIME TO LET WATER EVAPORATE AND WIPE CLEAN.



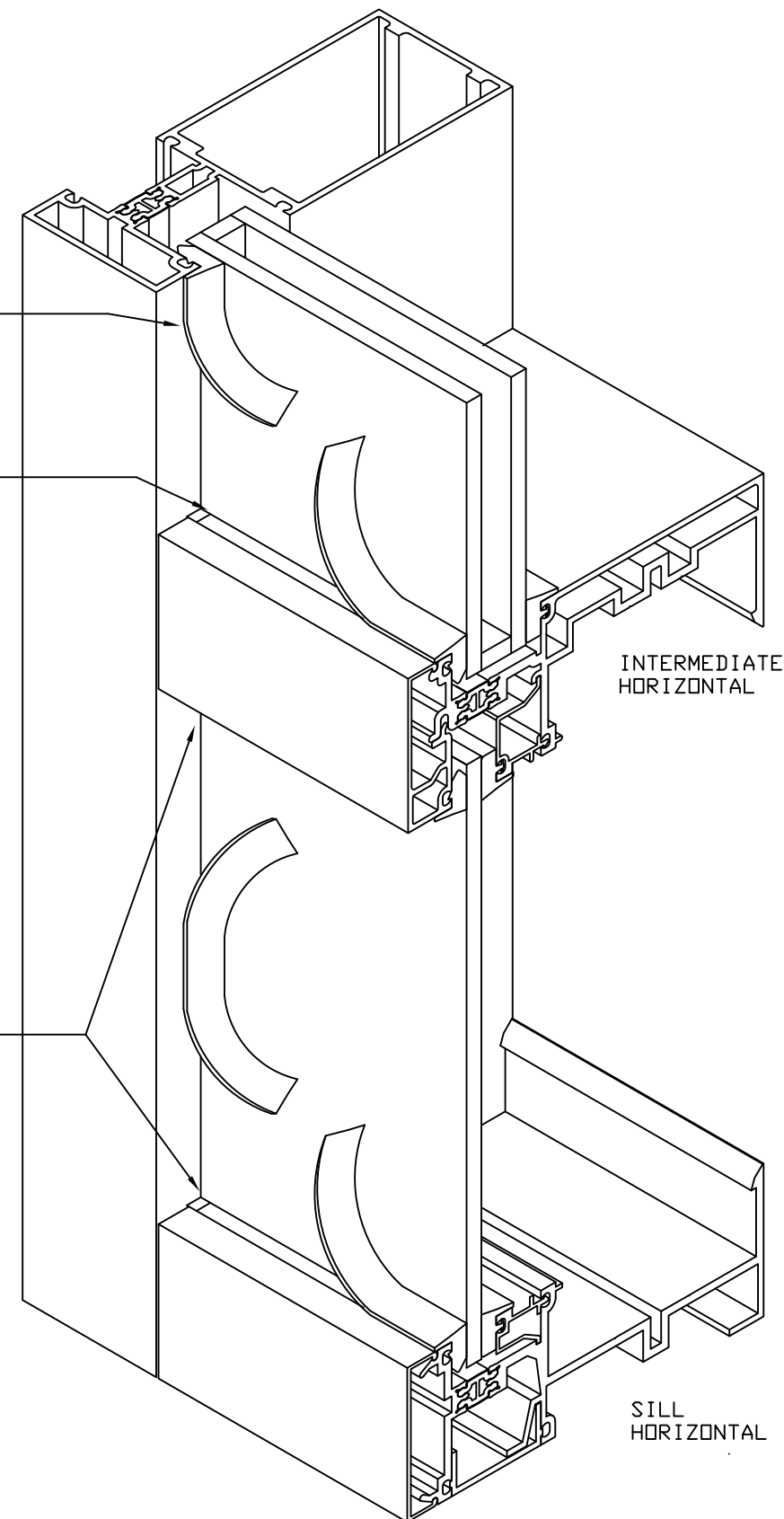
IT IS IMPORTANT THE WEDGE GASKET BE COMPLETELY SEATED WHEN INSTALLED. A GOOD CHECK IS TO LIFT UP THE TRIM LIP TO SEE HOW IT IS INSTALLED BOTH VERTICALLY AND HORIZONTALLY

BEFORE SEATING CORNERS APPLY FRESH SEALANT AT CORNERS FOR SEALING GASKET CORNERS

THIS SEAL IS BEST DONE IN TWO STEPS - APPLY SOME SEALANT AND SEAT THE HORIZONTAL GASKET - THEN APPLY MORE SEALANT WHEN SEATING THE VERTICAL GASKET

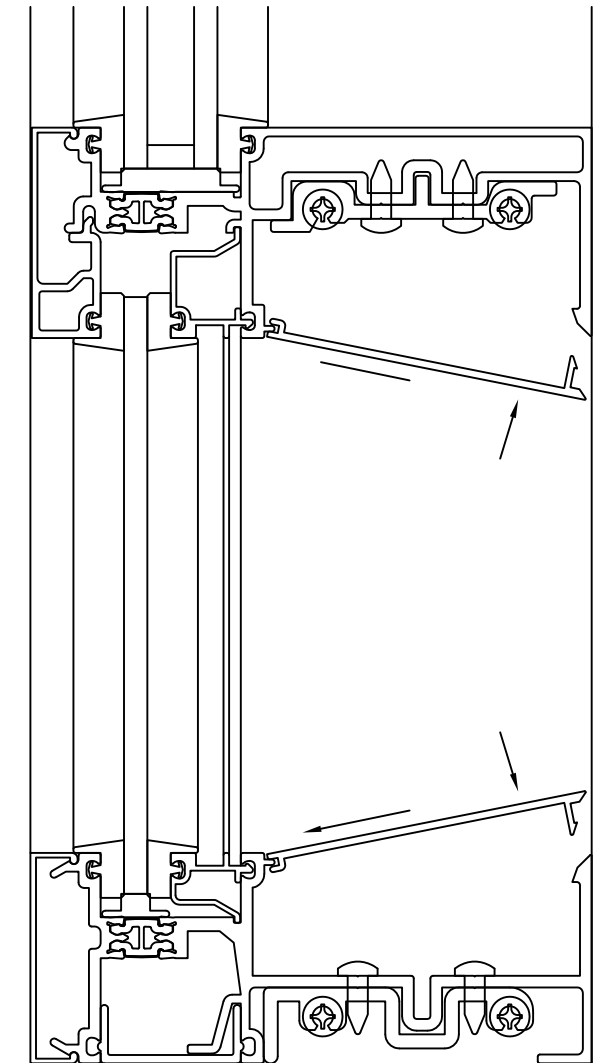
BEFORE SEATING CORNERS APPLY FRESH SEALANT AT CORNERS FOR SEALING GASKET CORNERS

THIS SEAL IS BEST DONE IN TWO STEPS - APPLY SOME SEALANT AND SEAT THE HORIZONTAL GASKET - THEN APPLY MORE SEALANT WHEN SEATING THE VERTICAL GASKET



INSTALL INTERIOR FILLERS WHERE APPLICABLE

FILLERS USED AT EXPOSED AREAS ONLY



Kawneer

1600 SYSTEM⁴
INSTALLATION INSTRUCTIONS

PART NUMBER
164-970 13 OF 14

95468-12
04/03/98

DRAWING:

ORDER:

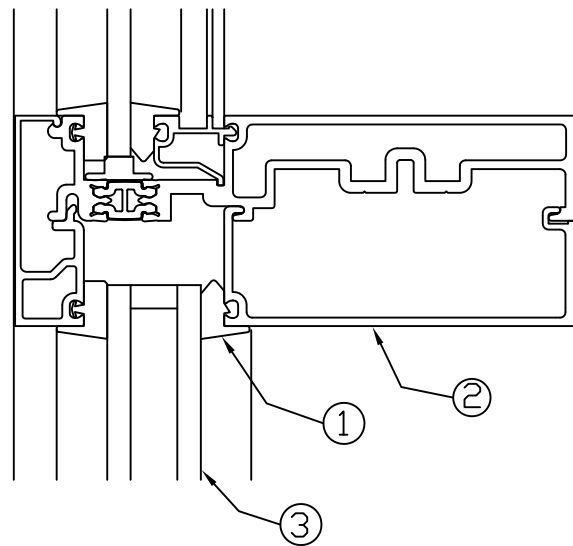
SHT:

RE-GLAZING

INTERIOR GLAZED VISION LITE

ORDER NEW

- 1 - FIXED GASKET ASSEMBLY
- 2 - WEDGE GASKET MATERIAL



REMOVE

- 1 - EXISTING WEDGE GASKET
- 2 - TOP INTERIOR STOP
- 3 - GLASS TO BE REPLACED

CLEAN METAL AND RE-GLAZE PER INTERIOR GLAZING INSTRUCTIONS STEP #13

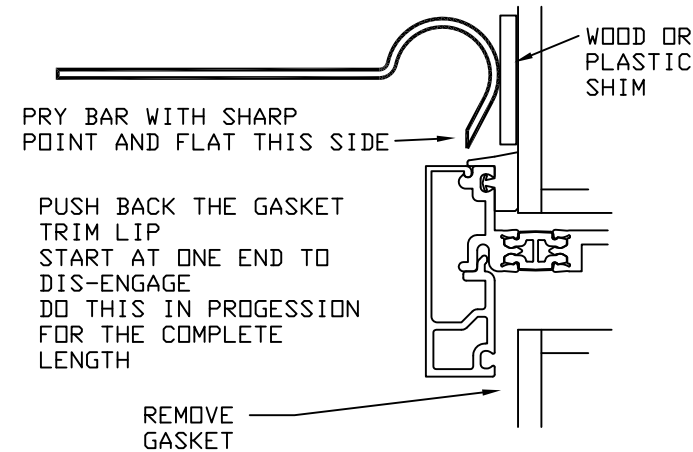
RE-GLAZING

INTERIOR GLAZED LITES TO BE RE-GLAZED FROM THE EXTERIOR

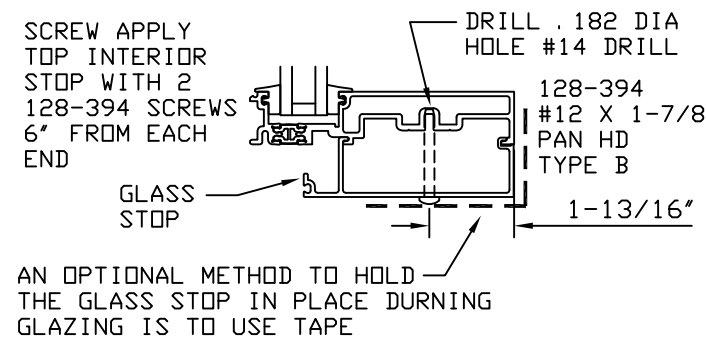
ORDER NEW

- 1 - FIXED GASKET ASSEMBLY
- 2 - WEDGE GASKET MATERIAL FOR ALL FOUR SIDES
- 3 - NEW TOP EXTERIOR COVER IF EXISTING COVER CAN NOT BE SAVED

COVERS CAN BE SAVED IF TOLERANCES ARE NOT TOO TIGHT AND THE COVER IS REMOVED WITH EXTREME CARE



REMOVE GLASS AND INTERIOR GASKET



CLEAN METAL AND RE-GLAZE PER EXTERIOR GLAZING INSTRUCTIONS STEP #13

Kawneer

1600 SYSTEM⁴
INSTALLATION INSTRUCTIONS

PART NUMBER
164-970 14 OF 14

95468-12
04/03/98

DRAWING:

ORDER:

SHT: