

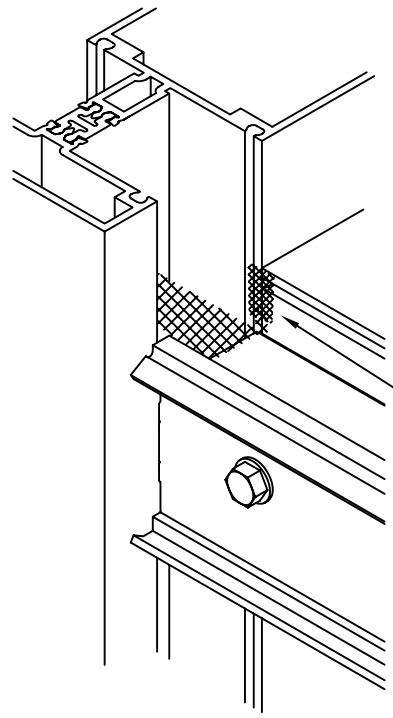
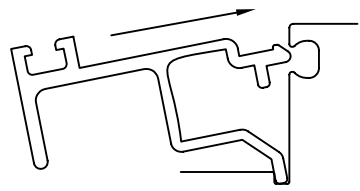
# INSTALL VENT POCKET ADAPTERS

USE THESE INSTRUCTIONS IN CONJUNCTION WITH INSTALLATION INSTRUCTIONS 163-970 FOR SYSTEM <sup>3</sup>  
COMPLETE STEPS 1 THROUGH 8 BEFORE STARTING THE FOLLOWING INSTRUCTIONS.

SQUARENESS AND DAYLITE OPENING DIMENSIONS MUST BE HELD TO WITHIN 1/16" OF NOMINAL FOR THE VENTS TO FIT AND OPERATE PROPERLY. DIAGONAL DIMENSIONS ACROSS OPENING MUST NOT VARY MORE THAN 1/16".

POCKET ADAPTER CUT LENGTH  
VERTICAL ADAPTERS DLO PLUS 1-3/8"  
HORIZONTAL ADAPTER DLO MINUS 5/16" WITH CAPTURED VERTICALS AT BOTH ENDS

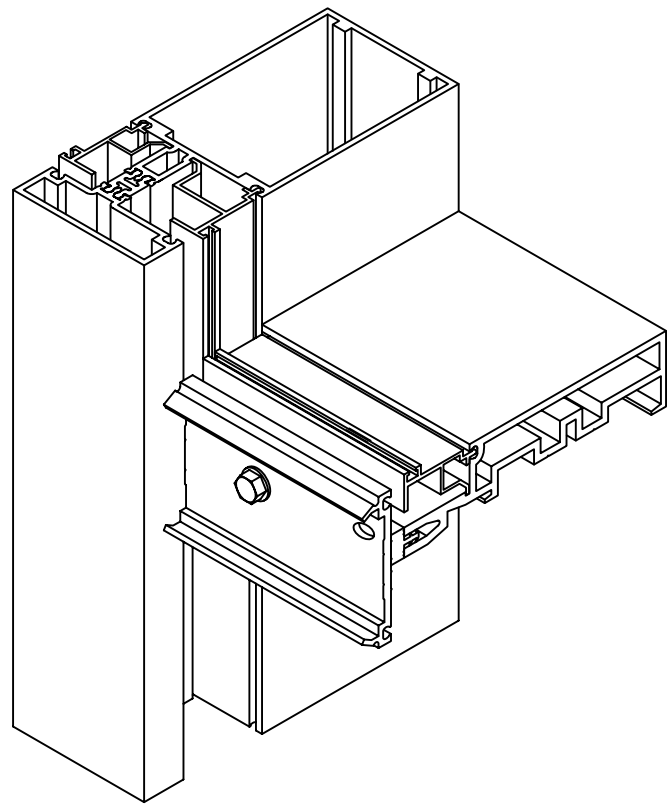
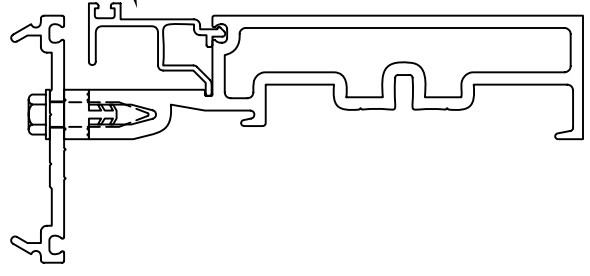
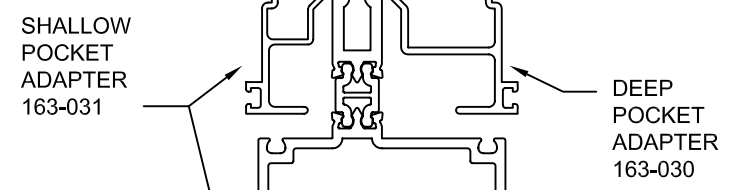
INSTALL VERTICAL ADAPTERS FIRST



ALL SURFACES AND GROOVES MUST BE CLEANED PER THE SEALANT MANUFACTURER'S RECOMMENDATIONS.

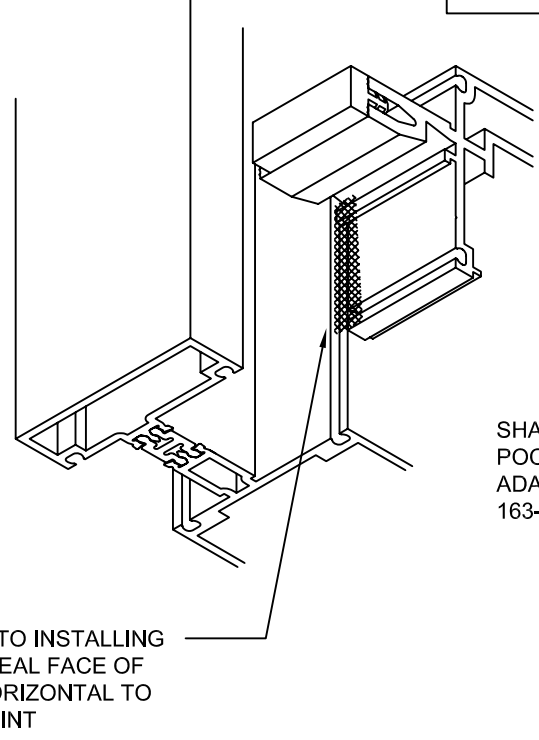
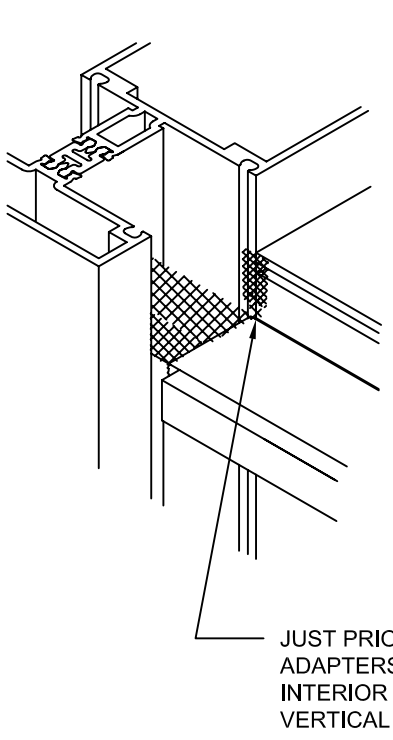
JUST PRIOR TO INSTALLING ADAPTERS SEAL FACE OF INTERIOR HORIZONTAL TO VERTICAL JOINT

AT INTERIOR GLAZED FIXED LITES

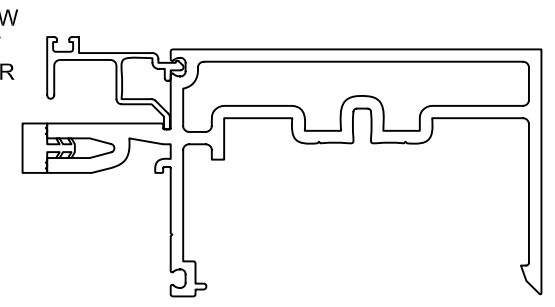
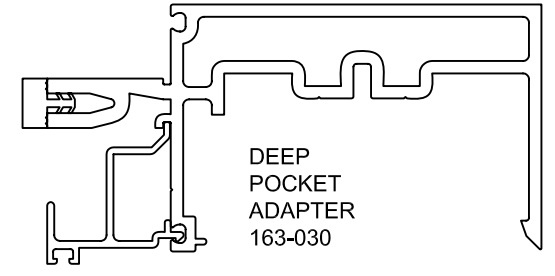


AT EXTERIOR GLAZED FIXED LITES

INSTALL VERTICAL ADAPTERS FIRST

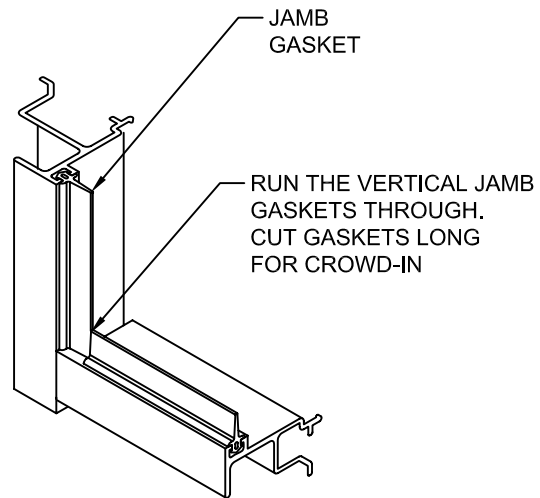
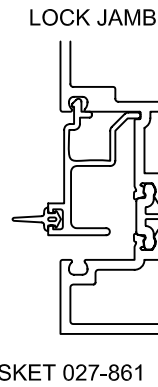
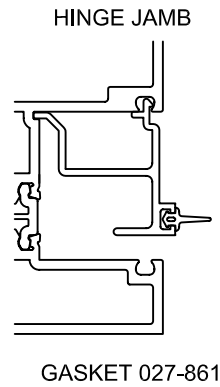
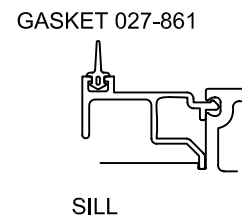
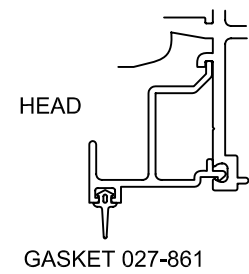


JUST PRIOR TO INSTALLING ADAPTERS SEAL FACE OF INTERIOR HORIZONTAL TO VERTICAL JOINT



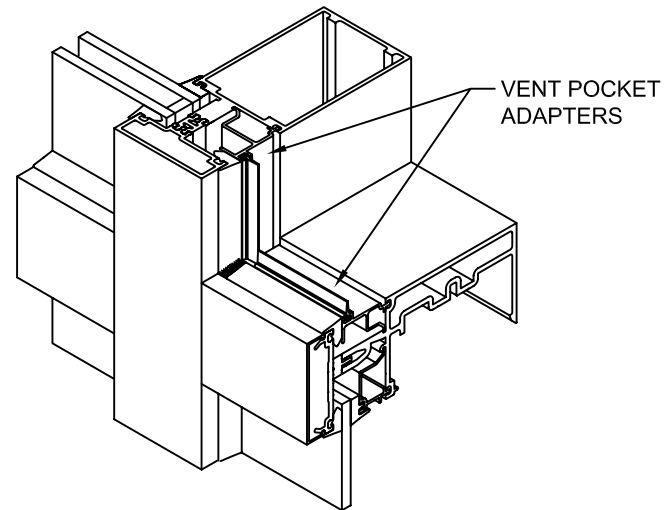
<p>1600 GLASSVENT SYSTEM <sup>3</sup> INSTALLATION INSTRUCTIONS CASEMENTS</p>	<p>PART NUMBER 163-979 1 OF 4</p>	<p>95455-36 03/12/07</p>
	<p>DRAWING:</p>	<p>ORDER:</p>
	<p>SHT:</p>	<p>SHT:</p>
	<p>163-979 1 OF 4</p>	

### INSTALL PERIMETER VENT GASKETS



### GLAZE GLASS AND INSTALL PRESSURE PLATES

AFTER INSTALLING VENT POCKET ADAPTERS COMPLETE THE REMAINING STEPS WITH INSTALLATION INSTRUCTIONS 163-970 FOR GLAZING AND APPLYING EXTERIOR COVERS.

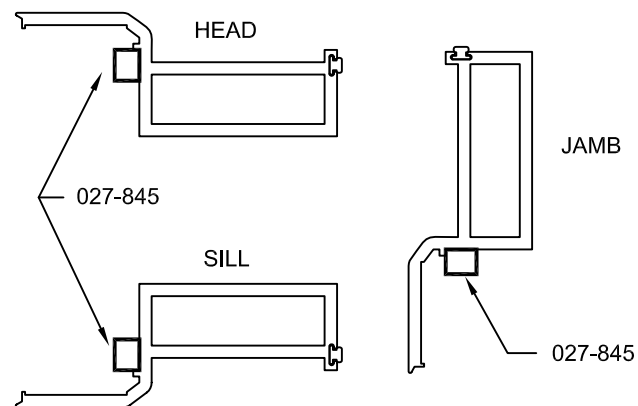


### STRUCTURAL VENT GLAZING

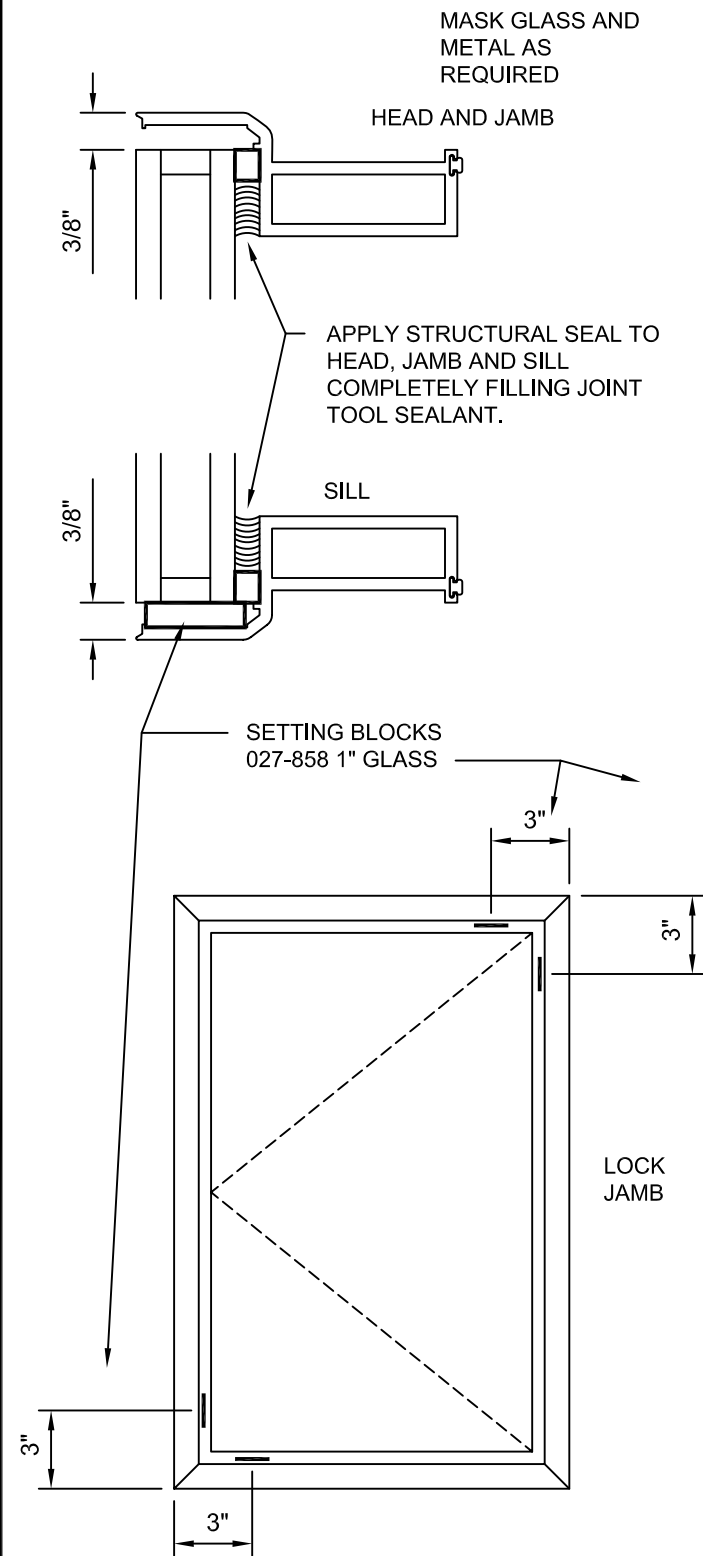
STRUCTURAL SEAL - SEALANT TO BE STRUCTURAL TYPE SILICONE AS RECOMMENDED BY THE SEALANT MANUFACTURER. SEALANT SHALL NOT BE APPLIED UNTIL ALL REQUIRED COMPATIBILITY AND ADHESION TESTING IS COMPLETE. SEALANT MUST BE APPLIED PER THE SEALANT MANUFACTURER'S RECOMMENDATIONS.

EXTERIOR GLASS WEATHER SEAL - SEALANT TO BE A TYPE AS RECOMMENDED BY THE MANUFACTURER OF THE STRUCTURAL SEALANT BEING USED FOR THIS PROJECT. SEALANT MUST BE APPLIED PER THE SEALANT MANUFACTURER'S RECOMMENDATIONS.

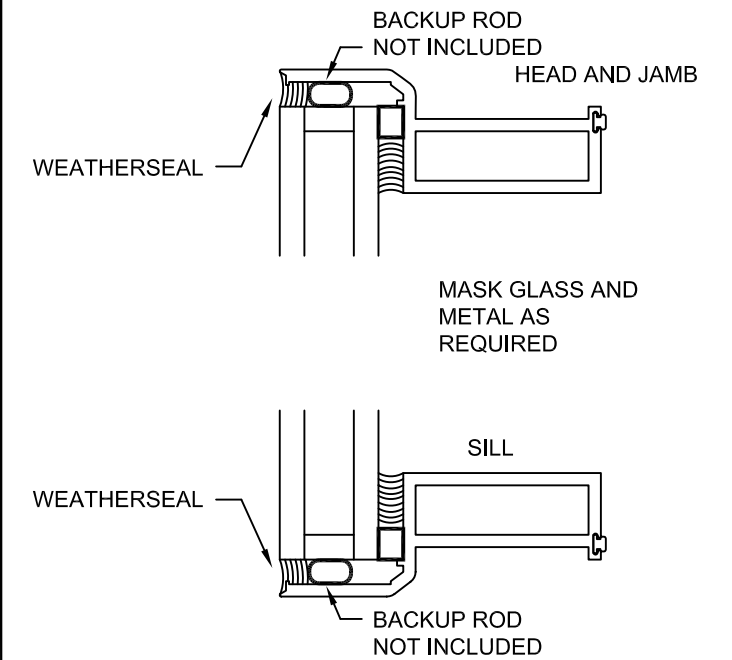
CLEAN VENT GLAZING AND APPLY 027-845 2 SIDED ADHESIVE TAPE AS SHOWN. TEMPORARILY LEAVE THE PROTECTIVE LINER ON



### APPLY STRUCTURAL SEAL



### APPLY WEATHERSEAL



**KAWNEER**  
1600 GLASSVENT SYSTEM<sup>3</sup>  
INSTALLATION INSTRUCTIONS  
CASEMENTS

PART NUMBER  
163-979 2 OF 4

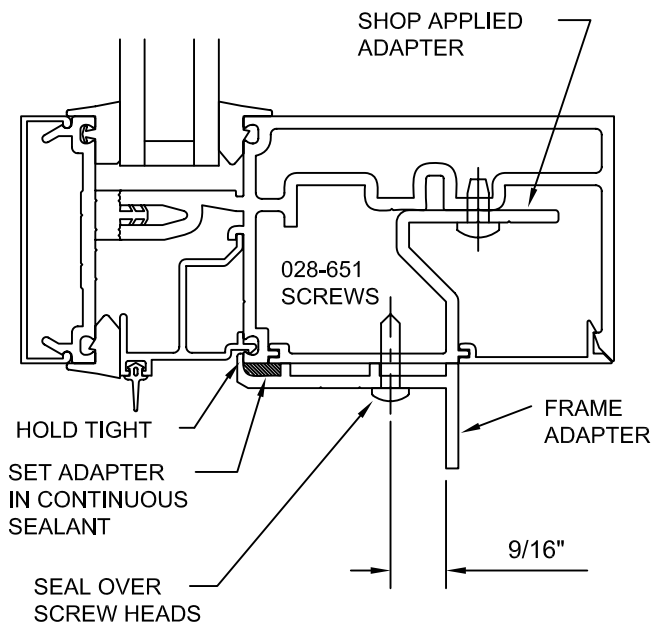
95455-36  
03/12/07  
DRAWING:  
ORDER:  
SHT:

### INSTALL VENT FRAME ADAPTERS

VENT FRAME ADAPTERS ARE HANDED. SEE APPROVED SHOP DRAWINGS FOR LOCATION.

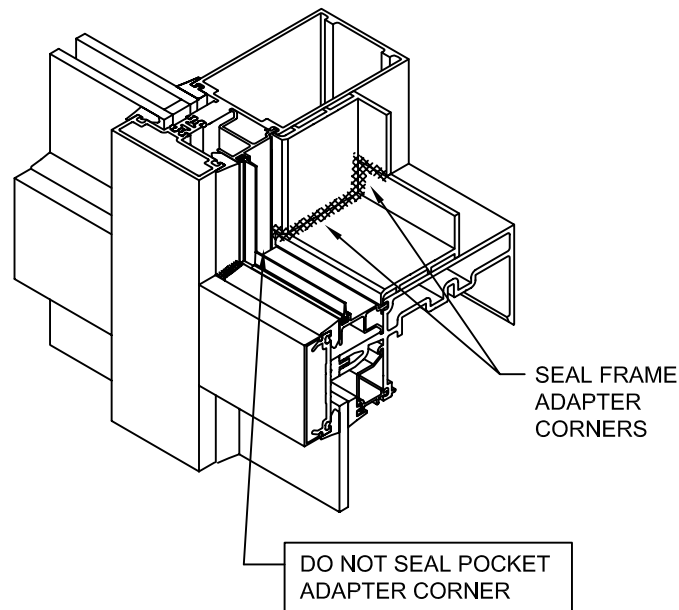
HOLD ADAPTERS TIGHT AGAINST MULLION AS SHOWN. USING HOLES IN ADAPTERS MATCH DRILL MULLIONS WITH #26 DRILL 0.147 DIA. AND APPLY WITH 028-651 SCREWS #10 x 3/4 PAN HEAD TYPE AB.

AT THIS TIME USE ONLY HOLES FOR ADAPTER ATTACHMENT.



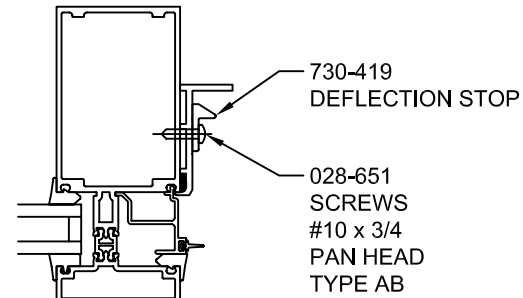
APPLY ADAPTERS TO ALL 4 SIDES AND SEAL CORNERS AS SHOWN.

DO NOT SEAL POCKET ADAPTER CORNERS.  
THESE CORNERS ARE FOR WATER DRAINAGE.



### INSTALL DEFLECTION STOP

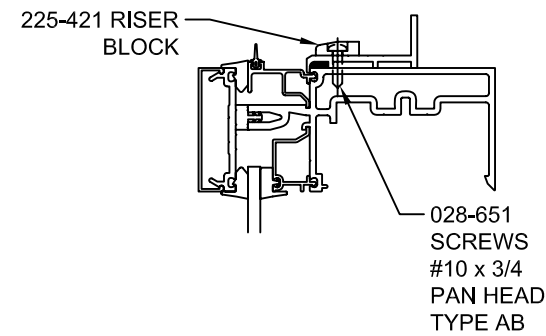
AT VERTICAL HINGE JAMB



APPLY DEFLECTION STOP. USING HOLES IN ADAPTERS DRILL HORIZONTAL WITH #26 DRILL 0.147 DIA. AND APPLY WITH 028-651 SCREWS. ADJUST STOP ALL THE WAY TO THE EXTERIOR AND SNUG TIGHTEN SCREWS. ADJUSTMENT WILL BE REQUIRED AFTER THE VENT IS INSTALLED.

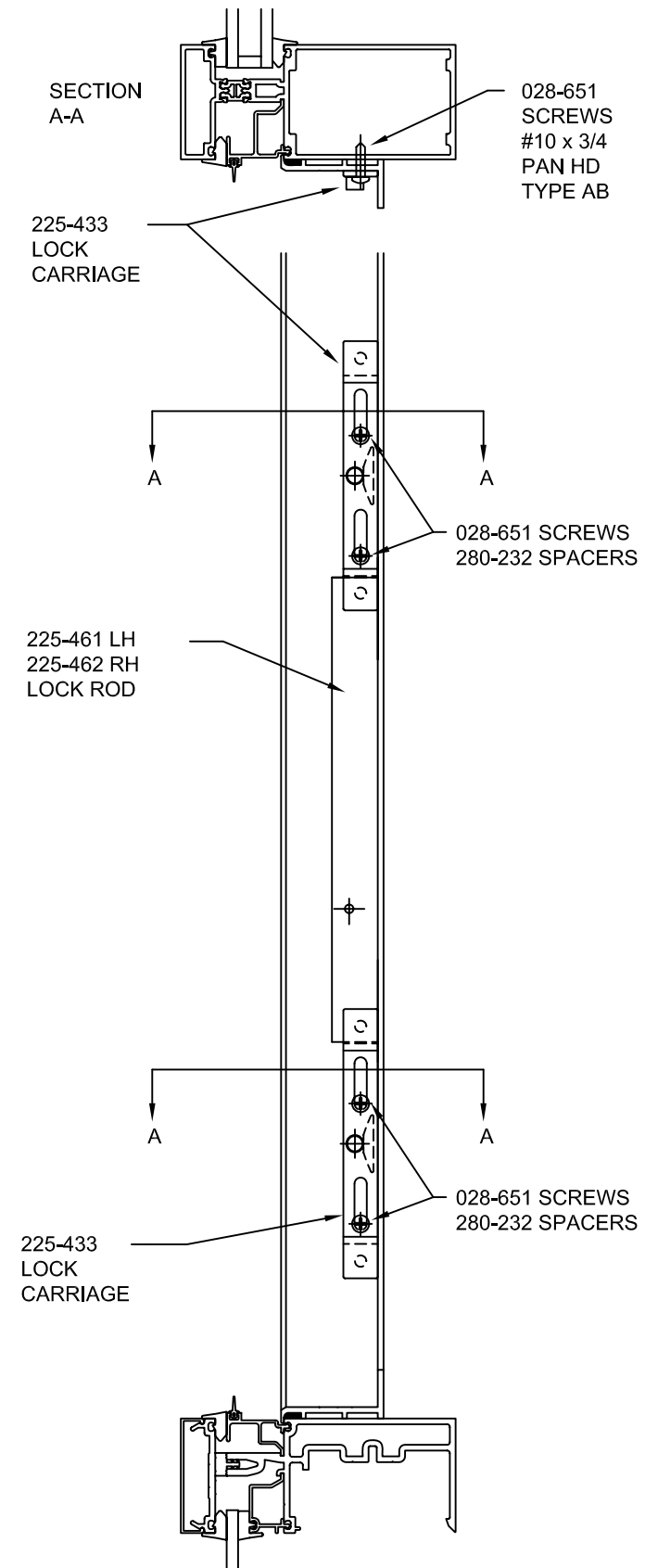
### INSTALL RISER BLOCK

USING HOLES IN ADAPTERS DRILL HORIZONTAL WITH #26 DRILL 0.147 DIA AND APPLY BLOCK USING 028-651 SCREWS. SET SCREWS IN SEALANT.

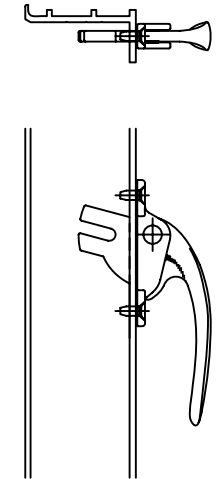


### INSTALL MULTI-POINT LOCK CARRIAGE AND LOCK ROD

USING HOLES IN ADAPTERS DRILL HORIZONTAL WITH #26 DRILL 0.147 DIA AND APPLY LOCK CARRIAGE AND ROD USING 028-651 SCREWS AND 280-232 SPACERS. SET SCREWS IN SEALANT.



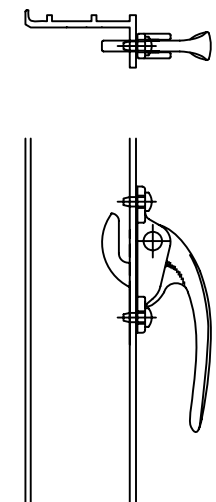
### INSTALL MULTI-POINT LOCK



835-431  
MULTI-POINT LOCK  
835-432  
GASKET  
128-415  
SCREWS

### INSTALL HOOK LOCK

AT SINGLE LOCK POINT APPLICATIONS



225-438  
HOOK LOCK  
835-432  
GASKET  
128-414  
SCREWS

AFTER VENTS ARE INSTALLED ADJUST VENT KEEPERS AS REQUIRED



1600 GLASSVENT SYSTEM<sup>3</sup>  
INSTALLATION INSTRUCTIONS  
CASEMENTS

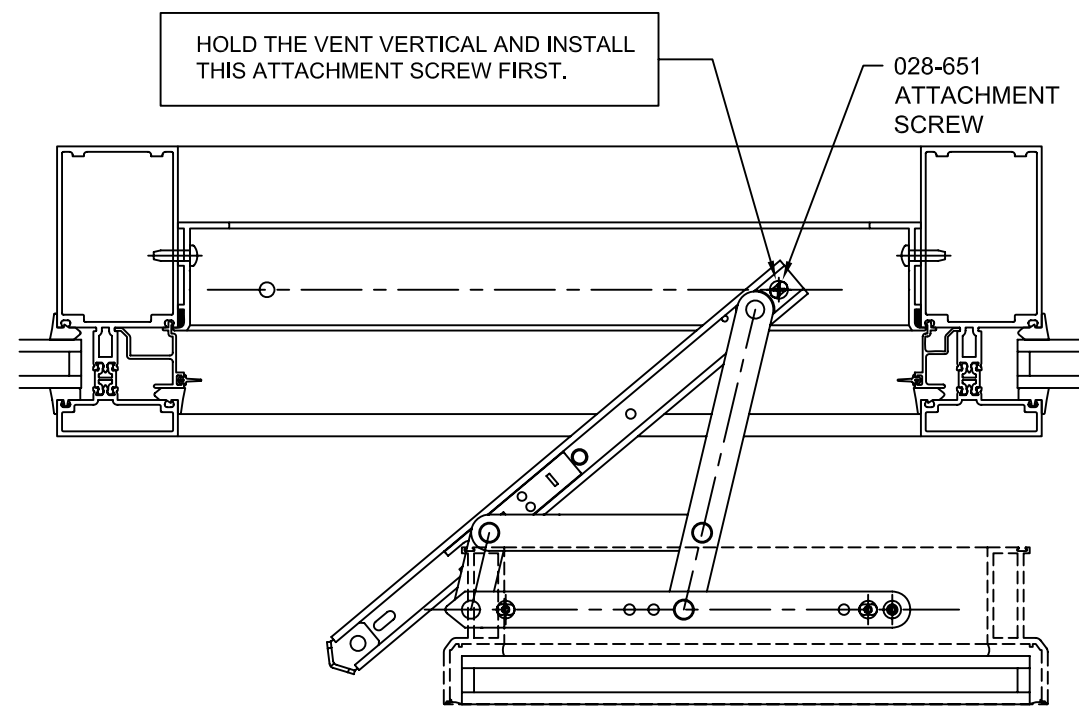
PART NUMBER  
163-979 3 OF 4

95455-36  
03/12/07  
DRAWING:  
ORDER:  
SHT:

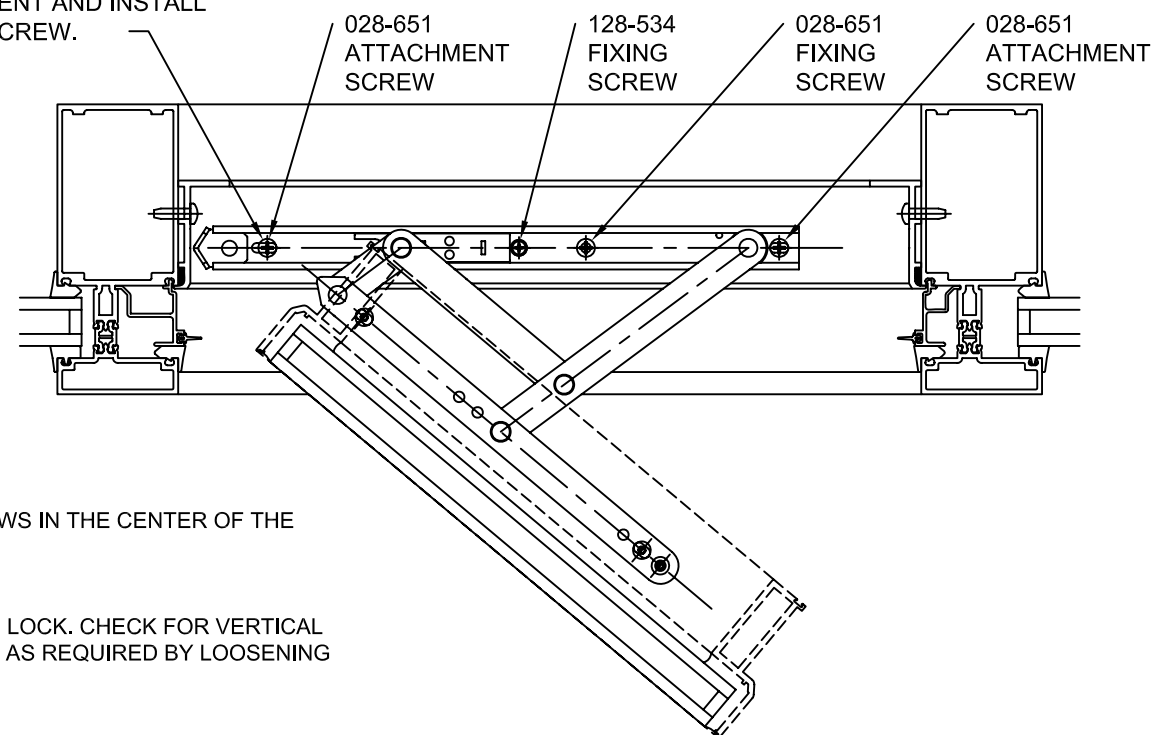
### INSTALL GLAZED VENT

BEFORE INSTALLING VENT DRILL HOLES IN THE MULLIONS USING THE REMAINING ADAPTER HOLES AS PILOTS. USE A #26 DRILL 0.147 DIA.

INSTALL THE VENT BY SCREW APPLYING THE 4-BAR HINGES TO THE JAMBS USING 028-651 SCREWS #10 X 3/4 PAN HEAD TYPE AB. APPLY SEALANT TO THE SCREW HOLES BEFORE INSTALLING ARM AND SCREWS.



THEN ROTATE THE VENT AND INSTALL THIS ATTACHMENT SCREW.



POSITION THE SCREWS IN THE CENTER OF THE 4-BAR HINGE SLOTS.

SHUT THE VENT AND LOCK. CHECK FOR VERTICAL ALIGNMENT. ADJUST AS REQUIRED BY LOOSENING 028-651 SCREWS.

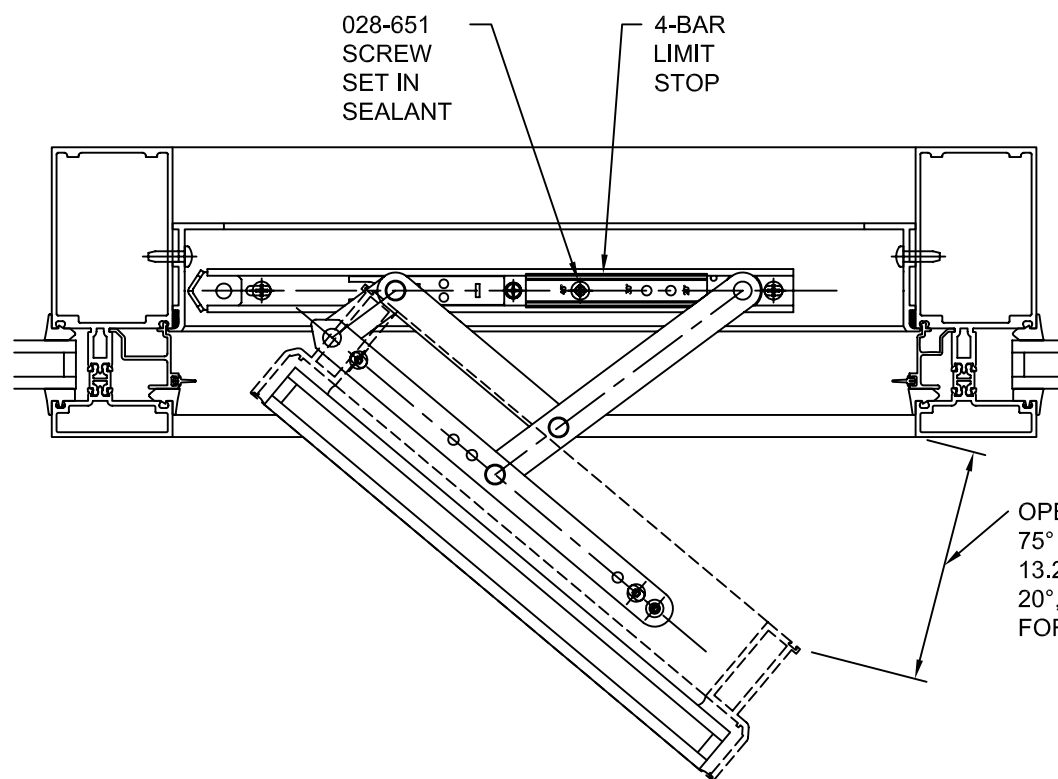
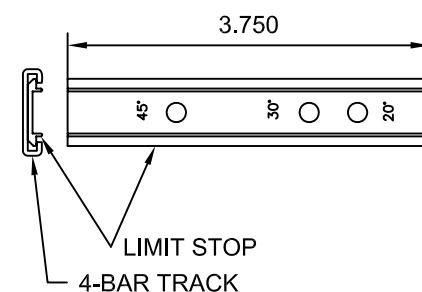
WITH THE VENT CENTERED DRILL AS ABOVE AND INSTALL 028-651 & 128-534 FIXING SCREWS. SET THE SCREW IN SEALANT.

### INSTALL 4-BAR LIMIT STOPS ON DLO'S 20.500" AND OVER

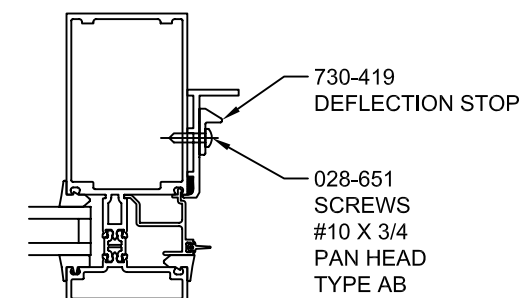
THE LIMIT STOP IS FURNISHED 3-3/4" LONG. ADJUST AS REQUIRED TO LIMIT THE OPENING TO APPROXIMATELY 20°, 30° OR 45°.

DRILL 0.147 DIA. HOLES (#26 DRILL) AND INSTALL WITH 028-651 SCREWS. #10 X 3/4 PAN HEAD TYPE AB

THE 4-BAR HINGE HAS A PRE-PUNCHED HOLE FOR THE 028-651 SCREWS.



### ADJUST DEFLECTION STOP



WITH THE VENT OPEN, LOOSEN SCREWS SO STOP WILL SLIDE. THEN SLIDE DEFLECTION STOP TOWARDS THE INTERIOR. CLOSE VENT AND LOCK. OPEN THE VENT CAREFULLY AND TIGHTEN DEFLECTION STOP SCREW.

<p>1600 GLASSVENT SYSTEM<sup>3</sup> INSTALLATION INSTRUCTIONS CASEMENTS</p>	<p>95455-36 03/12/07</p>
	<p>DRAWING:</p>
	<p>ORDER:</p>
	<p>SHT:</p>