

# INSTALL VENT POCKET ADAPTERS

USE THESE INSTRUCTIONS IN CONJUNCTION WITH INSTALLATION INSTRUCTIONS 163-970 FOR SYSTEM<sup>3</sup> 163-973 FOR SYSTEM<sup>3</sup> WITH SSG GLAZING  
 COMPLETE STEPS 1 THROUGH 8 BEFORE STARTING THE FOLLOWING INSTRUCTIONS.

SQUARENESS AND DAYLITE OPENING DIMENSIONS MUST BE HELD TO WITHIN 1/16" OF NOMINAL FOR THE VENTS TO FIT AND OPERATE PROPERLY. DIAGONAL DIMENSIONS ACROSS OPENING MUST NOT VARY MORE THAN 1/16".

POCKET ADAPTER CUT LENGTH

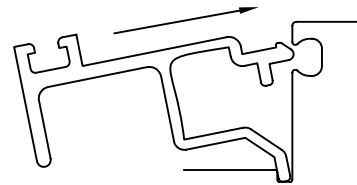
VERTICAL ADAPTERS DLO PLUS 1-3/8"

HORIZONTAL ADAPTER DLO MINUS 5/16" WITH CAPTURED VERTICALS AT BOTH ENDS

HORIZONTAL ADAPTER DLO PLUS 2-1/4" WITH SSG VERTICALS AT BOTH ENDS (NOTCH ENDS)

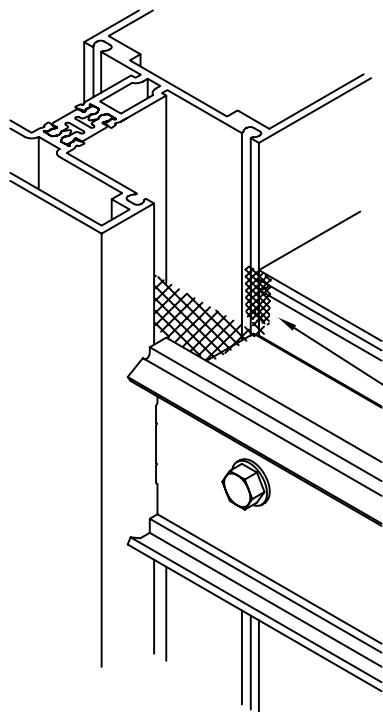
HORIZONTAL ADAPTER DLO PLUS 31/32" WITH CAPTURED VERTICAL AT ONE END AND SSG VERTICAL AT ONE END (NOTCH)

INSTALL VERTICAL ADAPTERS FIRST



ALL SURFACES AND GROOVES MUST BE CLEANED PER THE SEALANT MANUFACTURER'S RECOMMENDATIONS.

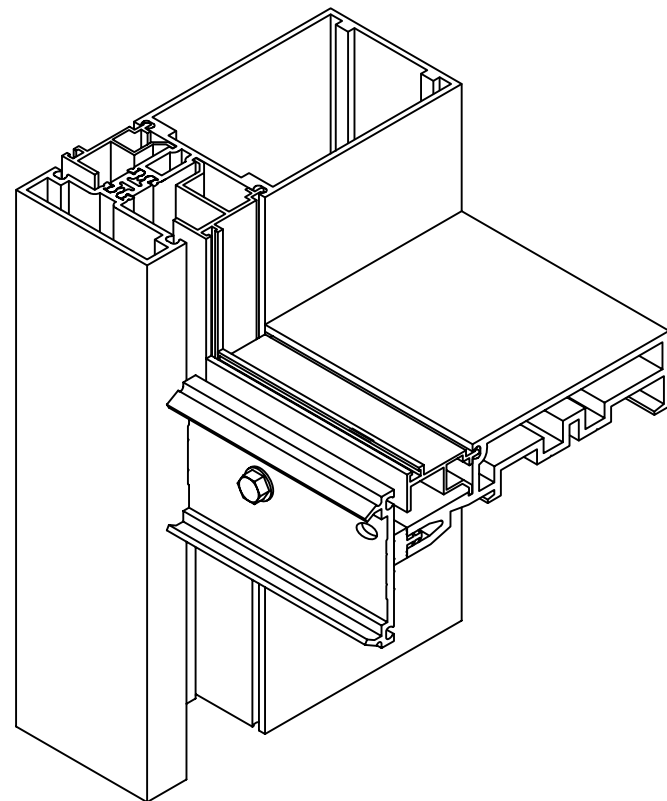
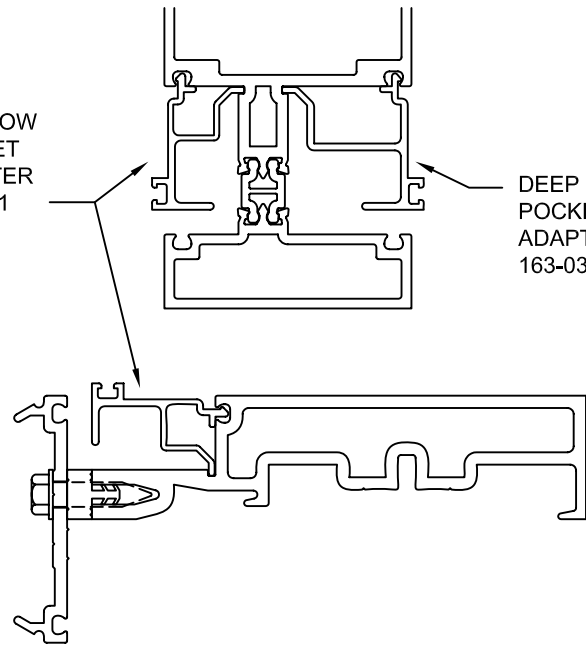
JUST PRIOR TO INSTALLING ADAPTERS SEAL FACE OF INTERIOR HORIZONTAL TO VERTICAL JOINT



AT INTERIOR GLAZED FIXED LITES

SHALLOW POCKET ADAPTER 163-031

DEEP POCKET ADAPTER 163-030

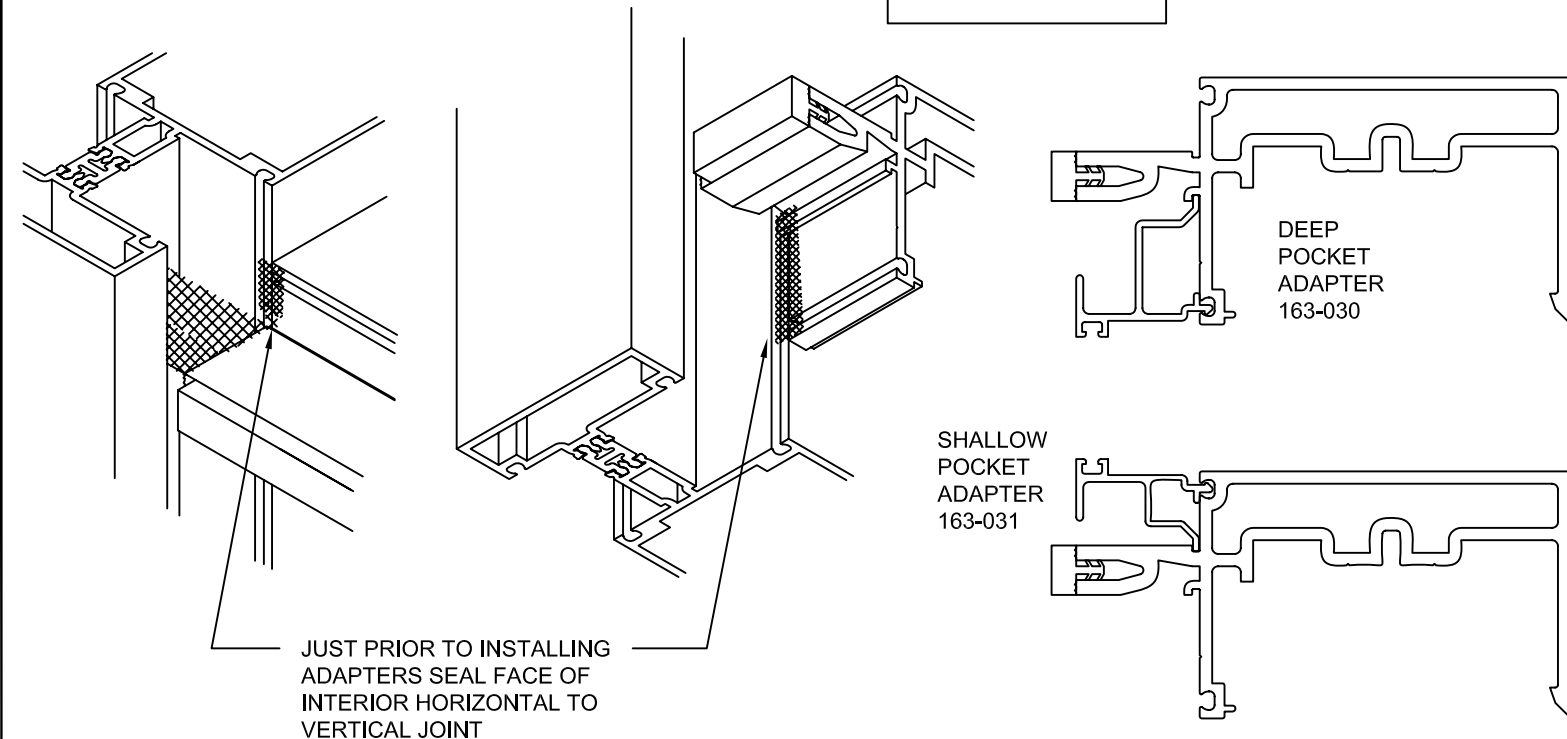


AT EXTERIOR GLAZED FIXED LITES

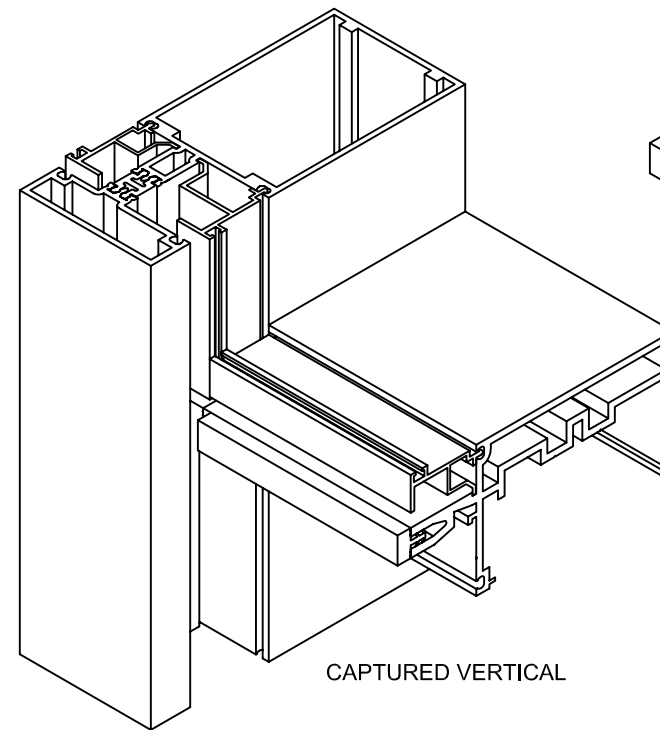
INSTALL VERTICAL ADAPTERS FIRST

DEEP POCKET ADAPTER 163-030

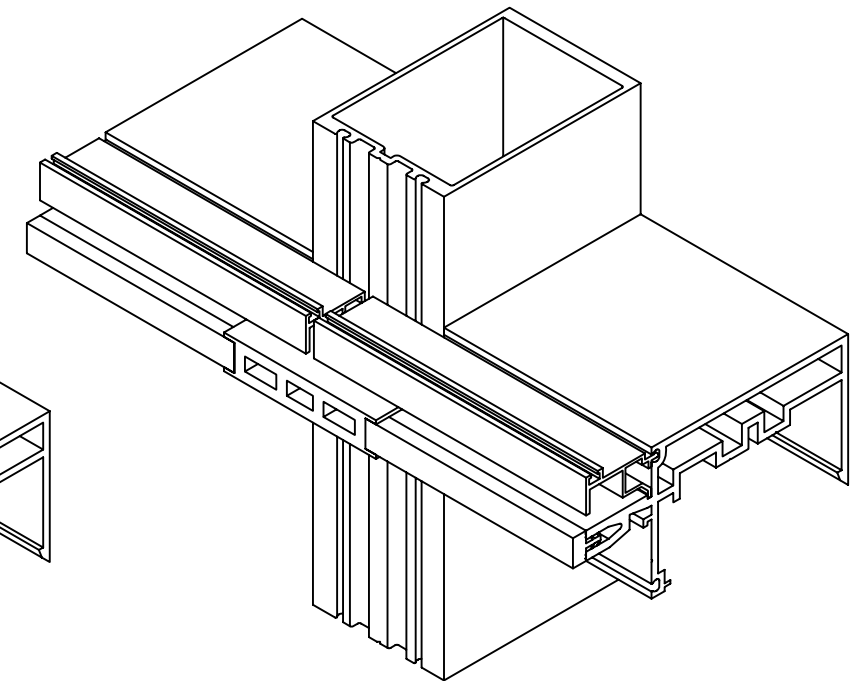
SHALLOW POCKET ADAPTER 163-031



JUST PRIOR TO INSTALLING ADAPTERS SEAL FACE OF INTERIOR HORIZONTAL TO VERTICAL JOINT



CAPTURED VERTICAL



STRUCTURAL GLAZED VERTICAL



1600 GLASSVENT SYSTEM<sup>3</sup>  
 INSTALLATION INSTRUCTIONS

PART NUMBER 163-978 1 OF 5

95455-36  
 03/12/07

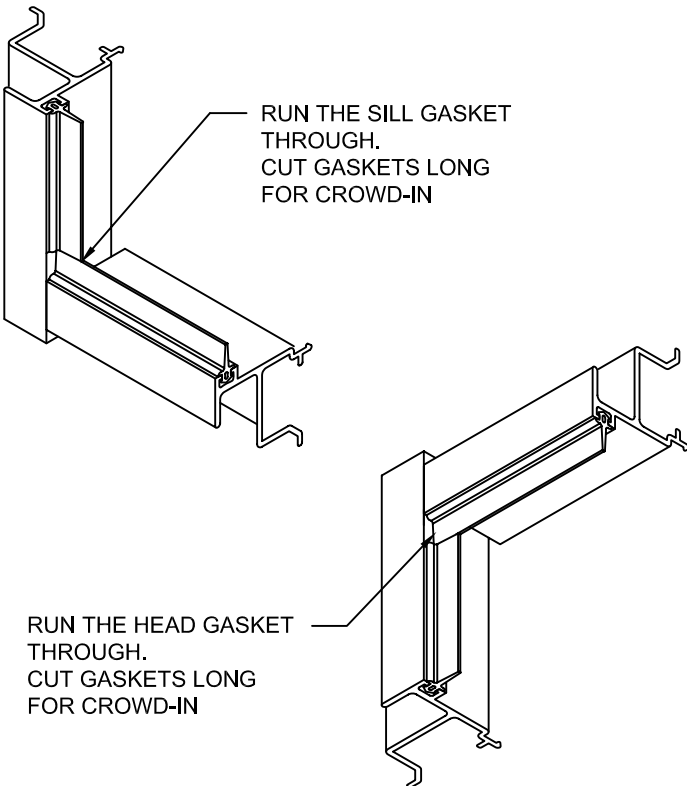
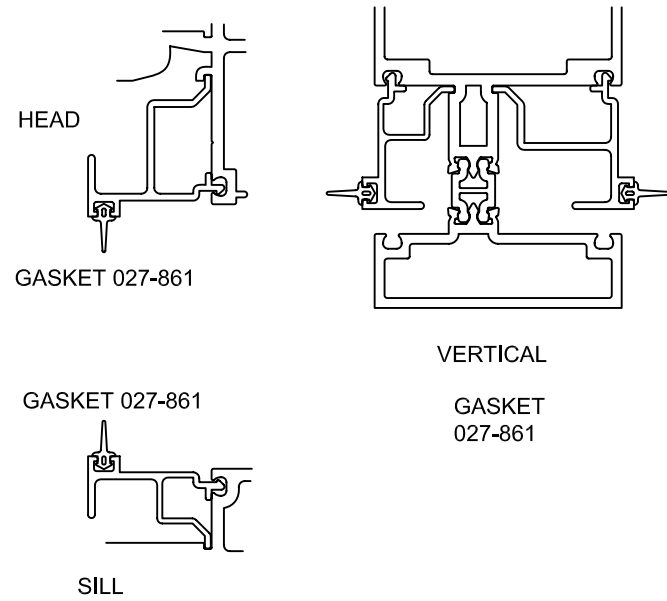
DRAWING:

ORDER:

SHT:

### INSTALL PERIMETER VENT GASKETS

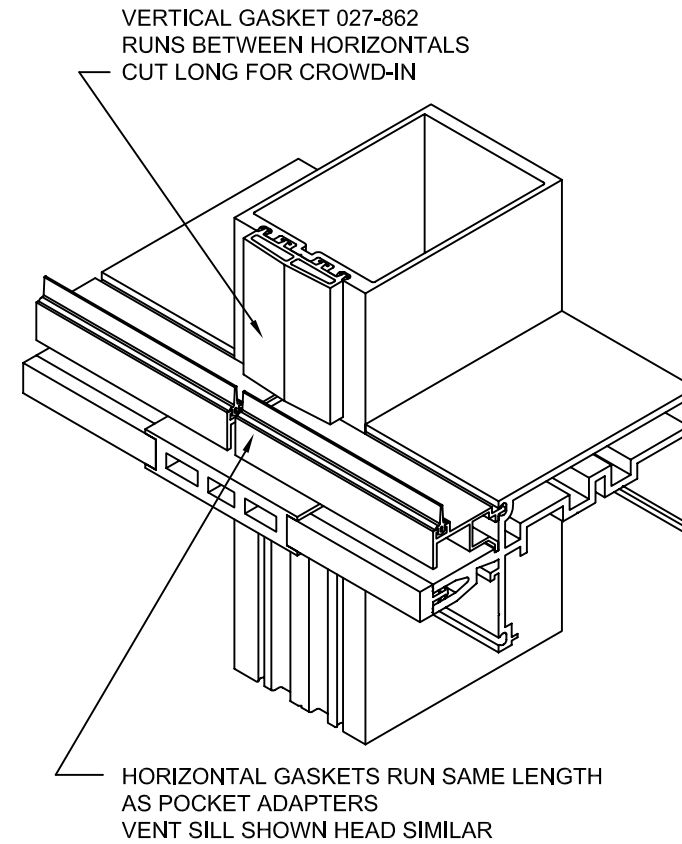
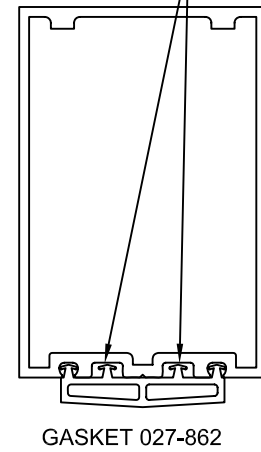
AT CAPTURED VERTICALS



### INSTALL PERIMETER VENT GASKETS

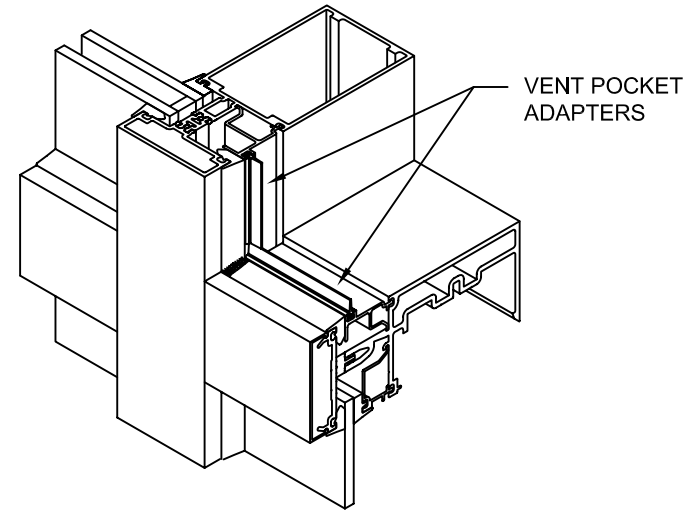
STRUCTURAL GLAZED VERTICALS

SET INTERIOR GASKET DARTS IN SILICONE SEALANT AT EACH END AND APPROXIMATELY 12" ON CENTER



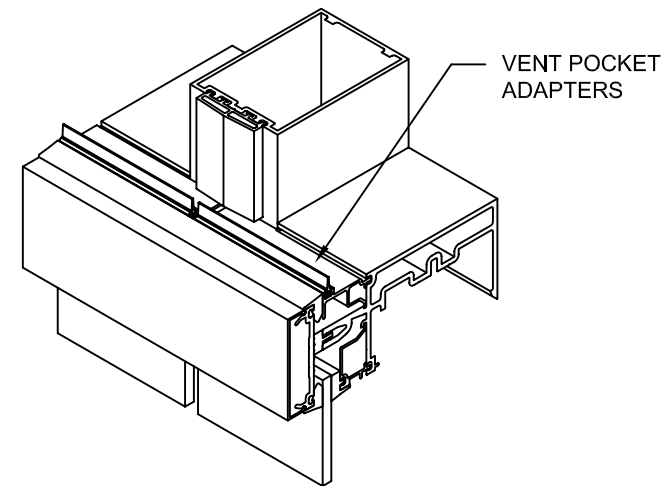
### GLAZE GLASS AND INSTALL PRESSURE PLATES

AFTER INSTALLING VENT POCKET ADAPTERS COMPLETE THE REMAINING STEPS WITH INSTALLATION INSTRUCTIONS 163-970 OR 163-971 FOR GLAZING AND APPLYING EXTERIOR COVERS.



CAPTURED VERTICAL

STRUCTURAL GLAZED VERTICAL



1600 GLASSVENT SYSTEM<sup>3</sup>  
INSTALLATION INSTRUCTIONS

PART NUMBER  
163-978 2 OF 5

95455-36  
03/12/07

DRAWING:

ORDER:

SHT:

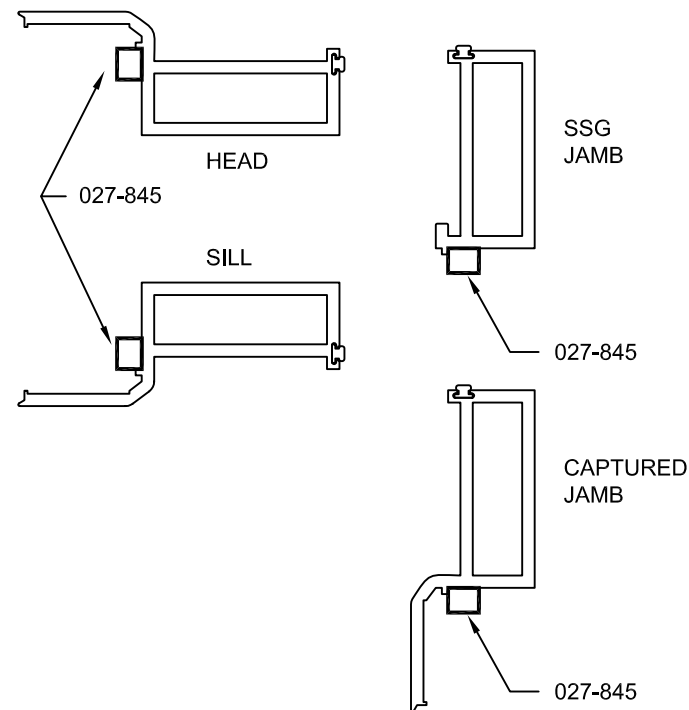
### STRUCTURAL VENT GLAZING

STRUCTURAL SEAL - SEALANT TO BE STRUCTURAL TYPE SILICONE AS RECOMMENDED BY THE SEALANT MANUFACTURER. SEALANT SHALL NOT BE APPLIED UNTIL ALL REQUIRED COMPATIBILITY AND ADHESION TESTING IS COMPLETE. SEALANT MUST BE APPLIED PER THE SEALANT MANUFACTURER'S RECOMMENDATIONS.

EXTERIOR GLASS WEATHER SEAL - SEALANT TO BE A TYPE AS RECOMMENDED BY THE MANUFACTURER OF THE STRUCTURAL SEALANT BEING USED FOR THIS PROJECT. SEALANT MUST BE APPLIED PER THE SEALANT MANUFACTURER'S RECOMMENDATIONS.

### GLASS IS TO HAVE SEAMED EDGES

CLEAN VENT GLAZING AND APPLY 027-845 2 SIDED ADHESIVE TAPE AS SHOWN. TEMPORARILY LEAVE THE PROTECTIVE LINER ON



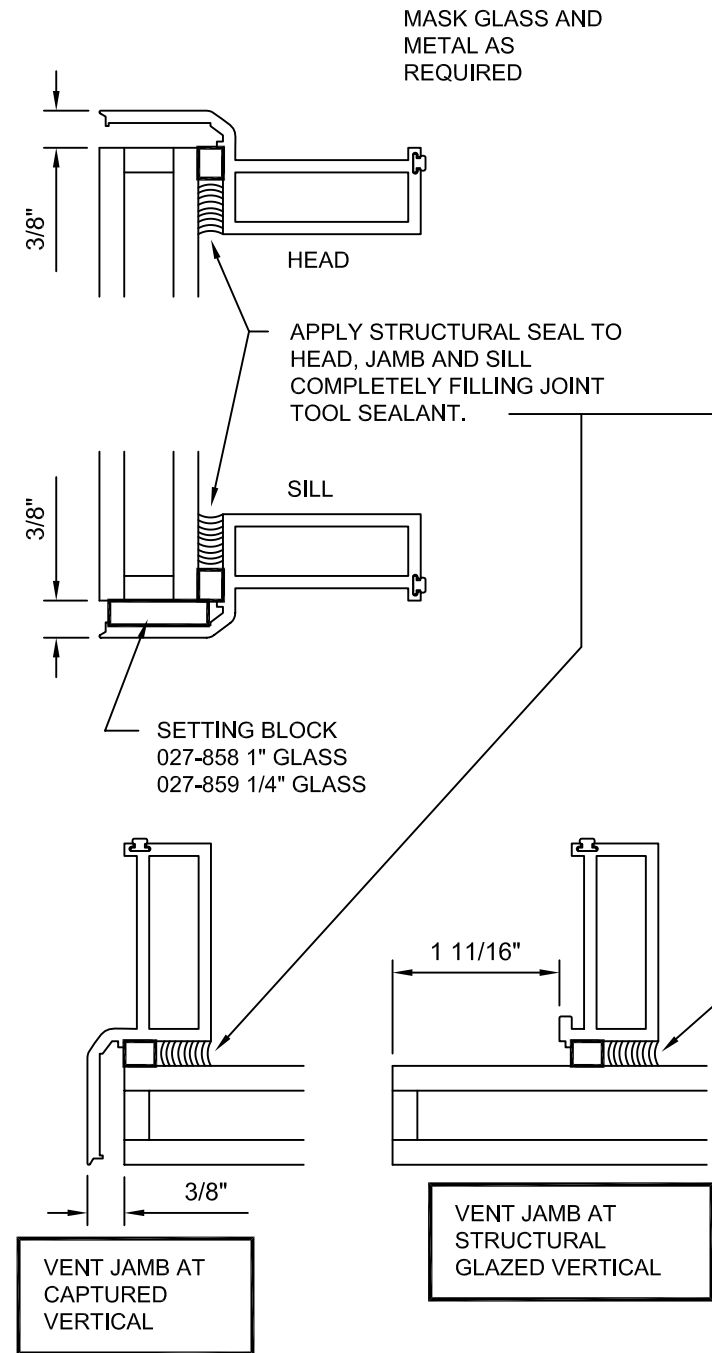
CLEAN THE GLASS PER THE SEALANT MANUFACTURER'S RECOMMENDATIONS.

PLACE THE GLASS ONTO A BENCH USING PROPER BLOCKING METHODS.

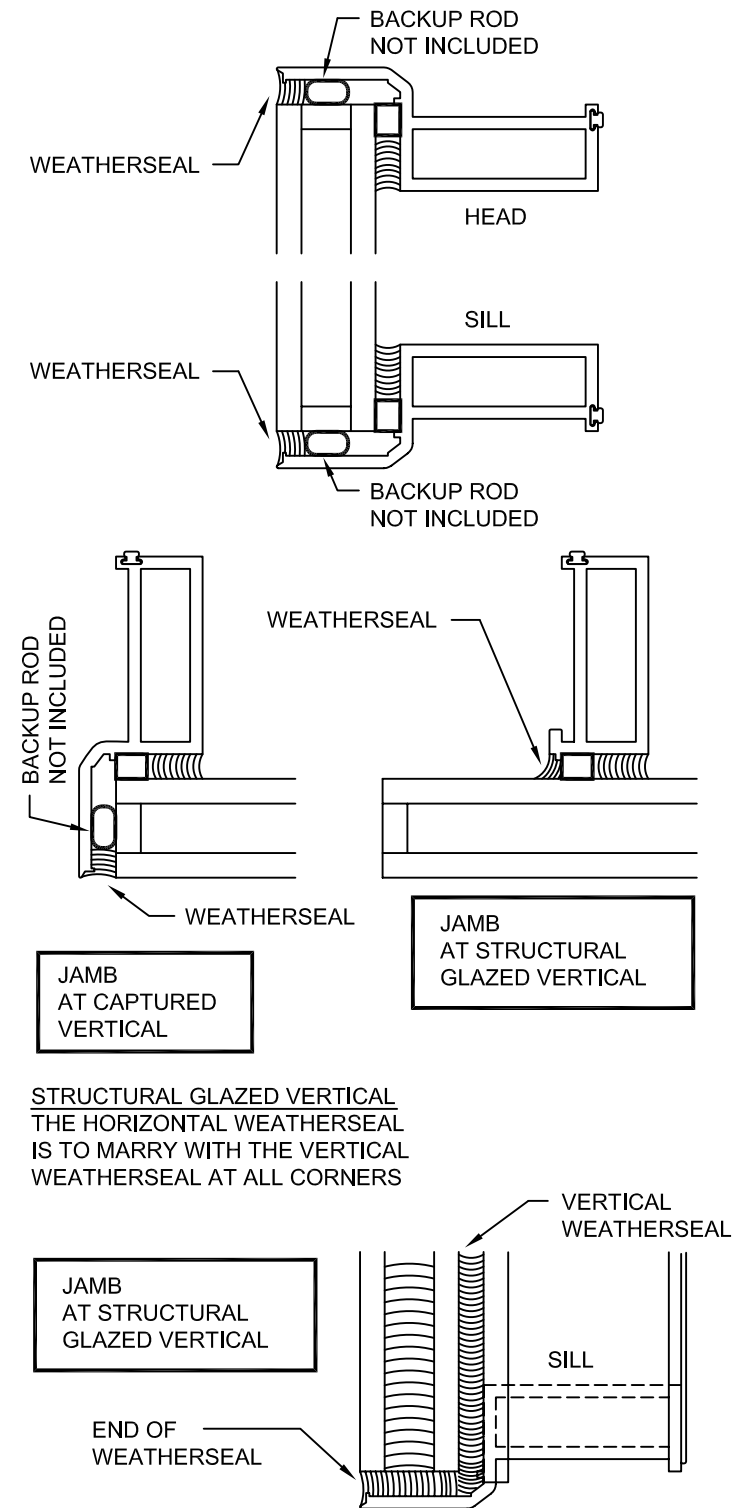
PLACE THE VENT ON THE GLASS AND SHIFT AGAINST SETTING BLOCKS AND TO THE SPECIFIED EDGE OVERLAP.

REMOVE THE TAPE PROTECTIVE LINER AFTER CENTERING THE GLASS.

### APPLY STRUCTURAL SEAL



### APPLY WEATHERSEAL



ALLOW THE SEALANT TO CURE PER THE SEALANT MANUFACTURER'S RECOMMENDATIONS.



1600 GLASSVENT SYSTEM<sup>3</sup>  
INSTALLATION INSTRUCTIONS

PART NUMBER  
163-978 3 OF 5

95455-36  
03/12/07

DRAWING:

ORDER:

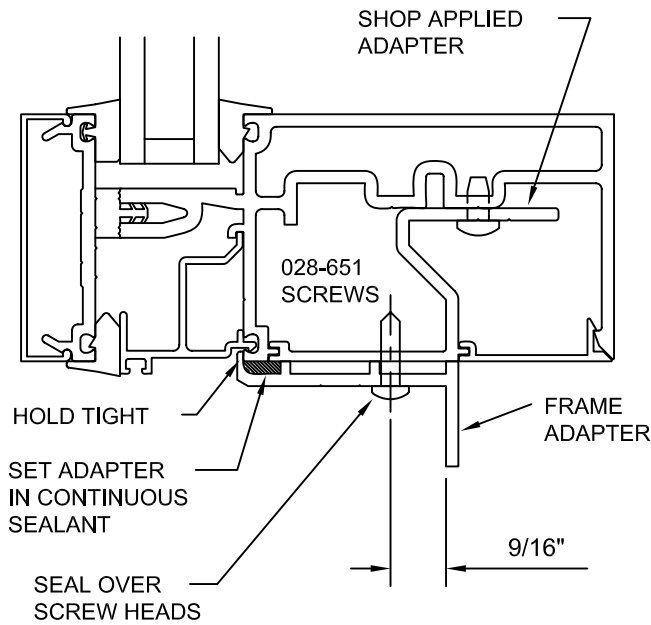
SHT:

### INSTALL VENT FRAME ADAPTERS

VENT FRAME ADAPTERS ARE HANDED. SEE APPROVED SHOP DRAWINGS FOR LOCATION.

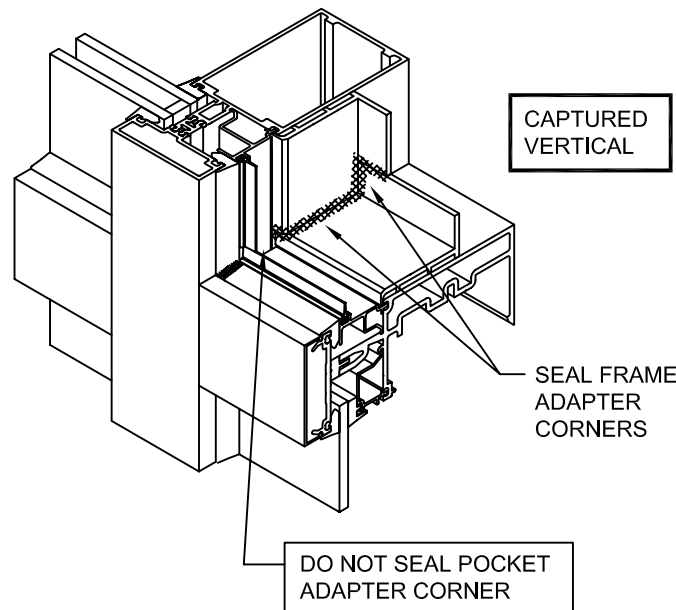
HOLD ADAPTERS TIGHT AGAINST MULLION AS SHOWN. USING HOLES IN ADAPTERS MATCH DRILL MULLIONS WITH #26 DRILL 0.147 DIA. AND APPLY WITH 028-651 SCREWS #10 X 3/4 PAN HEAD TYPE AB.

AT THIS TIME USE ONLY HOLES FOR ADAPTER ATTACHMENT.



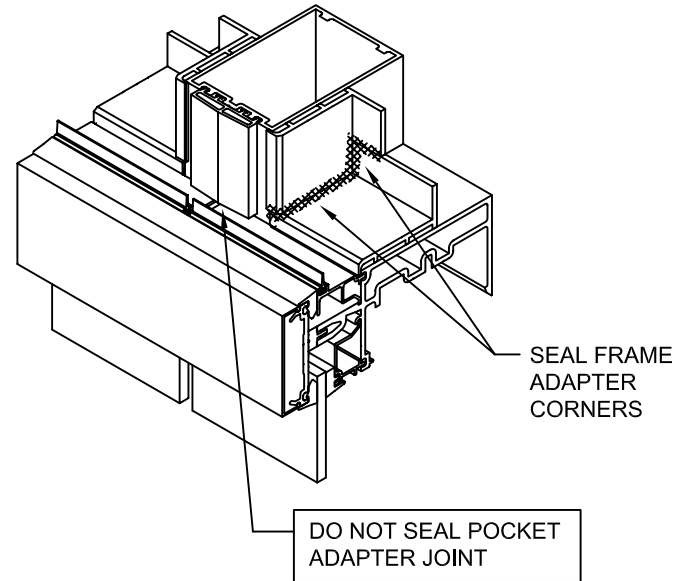
APPLY ADAPTERS TO ALL 4 SIDES AND SEAL CORNERS AS SHOWN.

DO NOT SEAL POCKET ADAPTER CORNERS.  
THESE CORNERS ARE FOR WATER DRAINAGE.

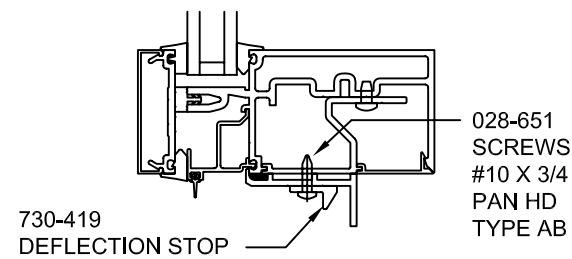


### INSTALL VENT FRAME ADAPTERS

STRUCTURAL GLAZED VERTICAL



### INSTALL DEFLECTION STOP

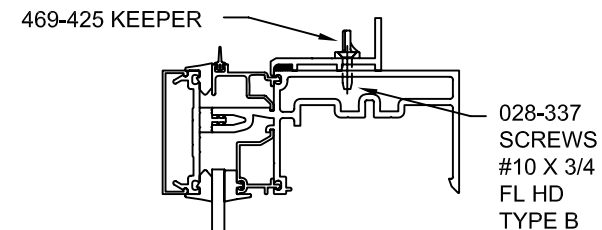


APPLY DEFLECTION STOP. USING HOLES IN ADAPTERS DRILL HORIZONTAL WITH #26 DRILL 0.147 DIA. AND APPLY WITH 028-651 SCREWS. ADJUST STOP ALL THE WAY TO THE EXTERIOR AND SNUG TIGHTEN SCREWS. ADJUSTMENT WILL BE REQUIRED AFTER THE VENT IS INSTALLED.

### INSTALL CONCEALED LOCK KEEPER

(IF CONCEALED LOCKS ARE USED)

USING HOLES IN ADAPTERS DRILL HORIZONTAL WITH #26 DRILL 0.147 DIA AND APPLY KEEPER USING 028-337 SCREWS. SET SCREWS IN SEALANT.

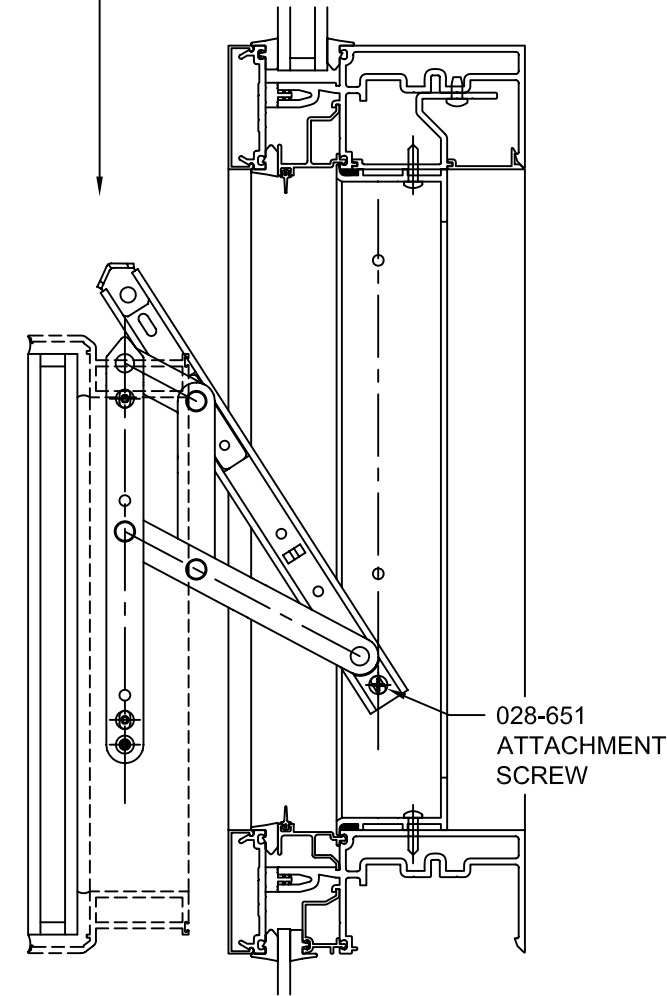


### INSTALL GLAZED VENT

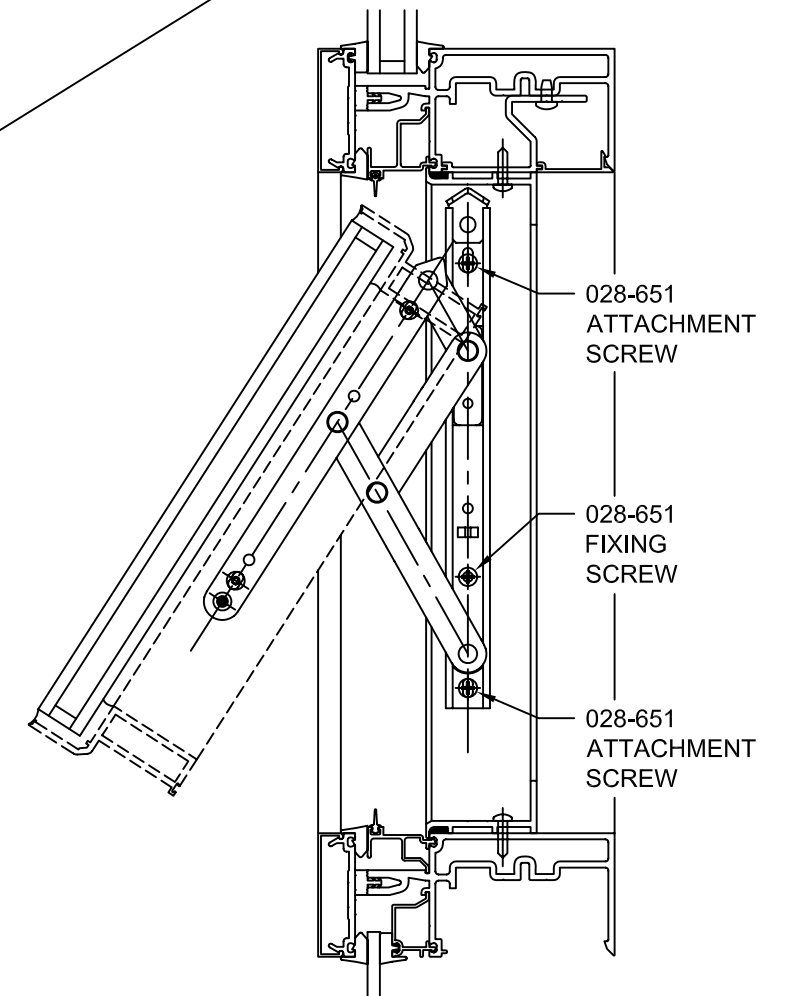
BEFORE INSTALLING VENT DRILL HOLES IN THE MULLIONS USING THE REMAINING ADAPTER HOLES AS PILOTS. USE A #26 DRILL 0.147 DIA.

INSTALL THE VENT BY SCREW APPLYING THE 4-BAR HINGES TO THE JAMBS USING 028-651 SCREWS #10 X 3/4 PAN HEAD TYPE AB. APPLY SEALANT TO THE SCREW HOLES BEFORE INSTALLING 4-BAR HINGE AND SCREWS.

HOLD THE VENT VERTICAL AND INSTALL THE LOWER ATTACHMENT SCREW FIRST.



THEN ROTATE THE VENT AND INSTALL THE TOP ATTACHMENT SCREW.



POSITION THE SCREWS IN THE CENTER OF THE 4-BAR HINGE SLOTS.

SHUT THE VENT AND LOCK. CHECK FOR VERTICAL ALIGNMENT. ADJUST AS REQUIRED BY LOOSENING 028-651 SCREWS.

WITH THE VENT CENTERED DRILL AS ABOVE AND INSTALL 028-651 FIXING SCREW. SET THE SCREW IN SEALANT.



1600 GLASSVENT SYSTEM<sup>3</sup>  
INSTALLATION INSTRUCTIONS

PART NUMBER  
163-978 4 OF 5

95455-36  
03/12/07

DRAWING:

ORDER:

SHT:

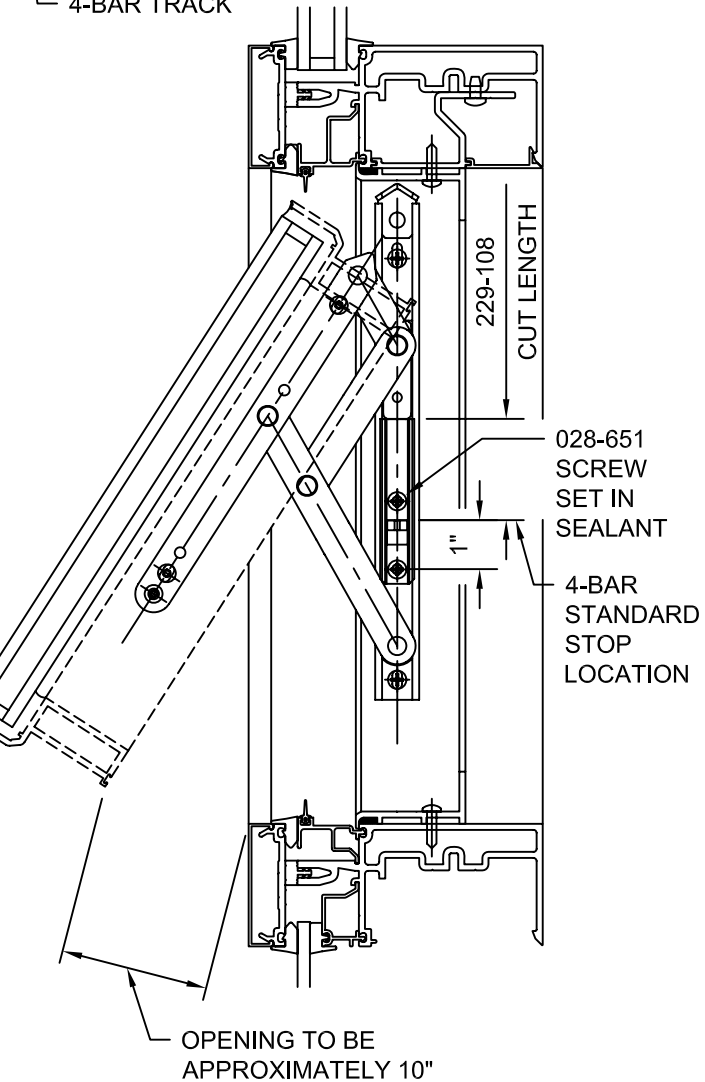
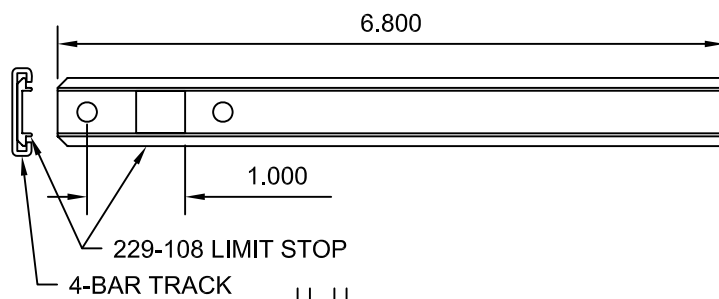
### INSTALL 229-108 4-BAR LIMIT STOPS IF USED

IF THE 1600 DLO HEIGHT IS BETWEEN 36" AND 48" THE VENT OPENING IS TO BE LIMITED AS SHOWN BELOW. 229-108 STOPS WILL BE FURNISHED FOR USING WITH THE 4-BAR HINGES.

THE 229-108 STOP IS FURNISHED 6.800" LONG. CUT AS REQUIRED TO LIMIT THE OPENING TO APPROXIMATELY 10".

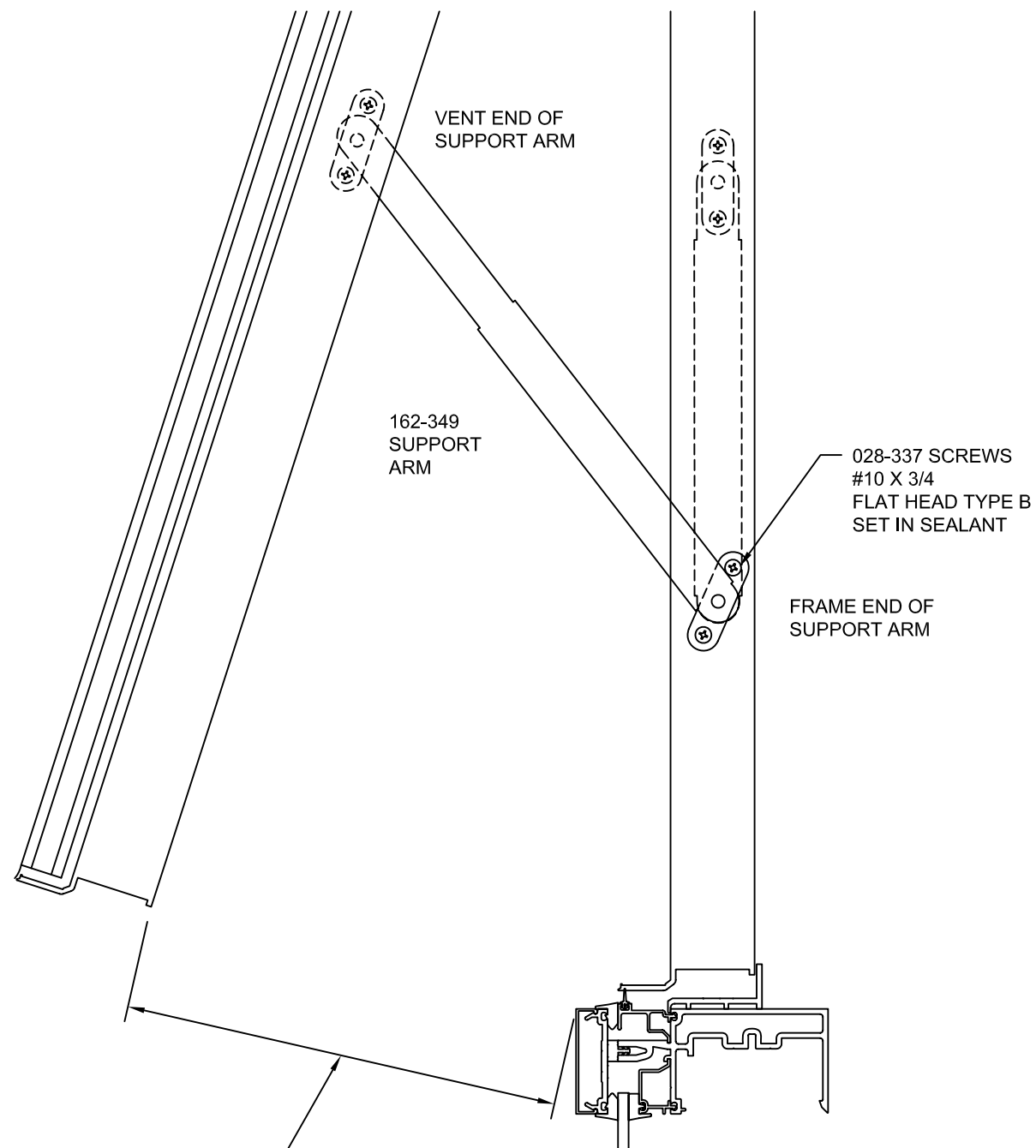
DRILL 0.147 DIA. HOLES (#26 DRILL) AND INSTALL WITH 028-651 SCREWS. #10 X 3/4 PAN HEAD TYPE AB

THE 4-BAR HINGE HAS A PRE-PUNCHED HOLE FOR THE 028-651 SCREWS.



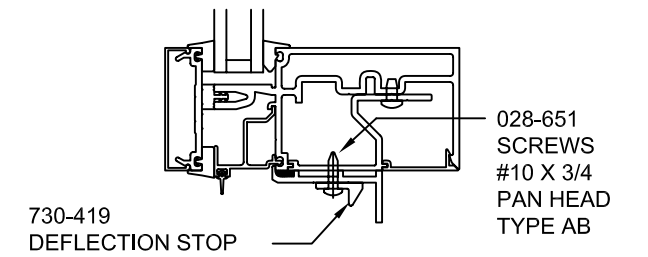
### INSTALL 162-349 SUPPORT ARMS IF USED

IF THE 1600 DLO HEIGHT IS OVER 48" IN HEIGHT 162-349 SUPPORT ARMS ARE TO BE USED IN ADDITION TO THE STANDARD 4-BAR HINGES. USING HOLES IN THE ADAPTERS DRILL VERTICAL WITH #26 DRILL 0.147 DIA. APPLY THE FRAME END OF SUPPORT ARM TO VERTICALS USING 028-337 SCREWS. THE VENT END OF SUPPORT ARM WILL BE FACTORY INSTALLED WITH 977-110 SCREWS.



CLEAR OPENING WILL VARY FROM APPROXIMATELY 10-1/2" FOR A 48" HIGH VENT TO APPROXIMATELY 8-1/2" FOR A 78" HIGH VENT

### ADJUST DEFLECTION STOP



WITH THE VENT OPEN, LOOSEN SCREWS SO STOP WILL SLIDE. THEN SLIDE DEFLECTION STOP TOWARDS THE INTERIOR. CLOSE VENT AND LOCK. OPEN THE VENT CAREFULLY AND TIGHTEN DEFLECTION STOP SCREW.



1600 GLASSVENT SYSTEM<sup>3</sup>  
INSTALLATION INSTRUCTIONS

PART NUMBER  
163-978 5 OF 5

95455-36  
03/12/07

DRAWING:

ORDER:

SHT: