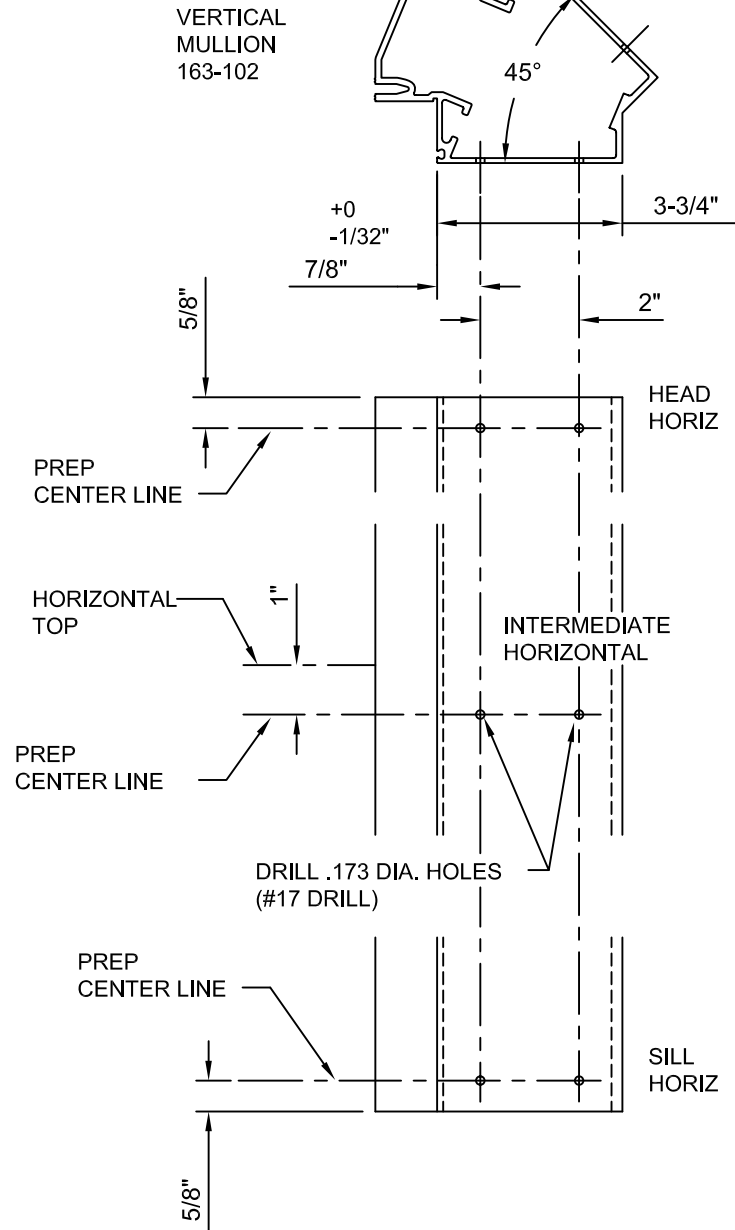


USE THESE INSTRUCTIONS IN CONJUNCTION WITH THE FOLLOWING INSTRUCTIONS
 163-970 SYSTEM³ INSTALLATION
 163-960 SYSTEM³ STOCK LENGTH

VERTICAL MULLION FABRICATION

REFERENCE APPROVED SHOP DRAWINGS FOR VERTICAL LENGTHS AND HORIZONTAL LOCATIONS.

6" SYSTEM 135° OUTSIDE



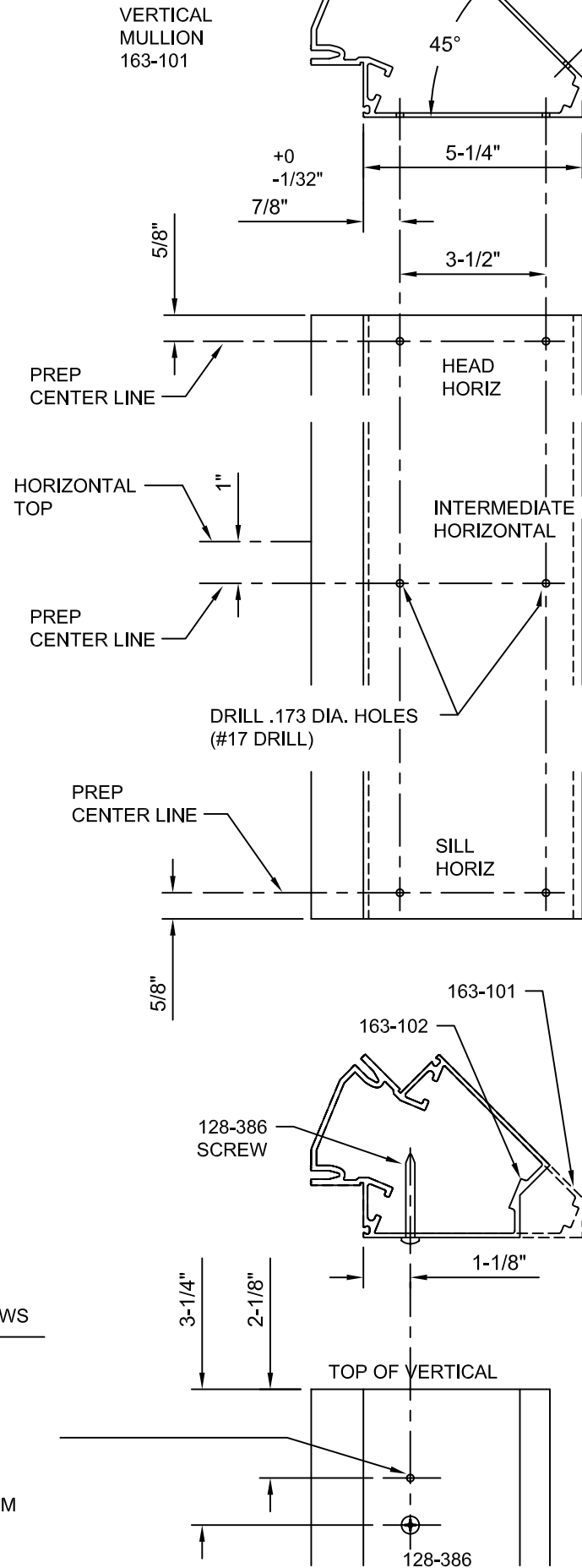
FOR SPLICE SLEEVE FIXING AND STOP SCREWS

DRILL TWO .173 DIA HOLES (#17 DRILL) AS SHOWN

THE TOP HOLE WILL BE FOR THE SLEEVE FIXING SCREW (128-386)

INSTALL STOP SCREW 128-386 IN THE BOTTOM HOLE

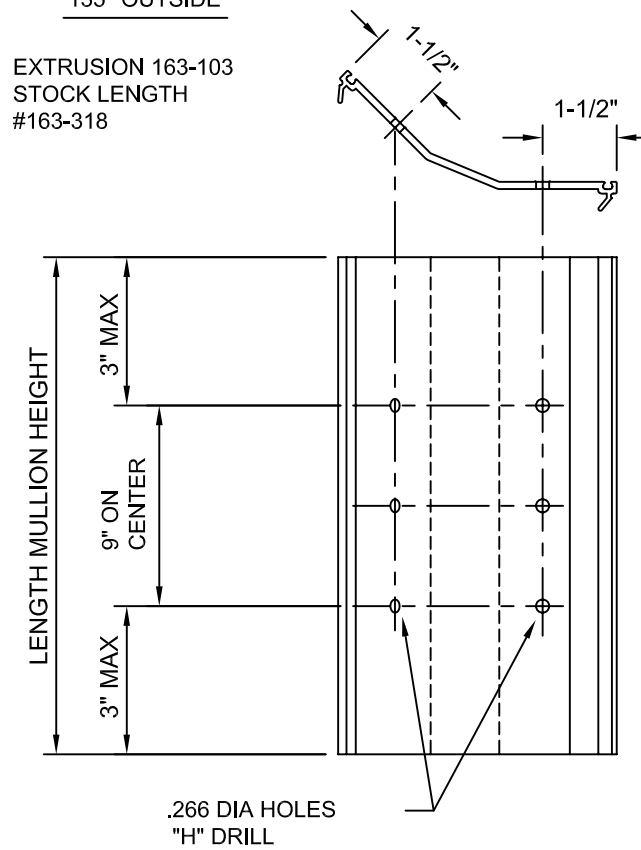
7-1/2" SYSTEM 135° OUTSIDE



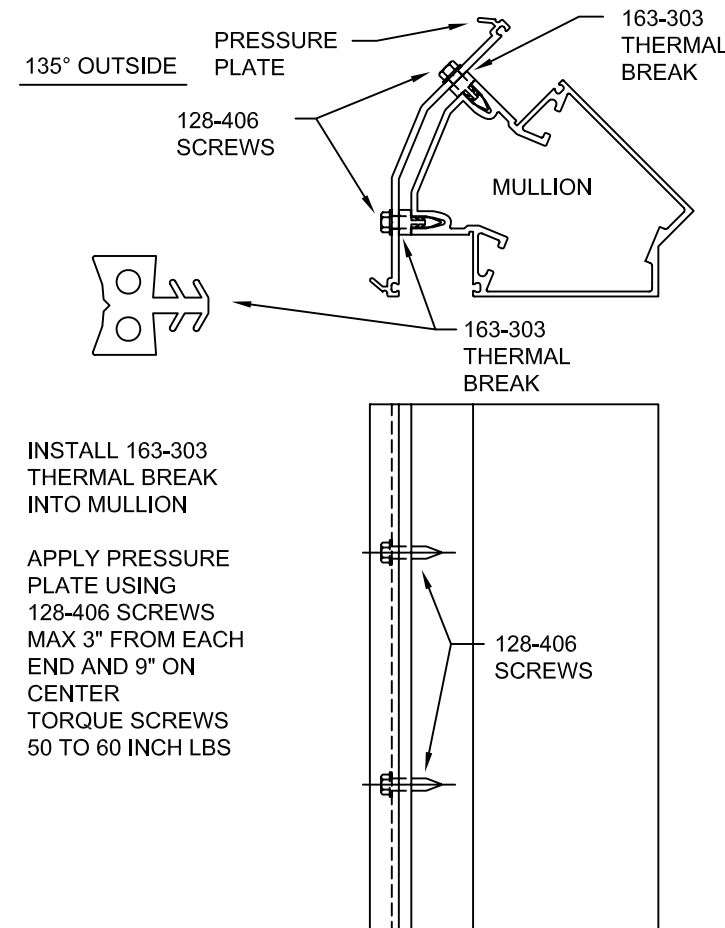
PRESSURE PLATE FABRICATION

135° OUTSIDE

EXTRUSION 163-103
 STOCK LENGTH
 #163-318

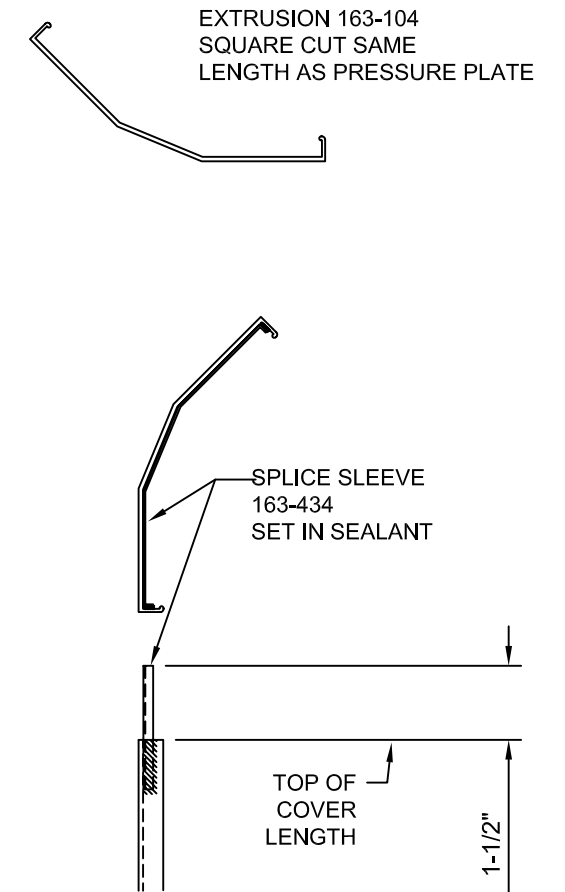


PRESSURE PLATE APPLICATION



COVER FABRICATION

135° OUTSIDE



1600 SYSTEM³
 135° CORNER INSTRUCTIONS

PART NUMBER
 163-972 1 OF 3

95455-36
 03/12/07

DRAWING:

ORDER:

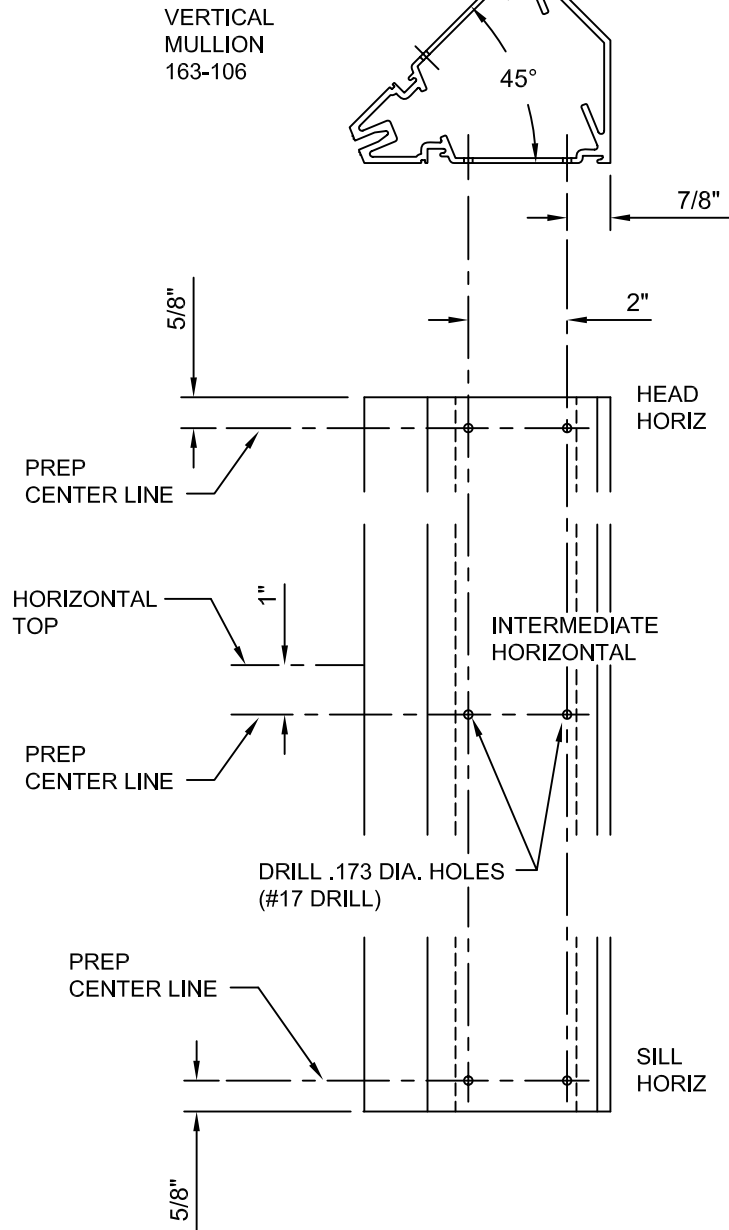
SHT:

USE THESE INSTRUCTIONS IN CONJUNCTION WITH THE FOLLOWING INSTRUCTIONS
 163-970 SYSTEM³ INSTALLATION
 163-960 SYSTEM³ STOCK LENGTH

VERTICAL MULLION FABRICATION

REFERENCE APPROVED SHOP DRAWINGS FOR VERTICAL LENGTHS AND HORIZONTAL LOCATIONS.

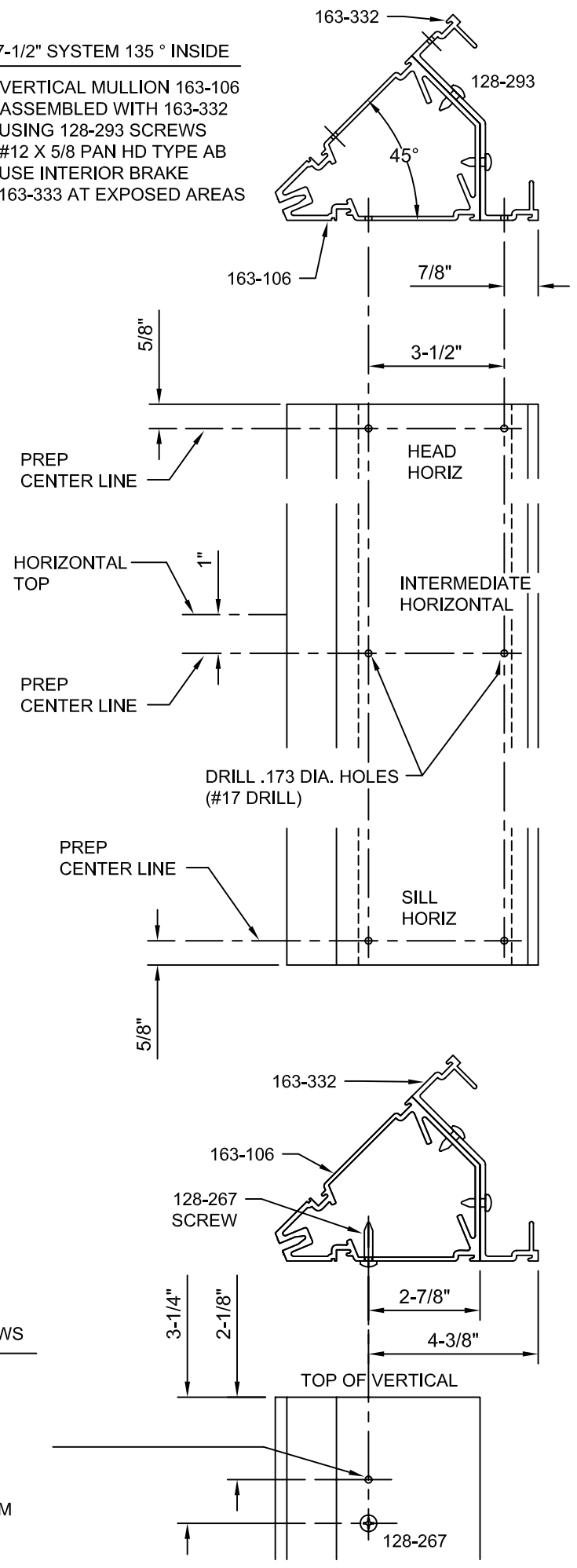
6" SYSTEM 135° INSIDE



FOR SPLICE SLEEVE FIXING AND STOP SCREWS

DRILL TWO .173 DIA HOLES (#17 DRILL) AS SHOWN
 THE TOP HOLE WILL BE FOR THE SLEEVE FIXING SCREW (128-267)
 INSTALL STOP SCREW 128-267 IN THE BOTTOM HOLE

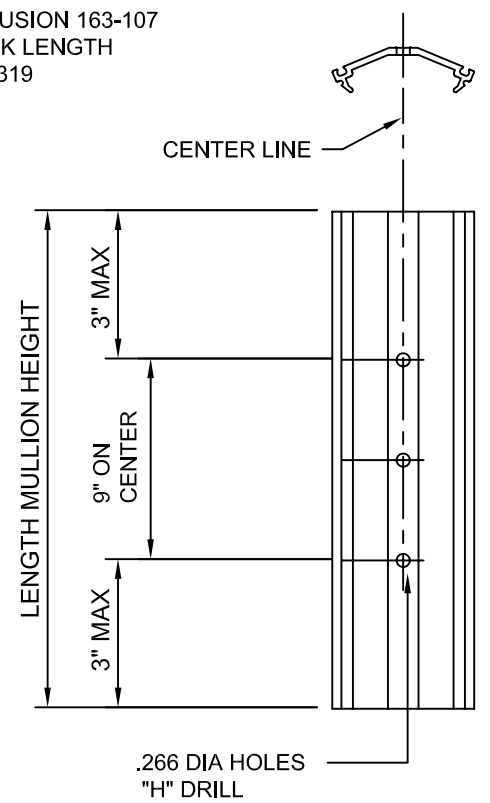
7-1/2" SYSTEM 135° INSIDE
 VERTICAL MULLION 163-106 ASSEMBLED WITH 163-332 USING 128-293 SCREWS #12 X 5/8 PAN HD TYPE AB USE INTERIOR BRAKE 163-333 AT EXPOSED AREAS



PRESSURE PLATE FABRICATION

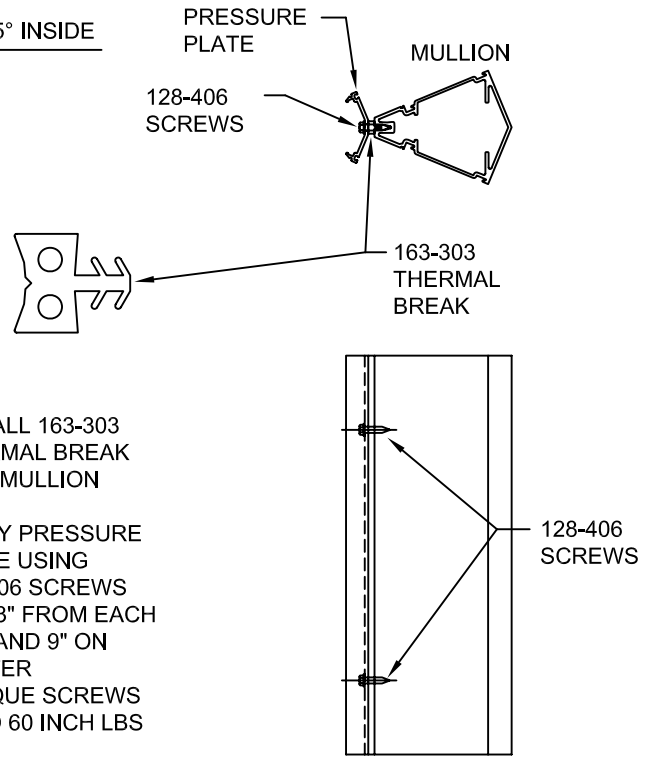
135° INSIDE

EXTRUSION 163-107 STOCK LENGTH #163-319



PRESSURE PLATE APPLICATION

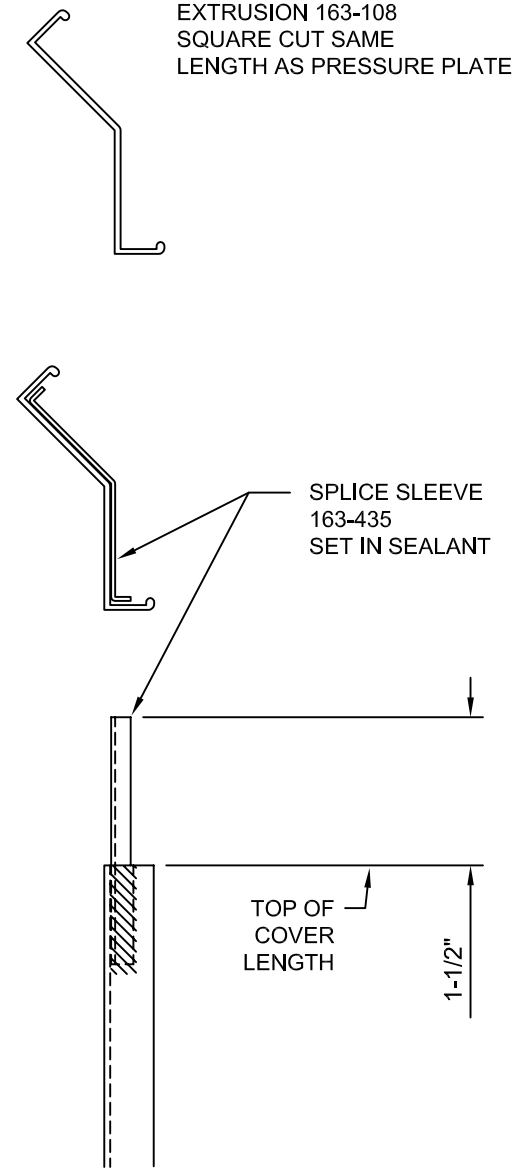
135° INSIDE



COVER FABRICATION

135° INSIDE

EXTRUSION 163-108 SQUARE CUT SAME LENGTH AS PRESSURE PLATE



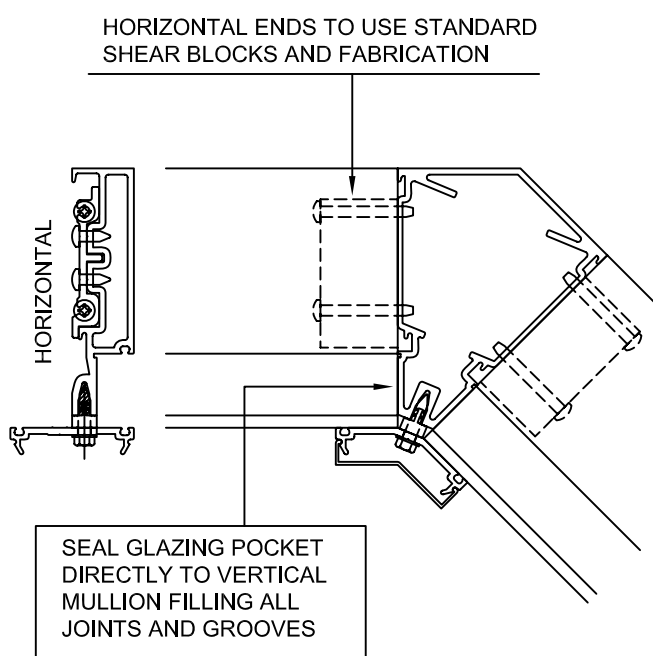
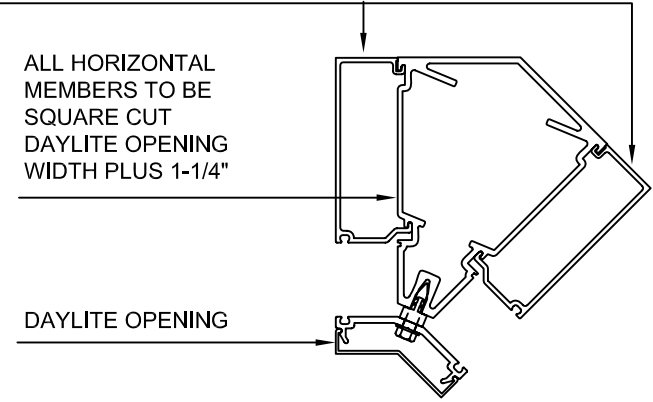
KAWNEER
 1600 SYSTEM³
 135° CORNER INSTRUCTIONS
 PART NUMBER 163-972 2 OF 3

| |
|----------------------|
| 95455-36 03/12/07 |
| DRAWING: |
| ORDER: |
| SHT: |

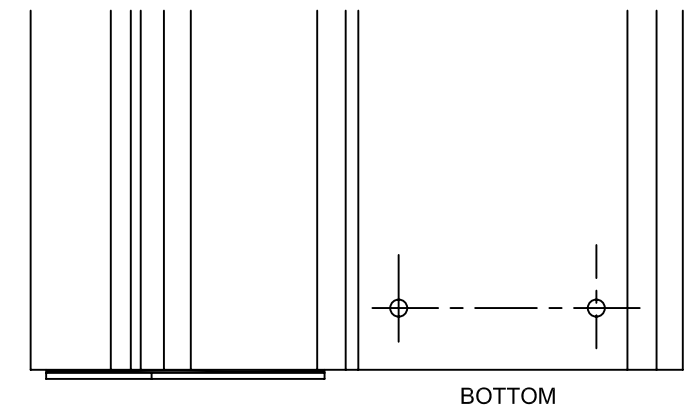
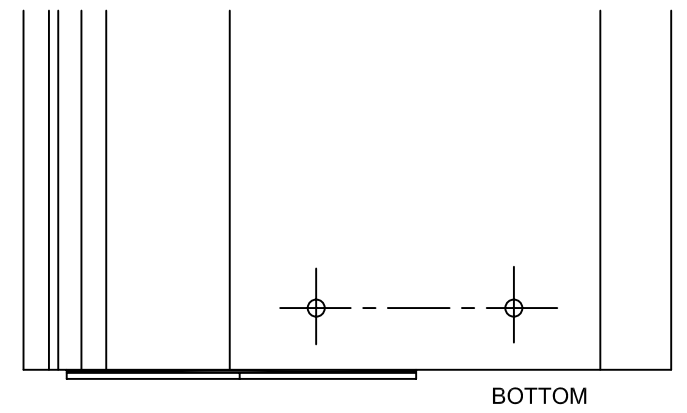
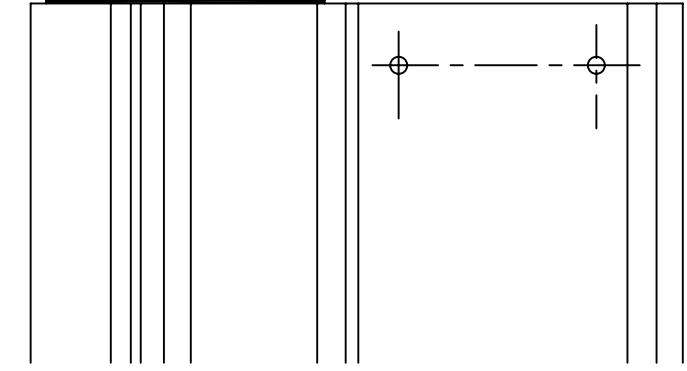
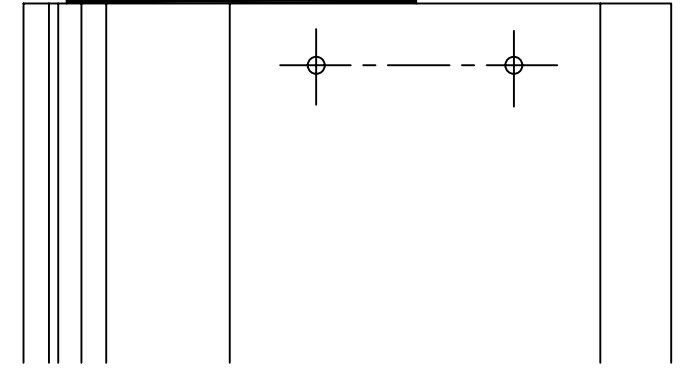
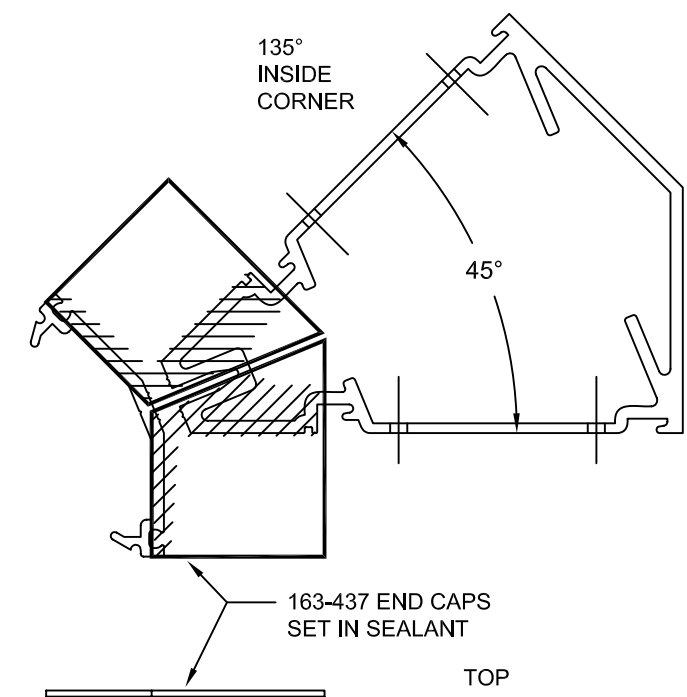
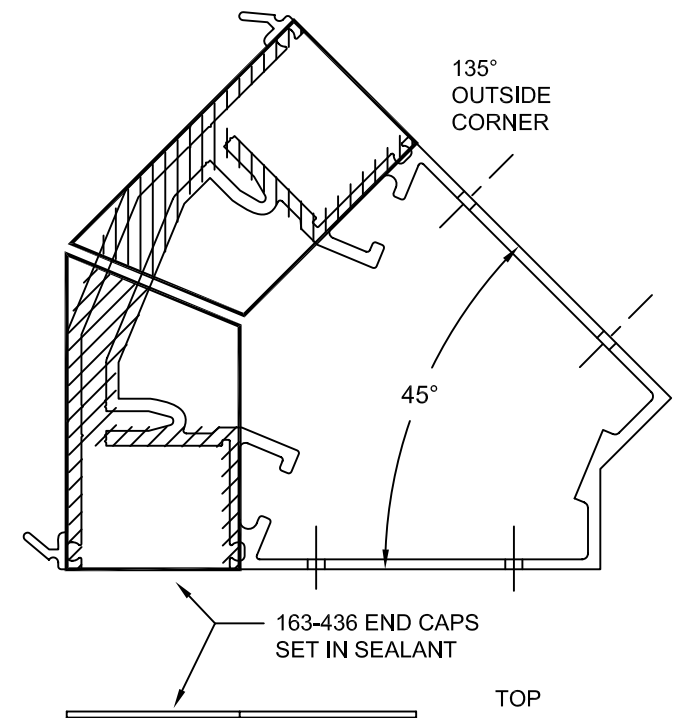
USE THESE INSTRUCTIONS IN CONJUNCTION WITH THE FOLLOWING INSTRUCTIONS
 163-970 SYSTEM³ INSTALLATION
 163-960 SYSTEM³ STOCK LENGTH

135° INSIDE CORNER SPECIAL
FABRICATION AND SEALING

VERTICAL STOPS
 163-011 6" SYSTEM 1" INFILL
 163-012 6" SYSTEM 1/4" INFILL
 163-013 7-1/2" SYSTEM 1" INFILL
 163-014 7-1/2" SYSTEM 1/4" INFILL
 SQUARE CUT DAYLITE OPENING HEIGHT MINUS 1/32"



135° CORNER END CAP APPLICATION



| | |
|---|----------------------|
| <p>1600 SYSTEM³ 135° CORNER INSTRUCTIONS</p> <p>PART NUMBER 163-972 3 OF 3</p> | 95455-36 03/12/07 |
| | DRAWING: |
| | ORDER: |
| | SHT: |