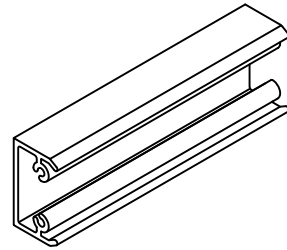


GENERAL NOTES

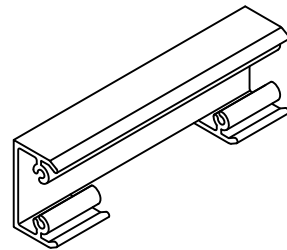
THESE SUPPLEMENTAL INSTRUCTIONS SHOW THE ITEMS THAT ARE UNIQUE TO THE 10 1/2" DEPTH SYSTEM ONLY. REFER TO THE STANDARD INSTALLATION INSTRUCTIONS FOR ALL ITEMS NOT ADDRESSED HEREIN.

FRAME ASSEMBLY

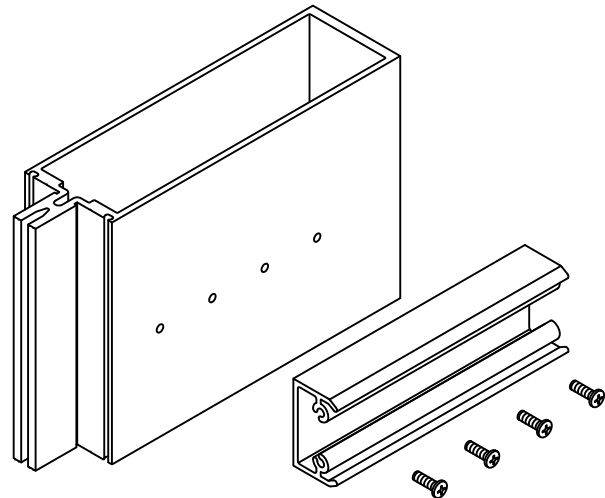
ATTACH SHEAR BLOCKS.



TYPICAL SHEAR BLOCKS 162-347



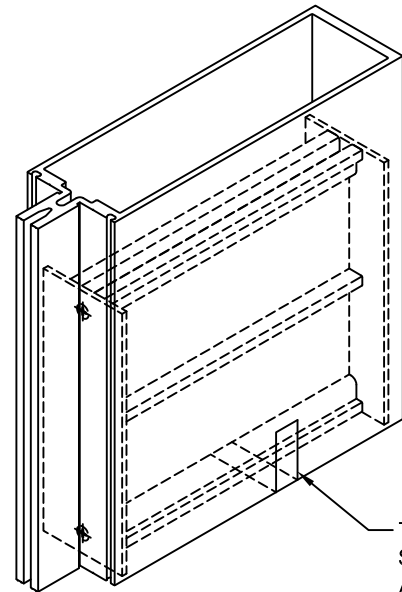
OPTIONAL HEAD AND SILL SHEAR BLOCKS 162-347 MODIFIED AS SHOWN TO CLEAR ANCHOR BOLTS IF REQUIRED



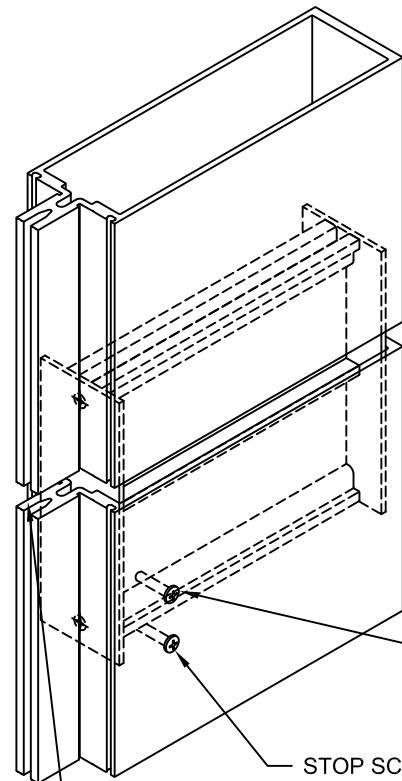
ATTACH SHEAR BLOCKS WITH FOUR (4) 128-396 SCREWS #12 x 7/16" B PAN HEAD TYPE B

FRAME ASSEMBLY

VERTICAL SPLICE JOINTS



TAPE THE 162-381 SPLICE SLEEVE ASSEMBLY INTO THE BOTTOM OF THE TOP VERTICAL.



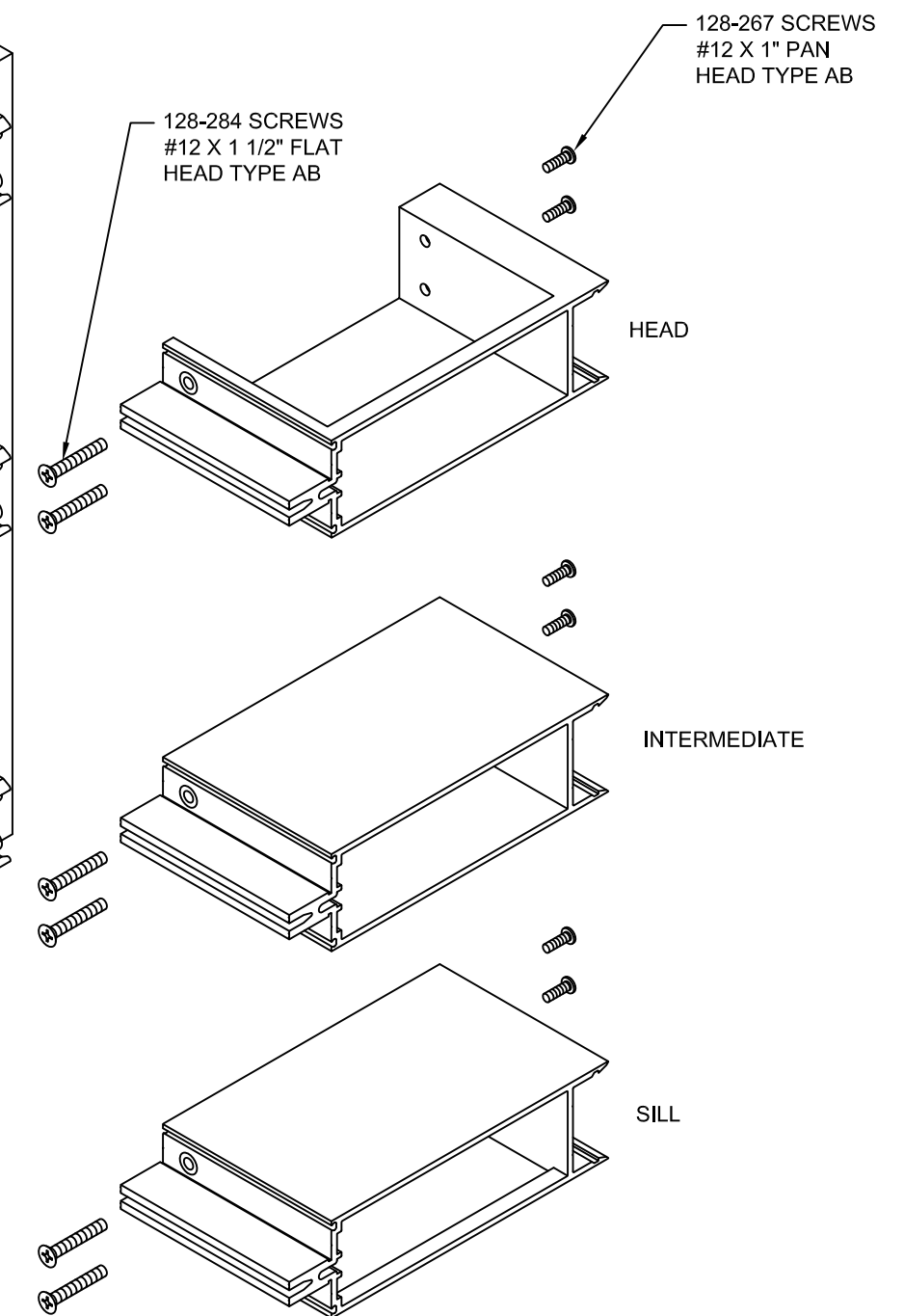
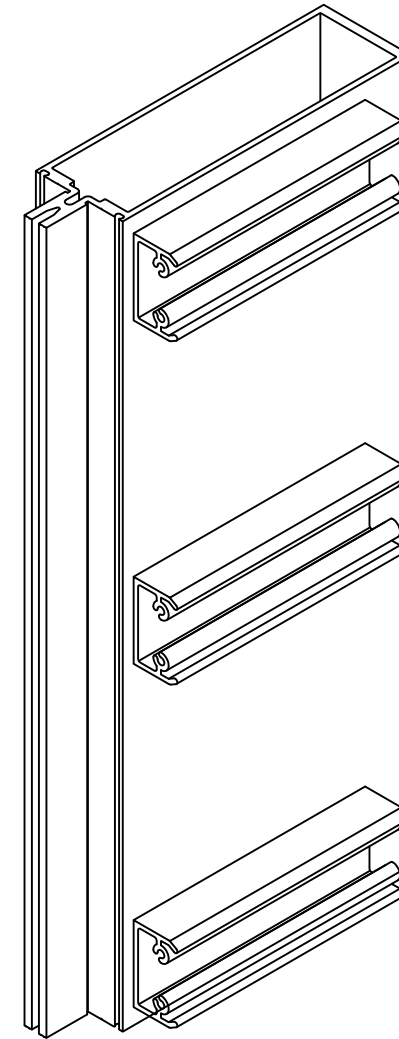
REMOVE THE TAPE AND LET THE SLEEVE SLIDE DOWN TO THE PRE-APPLIED STOP SCREW

FIXING SCREW 128-112 #12 x 1 1/2" PAN HEAD TYPE AB

STOP SCREW 128-112 #12 x 1 1/2" PAN HEAD TYPE AB

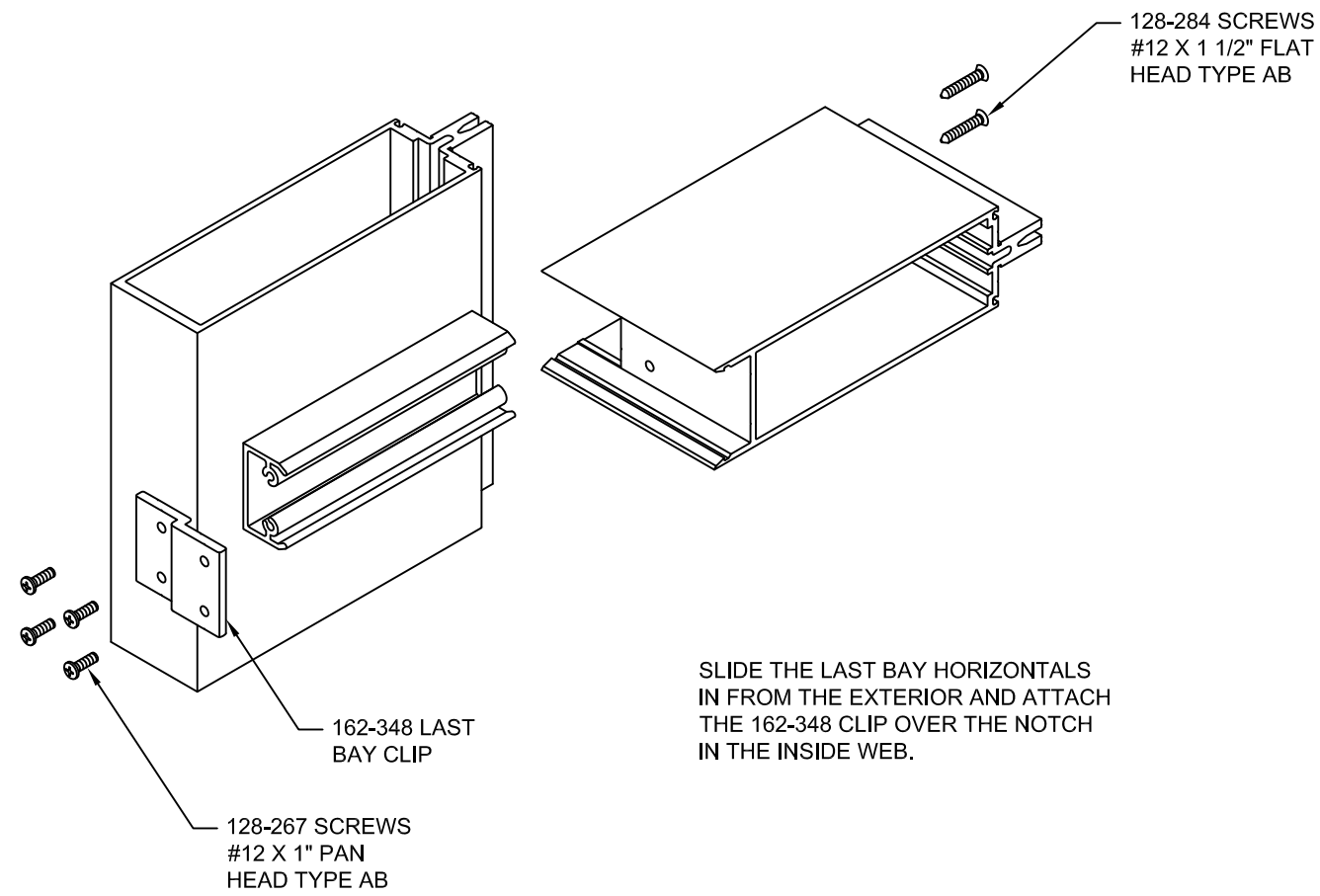
USE TEMPORARY SPACERS FOR JOINT DIMENSION

INSTALL HEAD/SILL AND INTERMEDIATE HORIZONTALS



		1600 SYSTEM 1 10 1/2" DEPTH SUPPLEMENTAL INSTRUCTIONS
Product Engineering & Development		
95449-81 06/03/11	162-992 SHEET 01 OF 02	

INSTALL HORIZONTALS
AT LAST BAY



Product Engineering & Development

1600 SYSTEM 1
10 1/2" DEPTH
SUPPLEMENTAL
INSTRUCTIONS

95449-81
06/03/11

162-992 SHEET 02 OF 02