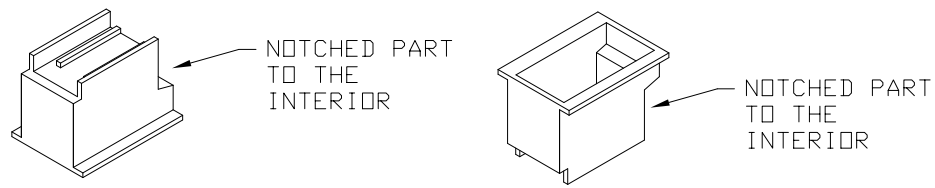
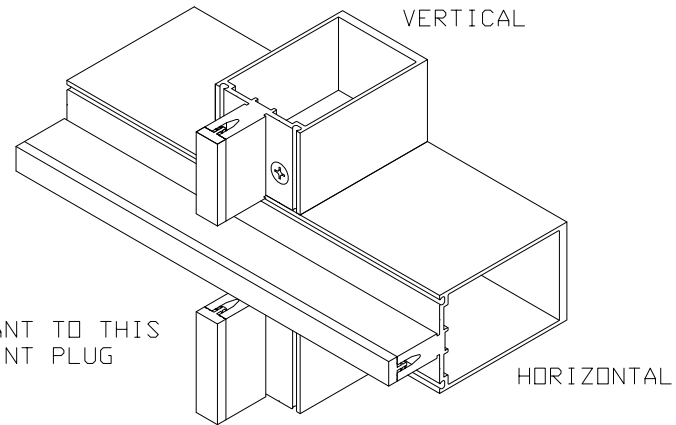


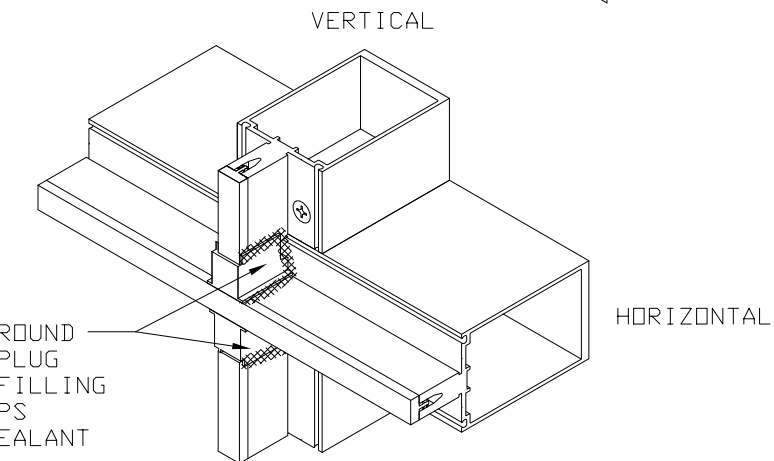
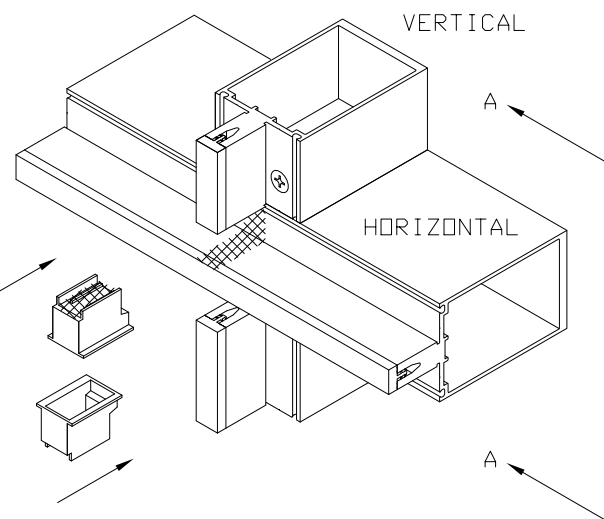
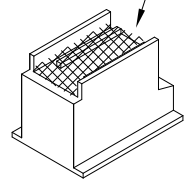
JOINT PLUG  
162-321 1" FRAMING  
162-322 1/4" FRAME MEMBERS



SUPPLEMENTARY INSTRUCTIONS FOR  
HORIZONTAL FRAMING RUNNING THRU  
AND VERTICAL PRESSURE PLATE  
RUNNING THRU VERTICALLY  
USE THESE INSTRUCTIONS IN  
CONJUNCTION WITH INSTRUCTIONS  
162-970 OR 162-971

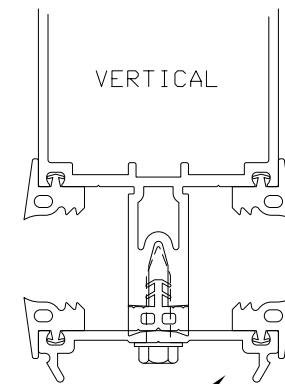
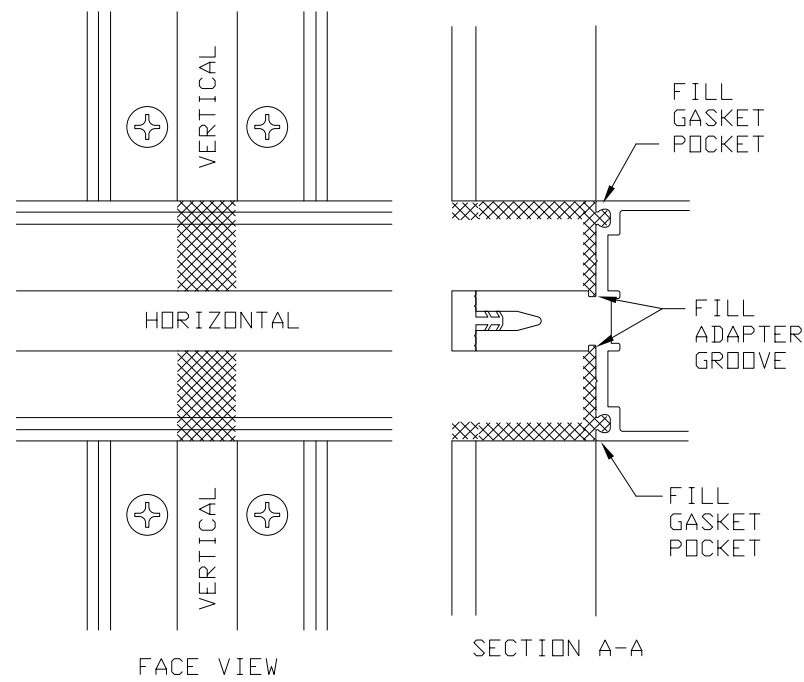


APPLY SEALANT TO THIS  
FACE OF JOINT PLUG



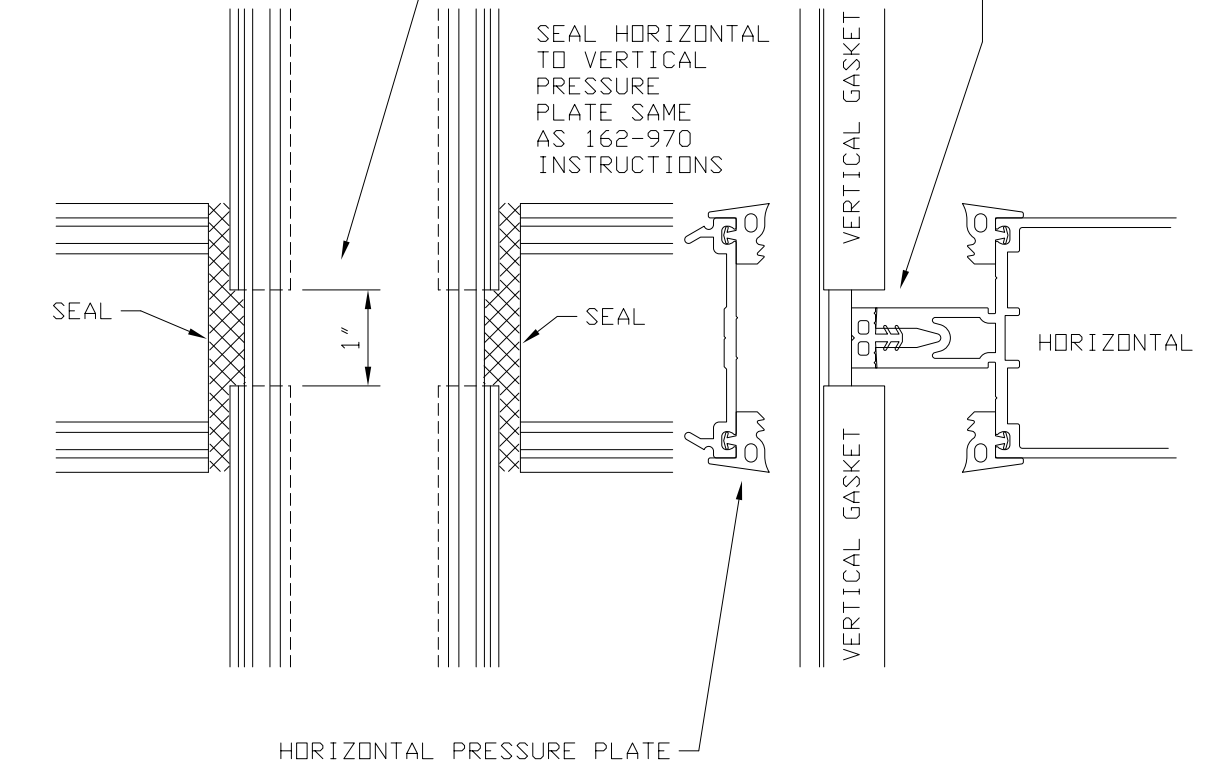
ALL SURFACES AND GROOVES MUST BE  
CLEANED PER THE SEALANT MANUFACTURER'S  
RECOMMENDATIONS.

JUST BEFORE INSTALLING JOINT PLUGS  
APPLY SEALANT AS SHOWN FILLING  
GASKET POCKET AND ADAPTER GROOVE.



INFILL NOT  
SHOWN FOR  
CLARITY

IMPORTANT  
EXTERIOR VERTICAL GASKETS MUST  
BE CUT TO STOP AND START AT  
HORIZONTAL TONGUE



<p>An Alcoa Company</p> <p>1600 SYS<sup>1</sup>/SYS<sup>2</sup></p> <p>INSTALLATION INSTRUCTIONS THRU HORIZ FRAME WITH THRU VERT PR PL</p> <p>PART NO. 162-984 1 OF 1</p>	95449-51
	5/31/01
	DRAWING:
	ORDER:
	SHT: